



US00D672636S

(12) **United States Design Patent**
Krumpe

(10) **Patent No.:** **US D672,636 S**

(45) **Date of Patent:** **** Dec. 18, 2012**

(54) **ROBE HOOK**

(75) Inventor: **Geraint Krumpe**, Chicago, IL (US)

(73) Assignee: **Liberty Hardware Mfg. Corp.**,
Winston-Salem, NC (US)

(**) Term: **14 Years**

(21) Appl. No.: **29/414,324**

(22) Filed: **Feb. 28, 2012**

(51) **LOC (9) Cl.** **08-05**

(52) **U.S. Cl.** **D8/367; D6/323**

(58) **Field of Classification Search** D8/367,
D8/353, 354, 349, 356, 352, 351, 381; D6/323;
248/301, 304, 214, 215

See application file for complete search history.

(56) **References Cited**

U.S. PATENT DOCUMENTS

D343,066 S *	1/1994	Hsu	D6/323
D472,059 S *	3/2003	Hoernig	D6/323
D472,061 S *	3/2003	Hoernig	D6/323
D526,132 S *	8/2006	Solowiej	D6/323
D526,494 S *	8/2006	Fields	D6/323
D535,110 S *	1/2007	Hoernig	D6/323
D548,469 S *	8/2007	Hoernig	D6/323
D563,109 S *	3/2008	Krumpe et al.	D6/323

D568,621 S *	5/2008	Krumpe et al.	D6/323
D580,186 S *	11/2008	Krumpe et al.	D6/323
D607,649 S *	1/2010	Koury	D6/323
D630,027 S *	1/2011	Romero	D6/323

* cited by examiner

Primary Examiner — Cynthia Underwood

(74) *Attorney, Agent, or Firm* — Lora J. Graentzdoerffer;
Nirav D. Parikh; Edgar A. Zarins

(57) **CLAIM**

The ornamental design for a robe hook, as shown and described.

DESCRIPTION

FIG. 1 is a perspective view of a robe hook showing our design;

FIG. 2 is a front elevational view thereof;

FIG. 3 is a rear elevational view thereof;

FIG. 4 is a top plan view thereof;

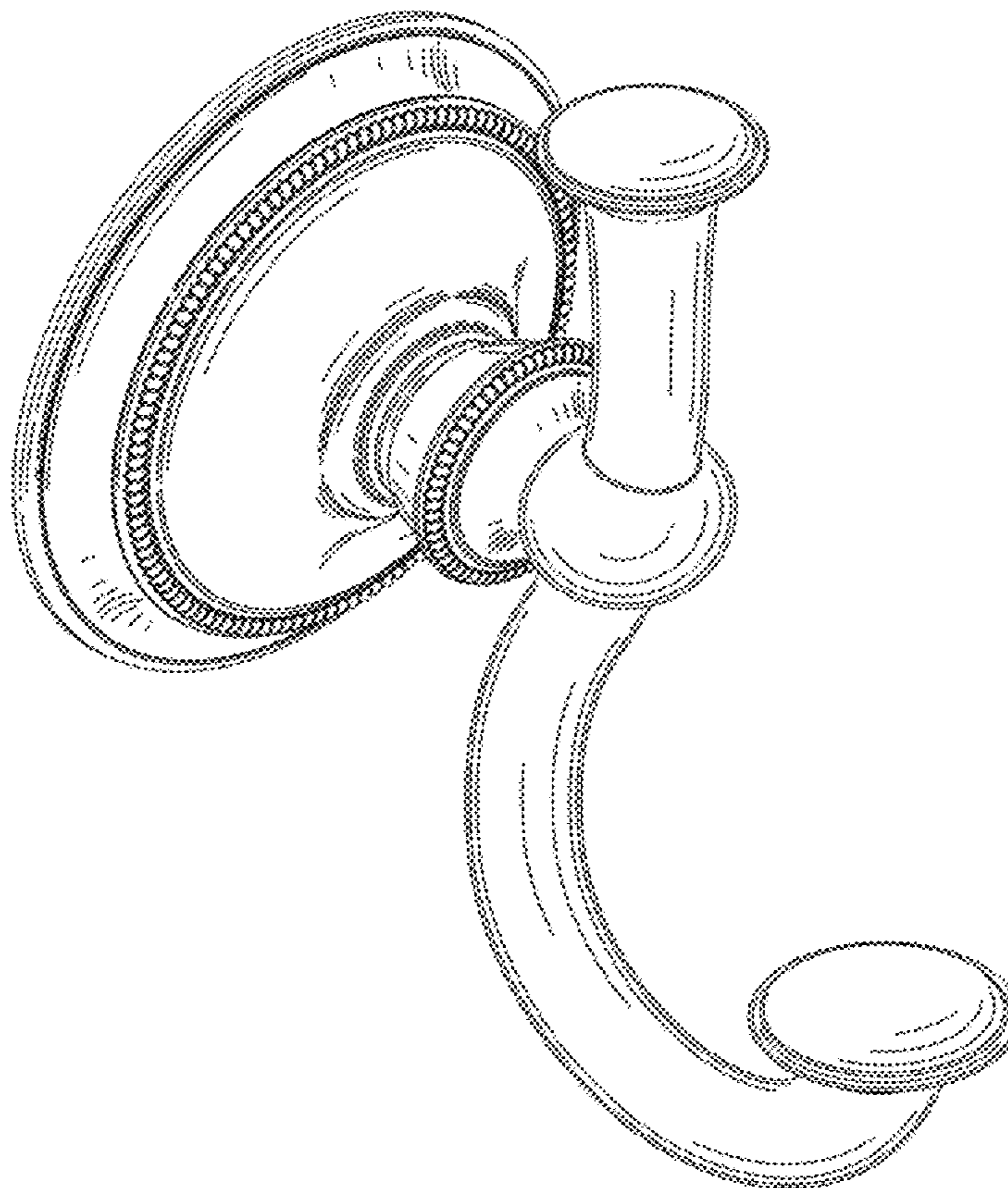
FIG. 5 is a bottom plan view thereof;

FIG. 6 is a right side elevational view thereof; and,

FIG. 7 is a left side elevational view thereof.

The broken-line disclosure in the views represents portions of the article in which the claimed design is embodied, but which form no part of the claimed design.

1 Claim, 7 Drawing Sheets



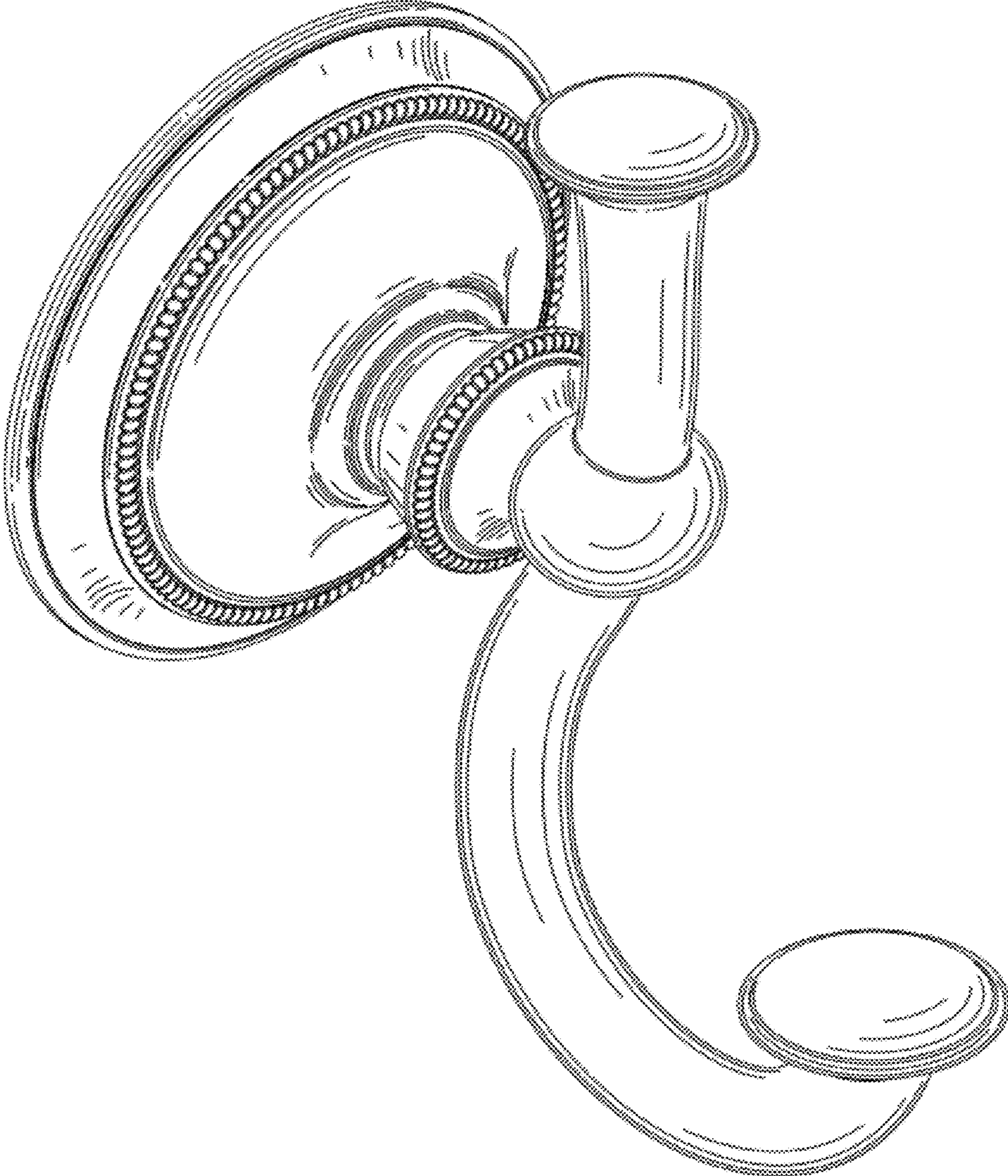


FIG. 1

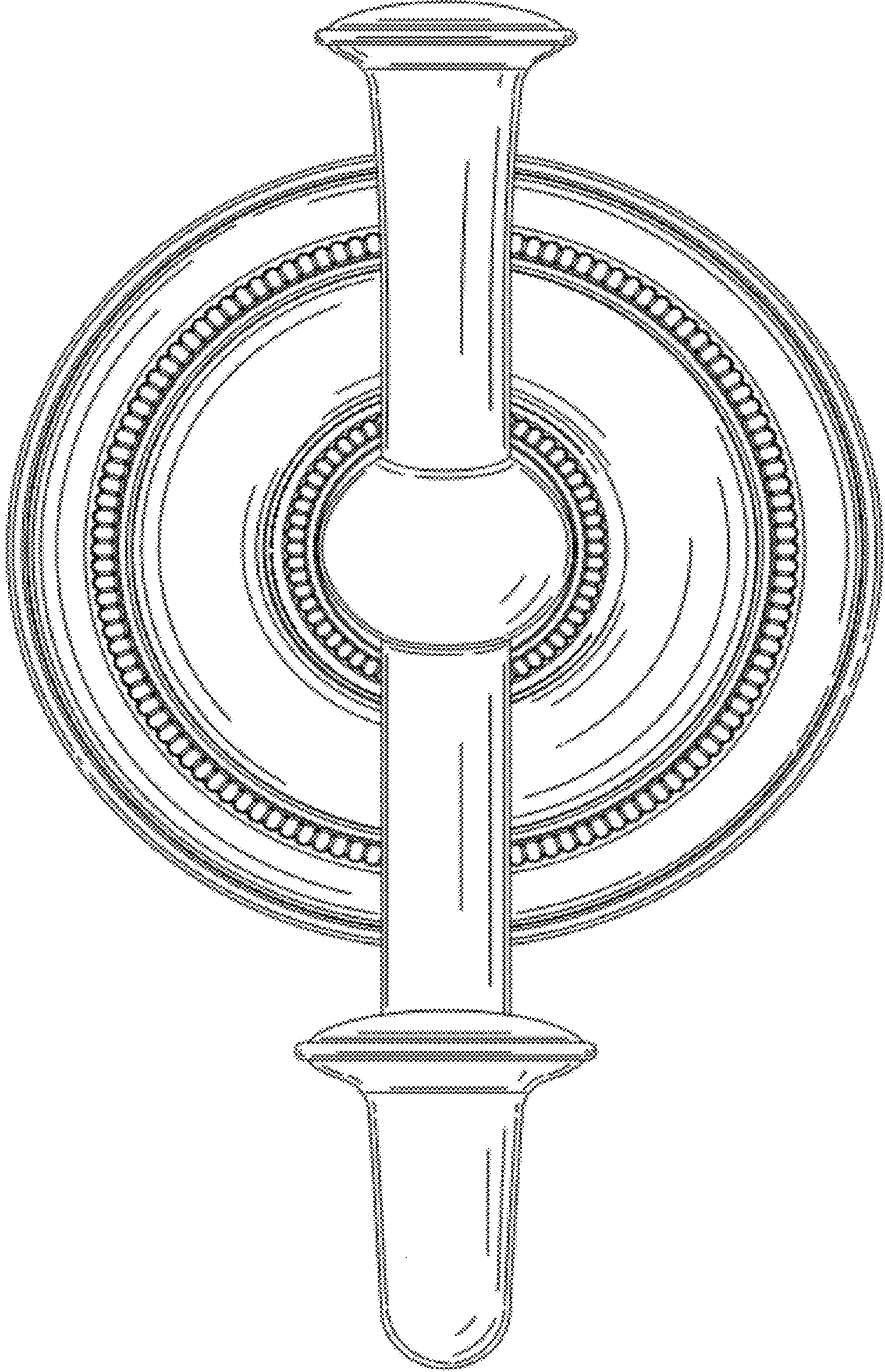


FIG. 2

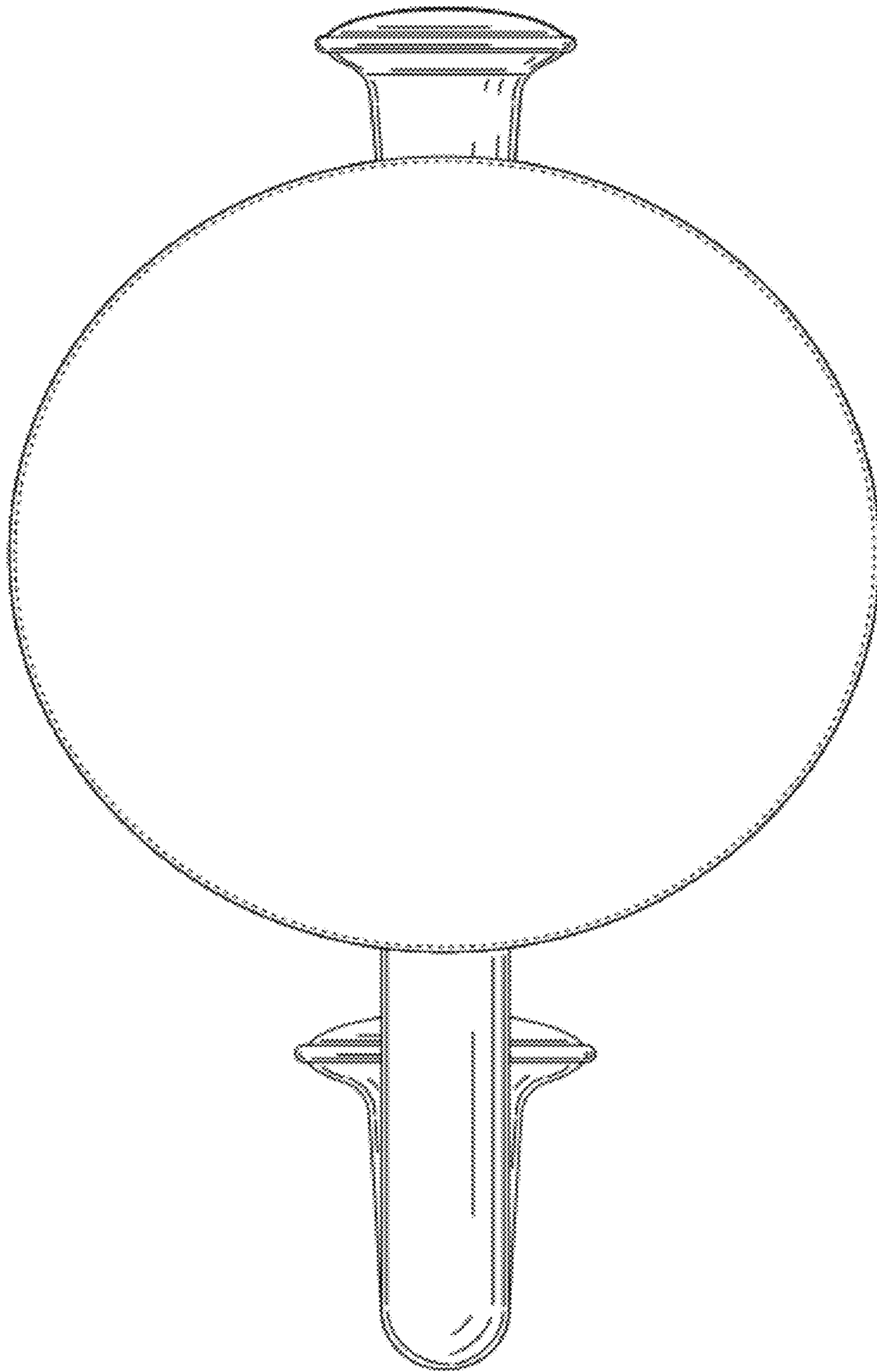


FIG. 3

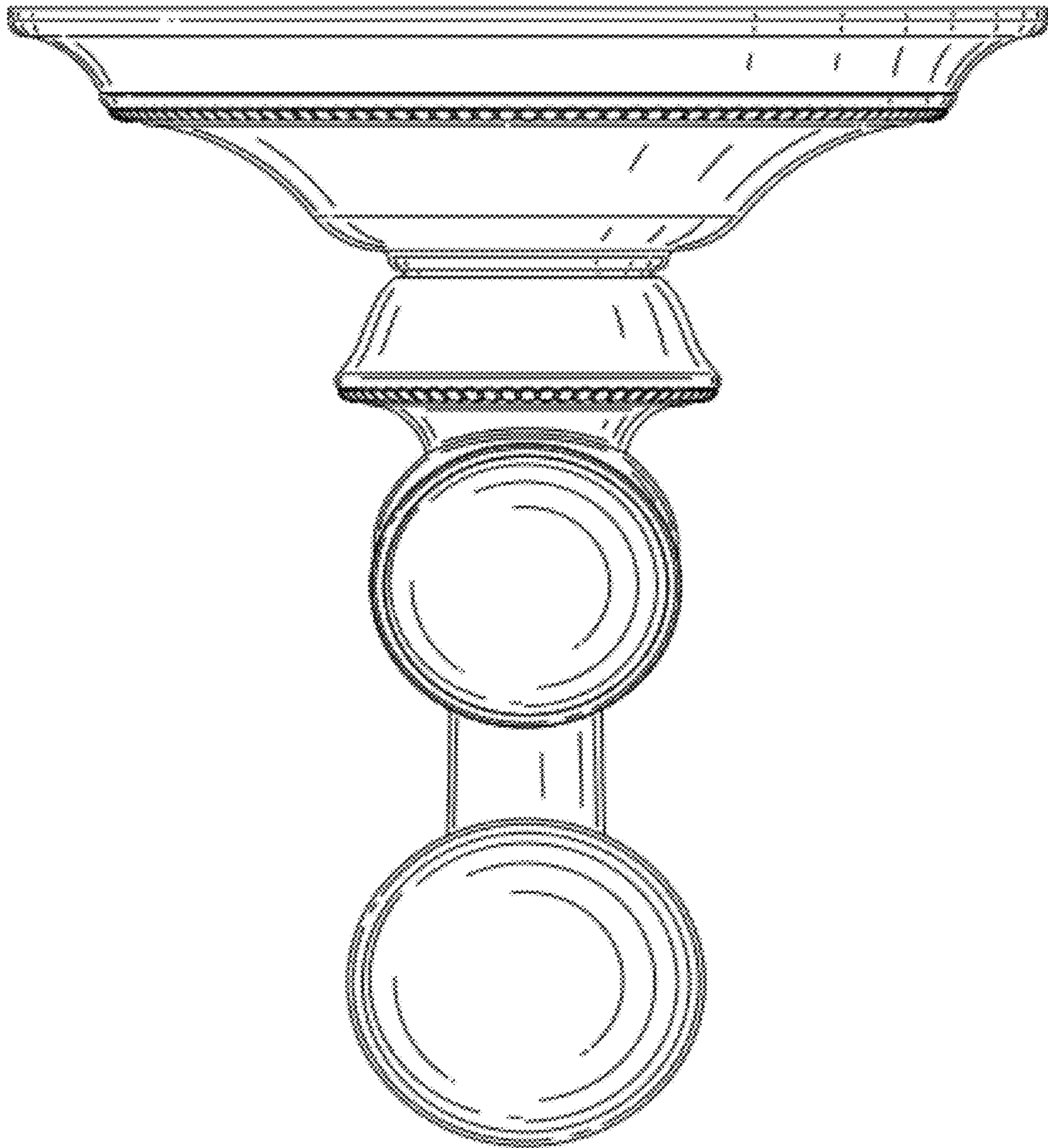


FIG. 4

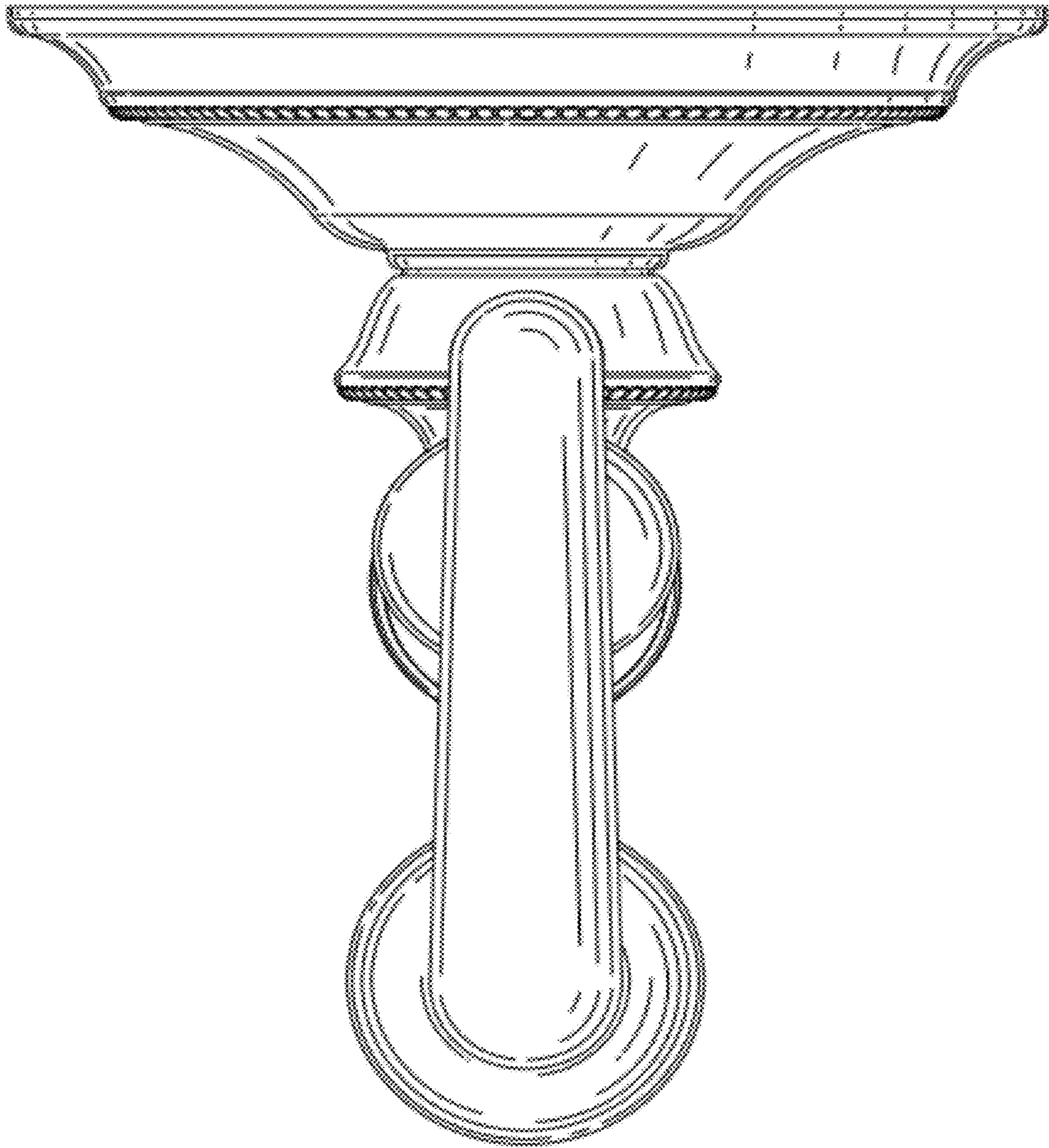


FIG. 5

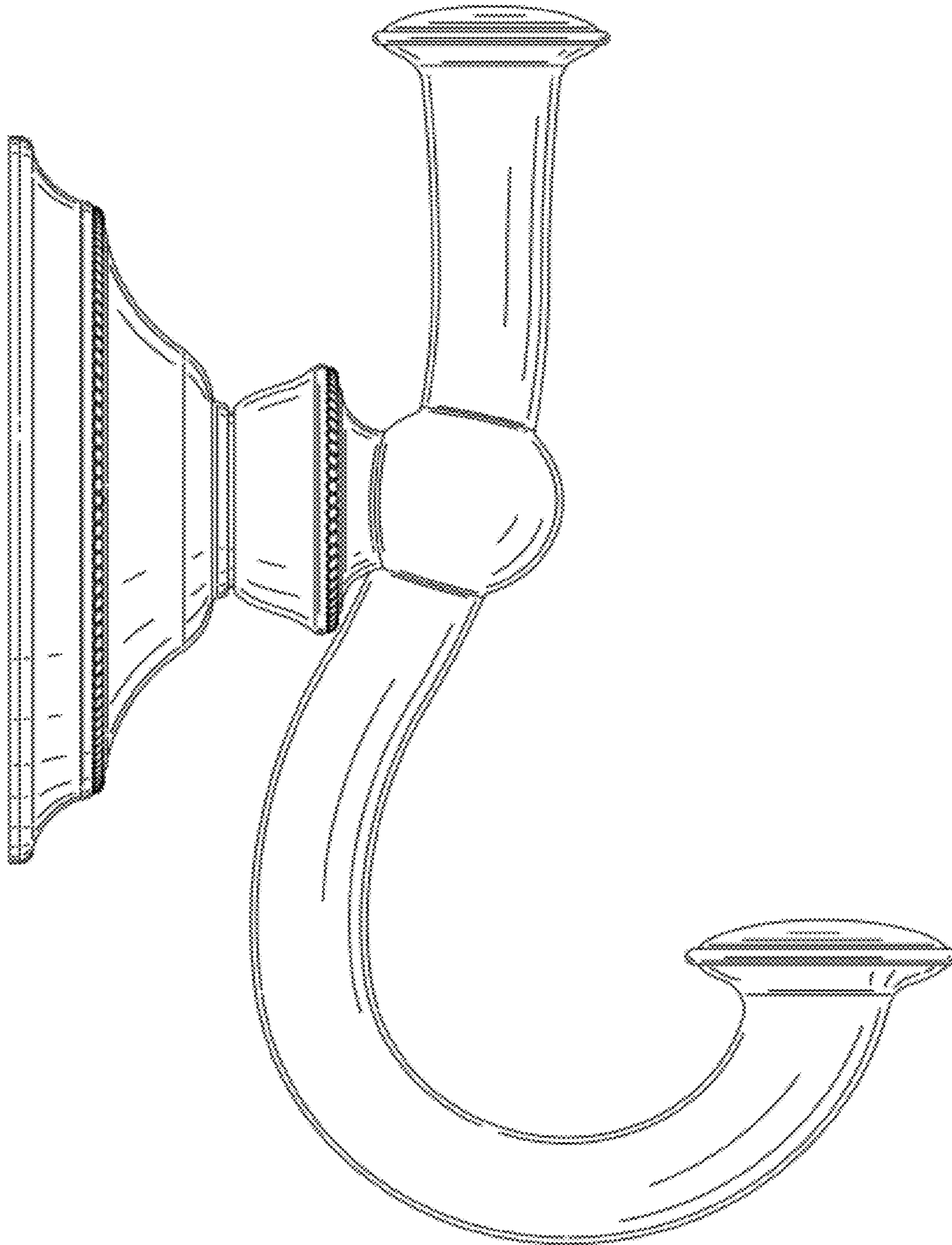


FIG. 6

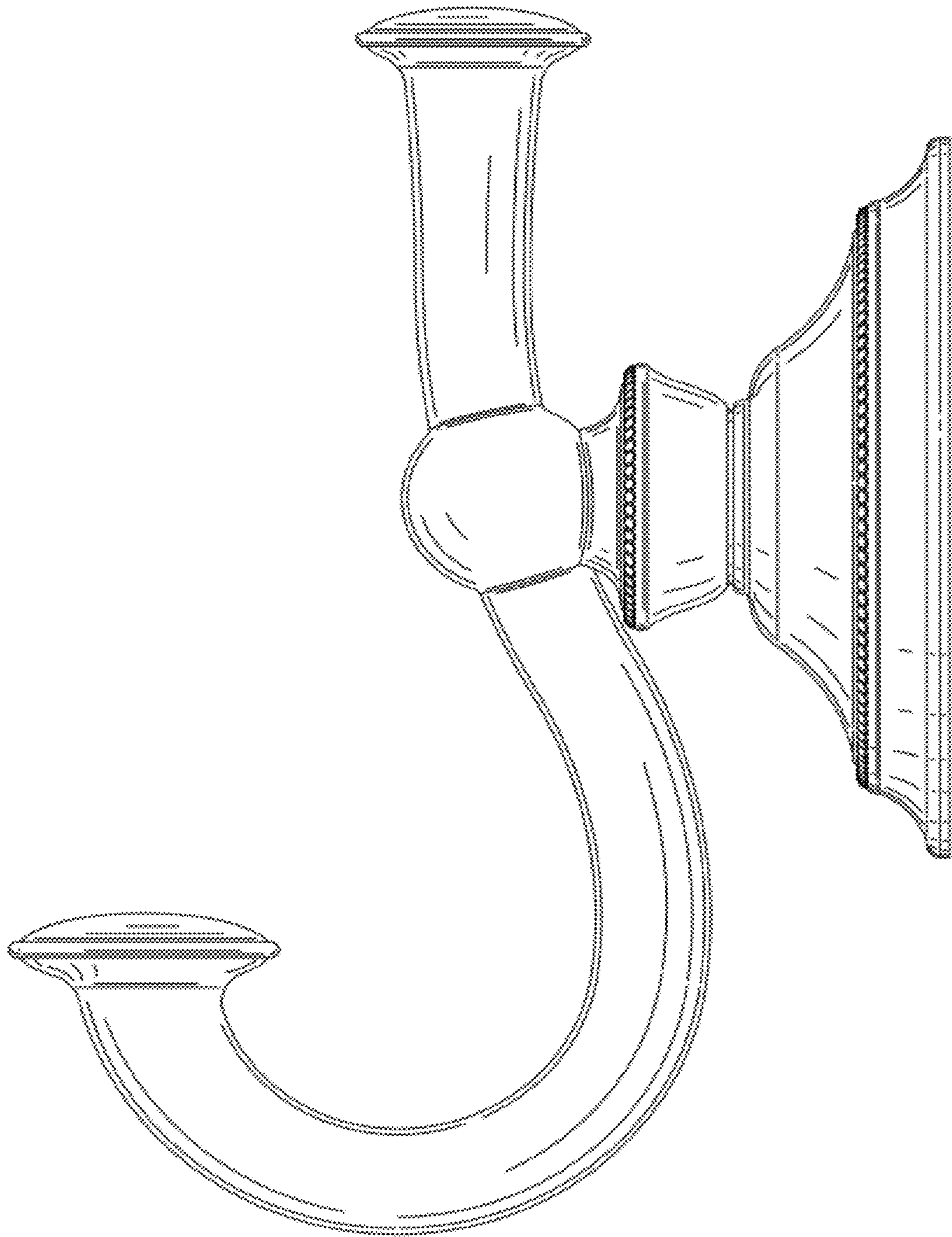


FIG. 7