



US00D672634S

(12) **United States Design Patent**
Phillips et al.

(10) **Patent No.:** **US D672,634 S**
(45) **Date of Patent:** **** Dec. 18, 2012**

(54) **WALL MOUNTABLE HOSE REEL**

(75) Inventors: **William J. Phillips**, Batavia, IL (US);
Michael R. Vogler, Oswego, IL (US);
Torrence Anderson, Overland Park, KS (US)

(73) Assignee: **Suncast Technologies, LLC**, Palm Beach Gardens, FL (US)

(**) Term: **14 Years**

(21) Appl. No.: **29/400,815**

(22) Filed: **Sep. 1, 2011**

(51) **LOC (9) Cl.** **08-05**

(52) **U.S. Cl.** **D8/358**

(58) **Field of Classification Search** D8/356,
D8/359; 137/355.27; 248/75

See application file for complete search history.

(56) **References Cited**

U.S. PATENT DOCUMENTS

| | | | | |
|-----------|------|---------|----------------|------------|
| 5,657,789 | A * | 8/1997 | Tisbo et al. | 137/355.27 |
| 6,478,265 | B2 * | 11/2002 | Leach | 248/75 |
| D623,503 | S * | 9/2010 | Hatcher et al. | D8/358 |
| D636,253 | S * | 4/2011 | Hatcher et al. | D8/356 |

* cited by examiner

Primary Examiner — Susan Bennett Hattan

Assistant Examiner — Barbara B Lohr

(74) *Attorney, Agent, or Firm* — McHale & Slavin, P.A.

(57) **CLAIM**

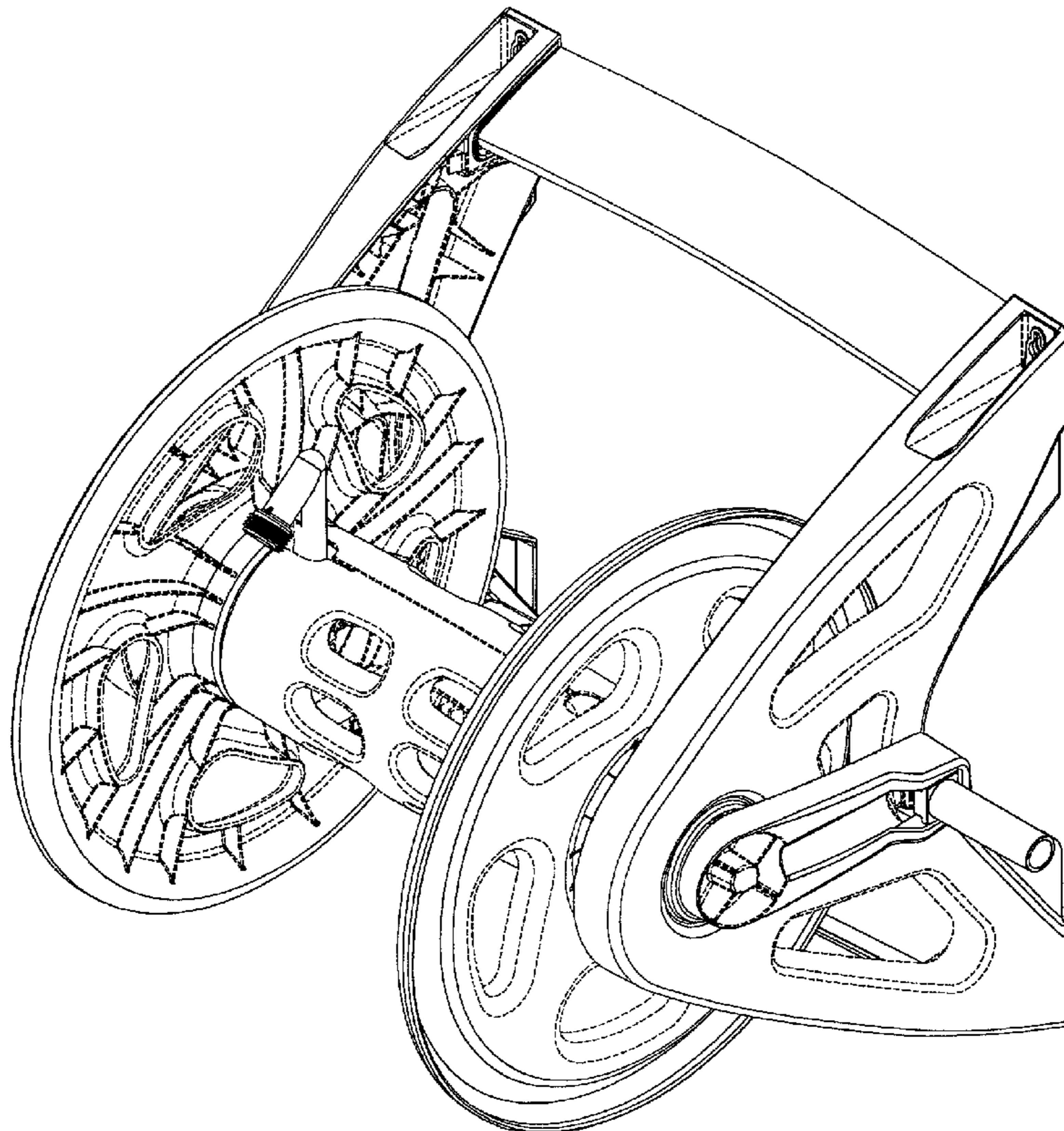
The ornamental design for a wall mountable hose reel, as shown and described.

DESCRIPTION

FIG. 1 is a top right perspective view of the wall mountable hose reel of the instant invention;
FIG. 2 is a top left perspective view thereof;
FIG. 3 is a bottom left perspective view thereof;
FIG. 4 is a bottom right perspective view thereof;
FIG. 5 is a front view thereof;
FIG. 6 is a right side view thereof;
FIG. 7 is a left side view thereof;
FIG. 8 is a bottom view thereof; and,
FIG. 9 is a top view thereof.

The portions of the figures shown in broken lines illustrate unclaimed portions of the wall mountable hose reel and form no part of the claimed design.

1 Claim, 9 Drawing Sheets



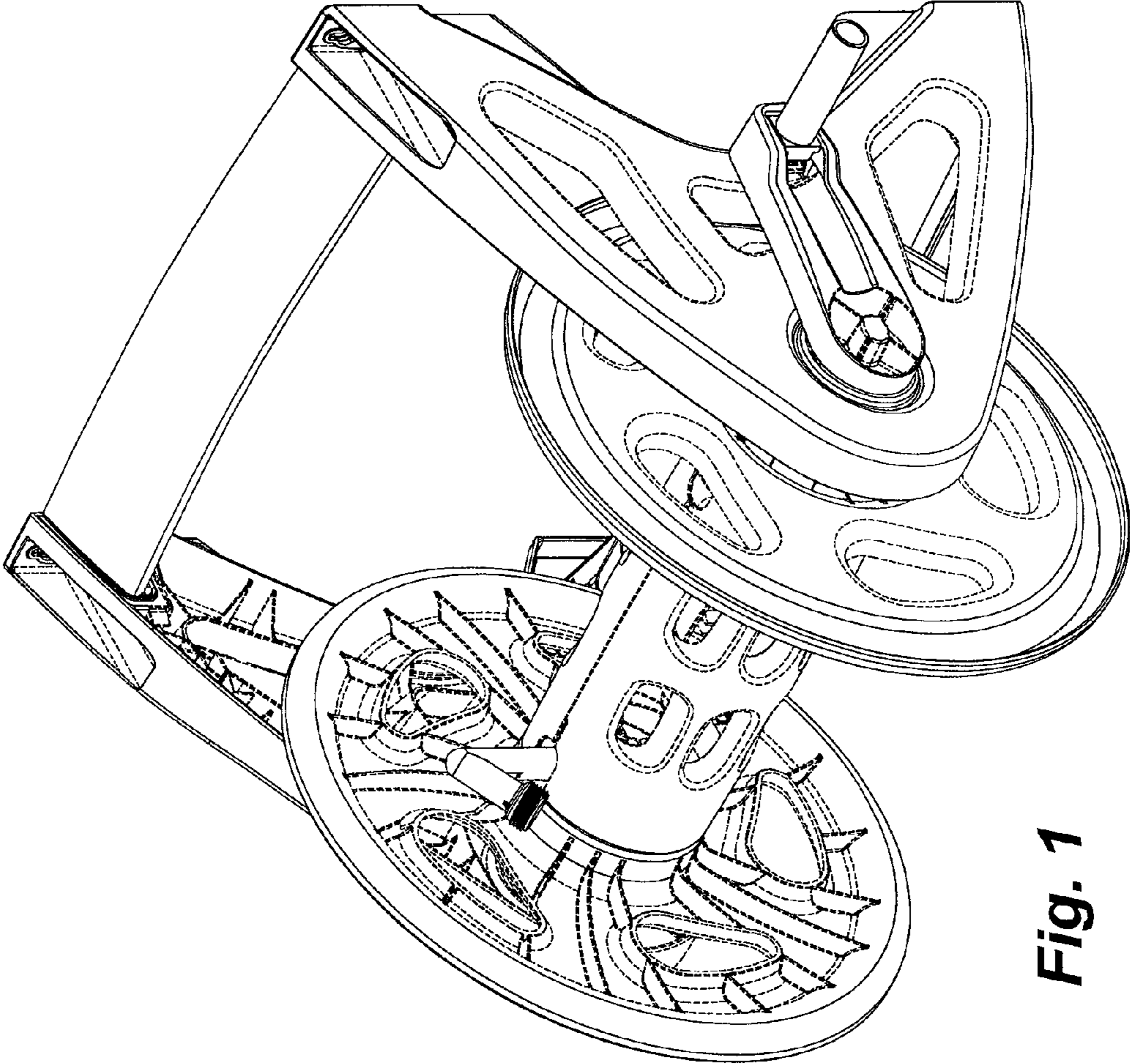


Fig. 1

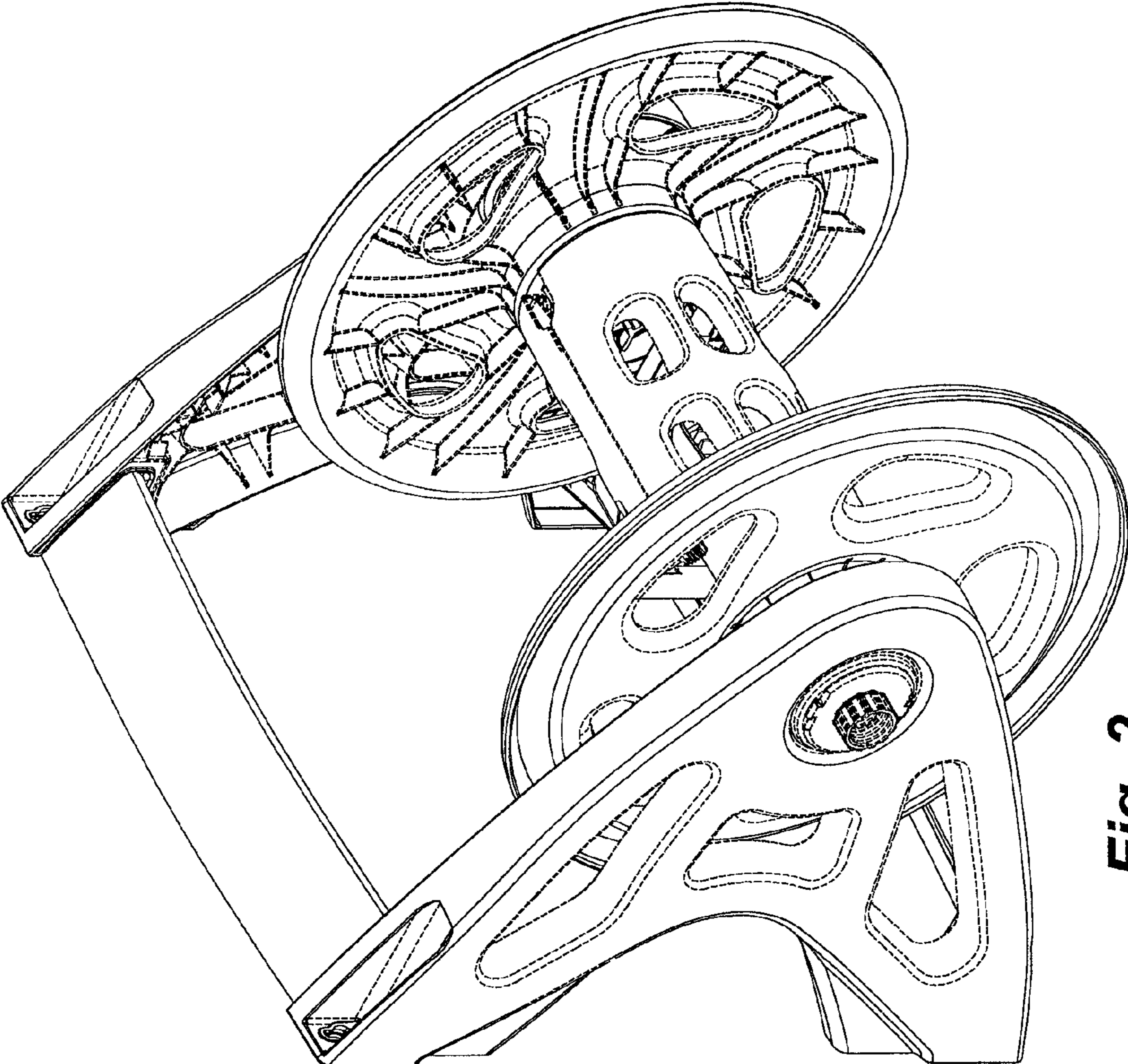


Fig. 2

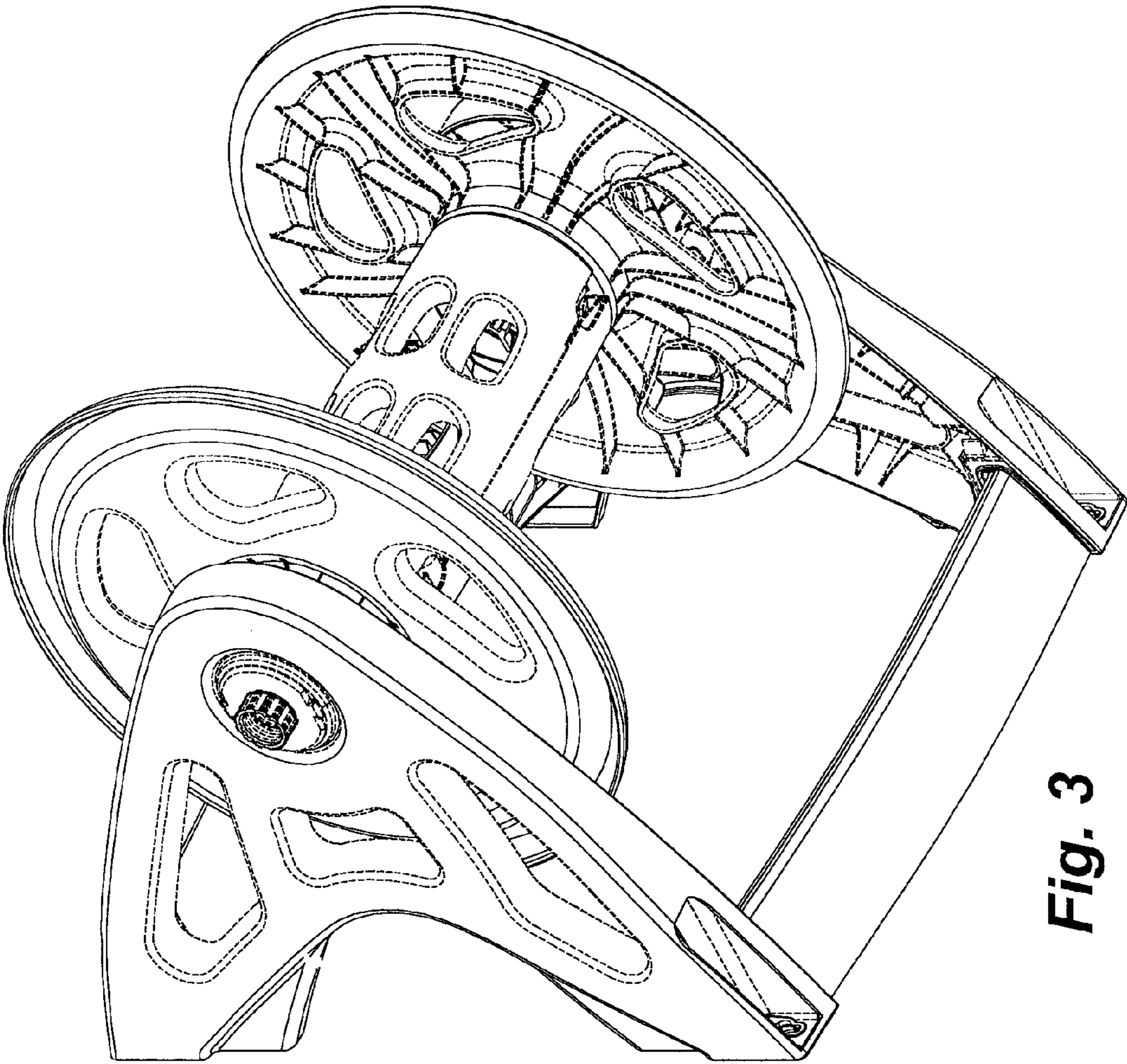


Fig. 3

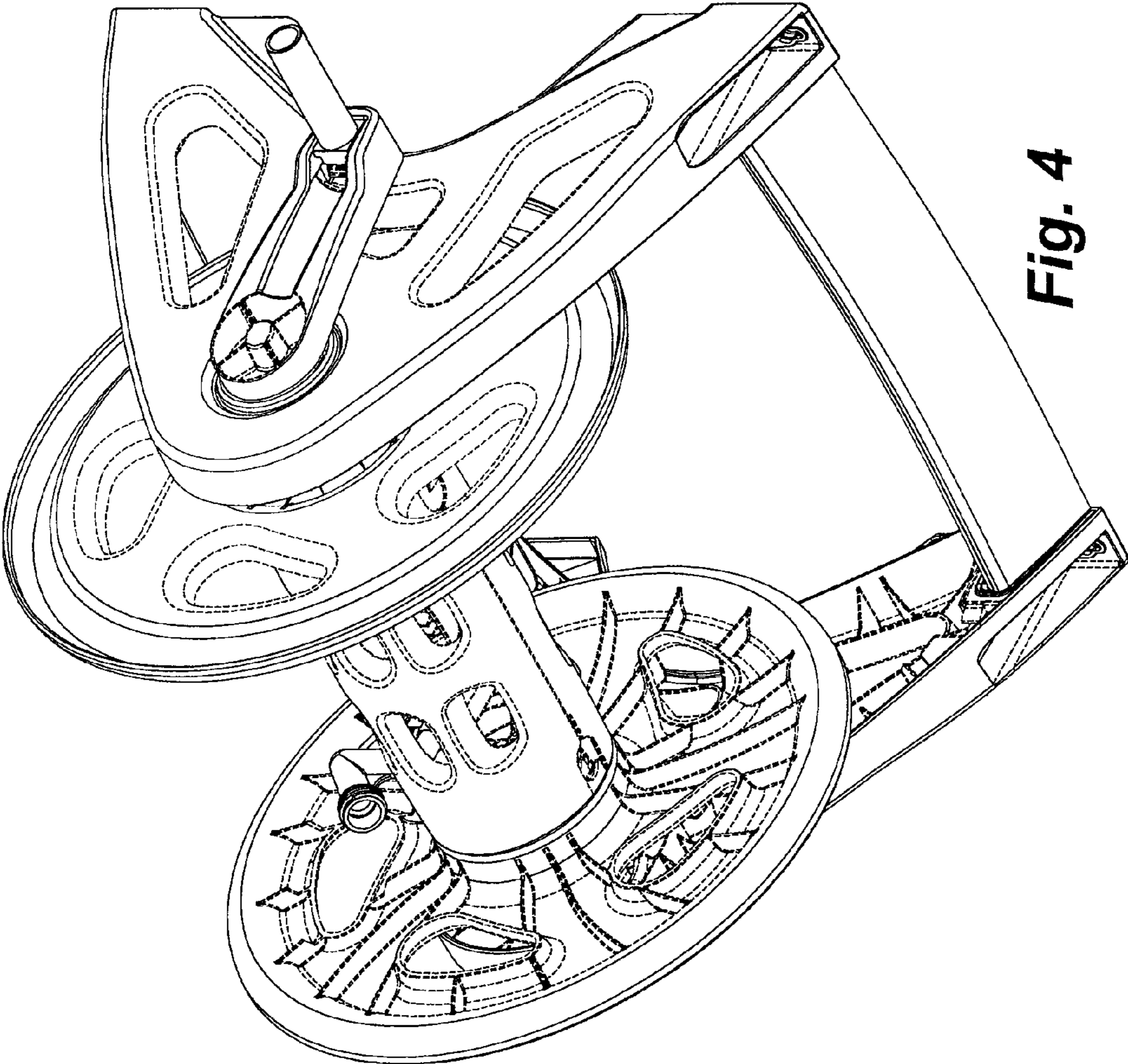


Fig. 4

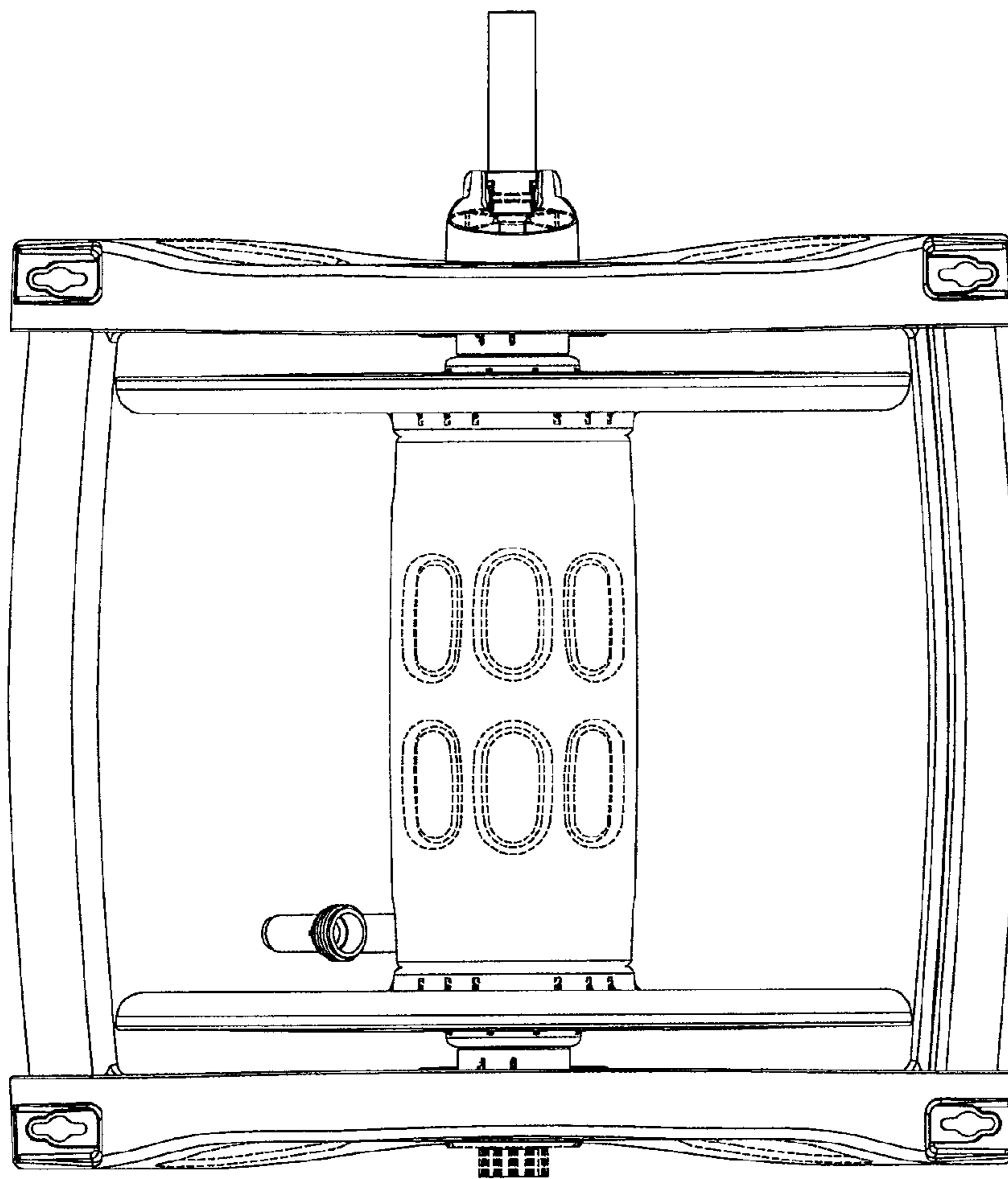


Fig. 5

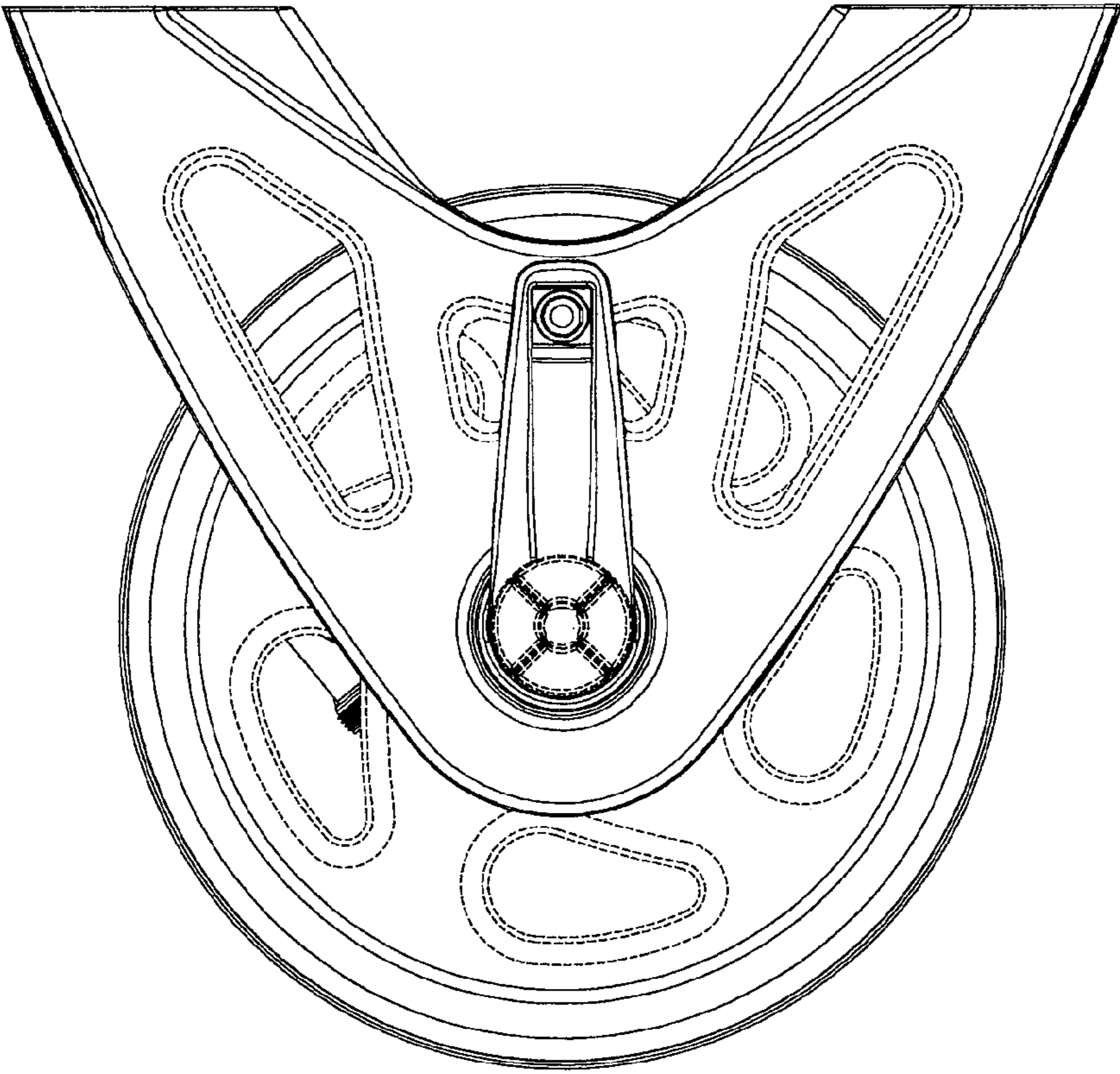


Fig. 6

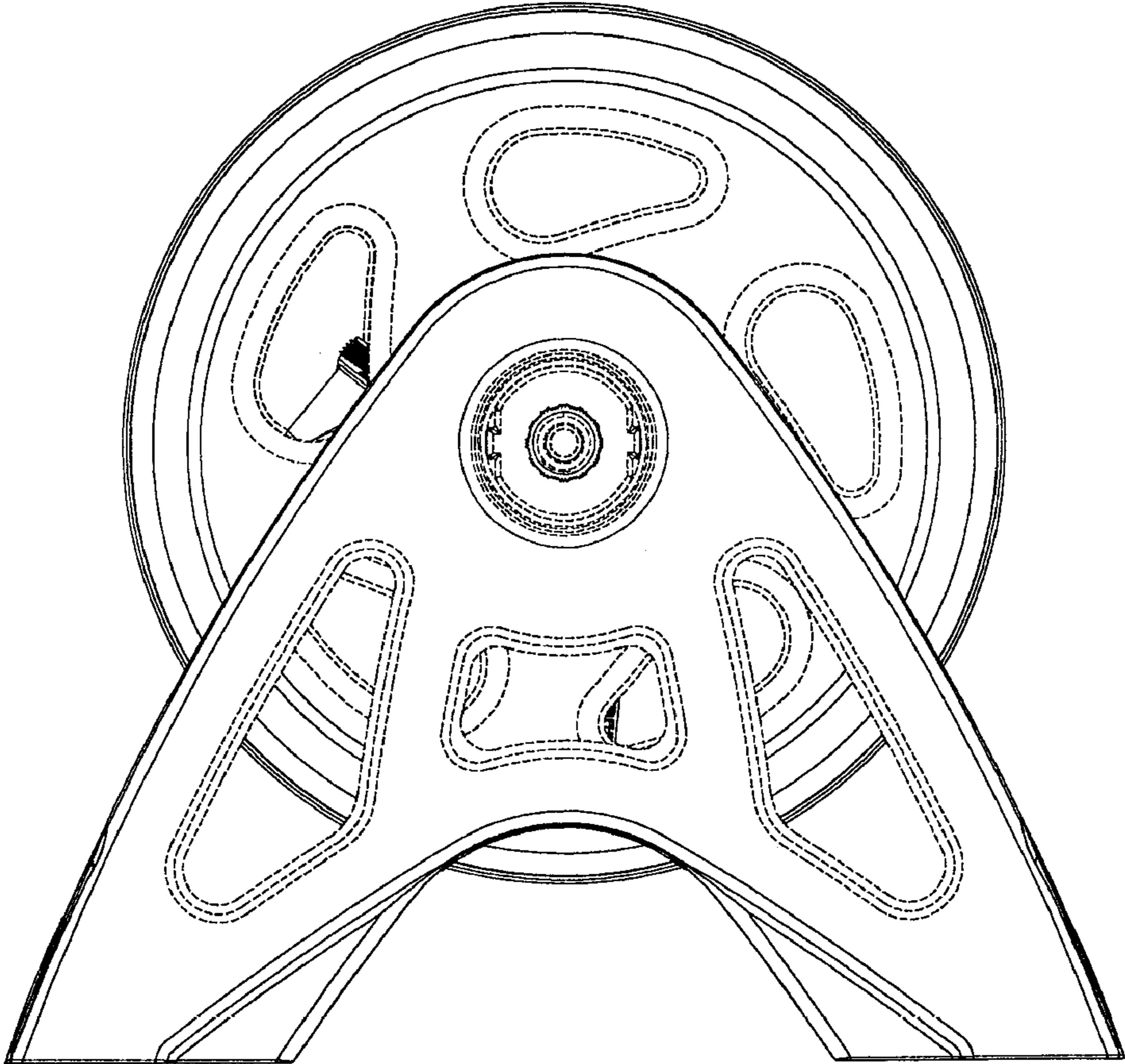


Fig. 7

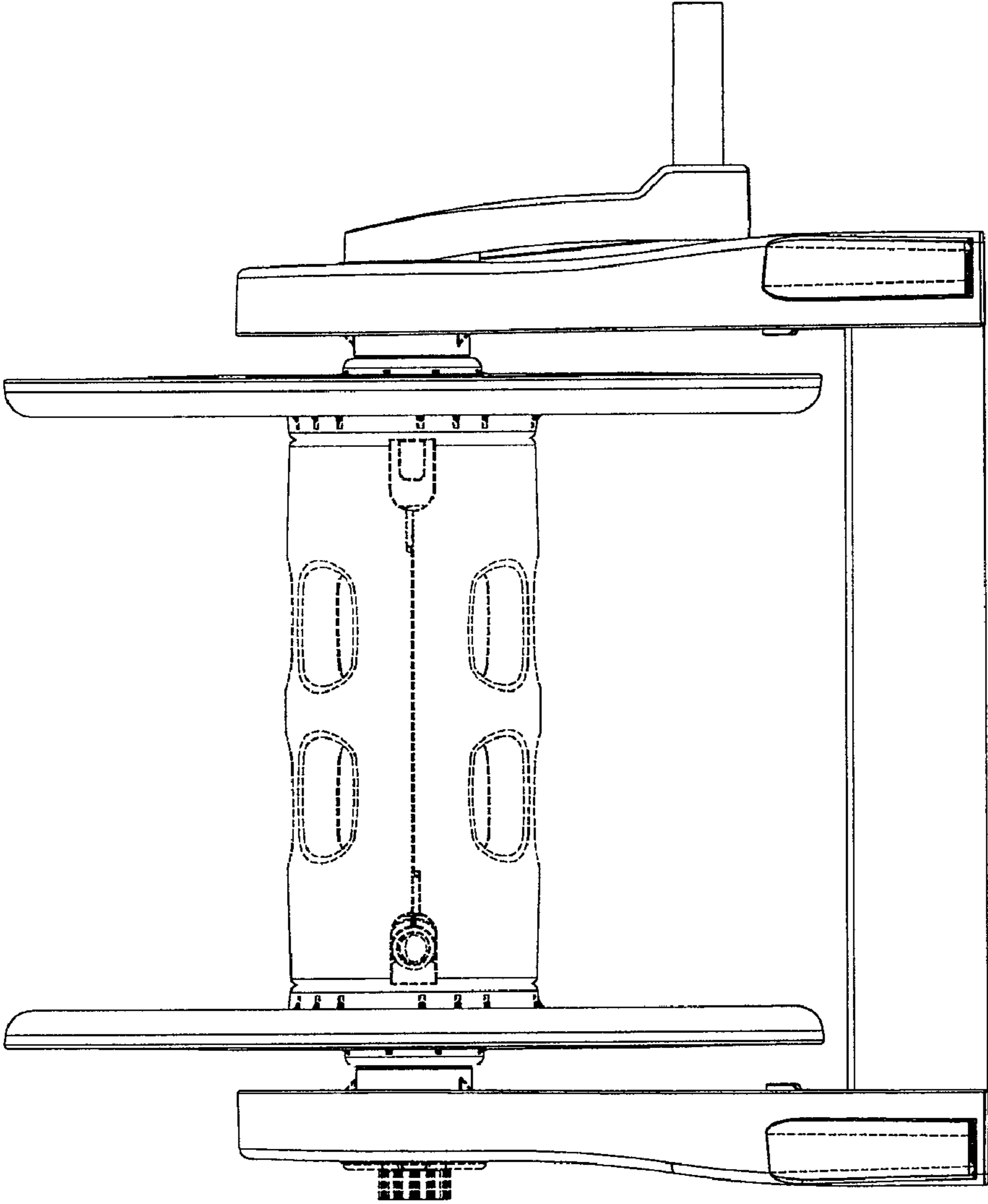


Fig. 8

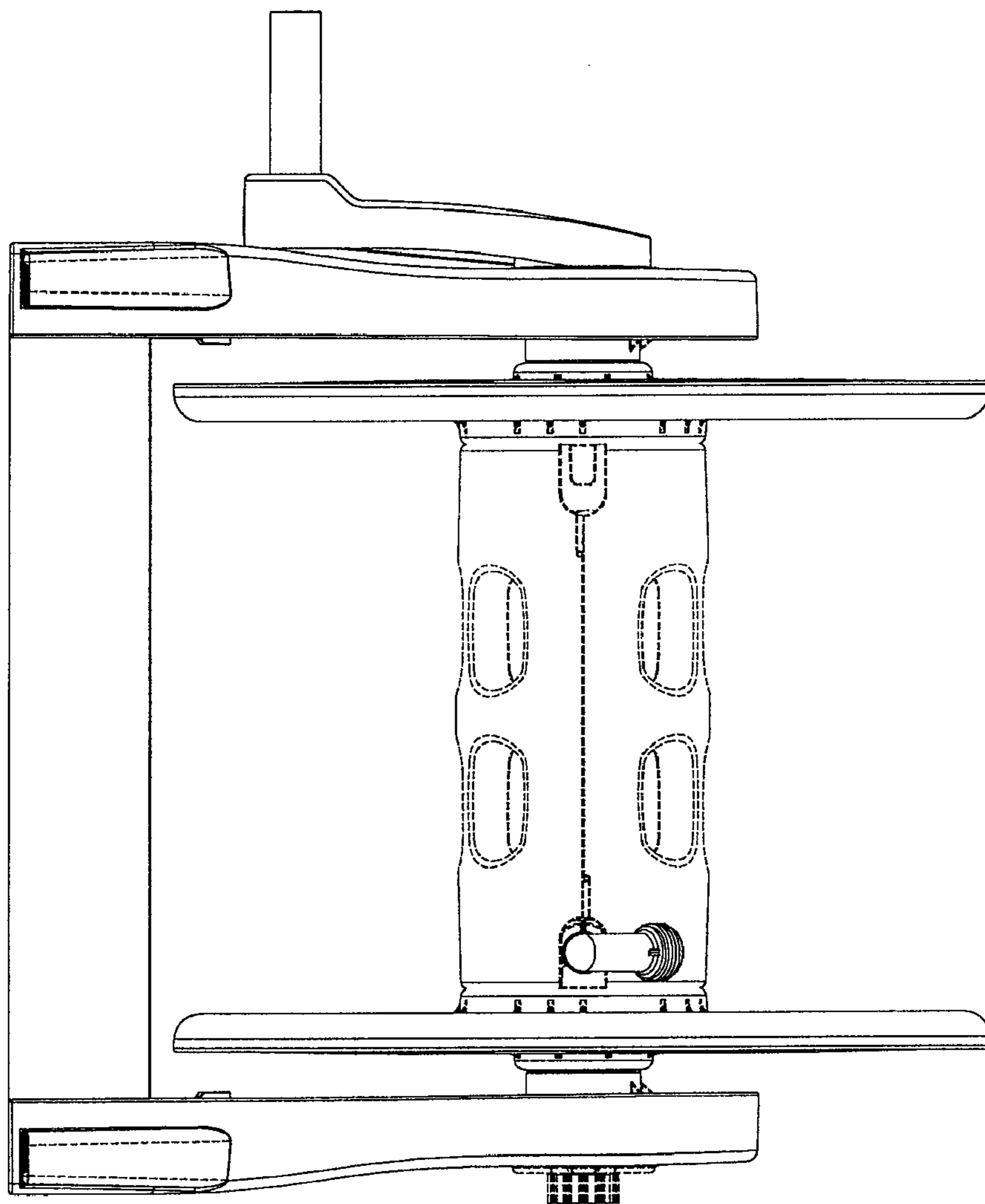


Fig. 9