



US00D672633S

(12) **United States Design Patent**
Aspestequia Martinez et al.

(10) **Patent No.:** **US D672,633 S**
(45) **Date of Patent:** **** Dec. 18, 2012**

(54) **FURNITURE COMPONENT**

(75) Inventors: **Oscar Aspestequia Martinez,**
Sarriguren (ES); **Ismael Bernaola**
Olivares, Sarriguren (ES); **Francisco**
Javier Ullan Roldan, Sarriguren (ES)

(73) Assignee: **Ingeteam Power Technology, S.A.,**
Zamudio, Bizkaia (ES)

(**) Term: **14 Years**

(21) Appl. No.: **29/406,195**

(22) Filed: **Nov. 10, 2011**

(30) **Foreign Application Priority Data**

May 25, 2011 (EM) 001868480-0002

(51) **LOC (9) Cl.** **08-05**

(52) **U.S. Cl.** **D8/354; D8/349**

(58) **Field of Classification Search** D8/349,
D8/354, 366, 374, 381, 382, 400, 394, 395,
D8/356, 380, 371; 248/300, 222.14, 223.14,
248/224.61, 224.7, 316.1, 237, 309.1; 312/111,
312/140; 403/326, 381, 14, 169, 167; 52/238.1,
52/243.1, 394, 395, 578, 579, 584.1, 589.1,
52/188, 182, 191, 702, 712, 745.06, 189,
52/506.5, 586.1; 29/428, 525.01, 464, 14,
29/208, 205

See application file for complete search history.

(56) **References Cited**

U.S. PATENT DOCUMENTS

4,122,581 A * 10/1978 Pittasch 16/252
4,568,050 A * 2/1986 Radoy et al. 248/223.41

5,419,064 A * 5/1995 Bennett 40/782
D387,970 S * 12/1997 Enslin D8/349
6,082,837 A * 7/2000 Battochio et al. 312/140
7,252,273 B2 * 8/2007 Lewellen et al. 248/300
7,434,304 B2 * 10/2008 Owens 29/525.01
D592,487 S * 5/2009 Tedesco et al. D8/349
D628,539 S * 12/2010 Tezak et al. D13/152
D647,385 S * 10/2011 Watts D8/349
D656,393 S * 3/2012 Honda D8/382
8,162,415 B2 * 4/2012 Hagele et al. 312/198
2001/0042286 A1 * 11/2001 Henriott et al. 16/29
2002/0136591 A1 * 9/2002 Callahan 403/188
2006/0082266 A1 * 4/2006 Le et al. 312/319.1
2007/0011859 A1 * 1/2007 Owens et al. 29/434
2007/0063118 A1 * 3/2007 Owens et al. 248/300
2010/0034582 A1 * 2/2010 Howlett 403/333
2011/0302867 A1 * 12/2011 Parshad 52/582.1

* cited by examiner

Primary Examiner — Mark Goodwin

(74) *Attorney, Agent, or Firm* — Ostrolenk Faber LLP

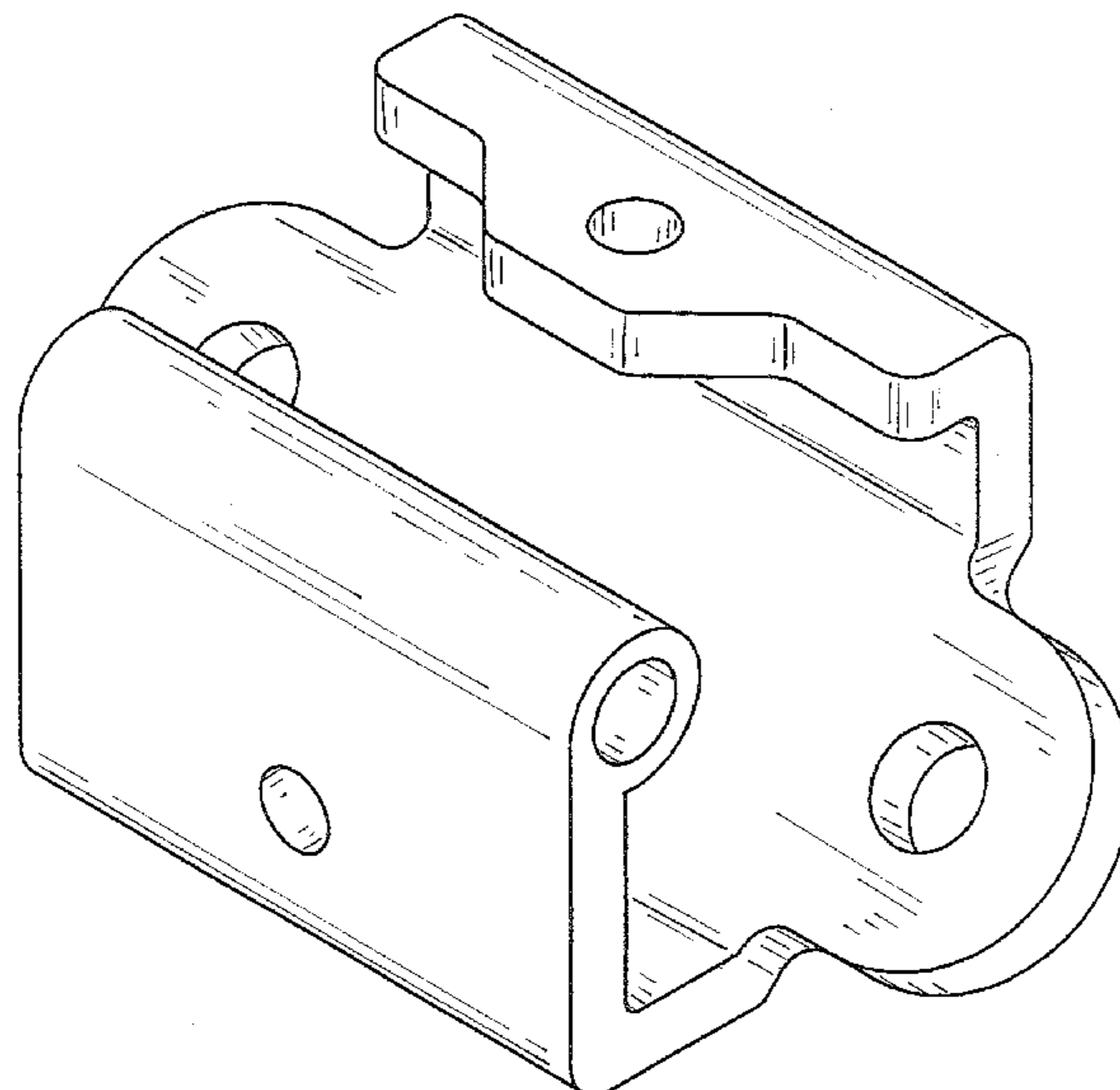
(57) **CLAIM**

The ornamental design for furniture component, as shown and described.

DESCRIPTION

FIG. 1 is a front perspective view of furniture component showing our new design;
FIG. 2 is a front plan view thereof;
FIG. 3 is a rear view thereof;
FIG. 4 is a top view thereof;
FIG. 5 is a bottom view thereof;
FIG. 6 is left side view thereof; and,
FIG. 7 is a right side view thereof.

1 Claim, 6 Drawing Sheets



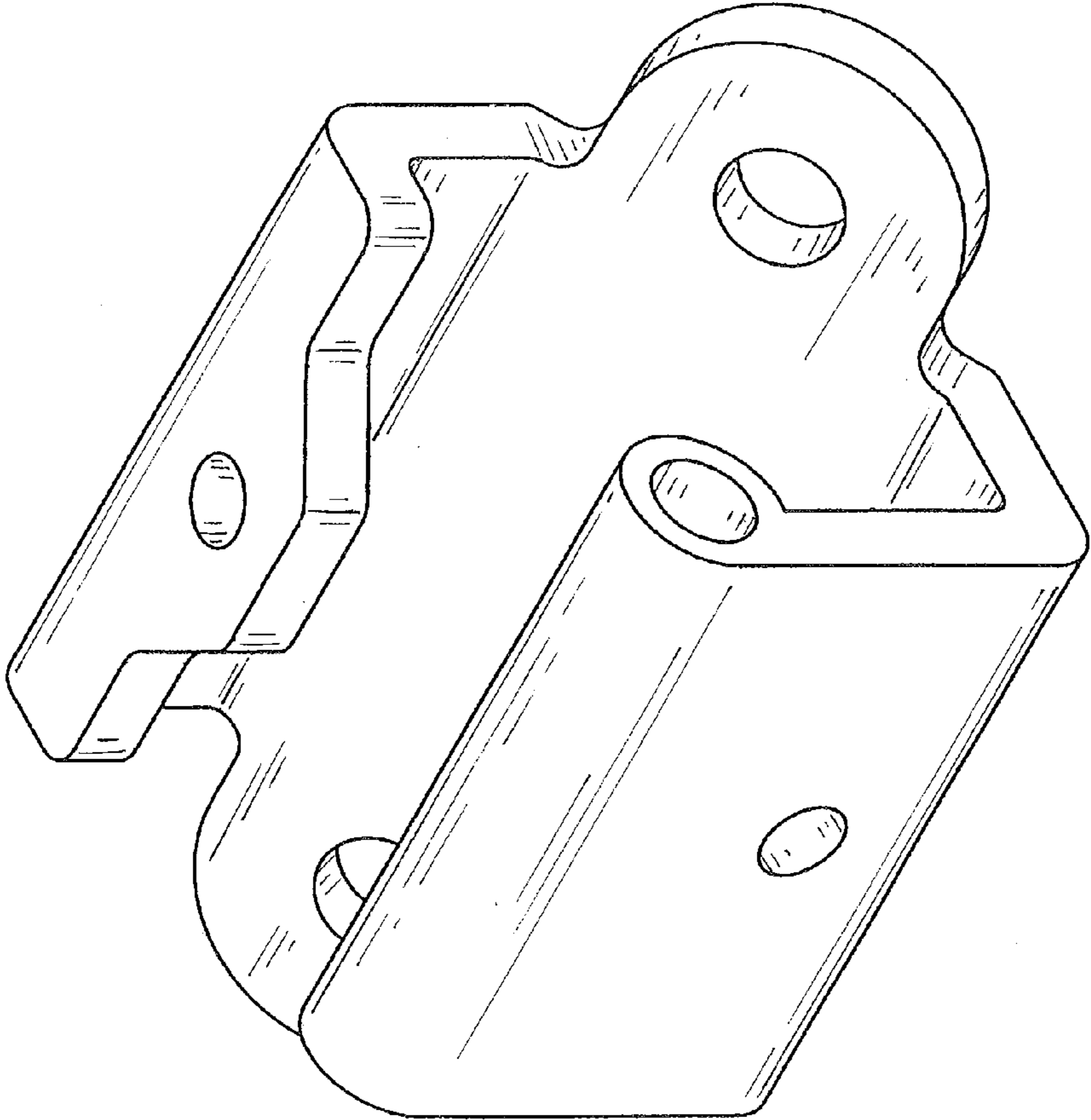


FIG. 1

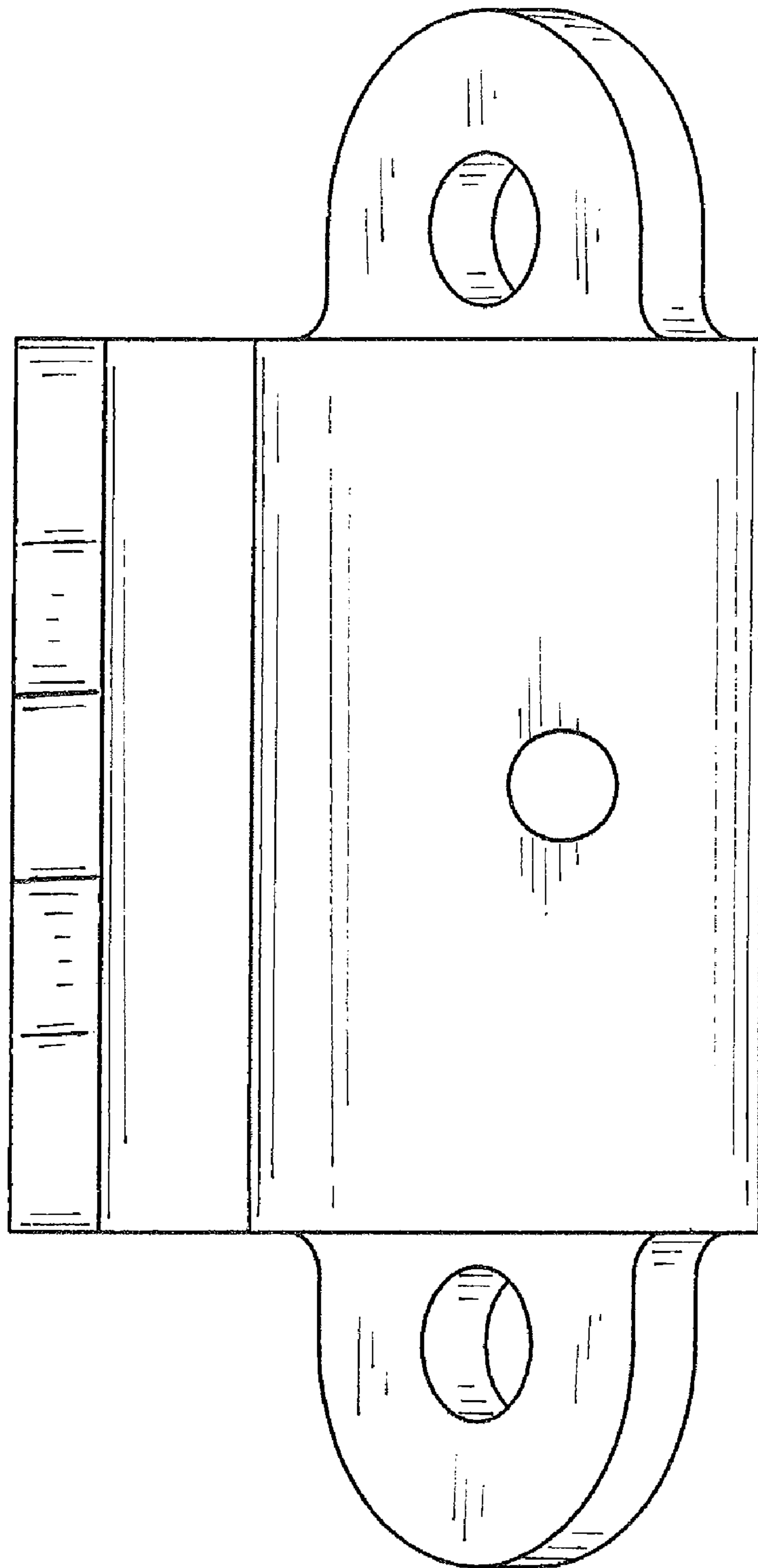


FIG. 2

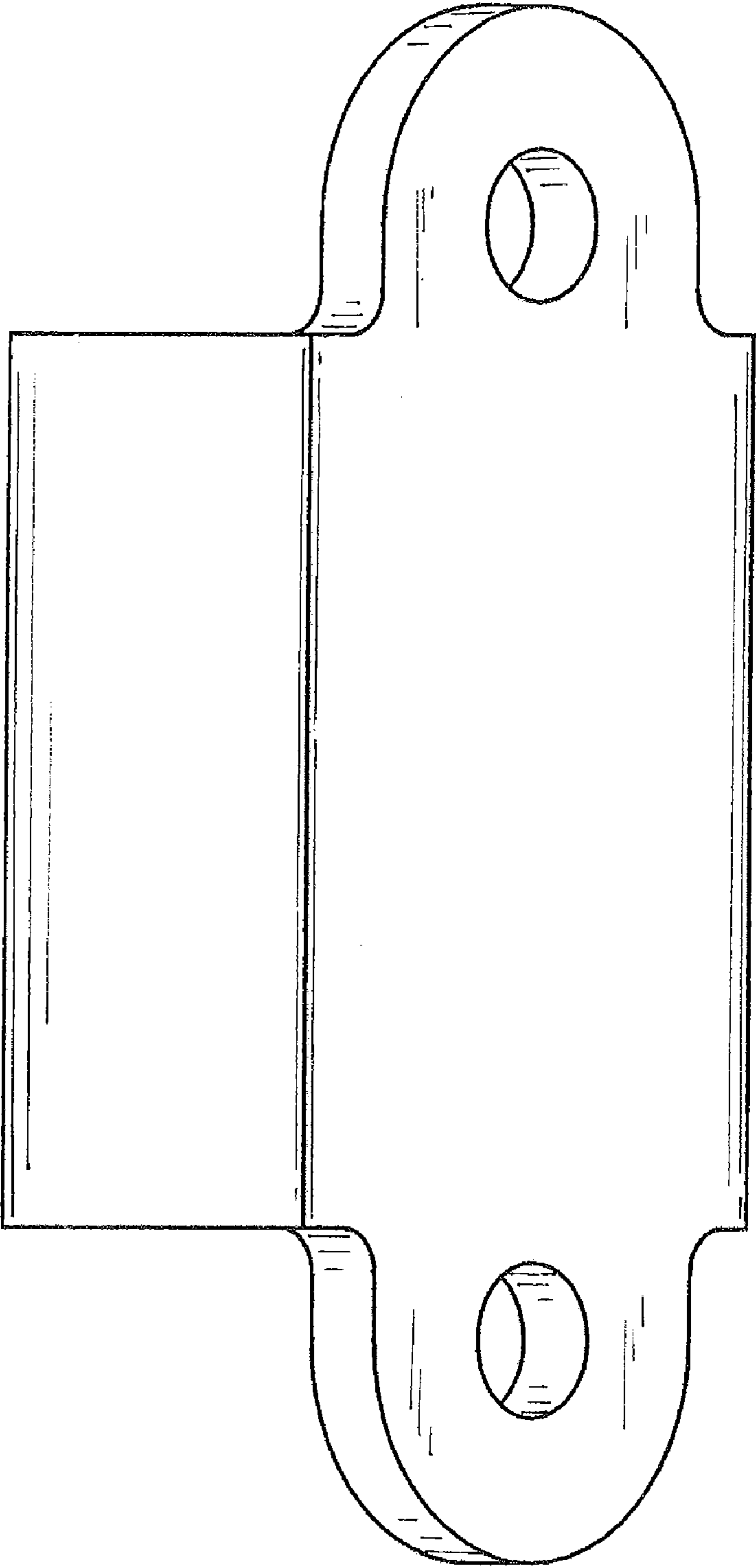


FIG. 3

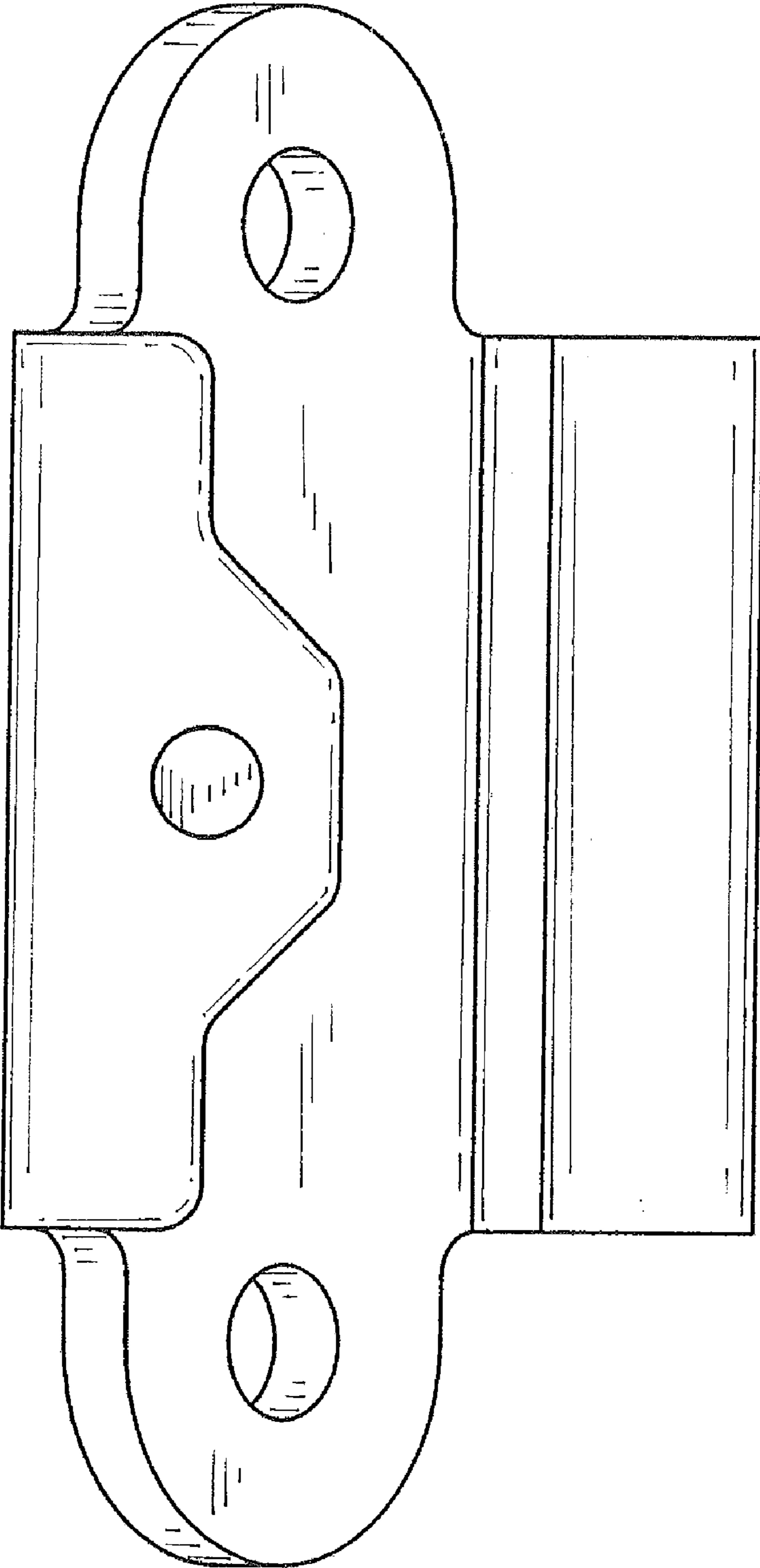


FIG. 4

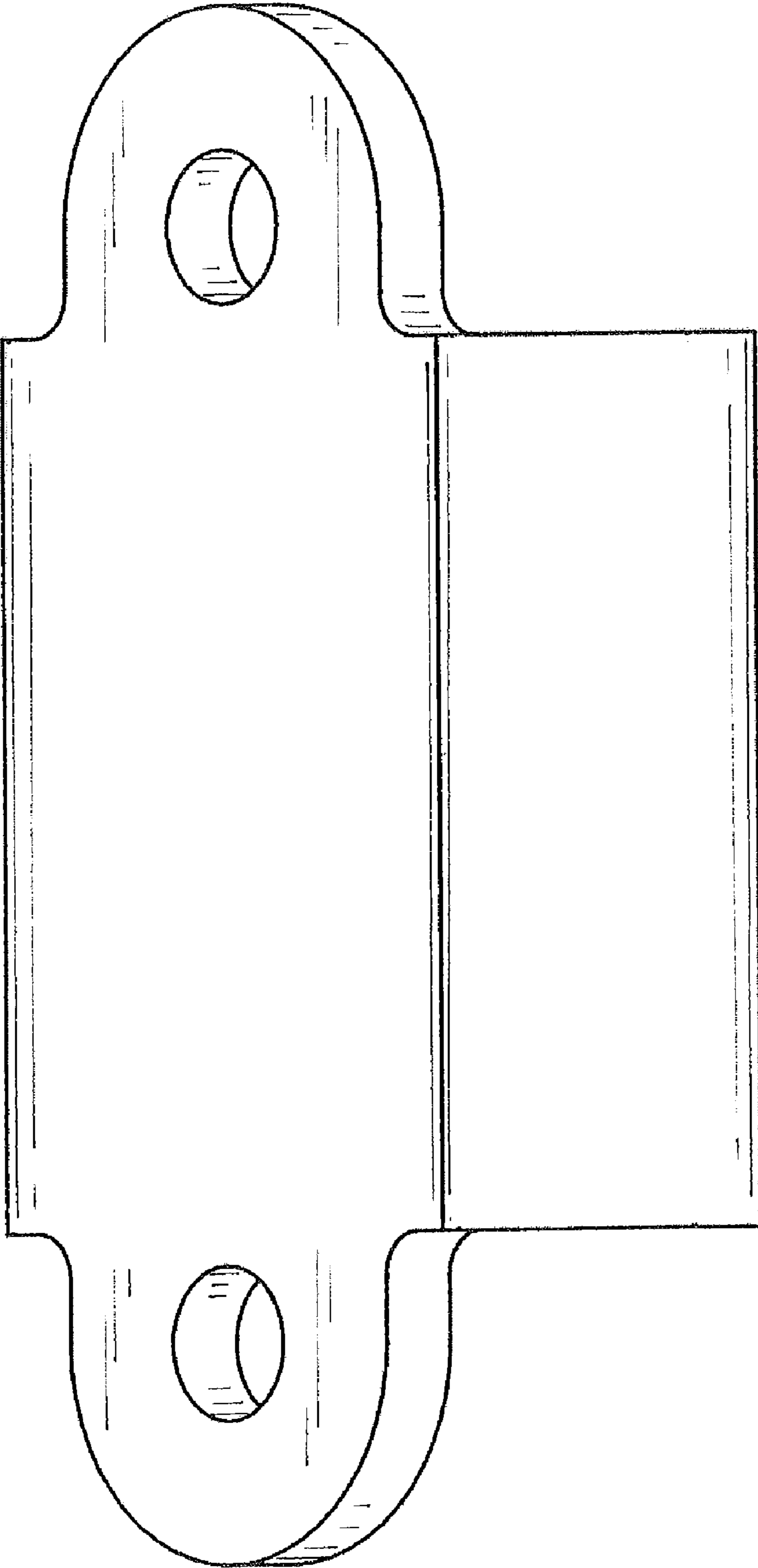


FIG. 5

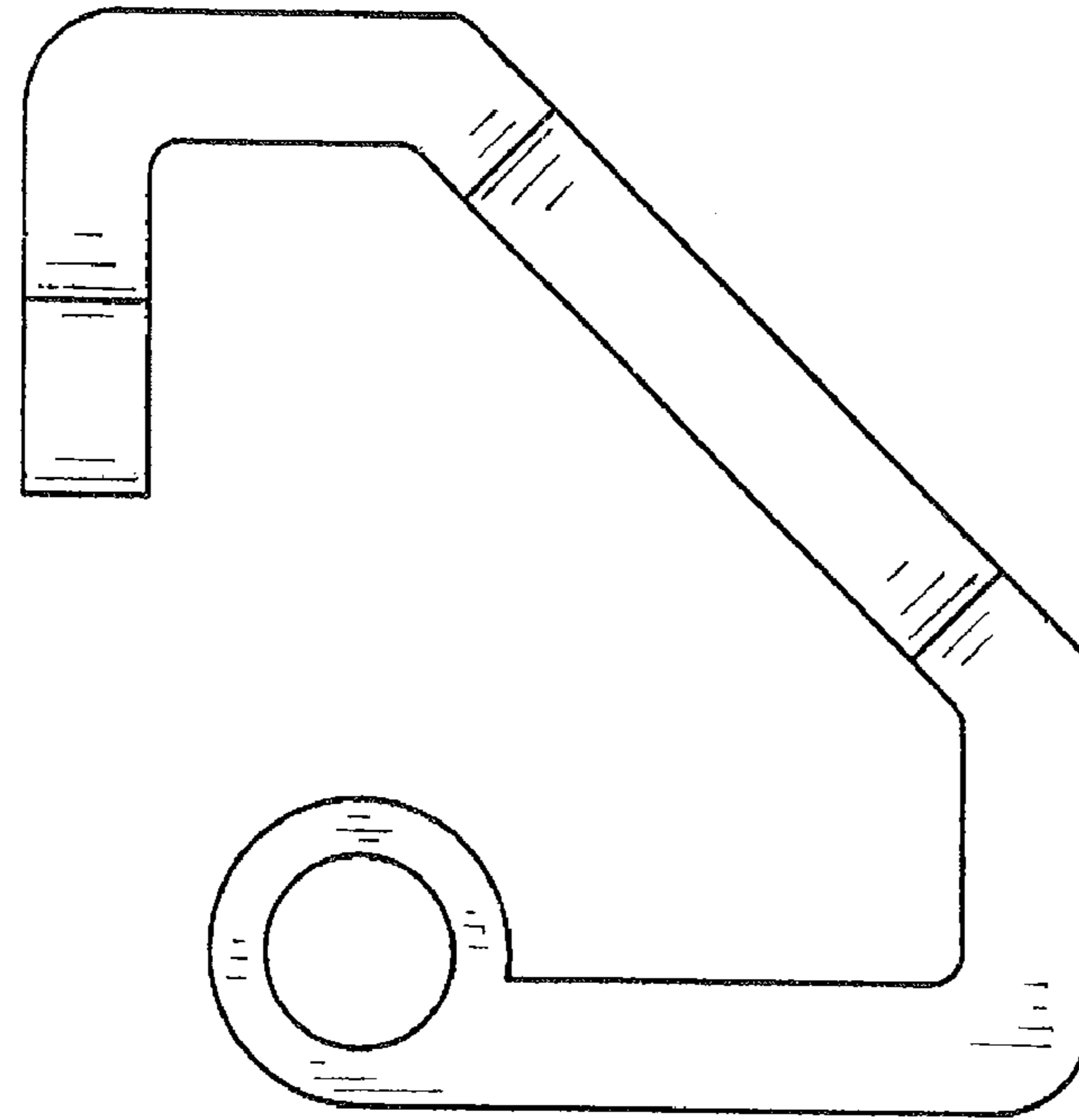


FIG. 6

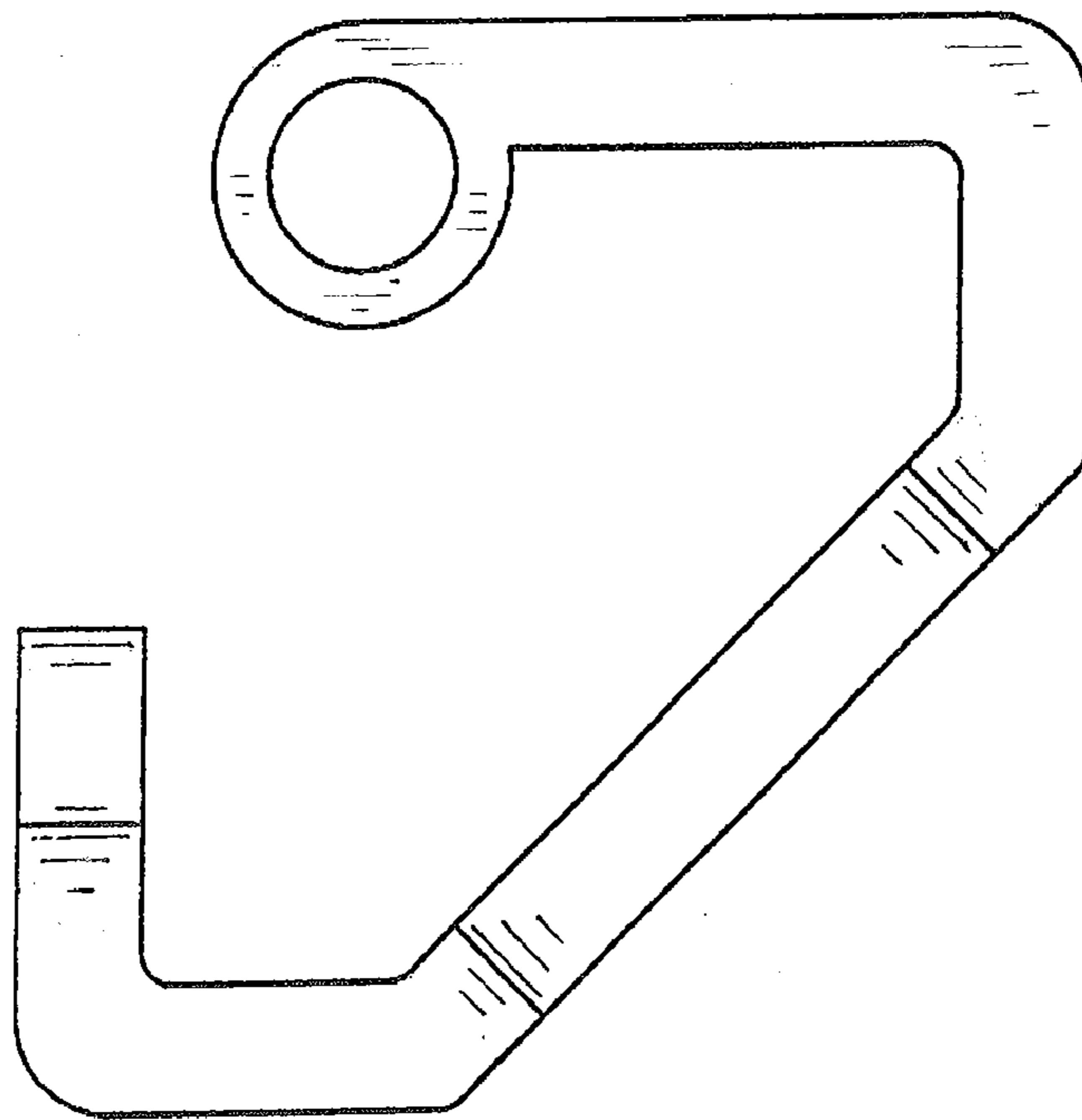


FIG. 7

UNITED STATES PATENT AND TRADEMARK OFFICE
CERTIFICATE OF CORRECTION

PATENT NO. : D672,633 S
APPLICATION NO. : 29/406195
DATED : December 18, 2012
INVENTOR(S) : Oscar Apesteguia Martinez et al.

Page 1 of 1

It is certified that error appears in the above-identified patent and that said Letters Patent is hereby corrected as shown below:

On the Title page,

Item (75): The name of the first inventor should read: Oscar Apesteguia Martinez.

Signed and Sealed this
Nineteenth Day of March, 2013



Teresa Stanek Rea
Acting Director of the United States Patent and Trademark Office