



US00D672631S

(12) **United States Design Patent**
Novak et al.

(10) **Patent No.:** **US D672,631 S**
(45) **Date of Patent:** **** Dec. 18, 2012**

(54) **STRIKER FOR LATCH**
(75) Inventors: **James Novak**, Nundah (AU); **Glenn Smith**, Zillmere (AU); **Andre Tarris**, Fortitude Valley (AU)
(73) Assignee: **D & D Group Pty Ltd.**, Frenchs Forest (AU)
(**) Term: **14 Years**
(21) Appl. No.: **29/384,910**
(22) Filed: **Feb. 4, 2011**
(51) **LOC (9) Cl.** **08-07**
(52) **U.S. Cl.** **D8/330; D8/343**
(58) **Field of Classification Search** D8/330-343;
70/1.5, 2, 14, 51-54, 57, 57.1, 141, 142,
70/143, 431, 442, 443, 465, 466; 292/1,
292/21, 92, 288, 289, 300, 266, 262; 81/15.9,
81/488; 181/175, 185, 198
See application file for complete search history.

1,892,584 A 12/1932 Olson
1,958,940 A 5/1934 Cavanaugh et al.
2,058,163 A 10/1936 Malone
2,203,197 A 6/1940 Henry
2,218,183 A 10/1940 Springer
2,219,186 A 10/1940 Hornfeck
2,288,688 A 7/1942 Dubilier
2,313,712 A 3/1943 Jacobi
2,370,691 A 3/1945 Schlage
2,514,927 A 7/1950 Bernhard
2,586,900 A 2/1952 Alderman
2,597,174 A 5/1952 Patton et al.
2,615,744 A 10/1952 Colonna
2,690,349 A 9/1954 Teetor
2,726,891 A 12/1955 Gresham et al.
2,767,007 A 10/1956 Burke
2,797,655 A 7/1957 Morehouse

(Continued)

FOREIGN PATENT DOCUMENTS

AU 29217-30 9/1931
(Continued)

Primary Examiner — Prabhakar Deshmukh
(74) *Attorney, Agent, or Firm* — Kelly & Kelley, LLP

(56) **References Cited**

U.S. PATENT DOCUMENTS

17,354 A 5/1857 Smith
29,212 A 7/1860 Acker
137,951 A 4/1873 Palmer
RE5,932 E 6/1874 Acker
204,267 A 5/1878 Unger
329,032 A 10/1885 Falls
391,433 A 10/1888 Stover
631,797 A 8/1899 Krause
D32,818 S 6/1900 Greenawalt
754,690 A 3/1904 Pelzer
776,153 A 11/1904 Swacick
887,548 A 5/1908 Trumble
926,520 A 6/1909 Thornton et al.
971,281 A 9/1910 Keene et al.
1,185,503 A 5/1916 Harsh
1,530,341 A 3/1925 Bannochie
1,538,056 A 5/1925 Olson
1,586,615 A 6/1926 Elliott
1,789,775 A 1/1931 Russ et al.
1,883,506 A 10/1932 Bommer

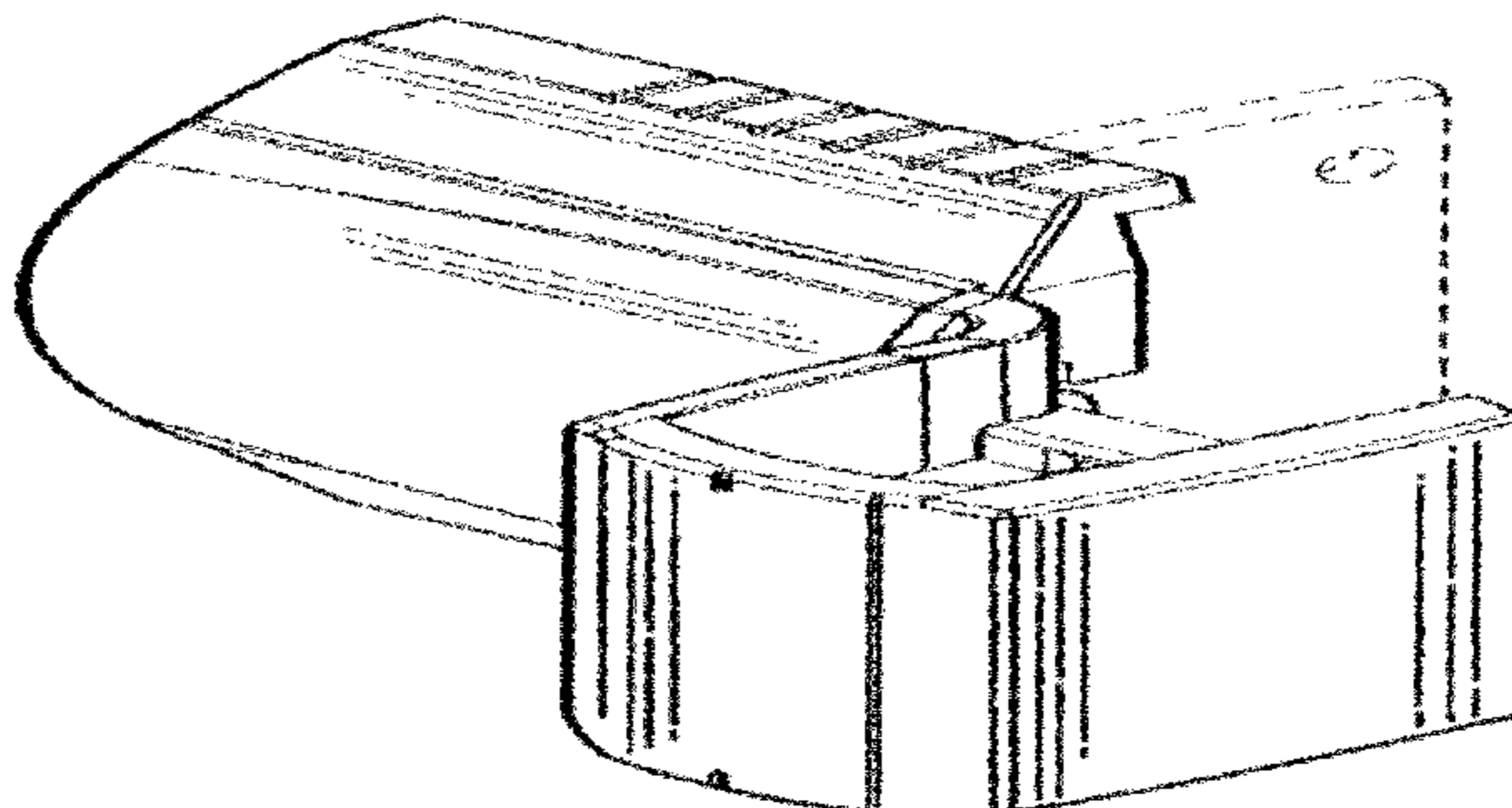
(57) **CLAIM**

The ornamental design for a striker for latch, as shown and described.

DESCRIPTION

FIG. 1 is a front perspective view of a striker for latch showing our new design;
FIG. 2 is a rear perspective view thereof;
FIG. 3 is a front view thereof;
FIG. 4 is a top side view thereof;
FIG. 5 is a bottom view thereof;
FIG. 6 is a rear view thereof;
FIG. 7 is a left side view thereof; and,
FIG. 8 is a right side view thereof.
The broken lines showing details in the Figures are included for the purpose of showing environmental context of the design, and form no part of the claimed design.

1 Claim, 4 Drawing Sheets



US D672,631 S

U.S. PATENT DOCUMENTS

2,839,912	A	6/1958	Corbin et al.
2,942,907	A	6/1960	Nagel et al.
2,953,916	A	9/1960	Thomas
2,988,389	A	6/1961	Wilson
3,040,555	A	6/1962	Wartian
3,046,776	A	7/1962	Marotto et al.
3,098,258	A	7/1963	Ruiz
3,107,113	A	10/1963	Sconzo
3,111,021	A	11/1963	Patriquin et al.
3,115,026	A	12/1963	Moore et al.
3,161,036	A	12/1964	Himes
3,273,925	A	9/1966	Graham
3,314,707	A	4/1967	Van Donselaar
3,316,582	A	5/1967	Johnson et al.
3,334,936	A	8/1967	Hekelaar et al.
3,350,127	A	10/1967	Hekelaar
3,380,109	A	4/1968	Ruiz
D212,861	S	12/1968	Raymond
3,433,518	A	3/1969	Foltz
3,516,701	A	6/1970	Graham
3,538,538	A	11/1970	Field
3,591,219	A	7/1971	Graziosi
3,593,547	A	7/1971	Taylor
3,677,591	A	7/1972	Waldo
3,691,799	A	9/1972	Hoffmann et al.
3,705,505	A	12/1972	Landow et al.
3,778,866	A	12/1973	Nakanishi
3,785,186	A	1/1974	James et al.
3,794,366	A	2/1974	Graham
3,825,973	A	7/1974	Gwozdz
3,881,331	A	5/1975	Tranberg et al.
3,890,813	A	6/1975	Cothron
3,903,567	A	9/1975	Suska
3,965,533	A	6/1976	Frohlich
3,978,551	A	9/1976	Mochizuki
4,014,192	A	3/1977	Dillon et al.
4,025,095	A	5/1977	Hausladen
4,069,545	A	1/1978	Holet et al.
4,073,038	A	2/1978	Curry et al.
4,073,520	A	2/1978	Tsuchiya et al.
4,118,055	A	10/1978	Bischoff, Jr.
4,339,845	A	7/1982	Newlon et al.
4,378,684	A	4/1983	Dugan et al.
4,414,828	A	11/1983	Takinami et al.
4,583,262	A	4/1986	Werner
4,691,541	A	9/1987	McQuade, Sr. et al.
4,732,418	A	3/1988	Crown et al.
4,751,765	A	6/1988	Wu
4,817,242	A	4/1989	Rapp
D301,116	S	5/1989	Foshee et al.
4,838,053	A	6/1989	Shen
4,848,812	A	7/1989	Slaughter
4,919,463	A	4/1990	McQuade
4,921,289	A	5/1990	Shen
4,938,508	A	7/1990	Thomas
4,962,567	A	10/1990	Dixon
5,018,920	A	5/1991	Speakman
5,024,473	A	6/1991	McQuade
5,029,912	A	7/1991	Gotanda
5,031,270	A	7/1991	Lee
5,063,764	A	11/1991	Amis et al.
5,103,658	A	4/1992	McQuade
5,149,155	A	9/1992	Caeti et al.
5,177,987	A	1/1993	Shen
D335,718	S	5/1993	Maglica et al.
5,265,924	A	11/1993	Kim
D342,952	S	1/1994	Yoder
D351,781	S	* 10/1994	DeWitt D8/344
5,356,095	A	10/1994	Aker
5,358,292	A	10/1994	Van Wiebe et al.
5,362,116	A	11/1994	Doyle et al.
5,526,659	A	6/1996	Takimoto
D371,503	S	7/1996	Nakano

5,572,768	A	11/1996	Daul
5,584,100	A	12/1996	Doyle et al.
5,655,801	A	8/1997	Casey
5,715,574	A	2/1998	Schall
5,785,365	A	* 7/1998	Lorey 292/216
5,876,073	A	3/1999	Geringer et al.
6,058,747	A	5/2000	Doyle et al.
6,174,005	B1	1/2001	Norton
D443,196	S	6/2001	Sosa
6,264,255	B1	7/2001	Fortune
6,327,879	B1	12/2001	Malsom
6,347,819	B1	2/2002	Plaxco
6,364,383	B1	4/2002	Shen
D457,113	S	5/2002	Zapushek et al.
6,460,220	B1	10/2002	Jackson
6,513,351	B2	2/2003	Clark
D484,389	S	12/2003	Evans
6,732,408	B2	5/2004	Wu
6,733,049	B2	5/2004	Piorkowski et al.
6,733,050	B1	5/2004	Yao
D495,235	S	8/2004	Burrows
D502,859	S	3/2005	Peng et al.
6,869,115	B2	3/2005	Shen
6,883,842	B2	* 4/2005	Paskonis 292/340
6,898,953	B1	5/2005	Paprocki et al.
6,905,152	B1	6/2005	Hudson
7,025,395	B2	* 4/2006	Fisher 292/340
7,044,511	B2	5/2006	Kliefoth et al.
7,111,881	B2	* 9/2006	Paskonis 292/340
7,140,652	B2	* 11/2006	Johnson et al. 292/340
7,201,030	B2	4/2007	Timothy
D543,830	S	6/2007	Frank et al.
7,240,400	B2	7/2007	Bonham
D548,044	S	8/2007	Tang
D550,061	S	9/2007	Tang
D552,448	S	10/2007	Tang
7,296,448	B1	11/2007	Shaw
D557,586	S	12/2007	Shire et al.
D564,859	S	* 3/2008	Brojanac et al. D8/330
D569,707	S	* 5/2008	Antkowiak et al. D8/331
7,469,945	B2	* 12/2008	Dennis 292/340
D587,093	S	* 2/2009	Fonk et al. D8/330
D595,569	S	7/2009	Darling, III
D601,403	S	10/2009	Cosby et al.
D605,493	S	12/2009	Tejszerski
7,703,818	B2	* 4/2010	Fannon et al. 292/340
7,828,348	B2	* 11/2010	Bolbocianu et al. 292/340
D643,278	S	* 8/2011	Fidali et al. D8/343
2004/0093689	A1	5/2004	Sosa et al.
2007/0007773	A1	1/2007	Berkseth et al.
2008/0016923	A1	1/2008	Zheng

FOREIGN PATENT DOCUMENTS

AU	138996	4/1948
AU	245874	5/1963
DE	1961736	6/1971
DE	3205224	8/1983
DE	3313220	10/1984
DE	3605826	8/1987
FR	1180547	6/1959
FR	2405347	5/1979
GB	693564	7/1953
GB	759211	10/1956
GB	1108996	4/1968
GB	1382227	1/1975
GB	2006892	5/1990
GB	2010086	10/1990
JP	1-198983	8/1989
JP	3-172482	7/1991
JP	3212589	9/1991
JP	8210001	8/1996
WO	92/03631	3/1992

* cited by examiner

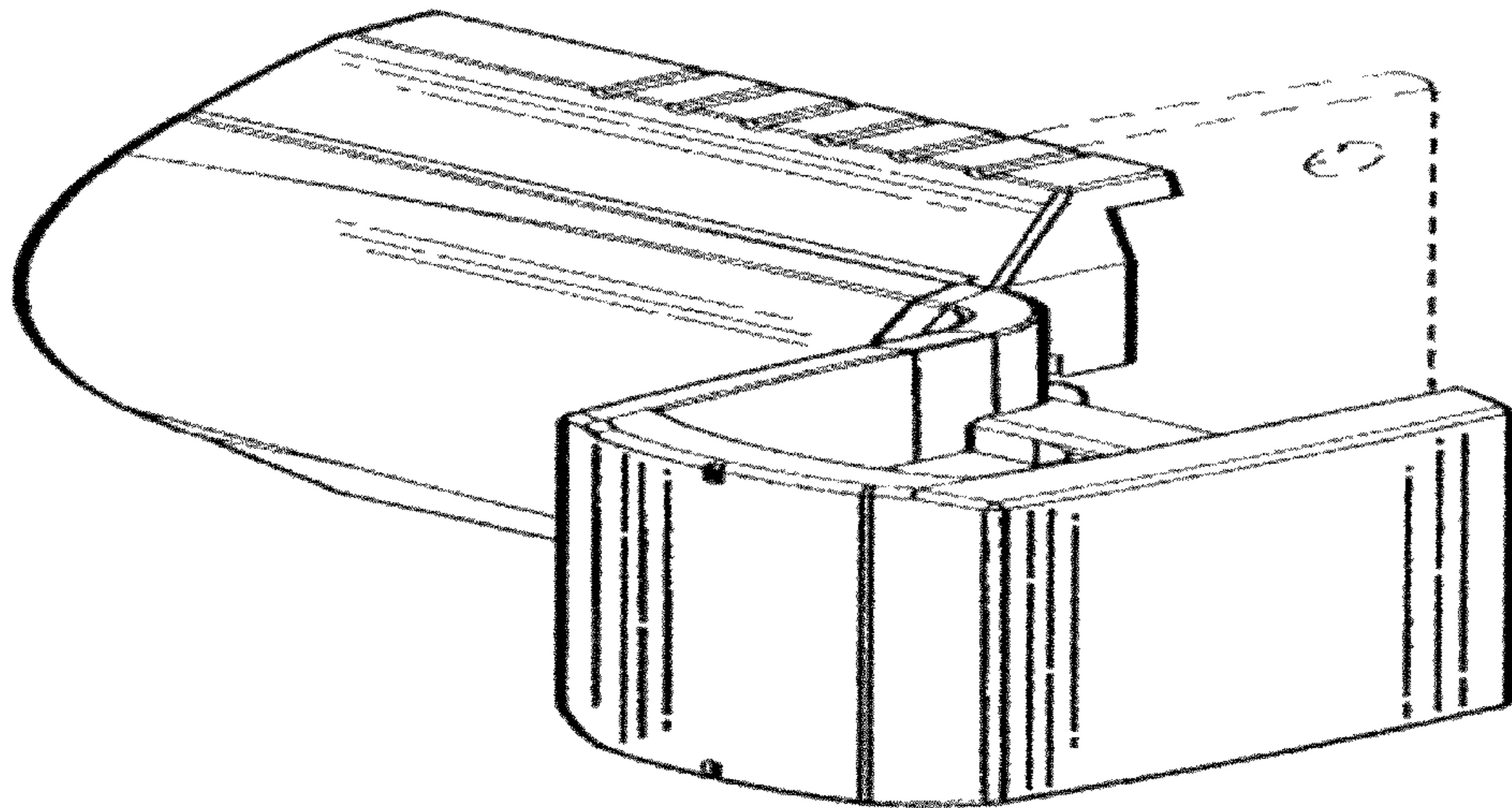


FIG. 1

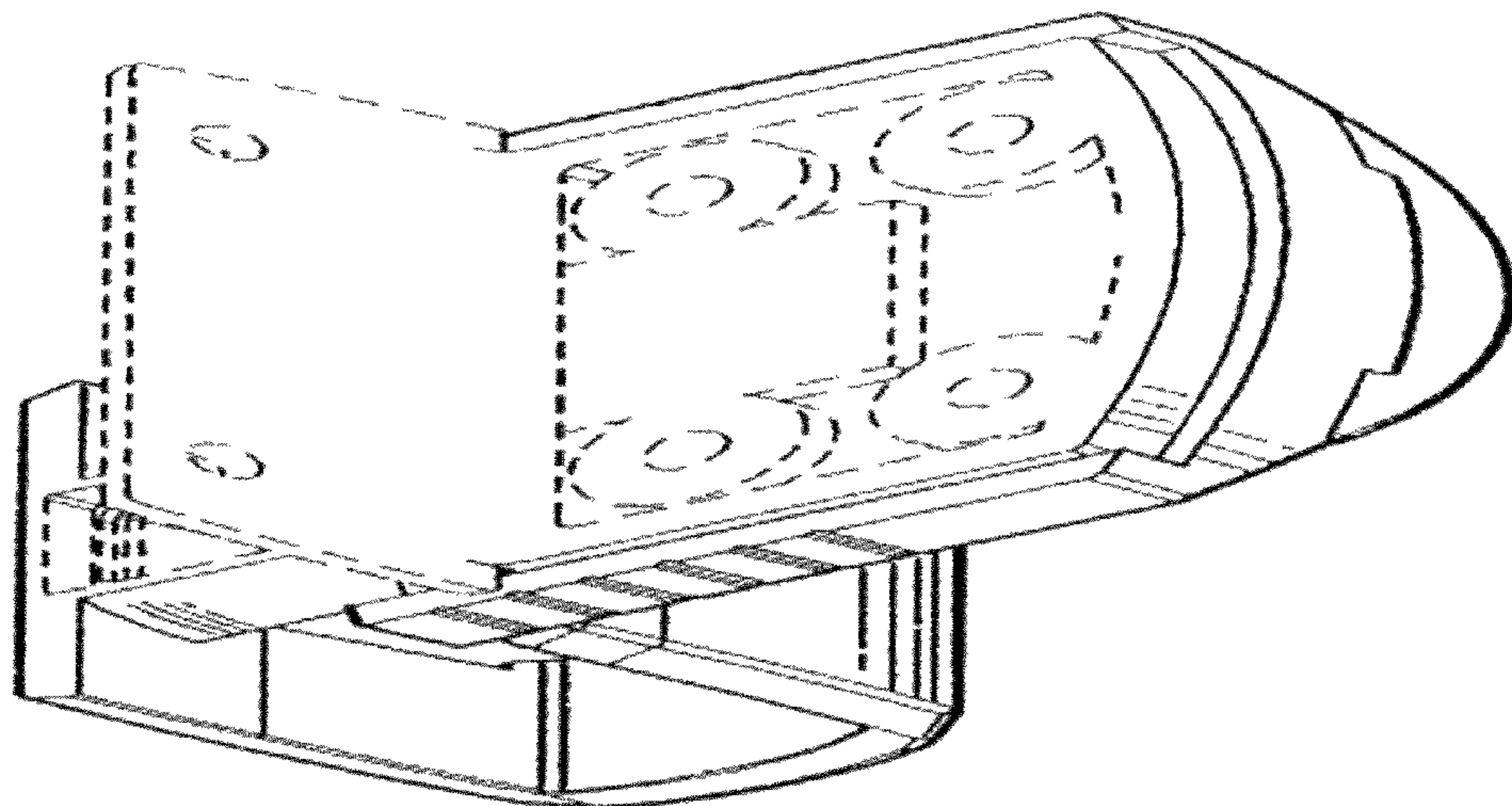


FIG. 2

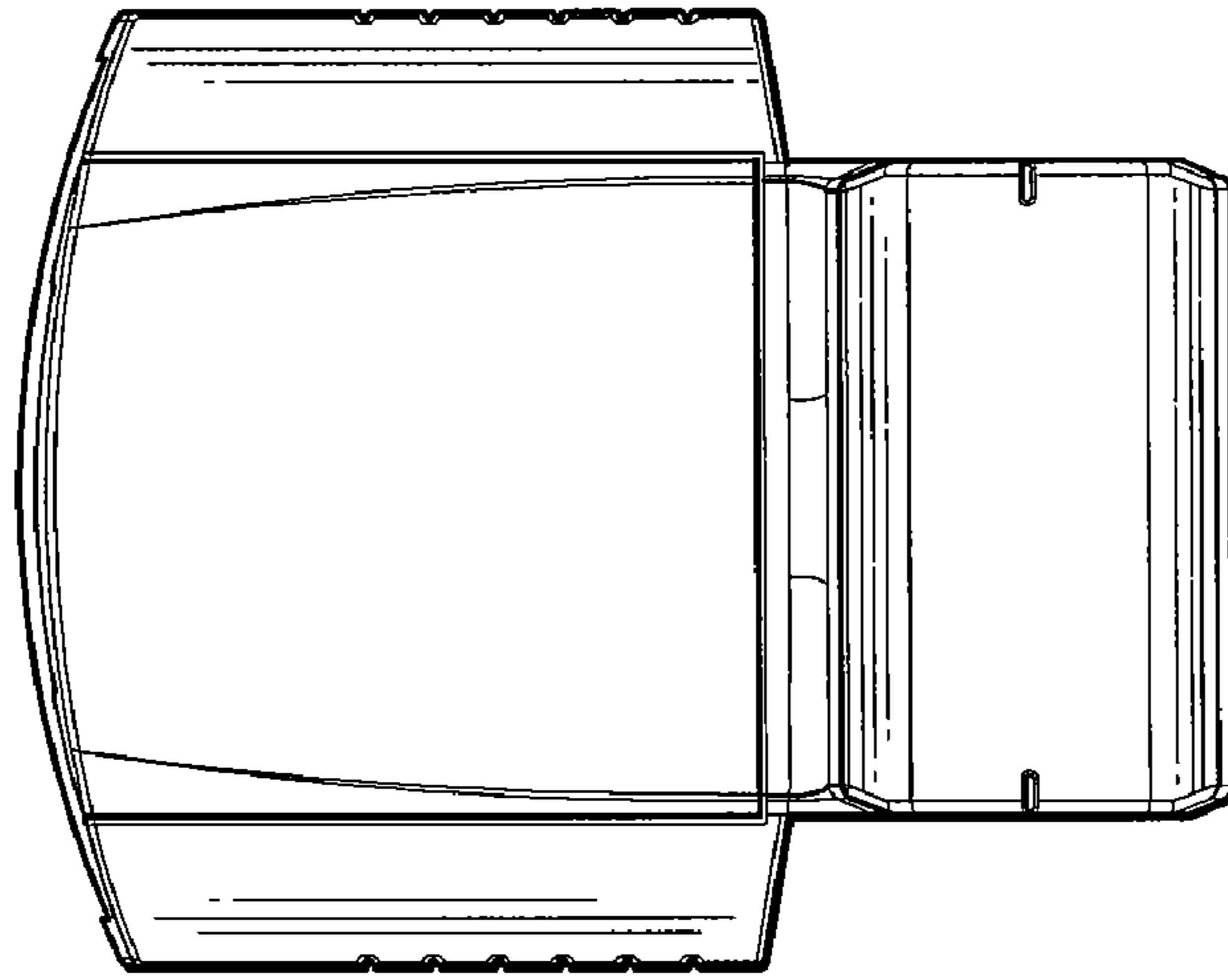


FIG. 3

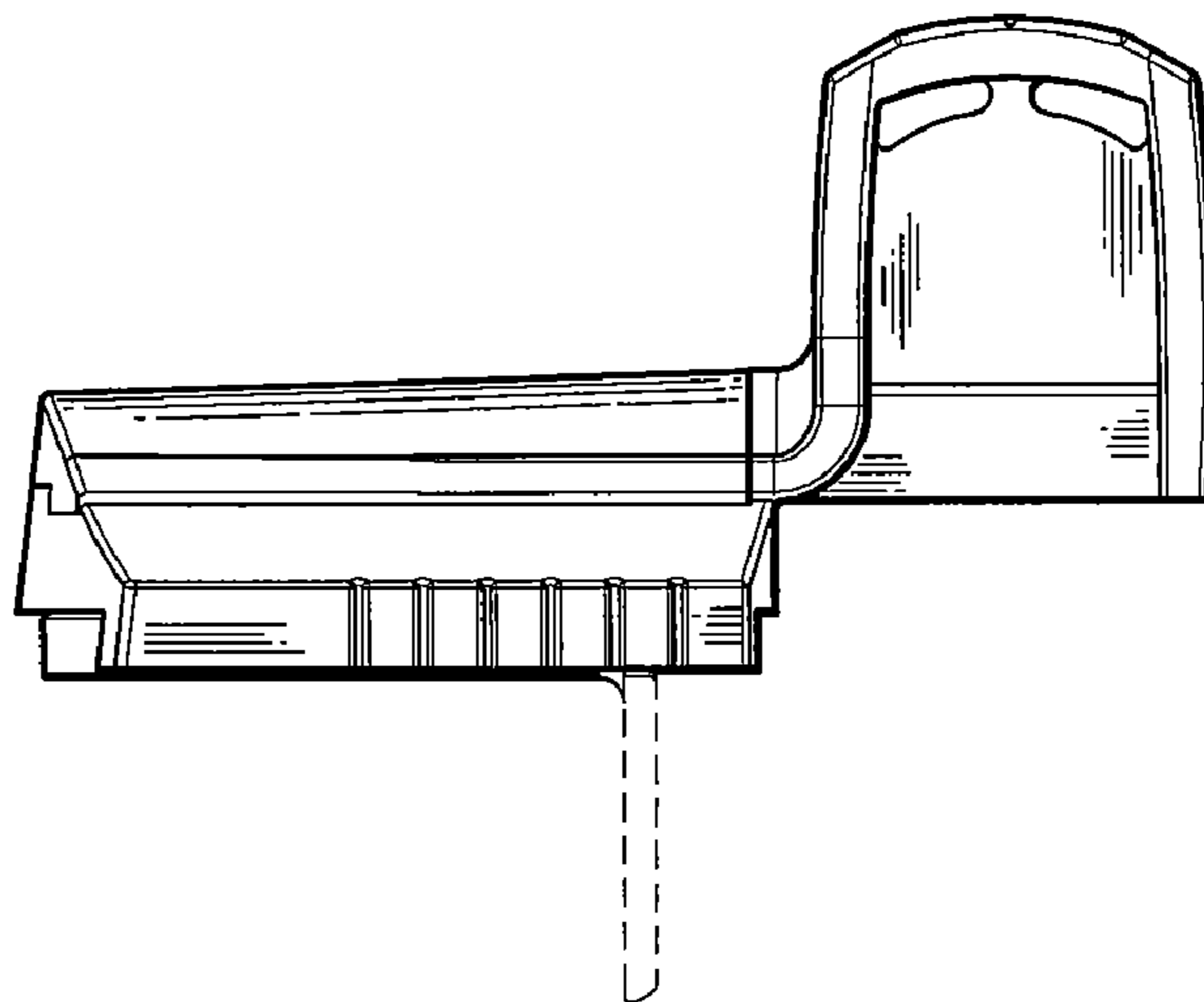


FIG. 4

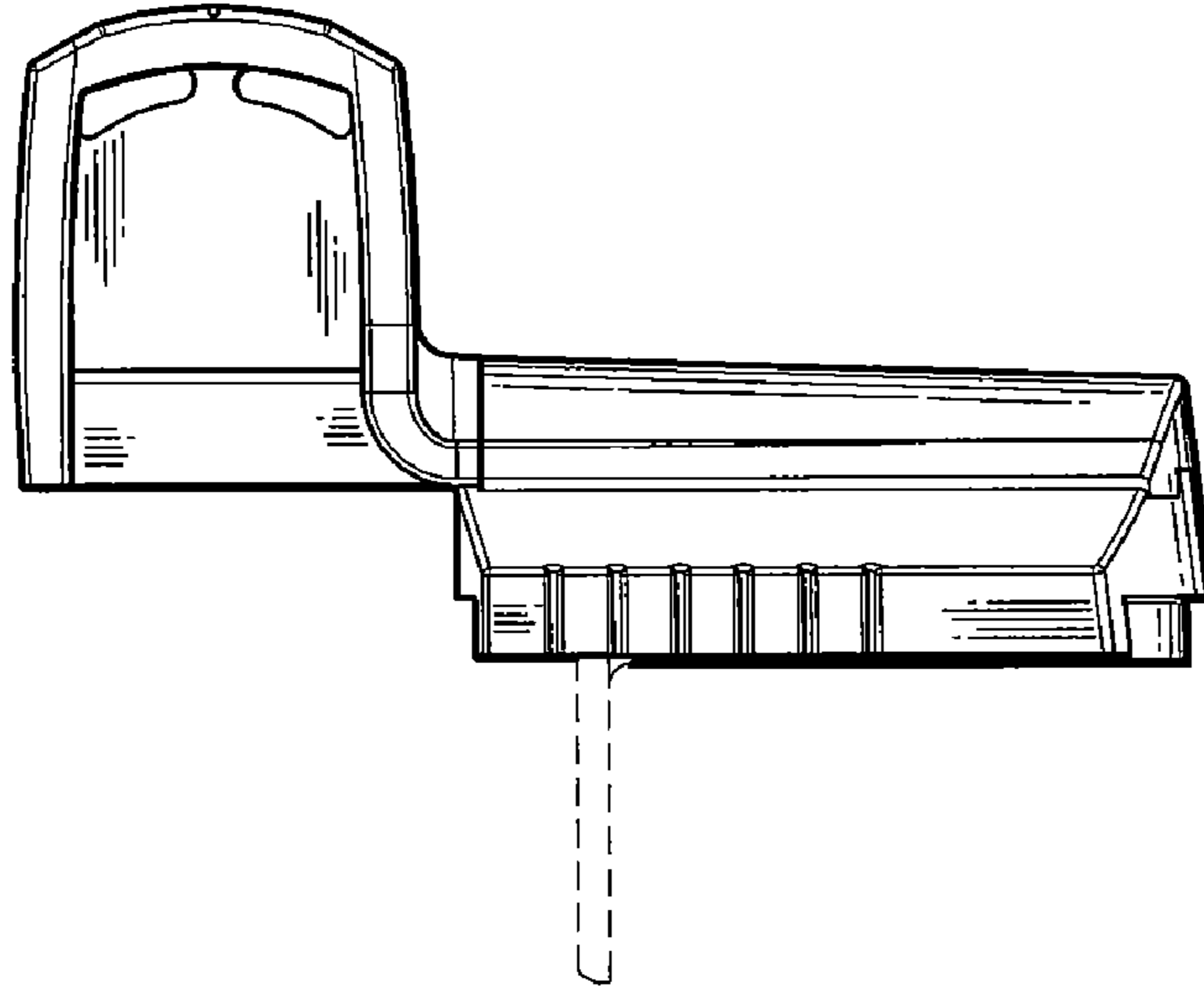


FIG. 5

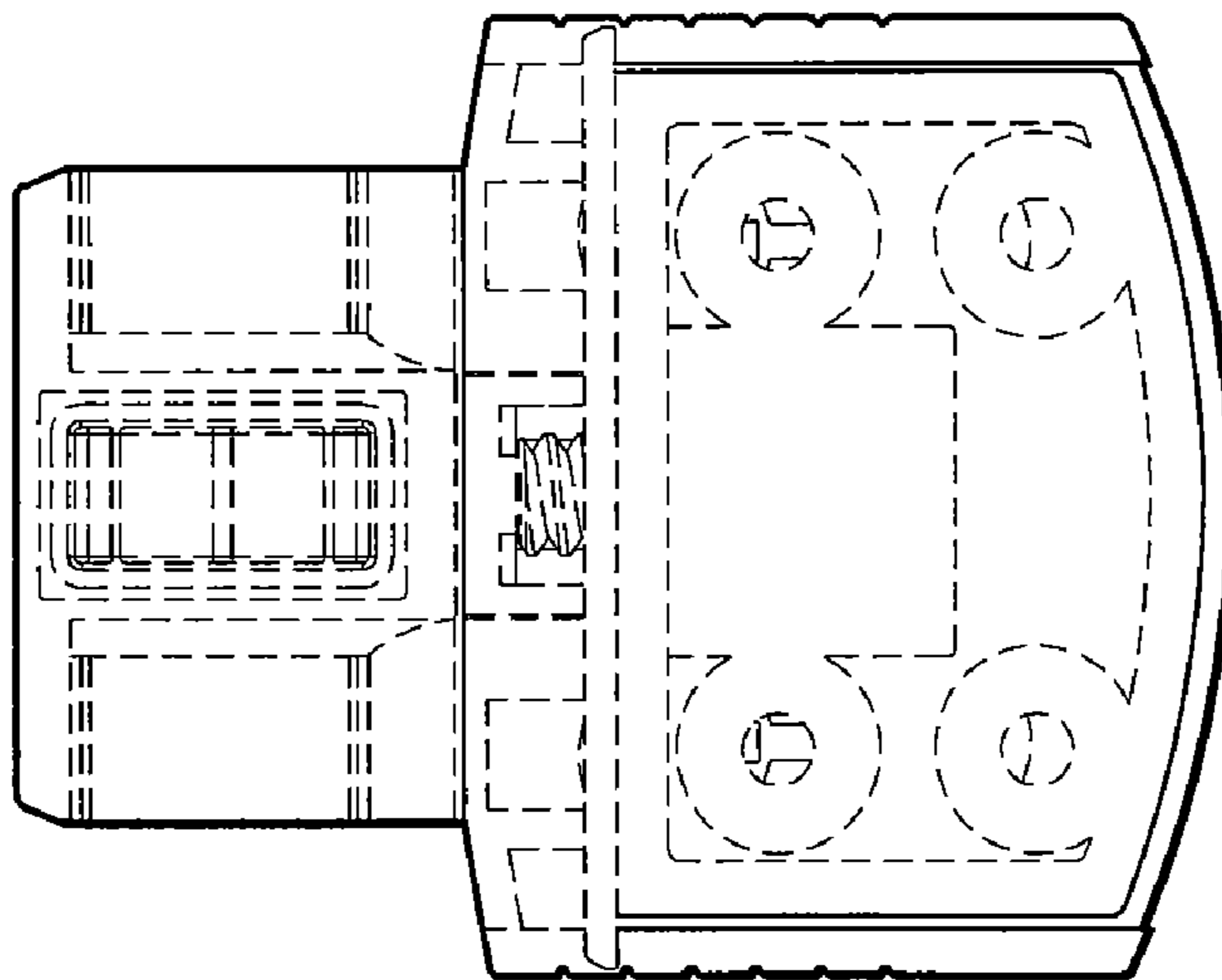


FIG. 6

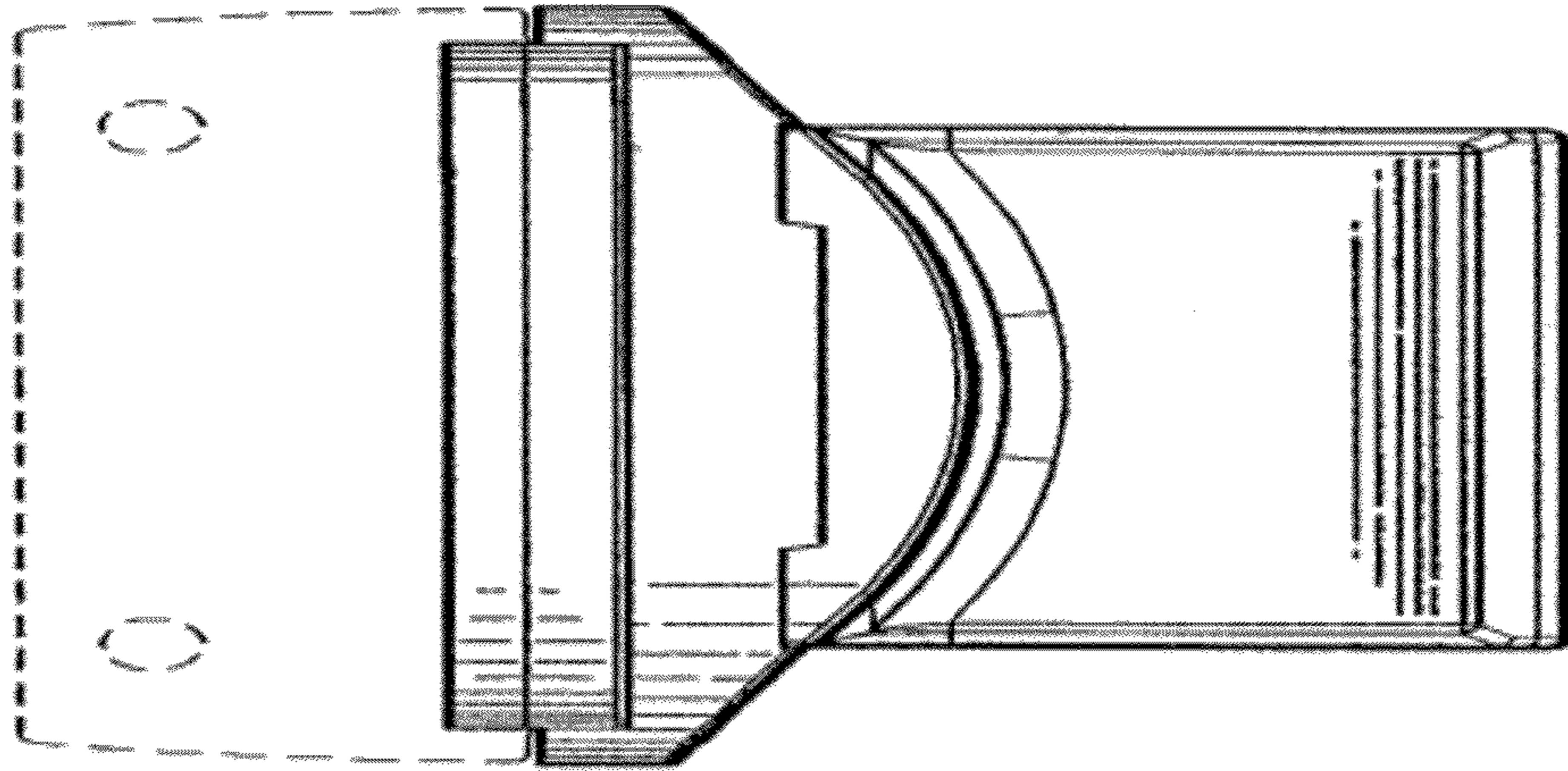


FIG. 7

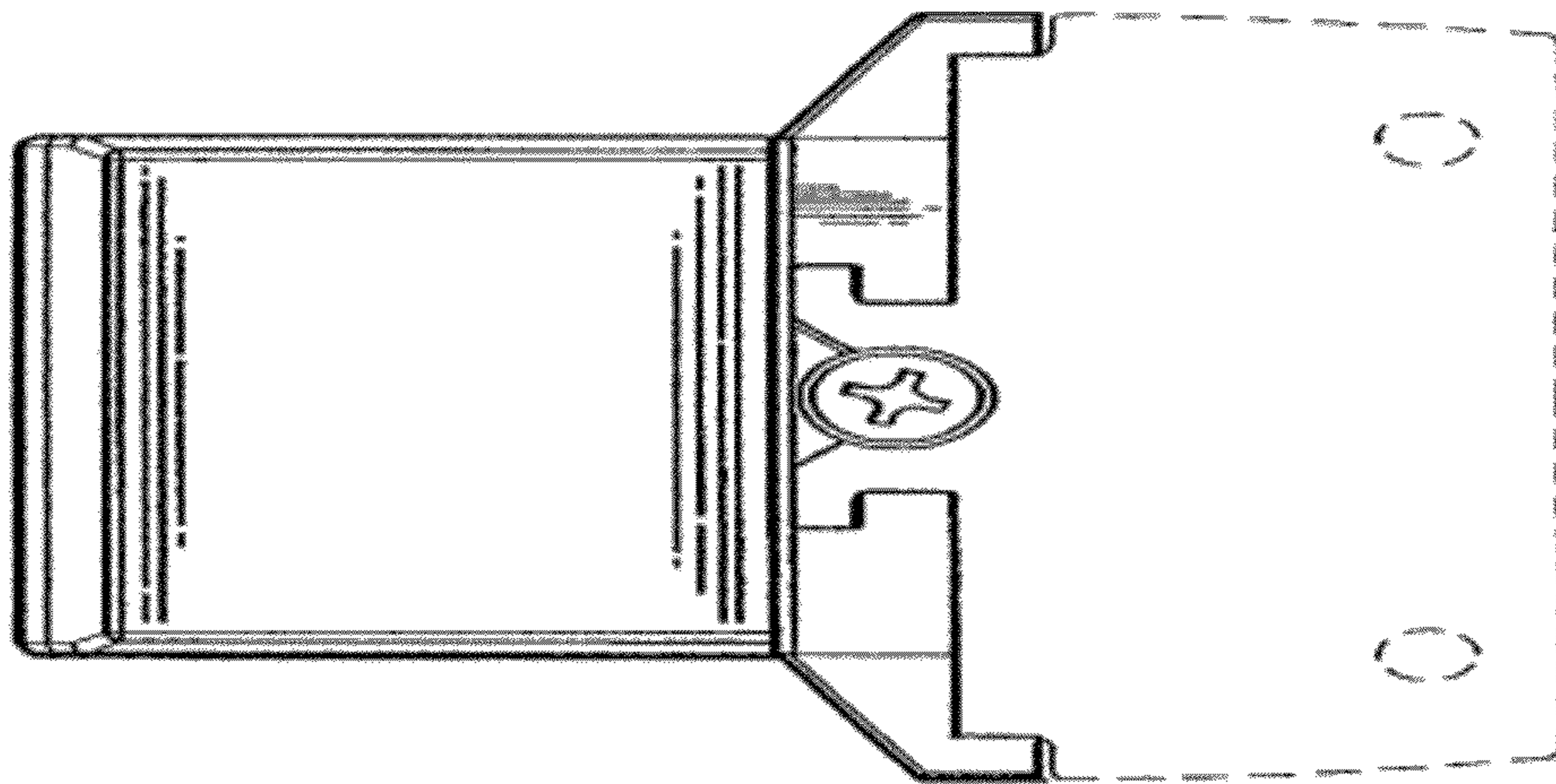


FIG. 8