



US00D672630S

(12) **United States Design Patent**
Talley et al.

(10) **Patent No.:** **US D672,630 S**
(45) **Date of Patent:** **** Dec. 18, 2012**

(54) **POCKET FORMING INSERT**

(75) Inventors: **Nick Talley**, Newnan, GA (US); **Bobbie Don Peacock**, Peachtree City, GA (US); **Bobbie Don Peacock, Jr.**, Newnan, GA (US); **Bryan N. Wilmoth**, Griffin, GA (US); **Tom Holak**, Peachtree City, GA (US)

4,140,293 A * 2/1979 Hansen D8/349
D259,277 S * 5/1981 McDermott D23/393
4,304,431 A 12/1981 Walston
4,742,585 A * 5/1988 Logsdon 52/577
5,496,213 A * 3/1996 Miller 52/577
5,934,821 A * 8/1999 Shaw et al. 52/298
6,568,730 B1 5/2003 Paterson
6,789,366 B1 * 9/2004 Febra 52/577

(Continued)

(73) Assignee: **M.A. Industries, Inc.**, Peachtree, GA (US)

Primary Examiner — Richard E Chilcot

(74) *Attorney, Agent, or Firm* — Kilpatrick Townsend & Stockton LLP

(**) Term: **14 Years**

(57) **CLAIM**

(21) Appl. No.: **29/352,423**

The ornamental design for a pocket forming insert, as shown and described.

(22) Filed: **Dec. 21, 2009**

DESCRIPTION

Related U.S. Application Data

(63) Continuation of application No. 12/228,101, filed on Sep. 23, 2008, now abandoned.

(51) **LOC (9) Cl.** **08-05**

(52) **U.S. Cl.** **D8/300; 52/577; D8/321**

(58) **Field of Classification Search** 52/122.1–126.7, 52/323, 576, 577; 249/1, 61, 83, 91, 184; D25/113, 118, 124, 125; D8/300, 321
See application file for complete search history.

FIG. 1 is a top perspective view of a pocket forming insert, showing our new design.

FIG. 2 is a left side elevation view of the pocket forming insert of FIG. 1, the right side elevation view being a mirror image of the right side view.

FIG. 3 is a front elevation view of the pocket forming insert of FIG. 1.

FIG. 4 is a rear elevation view of the pocket forming insert of FIG. 1.

FIG. 5 is a top plan view of the pocket forming insert of FIG. 1.

FIG. 6 is a top perspective view of the pocket forming insert of FIG. 1, showing a lift cable used in the pocket forming insert; and,

FIG. 7 is a top perspective view of the pocket forming insert of FIG. 1, showing a cover and another configuration of a lift cable used in the pocket forming insert.

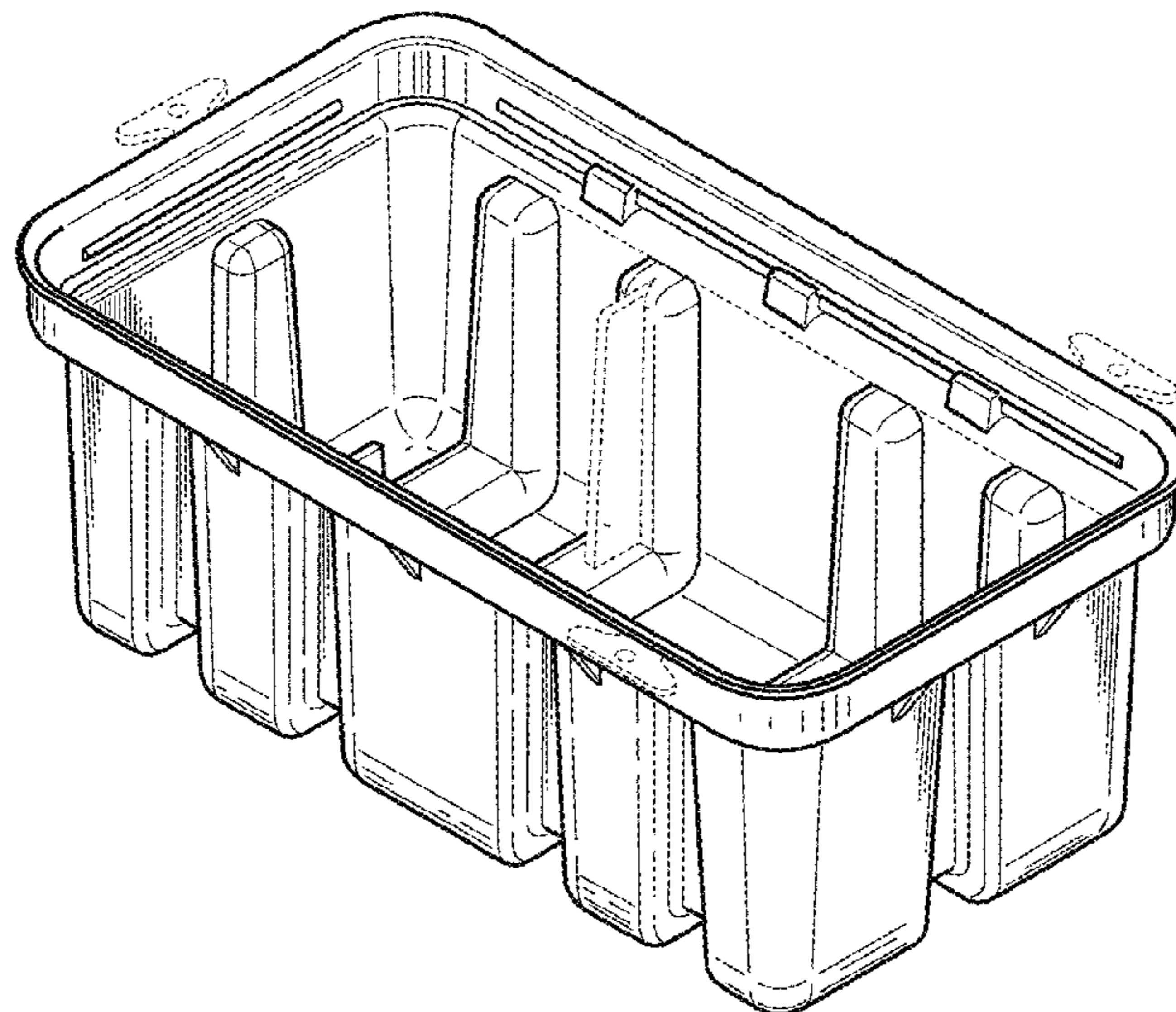
Portions or features of the pocket forming insert not shown in the drawings form no part of the claimed design. The broken lines in the drawings form no part of the claimed design.

(56) **References Cited**

U.S. PATENT DOCUMENTS

1,062,077 A * 5/1913 Burk 52/577
1,753,496 A * 4/1930 Barton 52/577
2,315,956 A * 4/1943 Heath 52/577
2,347,310 A 4/1944 Zuber
3,512,747 A * 5/1970 Stark 249/134
3,708,929 A * 1/1973 Estes et al. 52/577
3,908,323 A * 9/1975 Stout 52/577
3,916,590 A 11/1975 Miller
4,026,082 A * 5/1977 Crofoot 52/656.2
4,089,502 A * 5/1978 Miller 249/177

1 Claim, 5 Drawing Sheets



US D672,630 S

Page 2

U.S. PATENT DOCUMENTS

7,395,635 B2 *	7/2008	Neef et al.	52/125.4	2007/0164575 A1	7/2007	Leach	
2007/0126249 A1	6/2007	Leach			2007/0214740 A1 *	9/2007	O'Grady 52/577

* cited by examiner

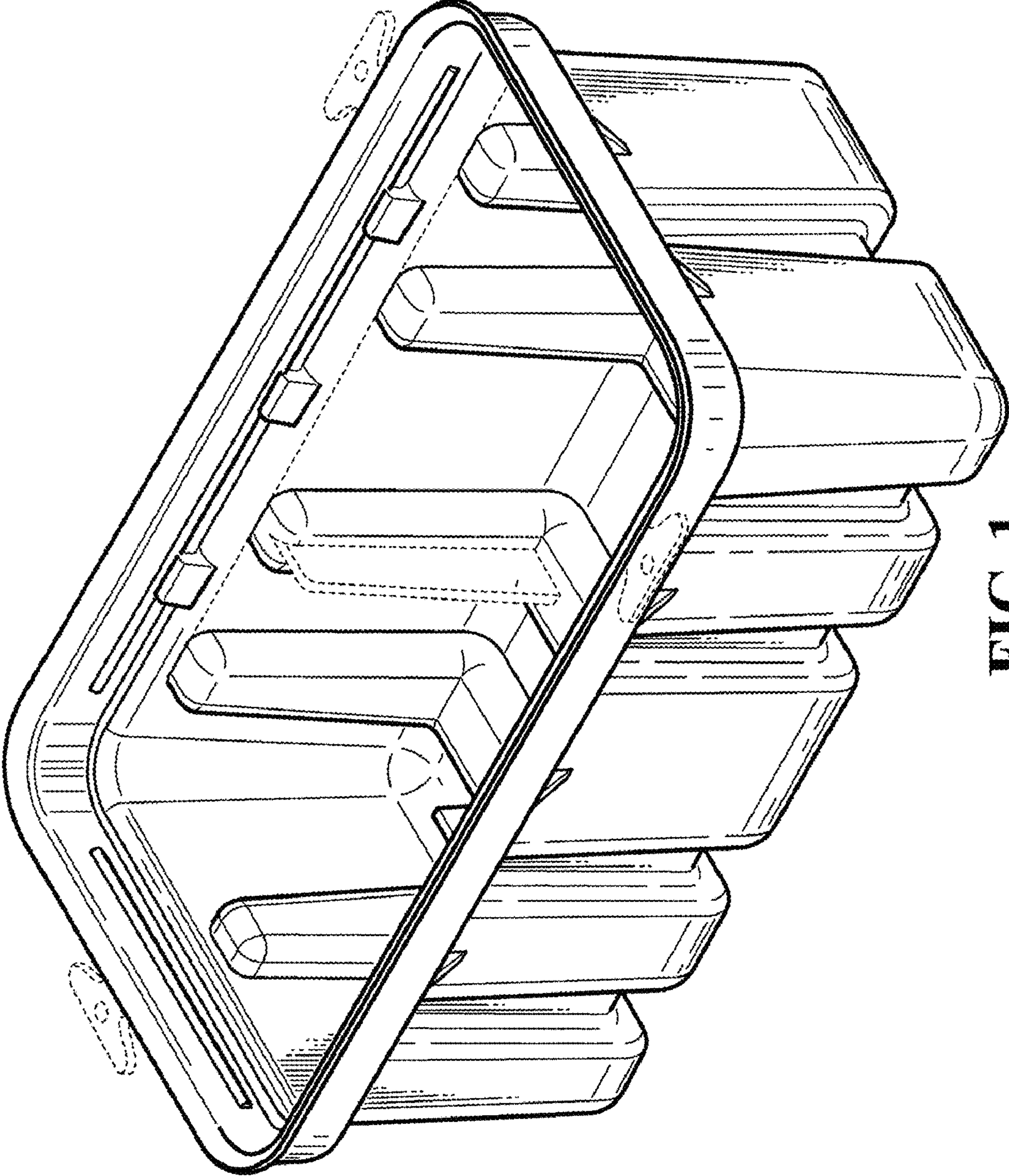


FIG. 1

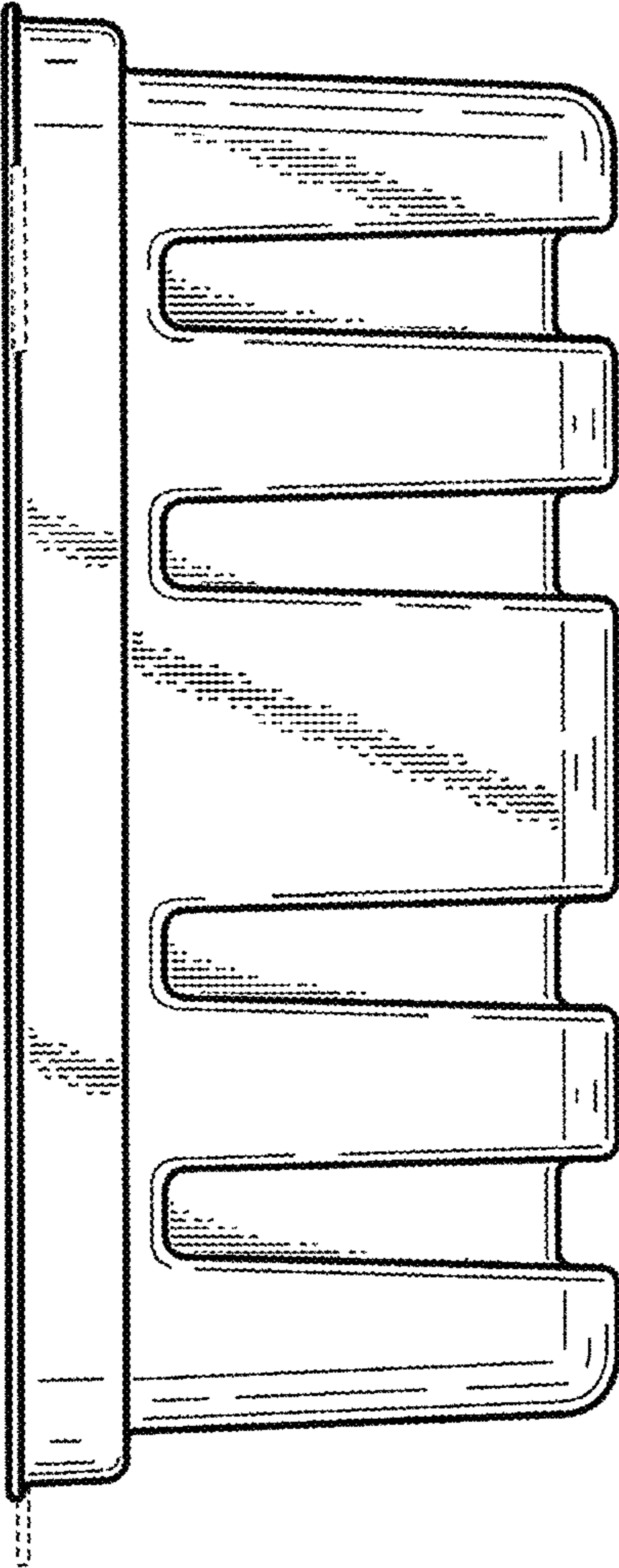


FIG. 2

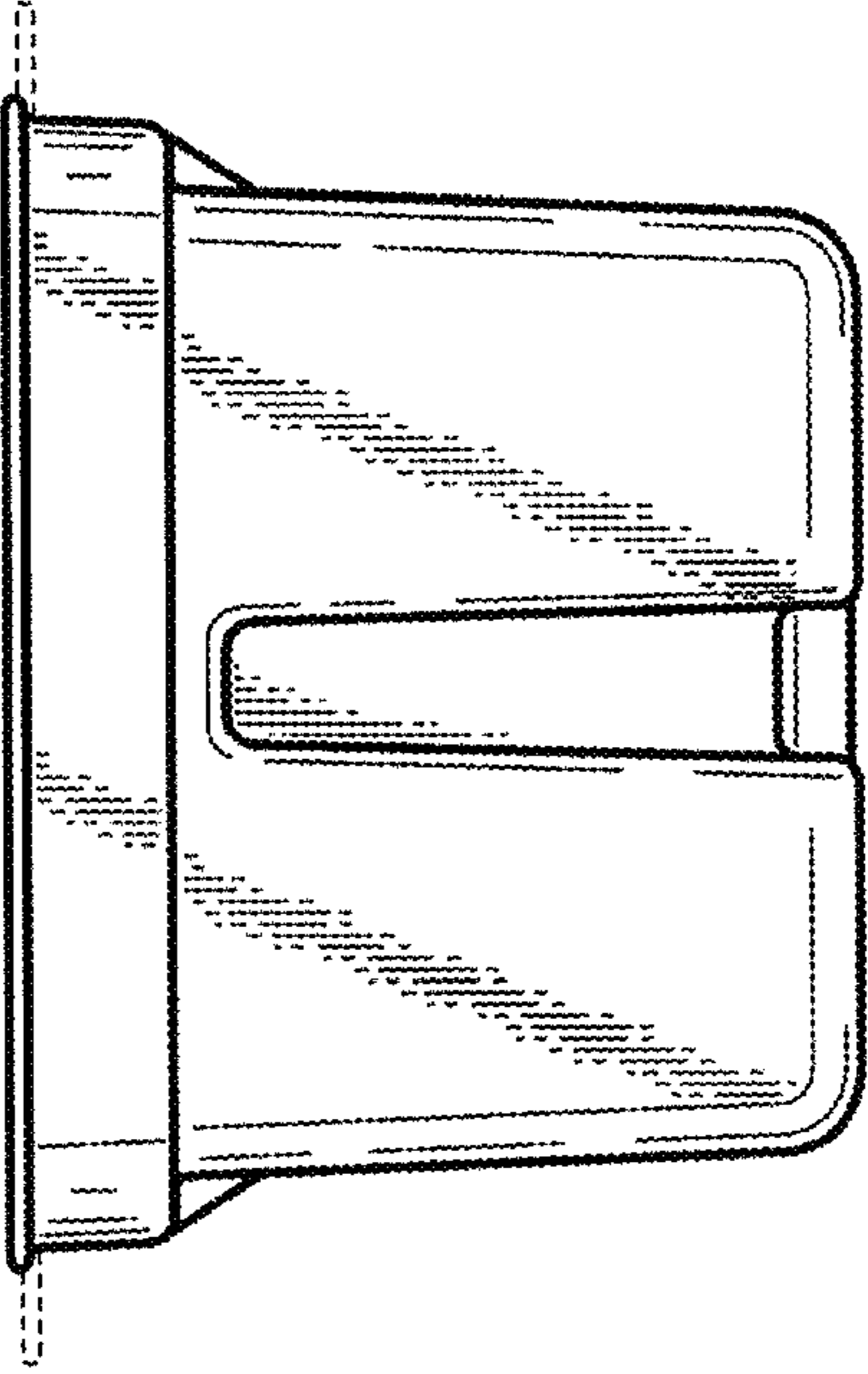


FIG. 4

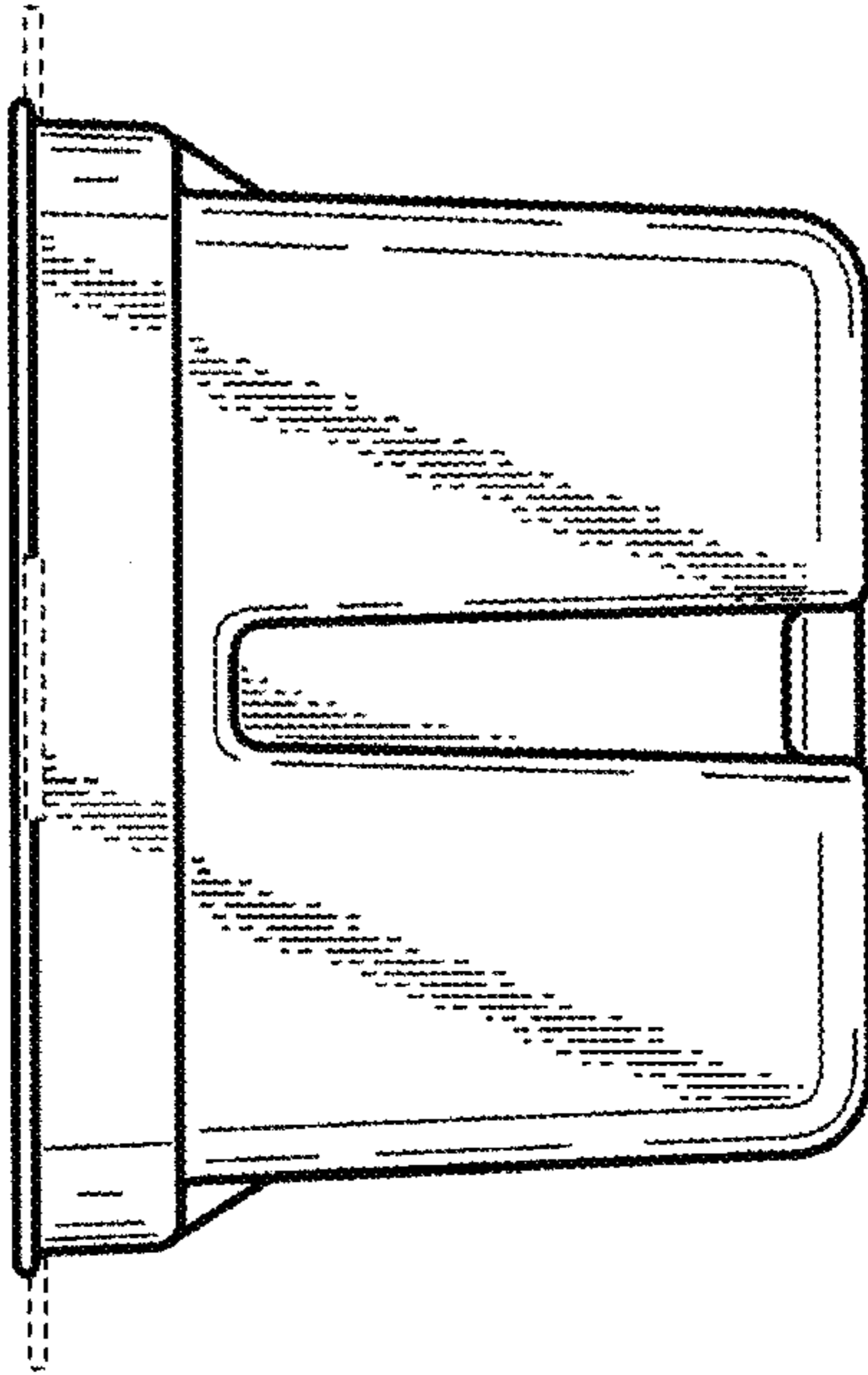


FIG. 3

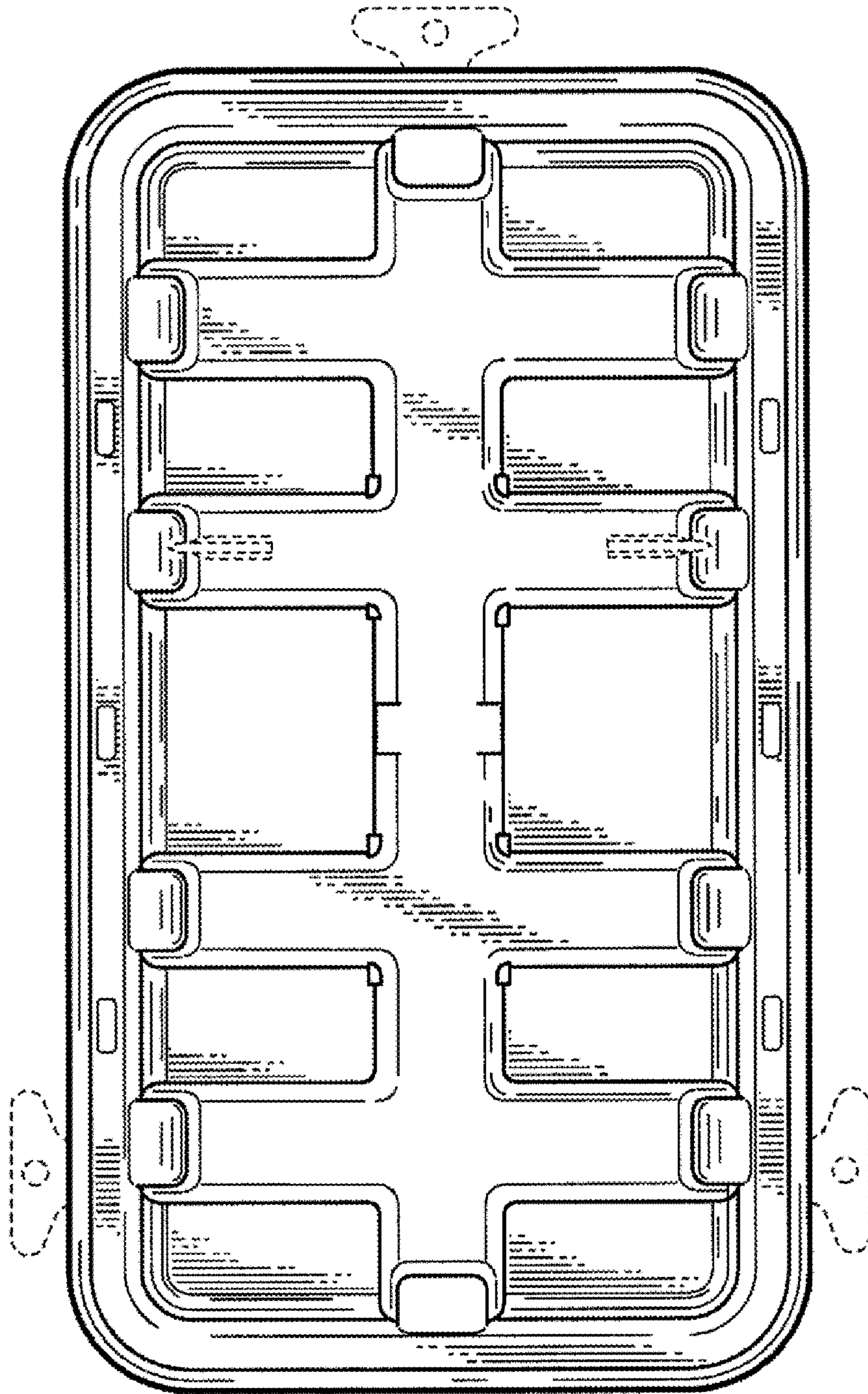


FIG. 5

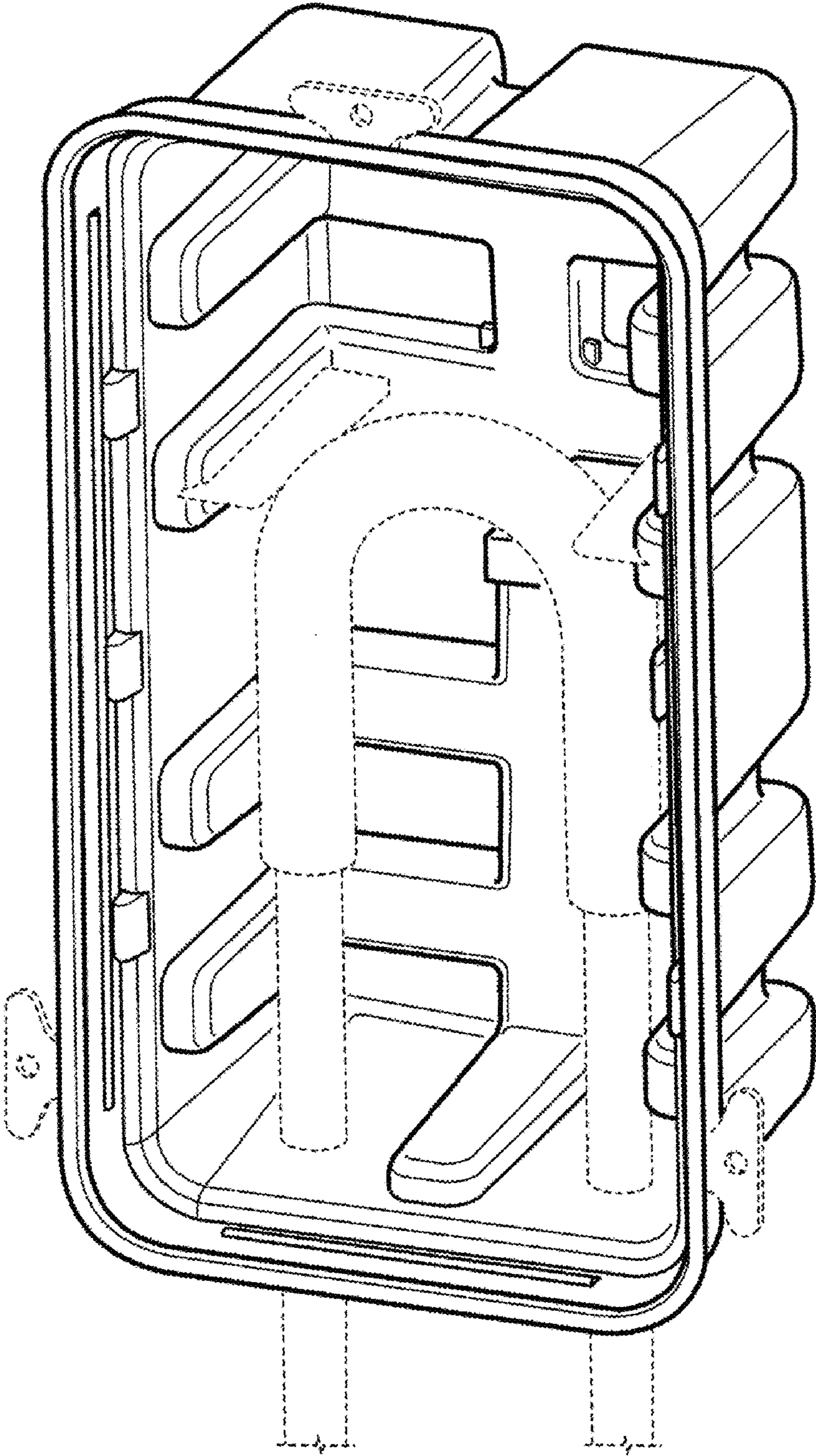


FIG. 6

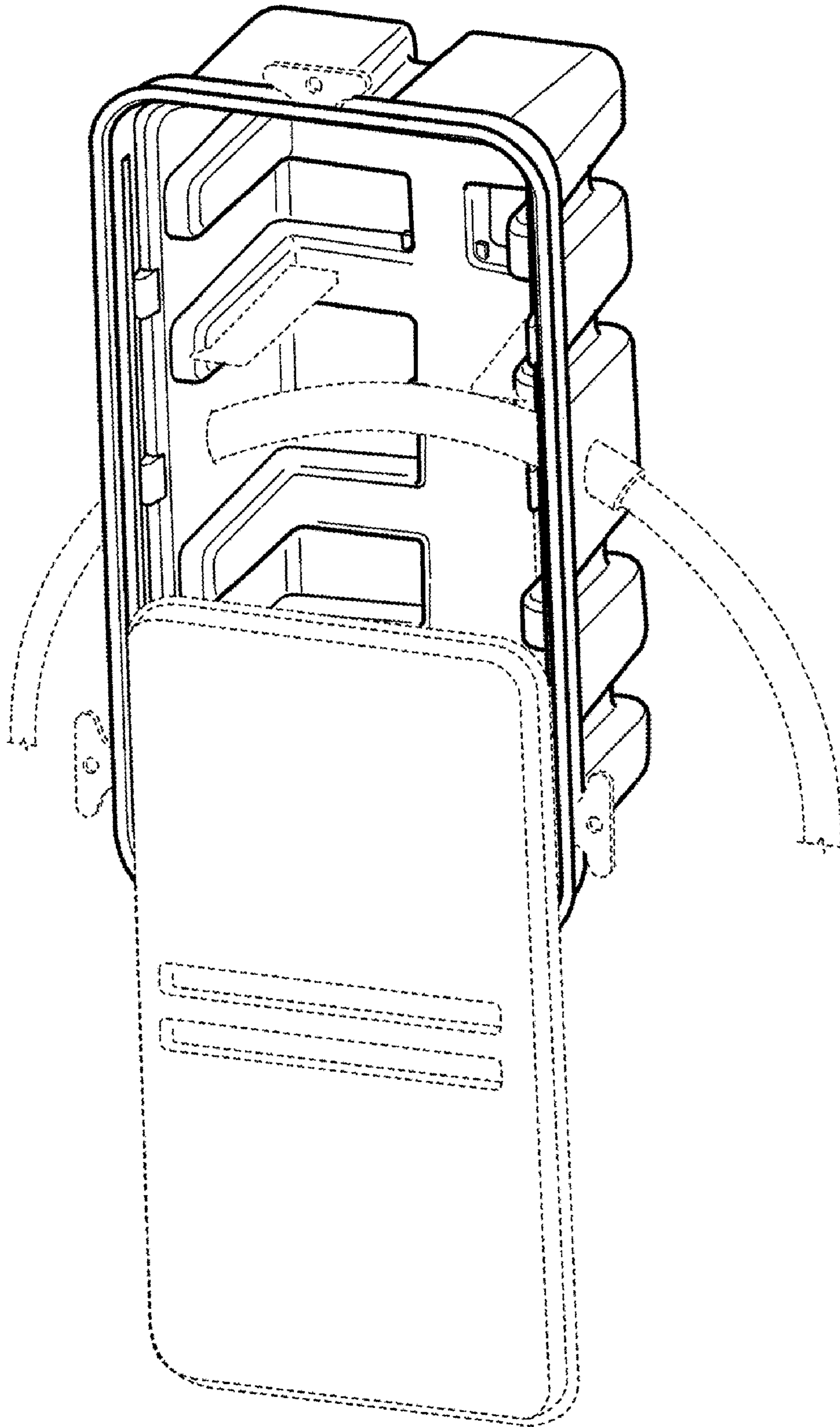


FIG. 7