



US00D672629S

(12) **United States Design Patent**
Chen

(10) **Patent No.:** **US D672,629 S**
(45) **Date of Patent:** **** Dec. 18, 2012**

(54) **SCREWDRIVER**

(76) Inventor: **Kuan-Wei Chen**, Taichung (TW)

(**) Term: **14 Years**

(21) Appl. No.: **29/385,317**

(22) Filed: **Feb. 11, 2011**

(51) **LOC (9) Cl.** **08-04**

(52) **U.S. Cl.** **D8/82**

(58) **Field of Classification Search** D8/21,
D8/24, 25, 29, 82-87, 107; 81/52, 177.1-177.4,
81/177.7, 489-491

See application file for complete search history.

(56) **References Cited**

U.S. PATENT DOCUMENTS

1,562,810	A *	11/1925	Towl	81/177.1
2,560,947	A *	7/1951	Greenberg	279/32
2,729,993	A *	1/1956	Preller	81/6
2,745,451	A *	5/1956	Neil	81/449
3,074,155	A *	1/1963	Hahn et al.	29/739
4,109,691	A *	8/1978	Wilson	81/119
D326,213	S *	5/1992	Freilich	D8/82
D376,528	S *	12/1996	Krapowicz	D8/82
D393,582	S *	4/1998	Antenbrink et al.	D8/82
D440,479	S *	4/2001	Hsiao	D8/82
D467,153	S *	12/2002	Edwards	D8/83
D503,080	S *	3/2005	Chen	D8/82
D503,606	S *	4/2005	McKain	D8/82
D538,129	S *	3/2007	Jansson et al.	D8/82
D567,621	S *	4/2008	Singh et al.	D8/83
D584,118	S *	1/2009	Halstead	D8/29
D600,524	S *	9/2009	Lai	D8/83
D616,278	S *	5/2010	Deguglimo et al.	D8/82

OTHER PUBLICATIONS

How to Disassemble Packard Bell. Downloaded at <http://paulov.com/2011/02/how-to-disassembly-packard-bell-lj-75-laptop-and-clean-coolin> . . . Jul. 30, 2012.*

Laptop and Mobile Phone Screwdrivers. Downloaded at <http://www.made-in-china.com/showroom/jlybesttool/product-detailiolQhWdyrjcE/China-> . . . Jul. 30, 2012.*

* cited by examiner

Primary Examiner — Philip S Hyder

Assistant Examiner — Roselynn Cody

(74) *Attorney, Agent, or Firm* — Browdy and Neimark, PLLC

(57) **CLAIM**

I claim the ornamental design for a screwdriver, as shown and described.

DESCRIPTION

FIG. 1 is a right perspective view of a screwdriver showing my new design;

FIG. 2 is a front elevational view thereof;

FIG. 3 is a rear elevational view thereof;

FIG. 4 is a left side elevational view thereof;

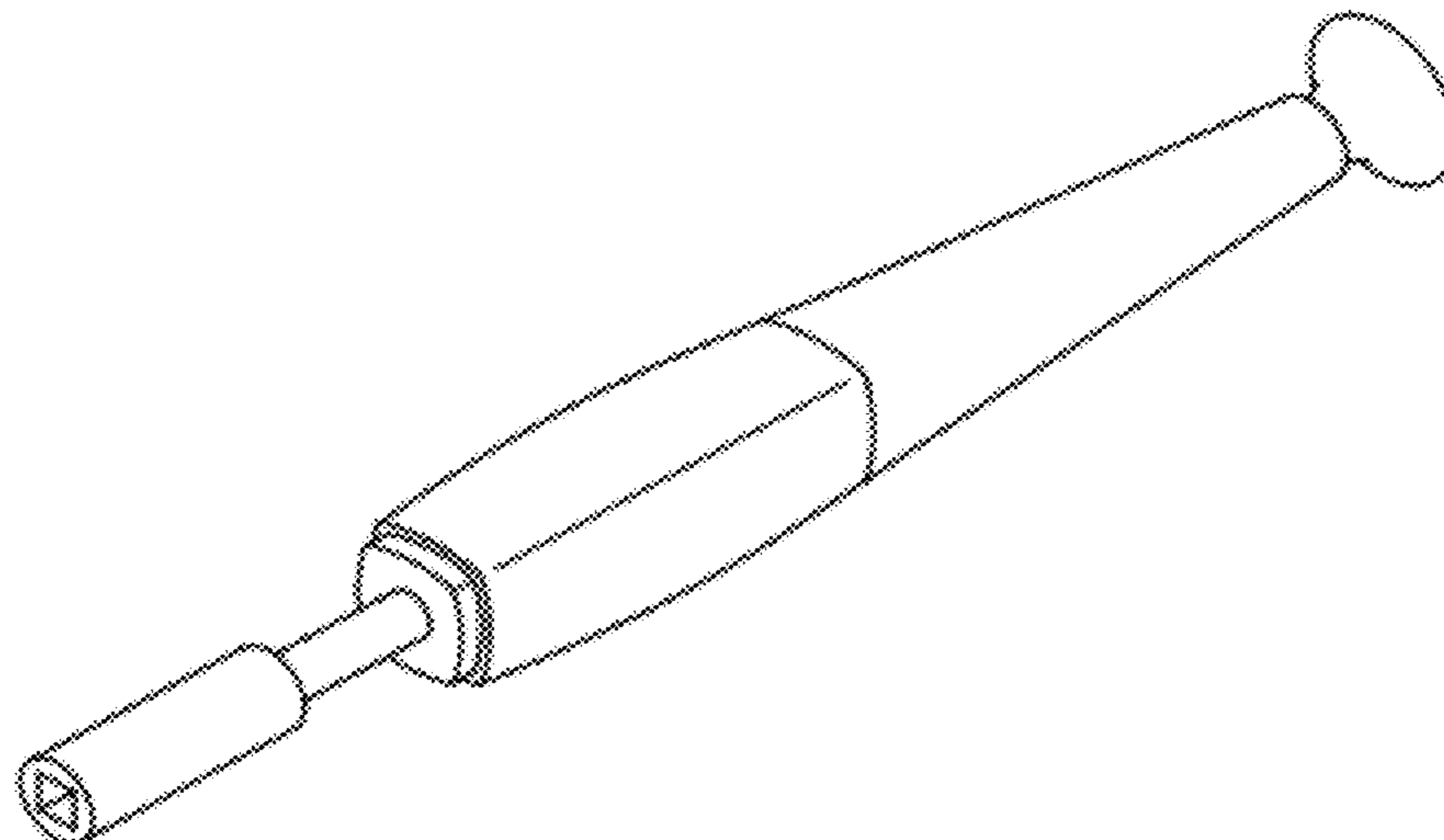
FIG. 5 is a right side elevational view thereof;

FIG. 6 is a top plan view thereof;

FIG. 7 is a bottom plan view thereof; and,

FIG. 8 is a left perspective view thereof.

1 Claim, 4 Drawing Sheets



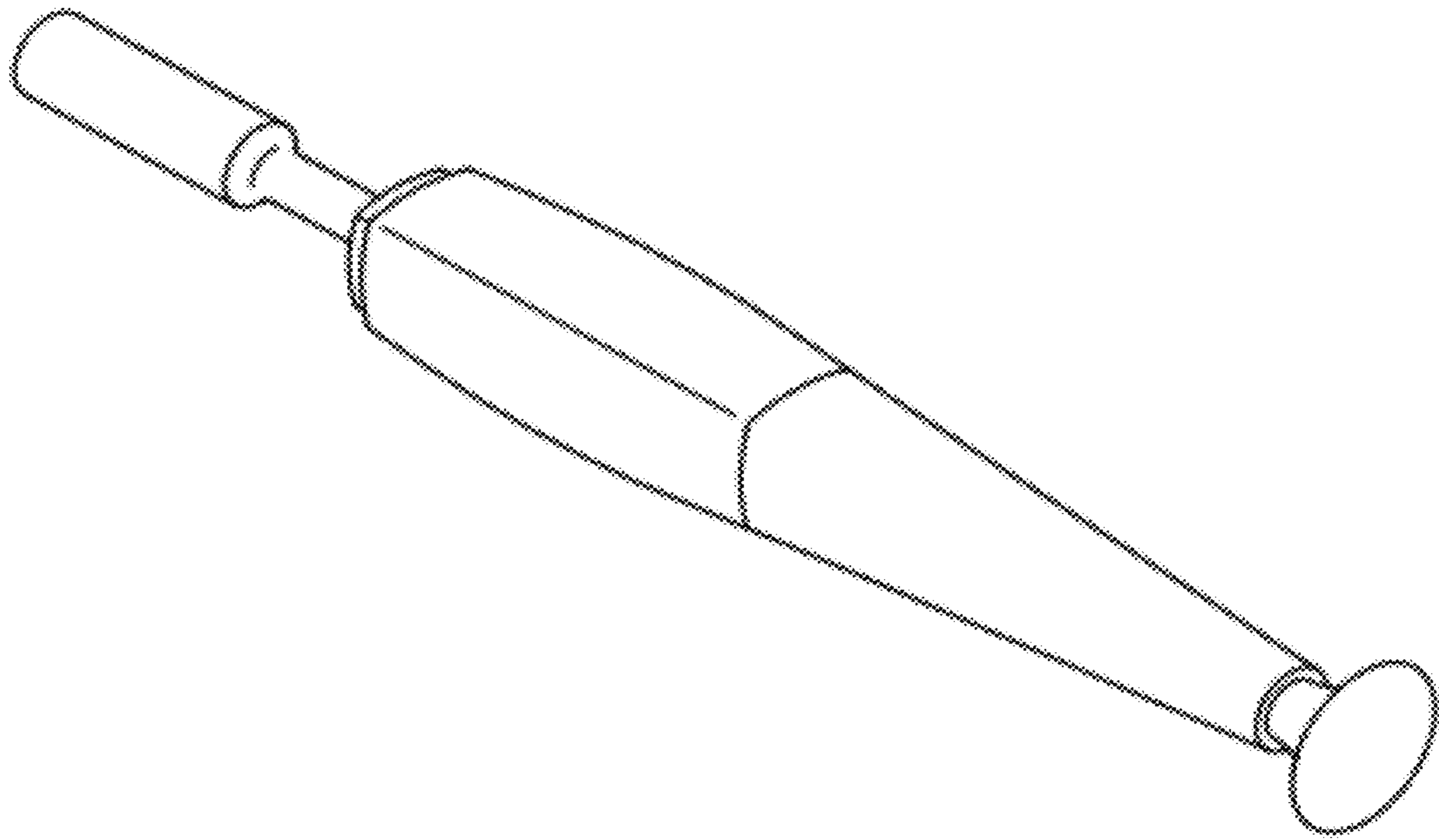


FIG. 1

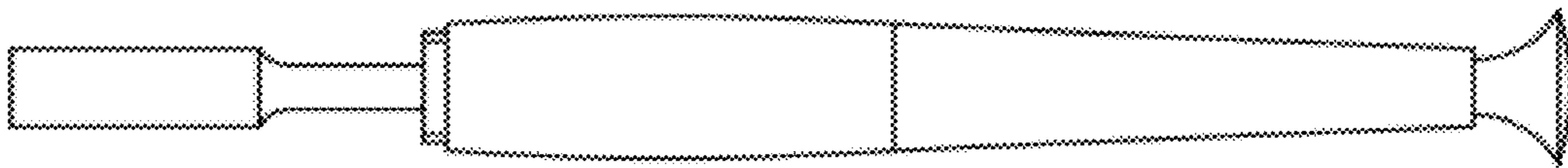


FIG. 2

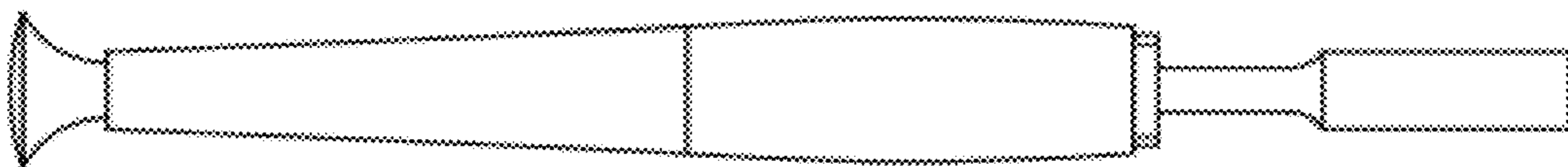


FIG. 3

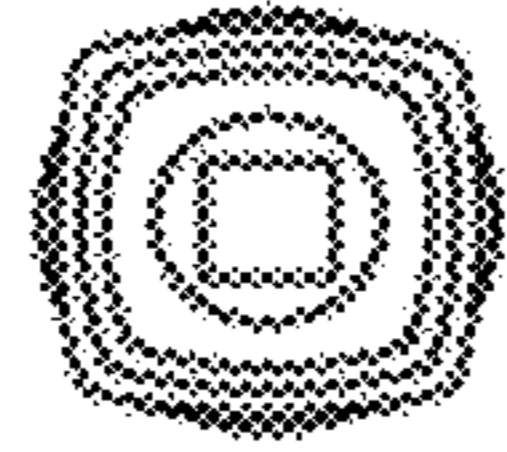


FIG. 4

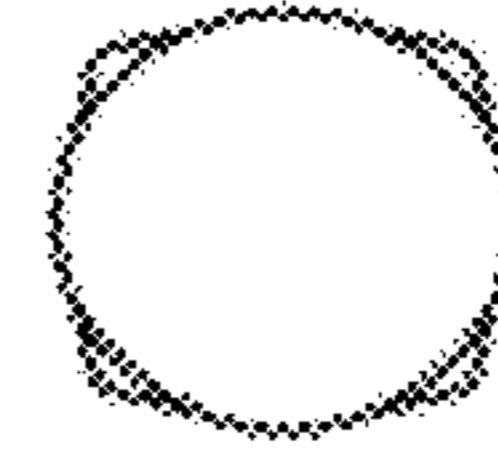


FIG. 5

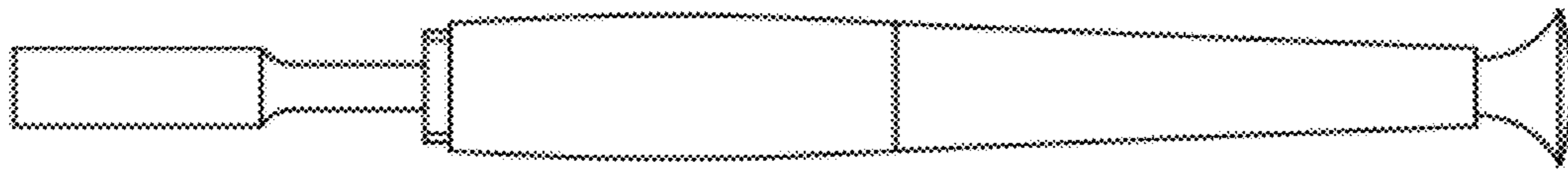


FIG. 6

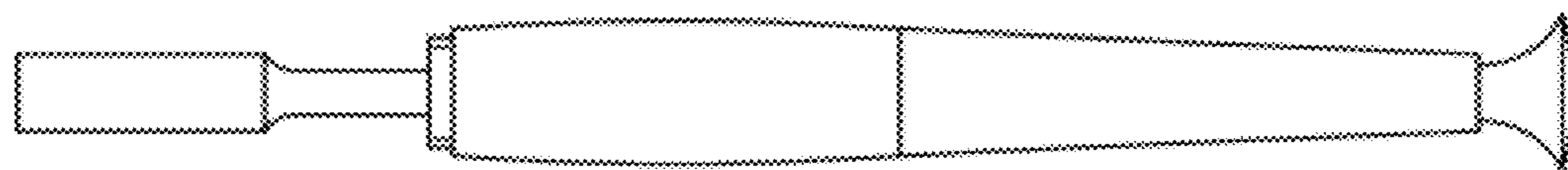


FIG. 7

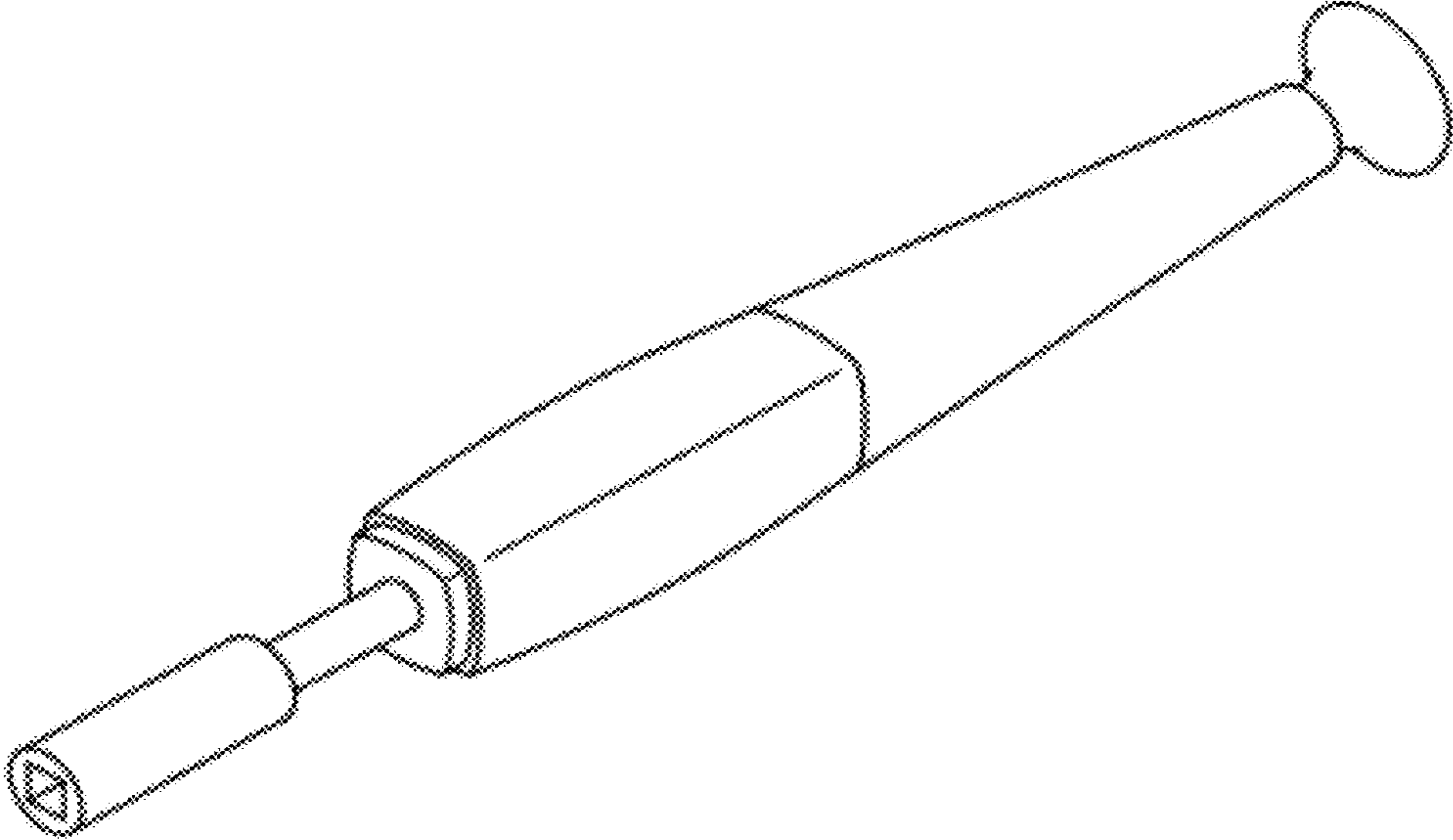


FIG. 8