



US00D672625S

(12) **United States Design Patent**
Serret

(10) **Patent No.:** **US D672,625 S**

(45) **Date of Patent:** **** Dec. 18, 2012**

(54) **THREADED BOLT TOOL**

(76) Inventor: **Raymond J. Serret**, Pleasantville, NY
(US)

(**) Term: **14 Years**

(21) Appl. No.: **29/394,741**

(22) Filed: **Jun. 21, 2011**

(51) **LOC (9) Cl.** **08-05**

(52) **U.S. Cl.** **D8/17**

(58) **Field of Classification Search** D8/17,
D8/18, 19, 21, 28, 105; 81/119, 120, 121.1,
81/124.3, 124.4, 125.1, 176.1, 176.2, 186
See application file for complete search history.

(56) **References Cited**

U.S. PATENT DOCUMENTS

D27,471 S	8/1897	Freas	D8/28
D29,109 S	7/1898	Bushnell	D8/28
763,745 A	6/1904	Gheen	7/138
D45,556 S	4/1914	Gravier	D8/17
D116,179 S	8/1939	Yates	D8/17
2,230,376 A	2/1941	Cullen	7/144
D152,822 S	2/1949	Overshiner	D8/16
2,545,979 A	3/1951	Tregear	81/3.57
2,716,367 A	8/1955	Montgomery	81/124.3
D227,768 S	7/1973	Griffiths		
D245,095 S	7/1977	Murray		
D248,613 S	7/1978	Pace et al.		
D270,807 S *	10/1983	Dilliner	D8/18
D282,046 S	1/1986	Dumond et al.	D8/17
D288,893 S	3/1987	Epstein	D8/17
D298,212 S	10/1988	Gross	D8/349

(Continued)

OTHER PUBLICATIONS

Lee Valley & Veritas, Hardware Catalog, Sep. 2009, 2 pages.

Primary Examiner — Raphael Barkai
Assistant Examiner — Randall Gholson

(74) *Attorney, Agent, or Firm* — Andrew F. Young, Esq.;
Lackebach Siegel, LLP

(57) **CLAIM**

The ornamental design for a threaded bolt tool, as shown and described.

DESCRIPTION

This application relates to and claims priority to U.S. Design patent D628,866 issued Dec. 14, 2010 and U.S. Design application Ser. No. 29/378,664 filed Nov. 8, 2010 currently allowed, the entire contents of each of which are incorporated herein fully by reference.

FIG. 1 is a front perspective view of an end of a threaded bolt tool embodiment of the present invention, the claimed portion existing as shown.

FIG. 2 is a front elevation view of FIG. 1.

FIG. 3 is a right side elevation view of FIG. 1, the left side being a mirror image thereof.

FIG. 4 is a bottom plan view of FIG. 1, the top plan view being a respective mirror image thereof.

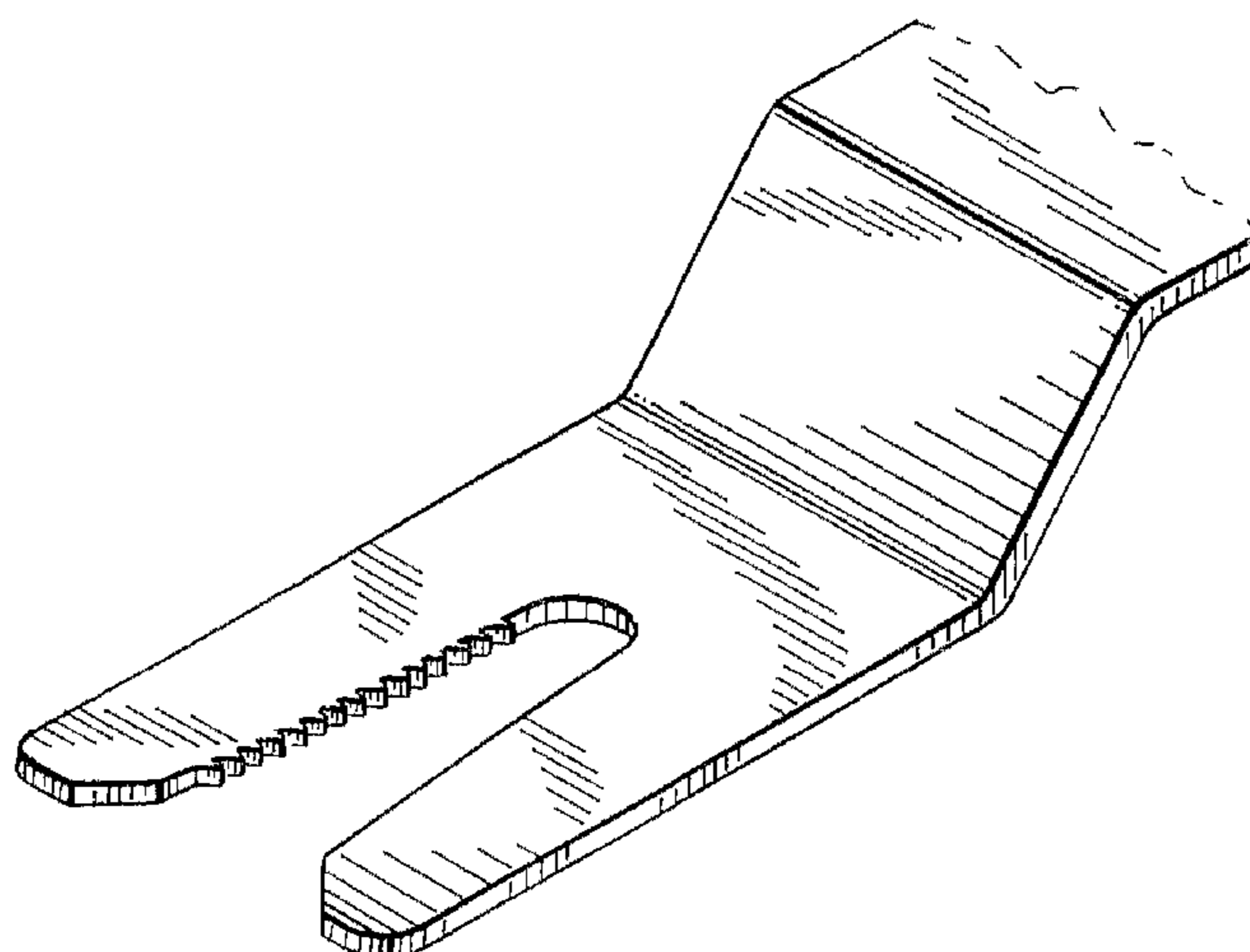
FIG. 5 is a front perspective view of an end of a threaded bolt tool embodiment of the present invention, the claimed portion existing as shown.

FIG. 6 is a front elevation view of FIG. 5, the rear view not being visible as disclaimed subject matter and thus not provided; and,

FIG. 7 is a bottom plan view of FIG. 5, the top plan view being a mirror image thereof.

The dashed lines shown in FIGS. 1-7 illustrate portions which form no part of the claimed design. There is no claim in FIGS. 1-7 to the portion of the tool following the break-identifier, as indicated by the use of a dashed-break line. Should this termination line need to be shown in different shadowed boundary line to reach this statement, adjustment will be made upon instruction from the office.

1 Claim, 3 Drawing Sheets



US D672,625 S

Page 2

U.S. PATENT DOCUMENTS

5,259,281 A	11/1993	Burke	7/138	D488,689 S *	4/2004	Smith, IV	D8/33
D344,693 S	3/1994	Tierce et al.		D514,403 S	2/2006	Wolf	D8/21
D345,681 S	4/1994	Bruzzi		D558,542 S *	1/2008	Kiely	D8/19
D393,578 S	4/1998	Keddie	D8/17	D578,363 S	10/2008	Cacciacarne	
D402,515 S	12/1998	McIntyre		D618,075 S *	6/2010	Huang	D8/20
D410,826 S	6/1999	Hsieh	D8/28	D642,027 S *	7/2011	Serret	D8/17
D411,945 S	7/1999	Chen	D8/28	D642,448 S *	8/2011	Lee et al.	D8/356
D414,995 S	10/1999	Hsieh	D8/17	D646,342 S *	10/2011	John	D21/687
D420,873 S	2/2000	Hsieh	D8/28	D654,770 S *	2/2012	Frank et al.	D8/40
D465,976 S	11/2002	Wang		D661,558 S *	6/2012	Oymaian	D8/17

* cited by examiner

FIG. 1

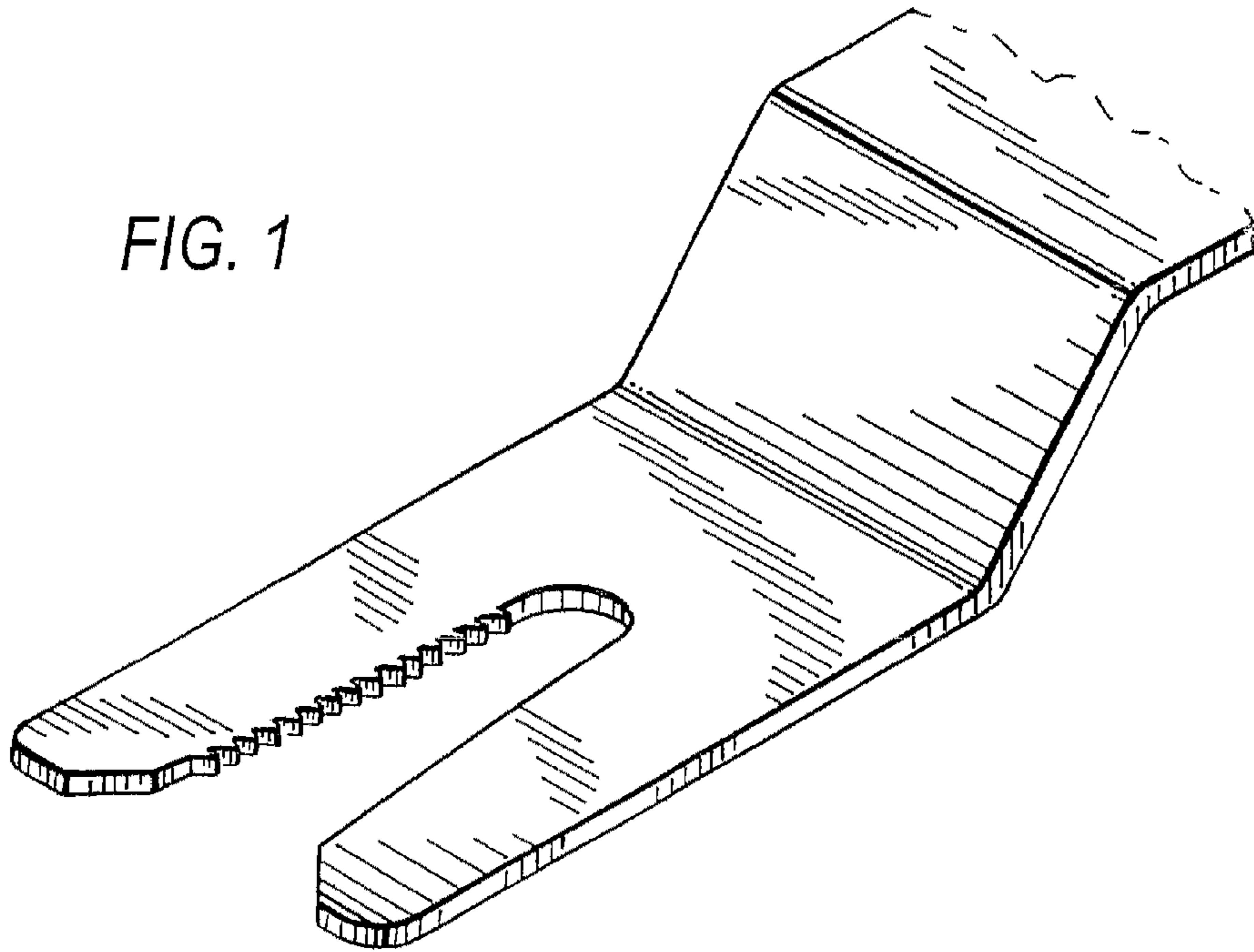
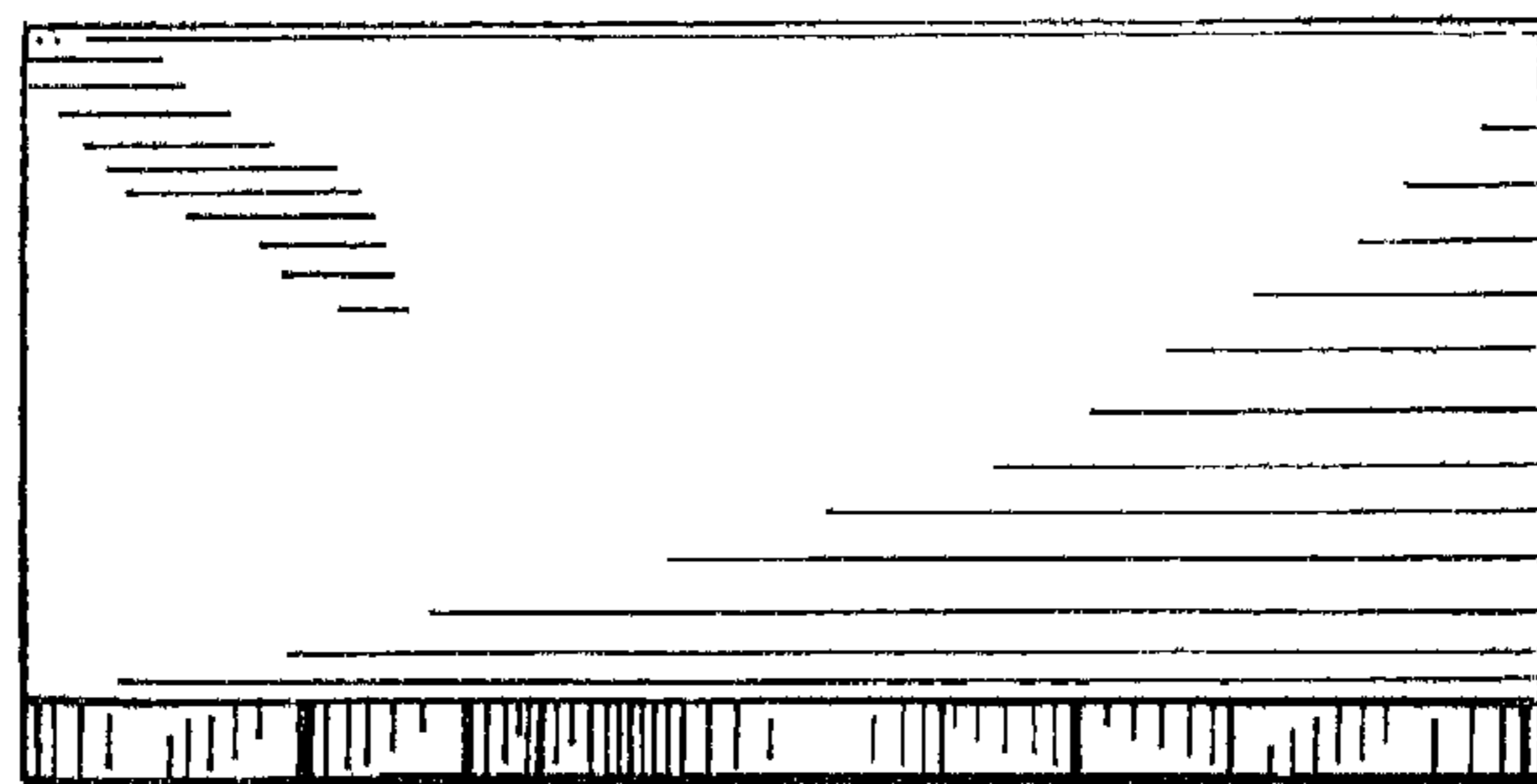


FIG. 2



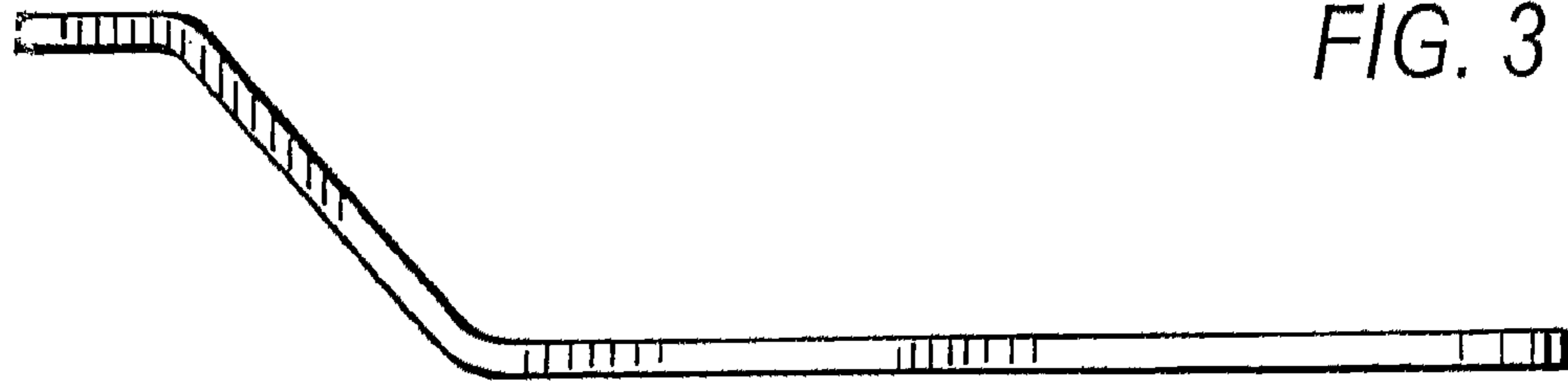


FIG. 3

FIG. 4

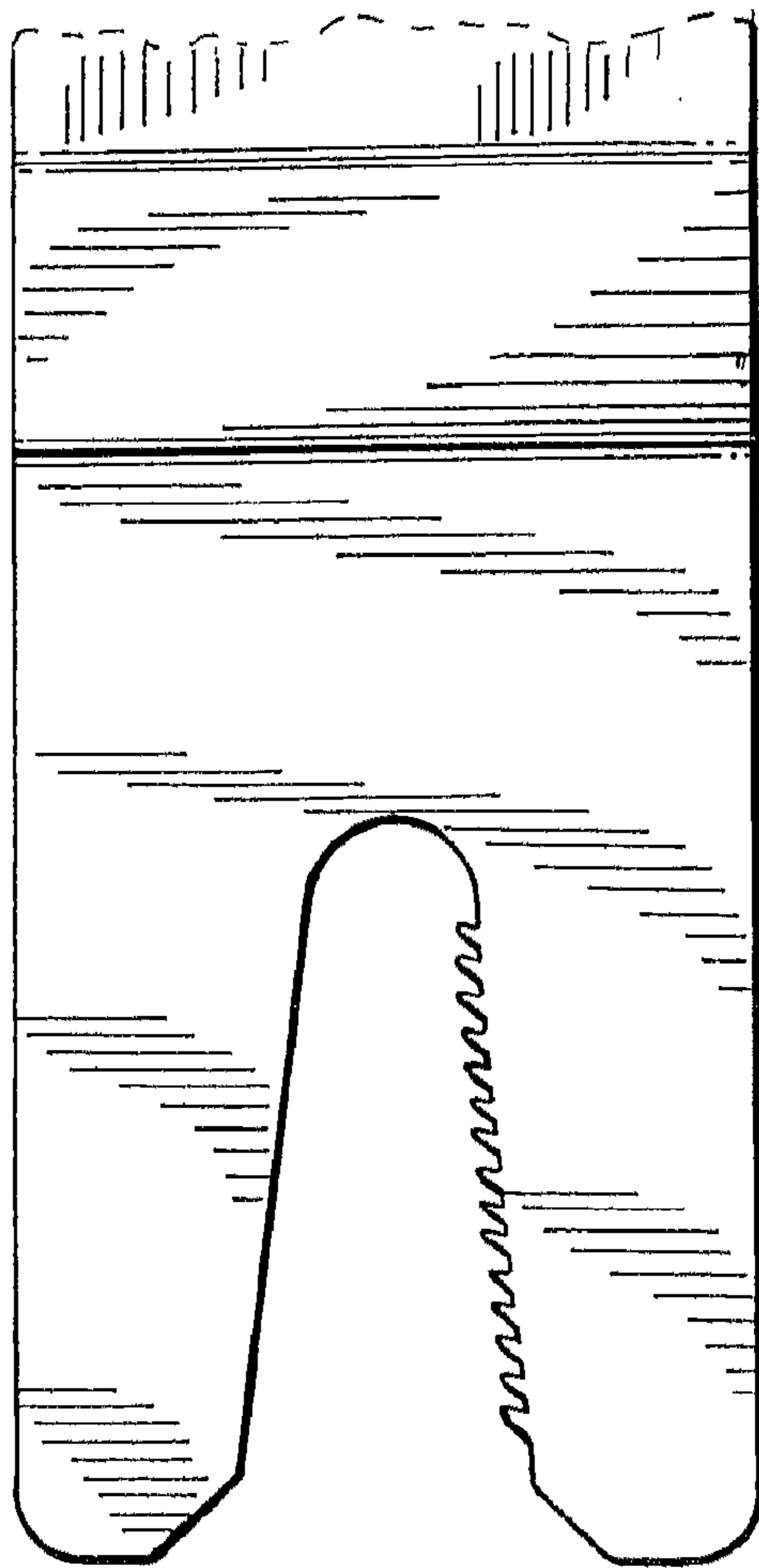


FIG. 5

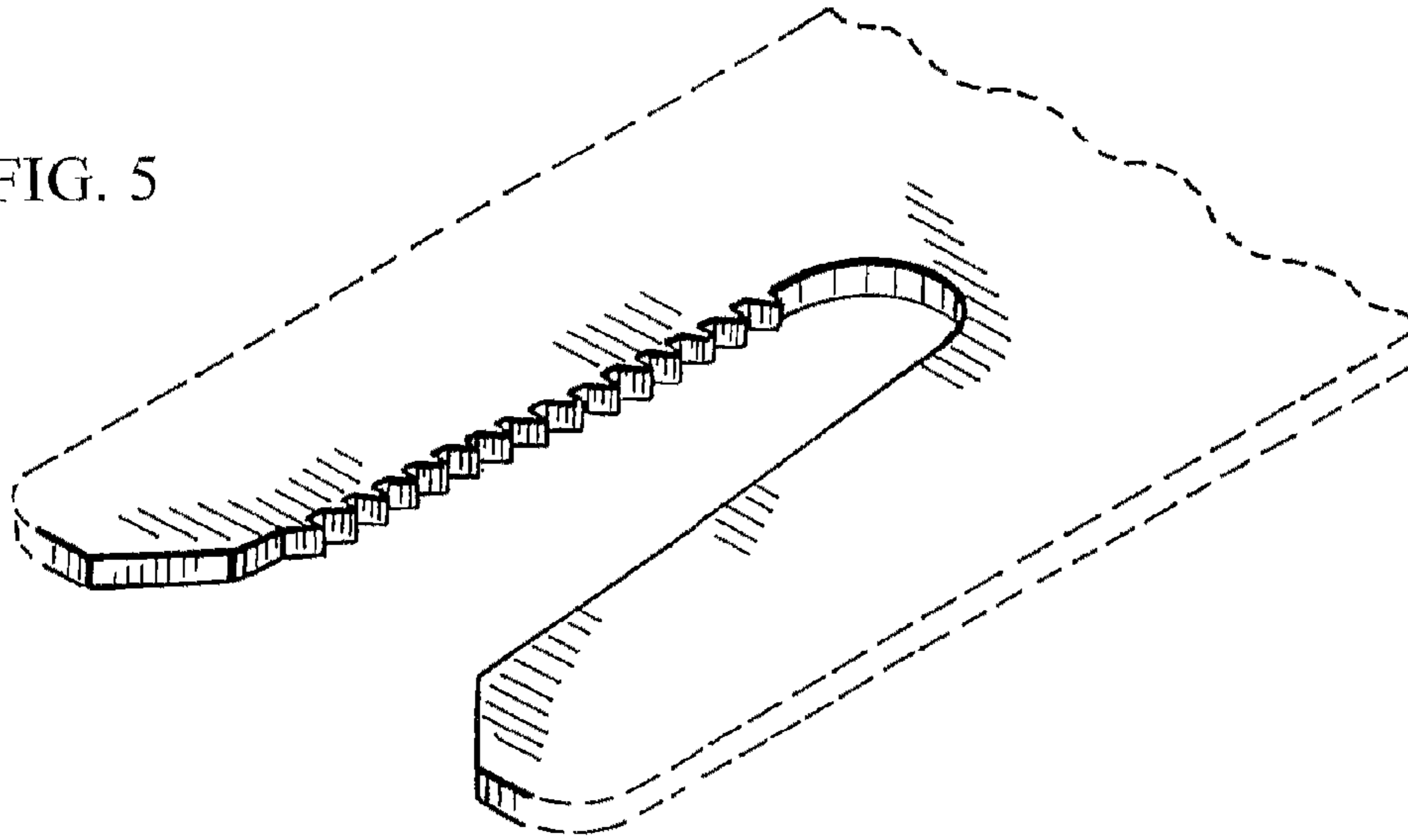


FIG. 6

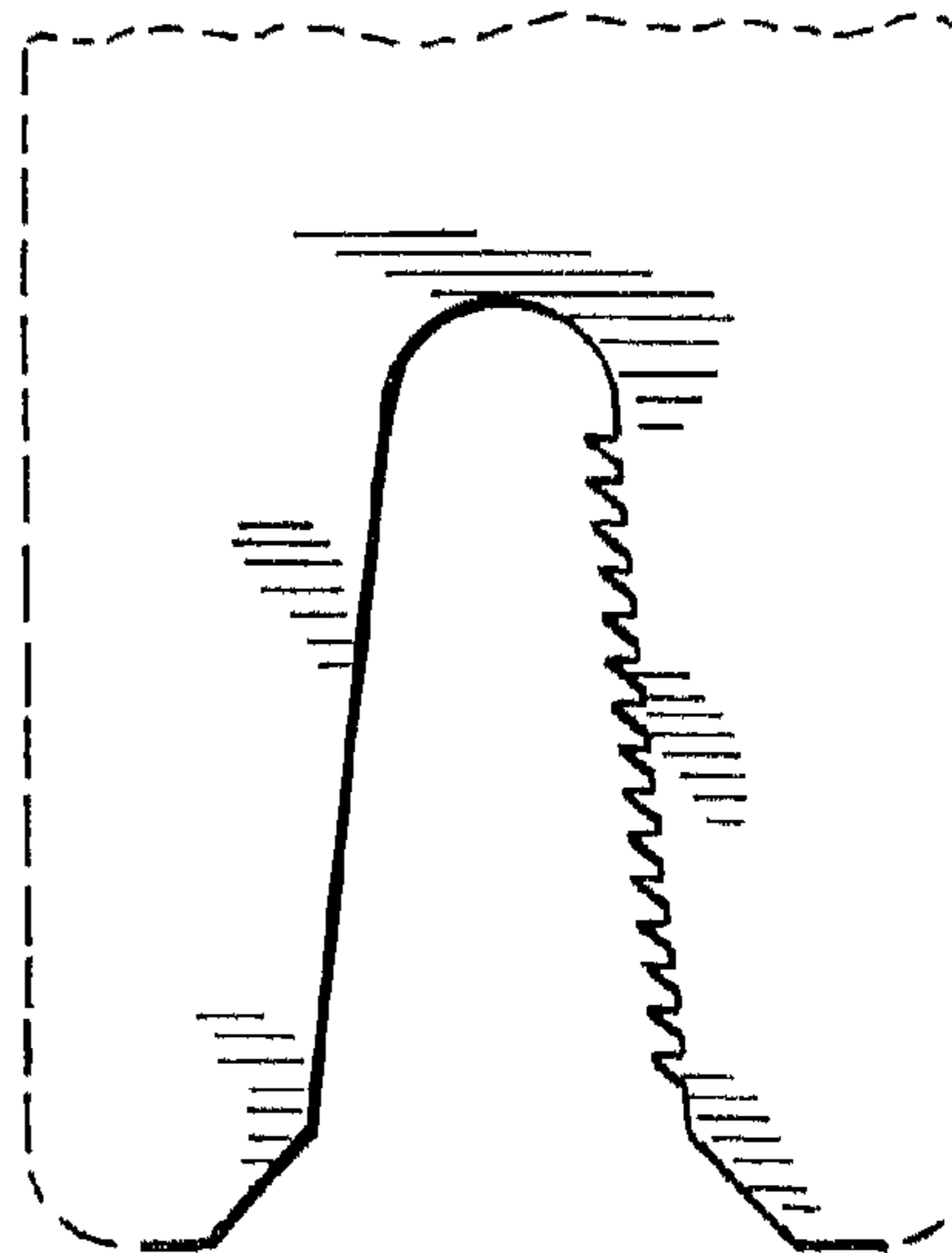


FIG. 7