



US00D672624S

(12) **United States Design Patent**
Nääs

(10) **Patent No.:** **US D672,624 S**

(45) **Date of Patent:** **** Dec. 18, 2012**

(54) **TRIMMER**

(75) Inventor: **Marcus Nääs**, Tyresö (SE)

(73) Assignee: **Husqvarna AB**, Huskvarna (SE)

(**) Term: **14 Years**

(21) Appl. No.: **29/407,126**

(22) Filed: **Nov. 23, 2011**

(30) **Foreign Application Priority Data**

May 25, 2011 (EM) 001868647

(51) **LOC (9) Cl.** **08-01**

(52) **U.S. Cl.** **D8/8**

(58) **Field of Classification Search** D8/7, 8,
D8/9; 30/208, 276, 228, 382, 383, 216; 56/12.7,
56/233-237; 172/13; D15/1
See application file for complete search history.

(56) **References Cited**

U.S. PATENT DOCUMENTS

D342,875 S * 1/1994 Franke et al. D8/8
D358,308 S * 5/1995 Griffin D8/8
D361,336 S * 8/1995 Tinius D15/1
D361,702 S * 8/1995 Kidwell et al. D8/8
D416,265 S * 11/1999 Kato et al. D15/1

D478,793 S * 8/2003 Holmdahl et al. D8/8
7,520,061 B2 * 4/2009 Herzog et al. 30/276
D605,910 S * 12/2009 Tinius D8/8
D638,856 S * 5/2011 Koizumi et al. D15/5
D644,664 S * 9/2011 Sugiyama et al. D15/1
D653,509 S * 2/2012 Tinius D8/8

* cited by examiner

Primary Examiner — Sheryl Lane

(74) *Attorney, Agent, or Firm* — Nelson Mullins Riley & Scarborough LLP

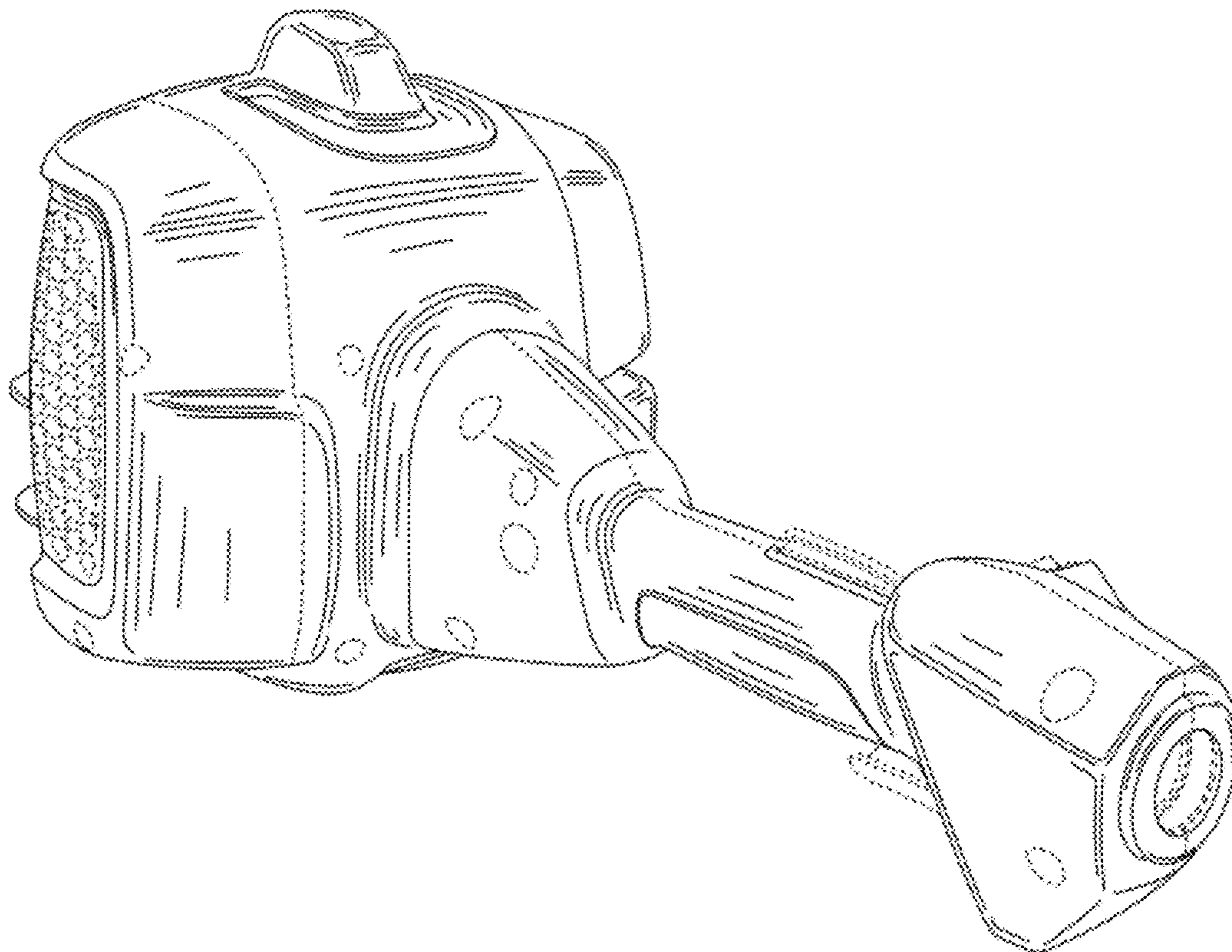
(57) **CLAIM**

I claim the ornamental design for a trimmer, as shown and described.

DESCRIPTION

FIG. 1 is a top perspective view of a trimmer in accordance with an embodiment of the present invention; FIG. 2 is a right side view of the trimmer of FIG. 1; FIG. 3 is a left side view of the trimmer of FIG. 1; FIG. 4 is a top plan view of the trimmer of FIG. 1; FIG. 5 is a bottom plan view of the trimmer of FIG. 1; FIG. 6 is a front view of the trimmer of FIG. 1; and, FIG. 7 is a rear view of the trimmer of FIG. 1. The broken lines represent environment and form no part of the claimed design.

1 Claim, 6 Drawing Sheets



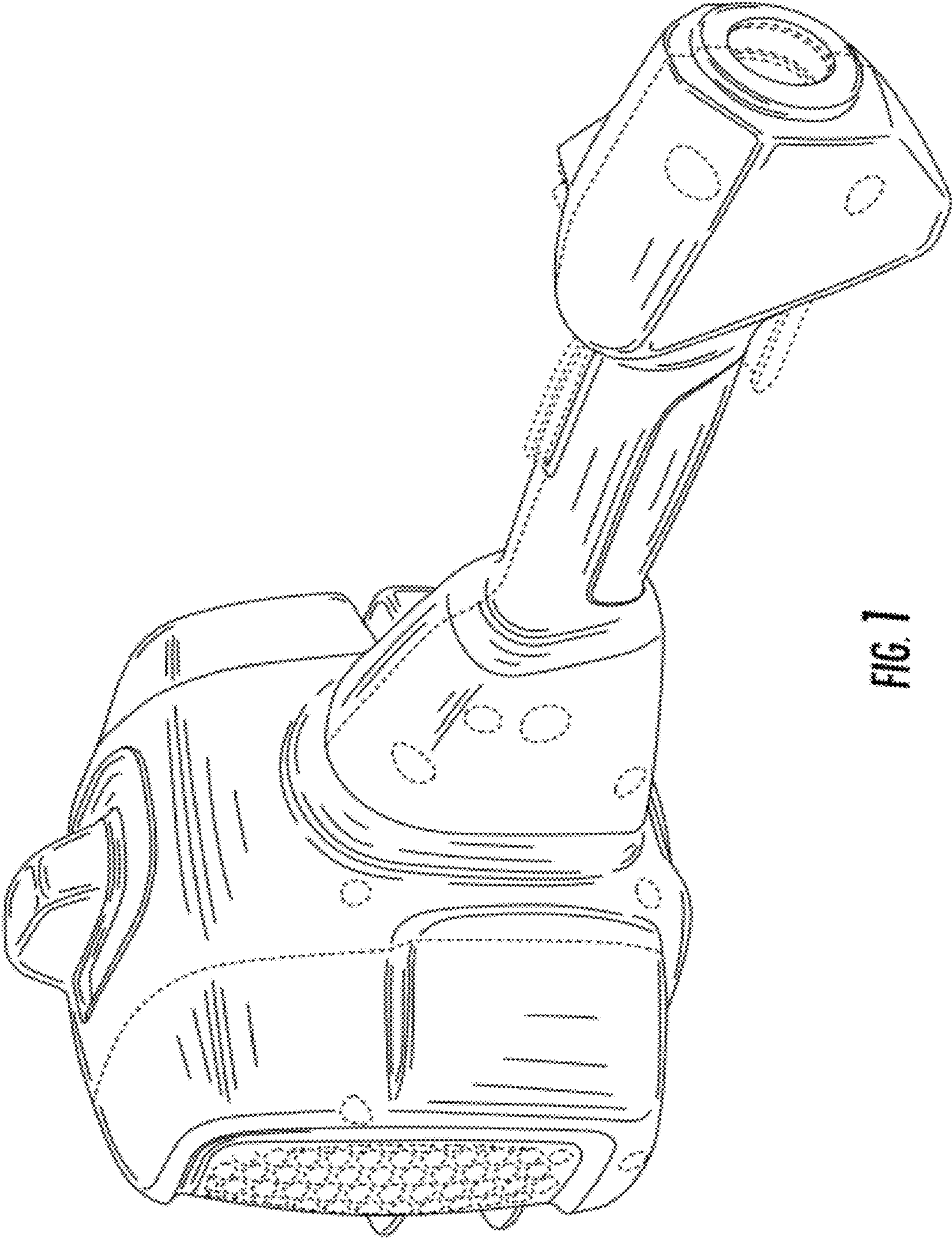


FIG. 1



FIG. 2

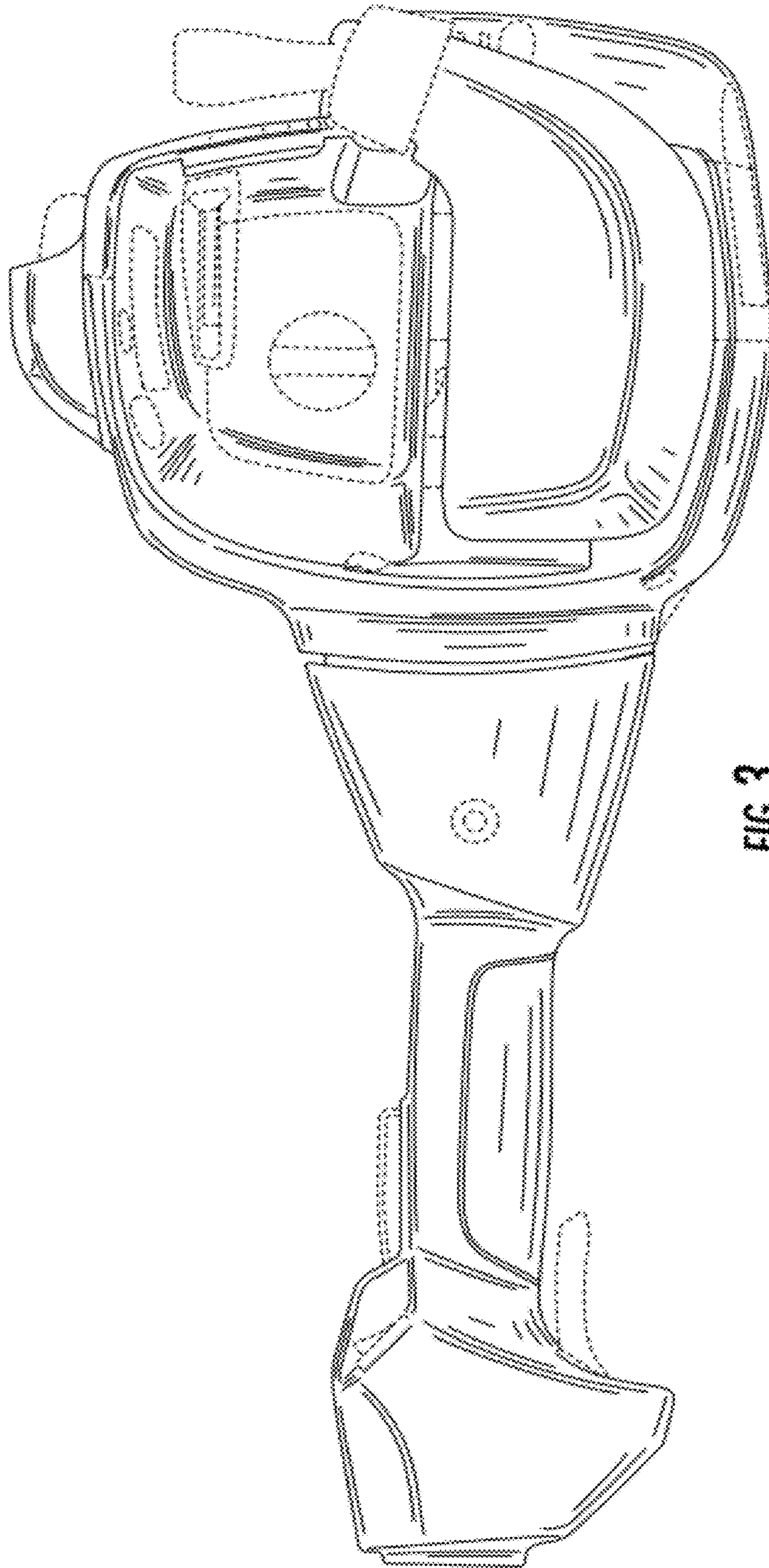


FIG. 3

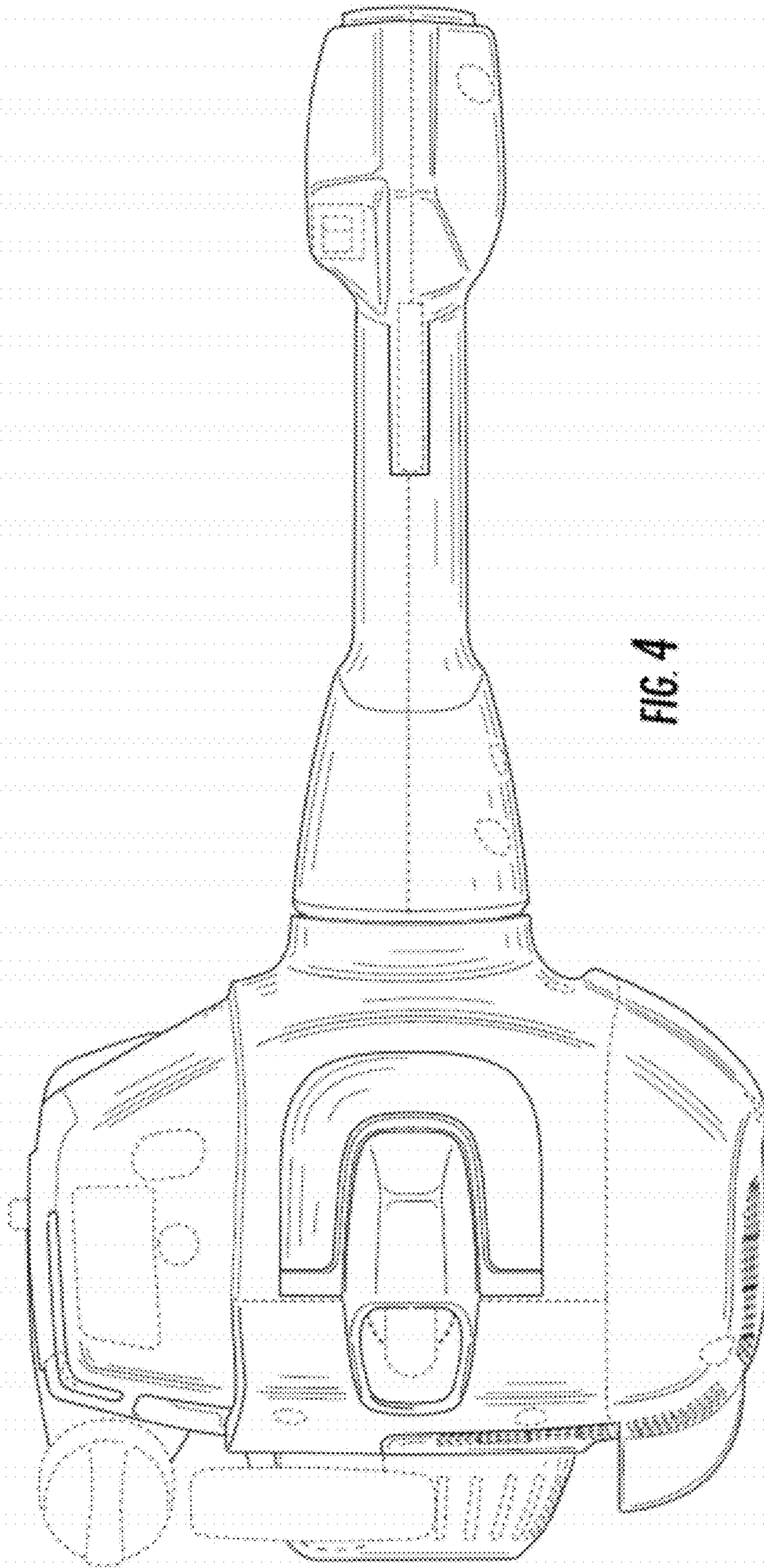


FIG. 4

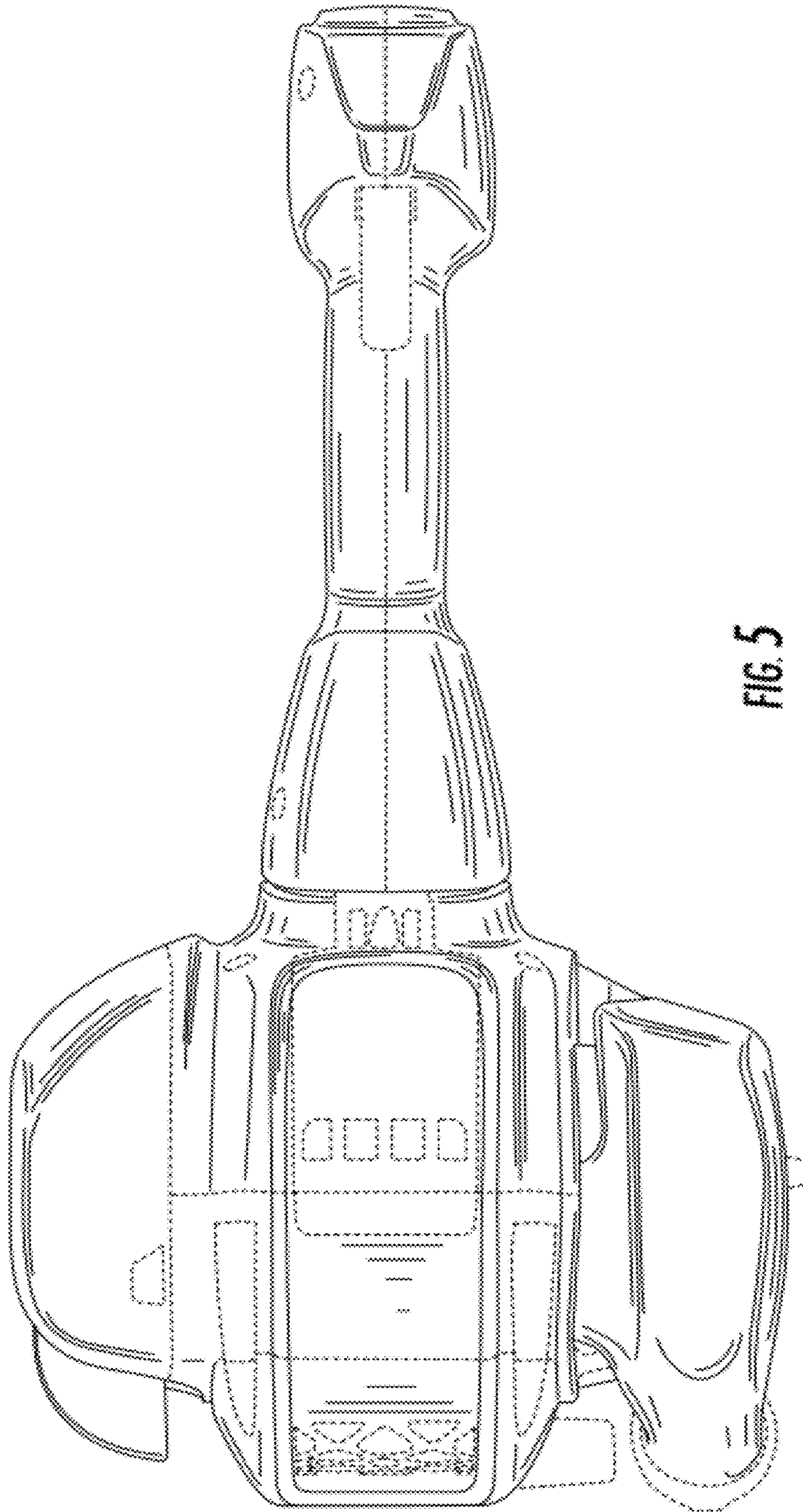


FIG. 5

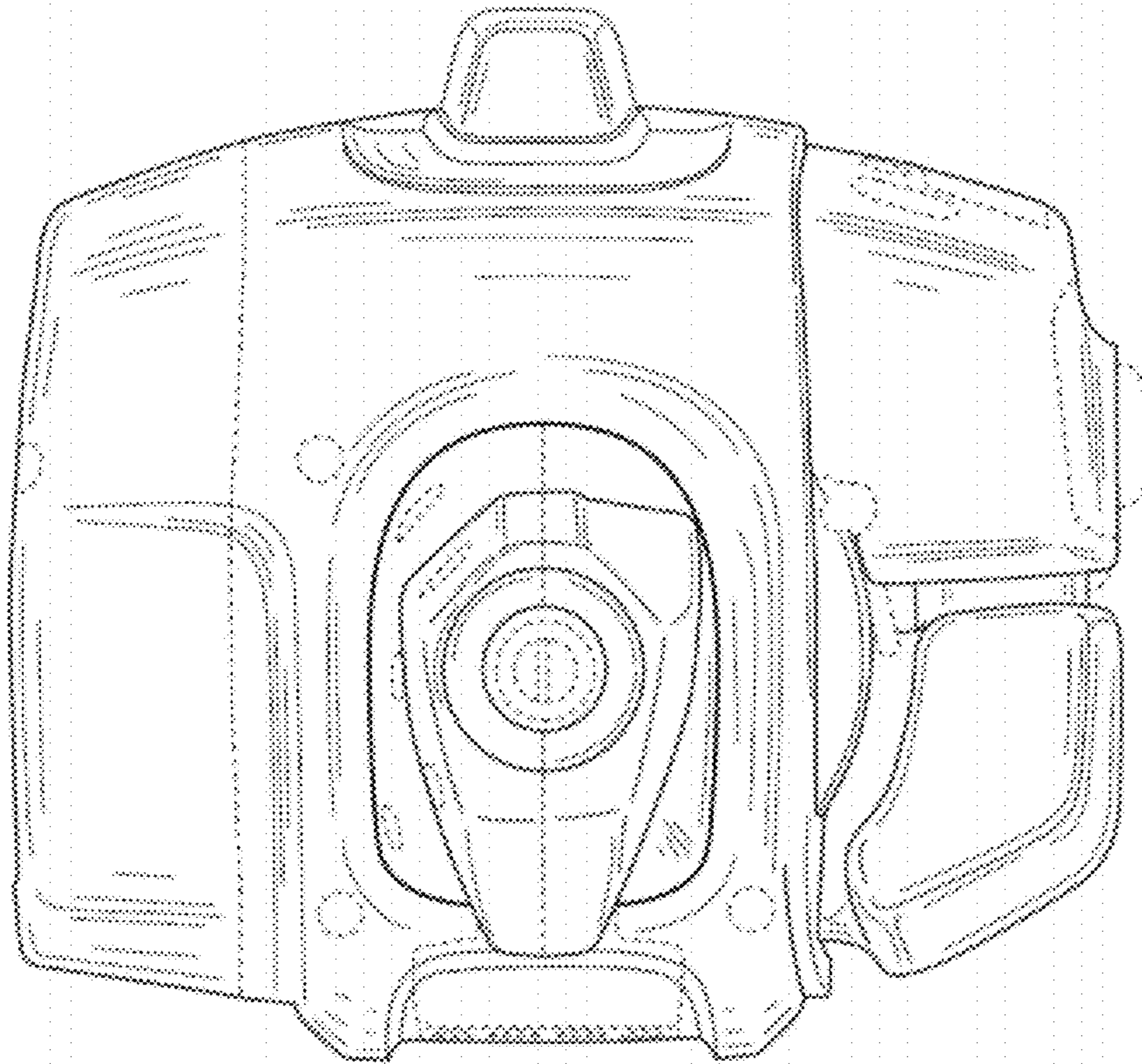


FIG. 6

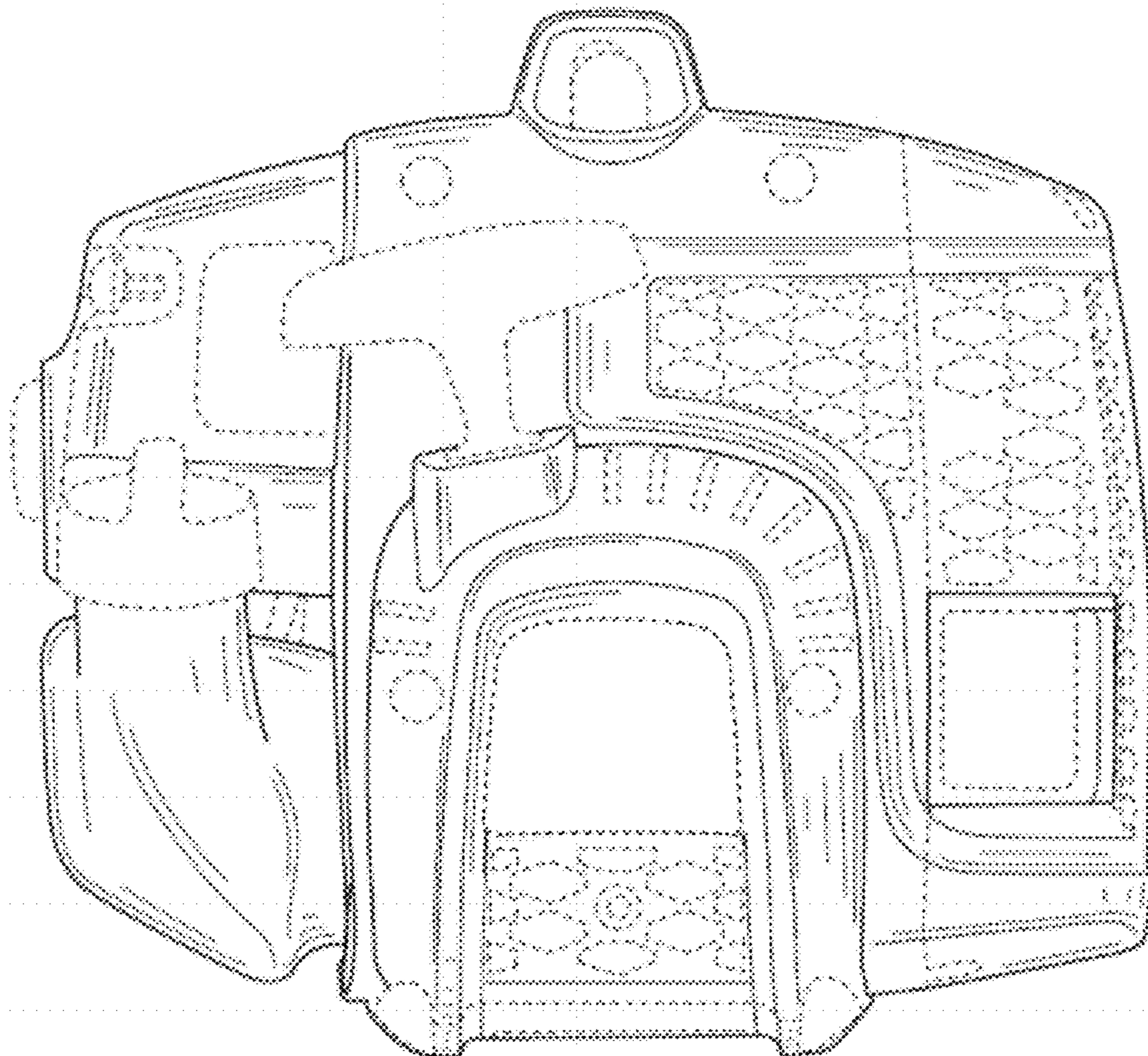


FIG. 7