



US00D672618S

(12) **United States Design Patent**  
**Stamper et al.**

(10) **Patent No.:** **US D672,618 S**

(45) **Date of Patent:** **\*\* Dec. 18, 2012**

(54) **THREAD TOP CONTAINER**

(75) Inventors: **Leonard R. Stamper**, Anaheim Hills, CA (US); **Brian Sykes**, Mission Viejo, CA (US)

(73) Assignee: **Shye Worldwide, LLC, (CA Ltd Liability Co.)**, Tustin, CA (US)

(\*\*) Term: **14 Years**

(21) Appl. No.: **29/402,992**

(22) Filed: **Sep. 30, 2011**

(51) **LOC (9) Cl.** ..... **07-07**

(52) **U.S. Cl.** ..... **D7/602**

(58) **Field of Classification Search** ..... D7/601, D7/602, 629, 630, 538-542, 612-615; 220/708-802, 220/675, 574-575, 236, 324, 326, 4.23-4.25, 220/735, 23.83, 23.87, 771; D9/529, 549, D9/558, 537, 424, 428, 429  
See application file for complete search history.

(56) **References Cited**

**U.S. PATENT DOCUMENTS**

5,310,074 A \* 5/1994 Jochem et al. .... 220/296  
5,356,026 A \* 10/1994 Andress et al. .... 206/508  
5,634,569 A \* 6/1997 DeCoster ..... 220/735

D508,187 S \* 8/2005 Dais et al. .... D7/602  
D508,188 S \* 8/2005 Zettle et al. .... D7/629  
D514,390 S \* 2/2006 Palder ..... D7/602  
D522,319 S \* 6/2006 Palder ..... D7/602  
D527,588 S \* 9/2006 de Groote et al. .... D7/693  
D542,591 S \* 5/2007 Carlson ..... D7/354  
D601,857 S \* 10/2009 Carlson ..... D7/602

\* cited by examiner

*Primary Examiner* — Terry Wallace

(74) *Attorney, Agent, or Firm* — Curtis L. Harrington; Harrington & Harrington

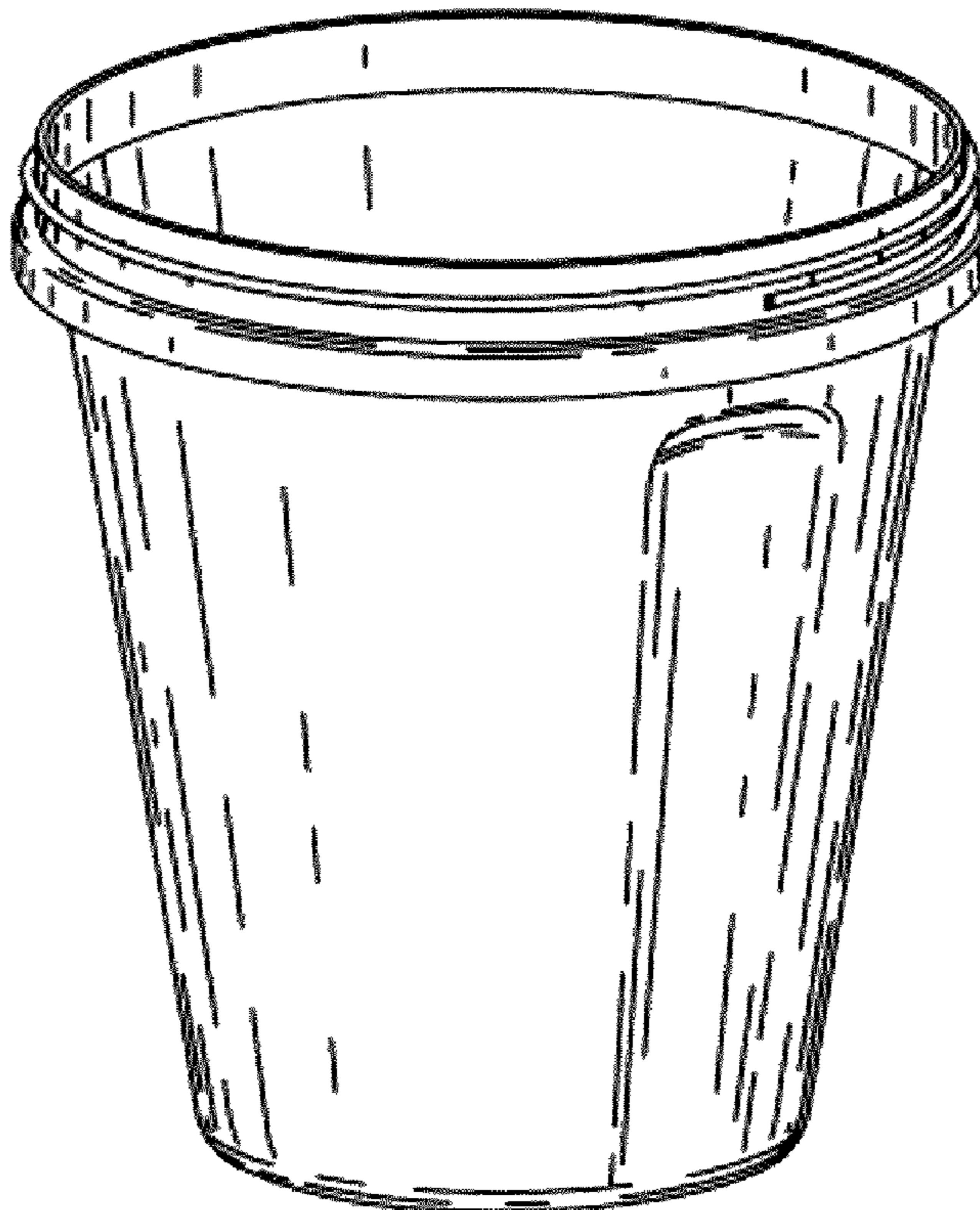
(57) **CLAIM**

The ornamental design for a thread top container, as shown and described.

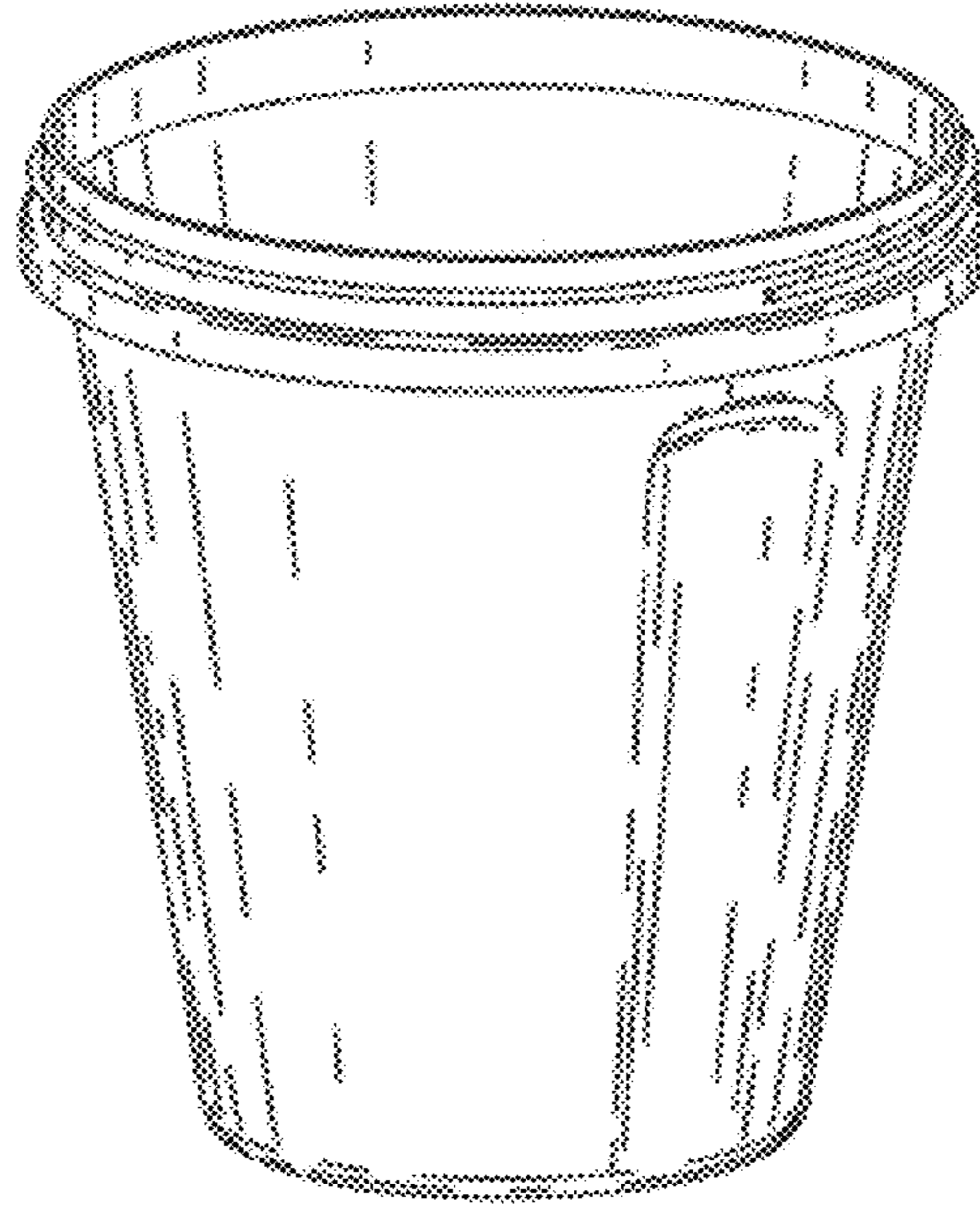
**DESCRIPTION**

FIG. 1 is a perspective view of a thread top container; FIG. 2 is a front view, FIG. 3 is a rear view, FIG. 4 is a left side view; FIG. 5 is a right side view; FIG. 6 is a top view; and, FIG. 7 is a bottom view.

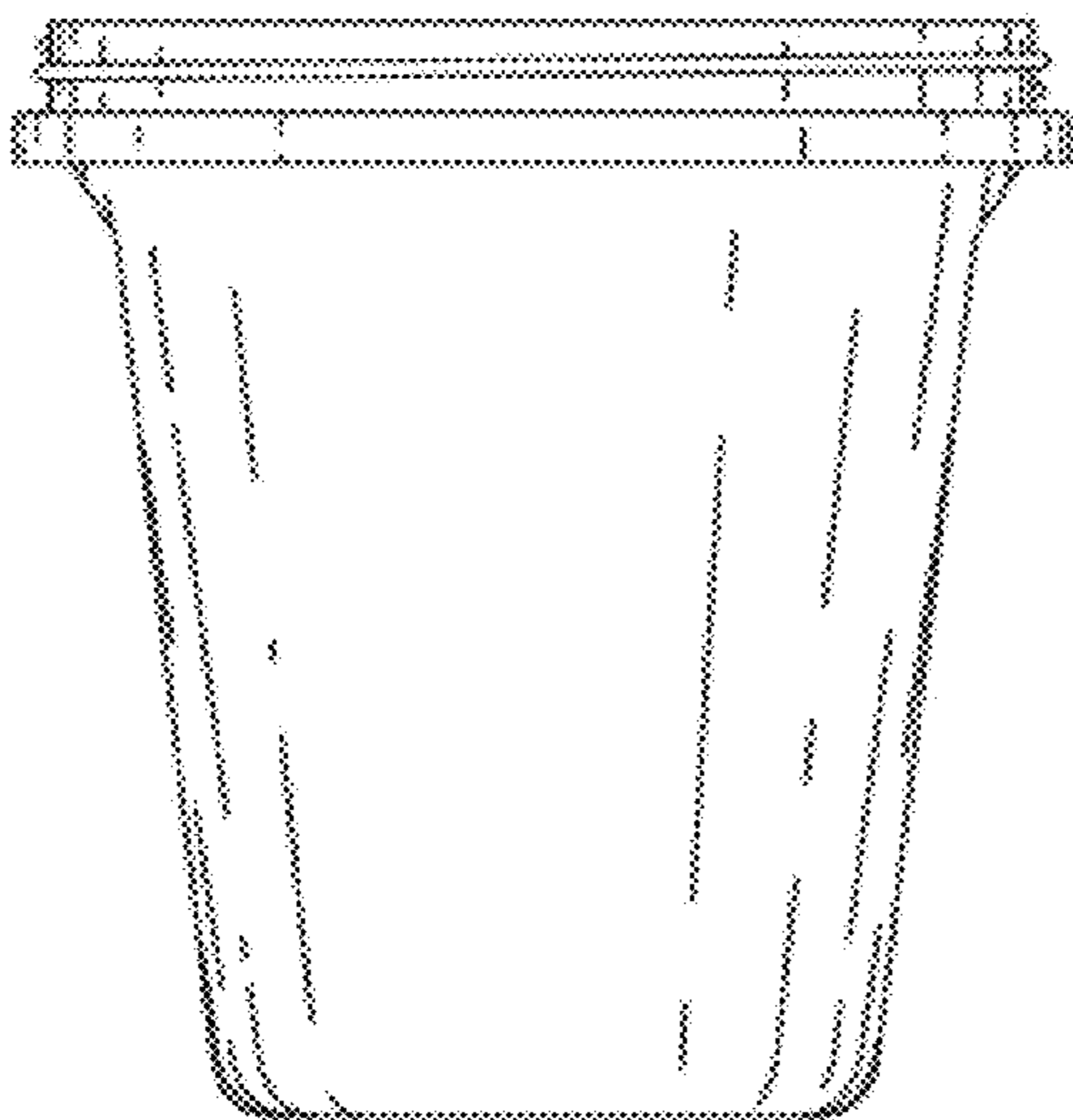
**1 Claim, 2 Drawing Sheets**



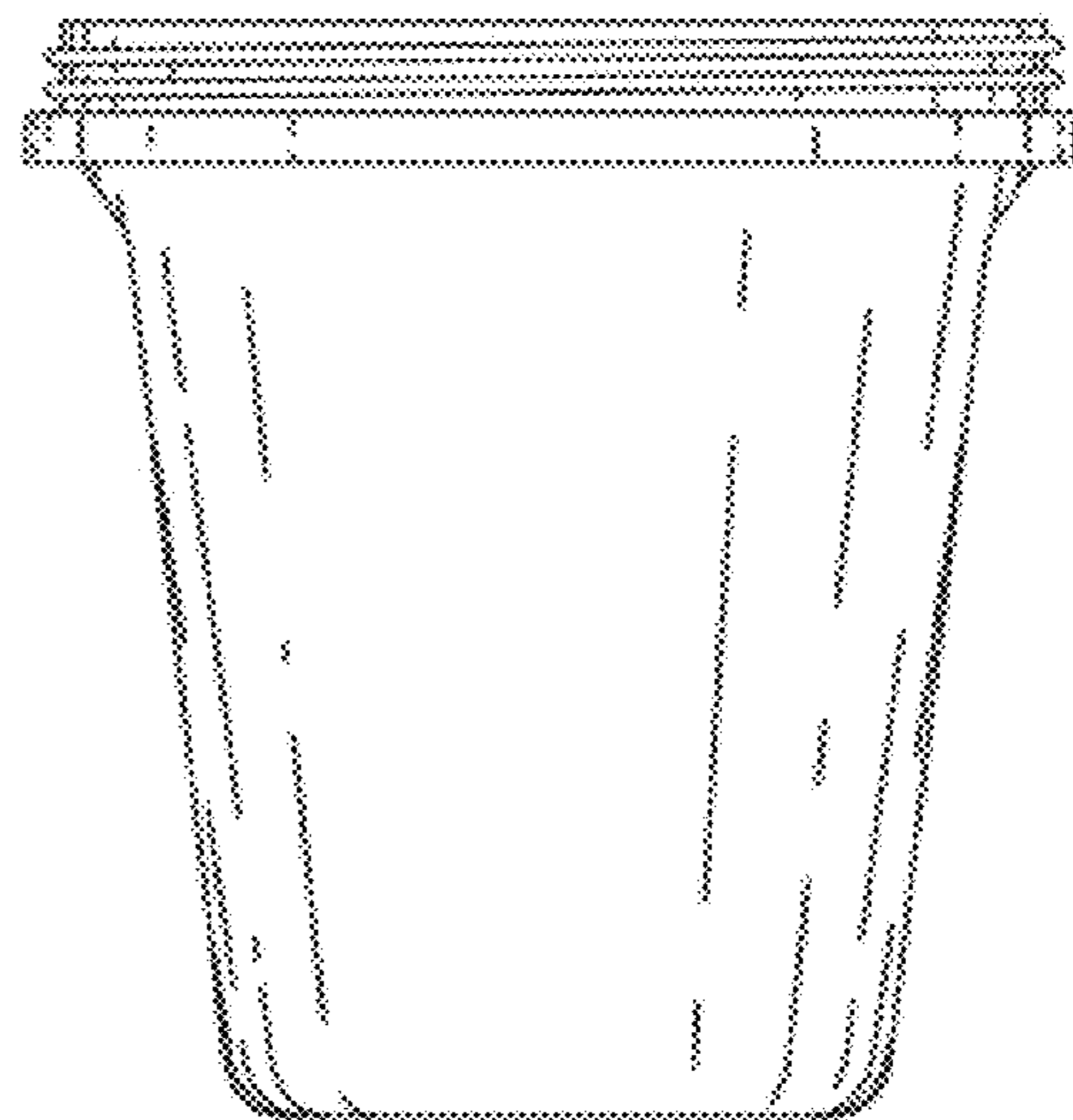
**Fig. 1**



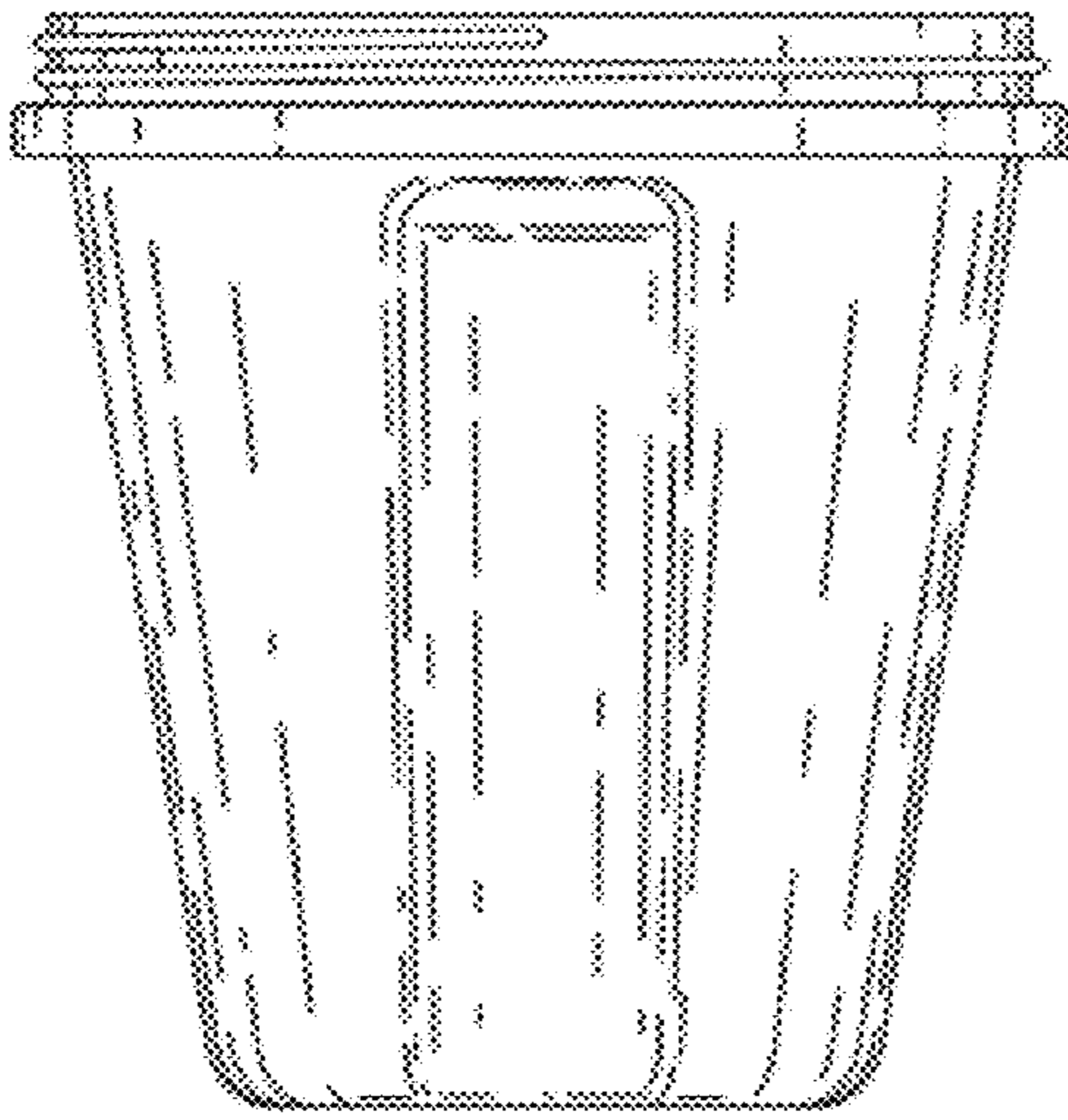
**Fig. 2**



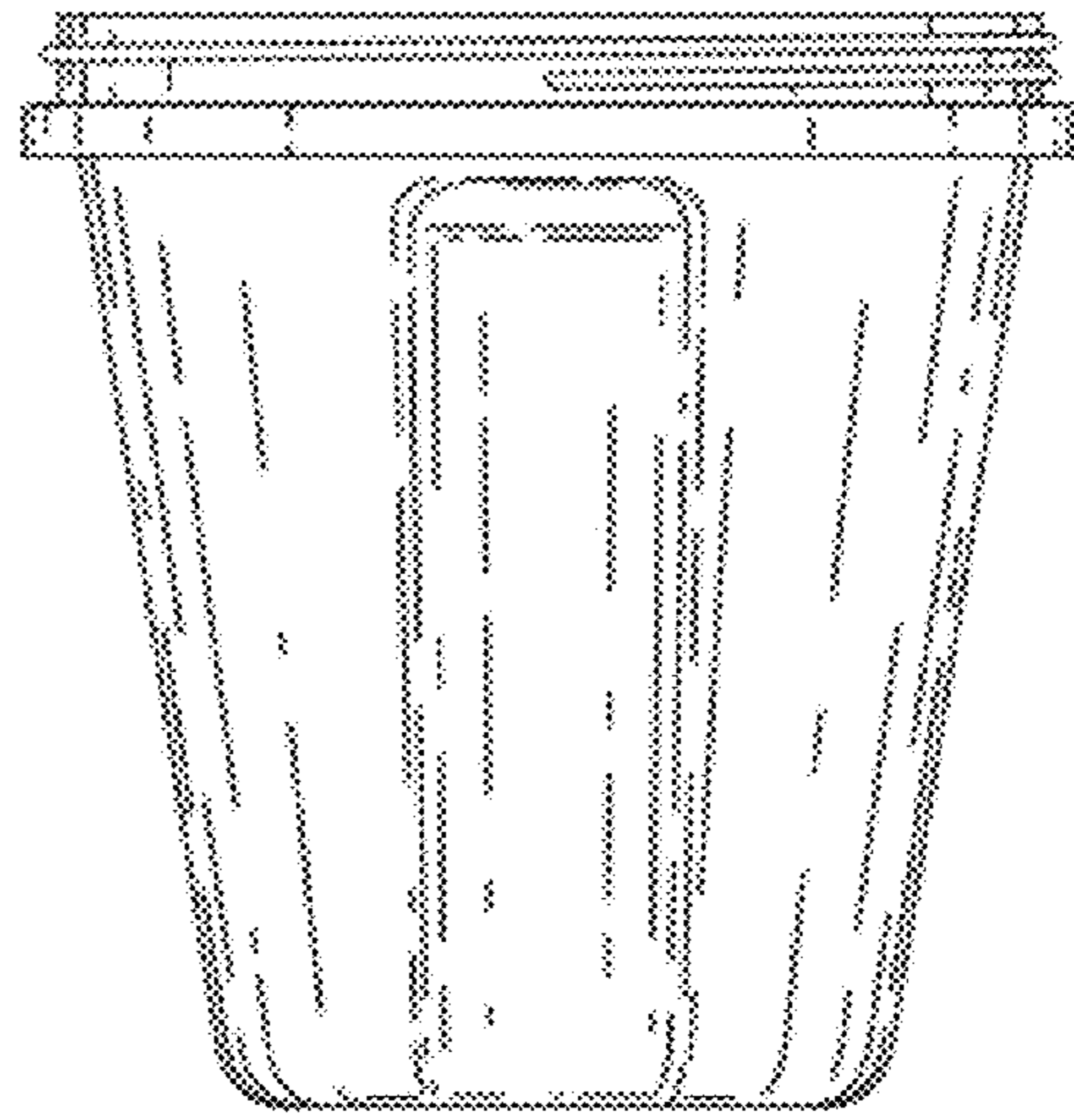
**Fig. 3**



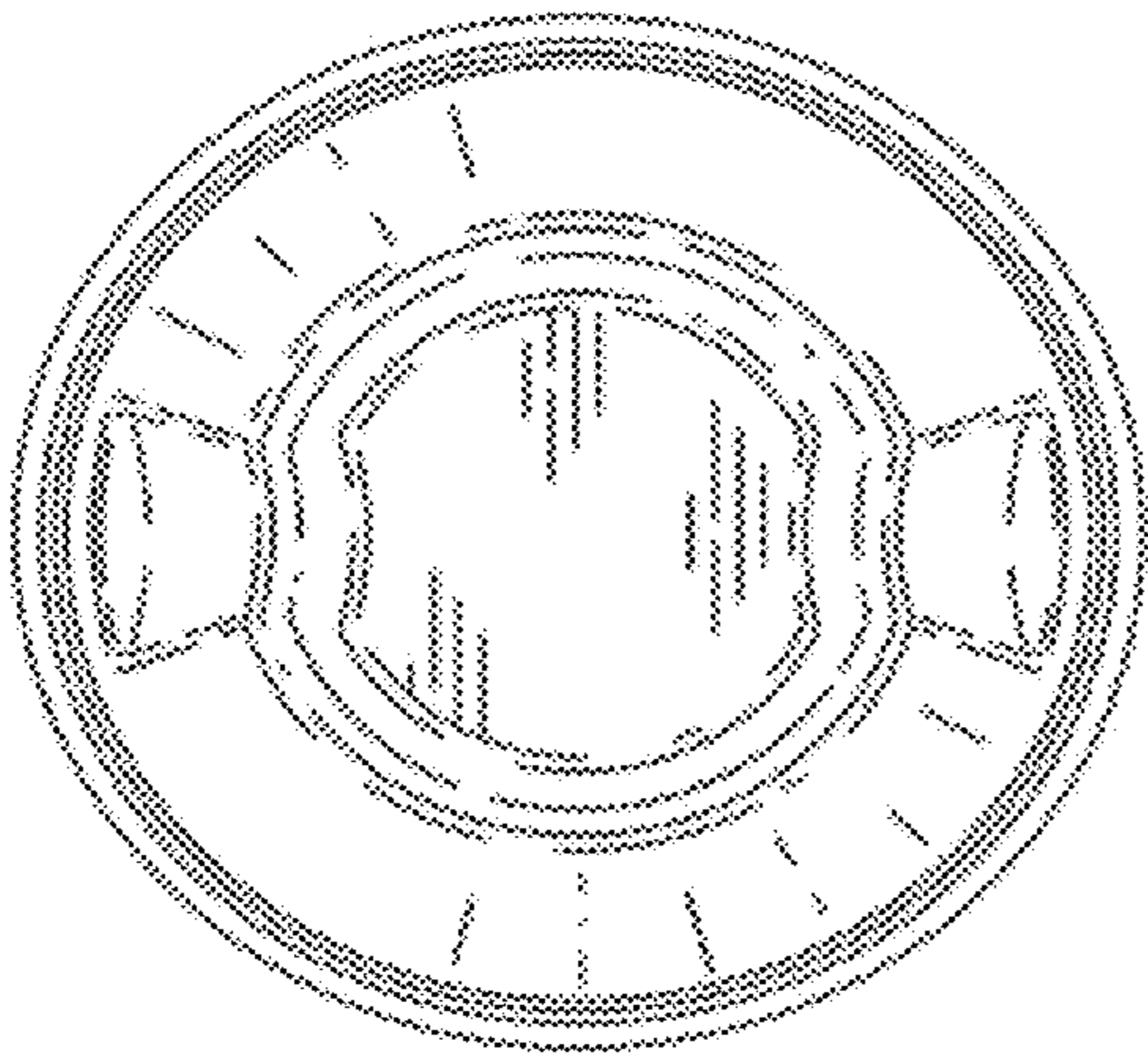
**Fig. 4**



**Fig. 5**



**Fig. 6**



**Fig. 7**

