



US00D672614S

(12) **United States Design Patent**  
**Stamper et al.**

(10) **Patent No.:** **US D672,614 S**

(45) **Date of Patent:** **\*\* \*Dec. 18, 2012**

(54) **CONTAINER**

(75) Inventors: **Leonard R. Stamper**, Anaheim Hills, CA (US); **Brian Sykes**, Mission Viejo, CA (US)

(73) Assignee: **Shye Worldwide, LLC, (CA Ltd Liability Co.)**, Tustin, CA (US)

(\*) Notice: This patent is subject to a terminal disclaimer.

(\*\*) Term: **14 Years**

(21) Appl. No.: **29/370,936**

(22) Filed: **Sep. 22, 2010**

(51) **LOC (9) Cl.** ..... **07-01**

(52) **U.S. Cl.** ..... **D7/602**

(58) **Field of Classification Search** ..... D7/500, D7/509-511, 586, 601, 603, 619.1, 622, 629, D7/396.1, 396.2, 538-546; D3/272, 273; D9/414, 424, 425, 426, 427, 430, 431, 432; 220/474, 575, 495.01, 495.02, 495.03, 500, 220/62.11, 62.12, 62.13, 908  
See application file for complete search history.

D416,797 S *	11/1999	Rabe et al. ....	D9/431
D512,278 S *	12/2005	Schultz et al. ....	D7/629
D518,958 S *	4/2006	Yourist .....	D3/302
D547,177 S *	7/2007	Sherman et al. ....	D9/425
D601,386 S *	10/2009	Carlson .....	D7/602
D601,387 S *	10/2009	Carlson .....	D7/602
D601,857 S *	10/2009	Carlson .....	D7/602
D614,949 S *	5/2010	Schmidt .....	D9/424
D628,478 S *	12/2010	Snedden et al. ....	D9/431
D628,479 S *	12/2010	Snedden et al. ....	D9/431
D630,091 S *	1/2011	Schick .....	D9/430
D630,900 S *	1/2011	Samartgis .....	D7/602
D630,901 S *	1/2011	Samartgis .....	D7/602
D631,298 S *	1/2011	Samartgis .....	D7/602
D643,251 S *	8/2011	Stamper et al. ....	D7/602
D644,887 S *	9/2011	Samartgis .....	D7/602
D644,888 S *	9/2011	Samartgis .....	D7/602
D645,708 S *	9/2011	Stamper et al. ....	D7/602
2004/0118737 A1 *	6/2004	Welsh et al. ....	206/508
2009/0120937 A1 *	5/2009	Vovan .....	220/266

\* cited by examiner

*Primary Examiner* — Elizabeth J Oswecki

(74) *Attorney, Agent, or Firm* — Curtis L. Harrington; Harrington & Harrington

(57) **CLAIM**

The ornamental design for a container, as shown and described.

(56) **References Cited**

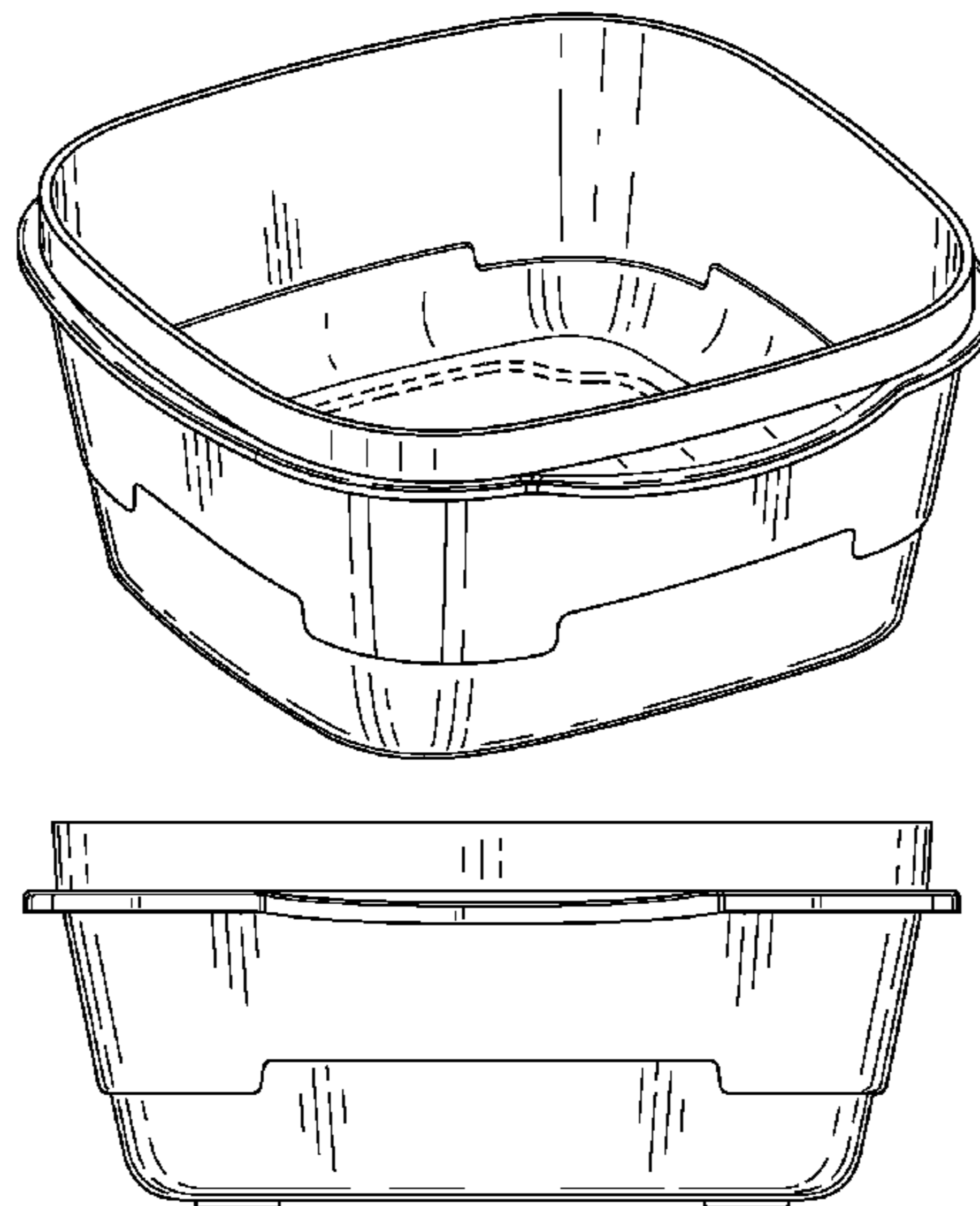
U.S. PATENT DOCUMENTS

2,606,586 A *	8/1952	Hill .....	220/802
2,767,755 A *	10/1956	Hill .....	206/518
D238,137 S *	12/1975	Swett et al. ....	D7/612
D279,251 S *	6/1985	Daenen et al. ....	D7/629
D279,252 S *	6/1985	Daenen et al. ....	D7/602
D279,253 S *	6/1985	Daenen et al. ....	D7/602
4,819,824 A *	4/1989	Longbottom et al. ....	220/266
D336,017 S *	6/1993	Smith et al. ....	D7/629
D351,765 S *	10/1994	Beeler et al. ....	D7/629
5,356,026 A *	10/1994	Andress et al. ....	206/508
D374,155 S *	10/1996	Feer et al. ....	D7/602
5,641,090 A *	6/1997	Kowalski et al. ....	220/782
D403,924 S *	1/1999	Carlson .....	D7/602

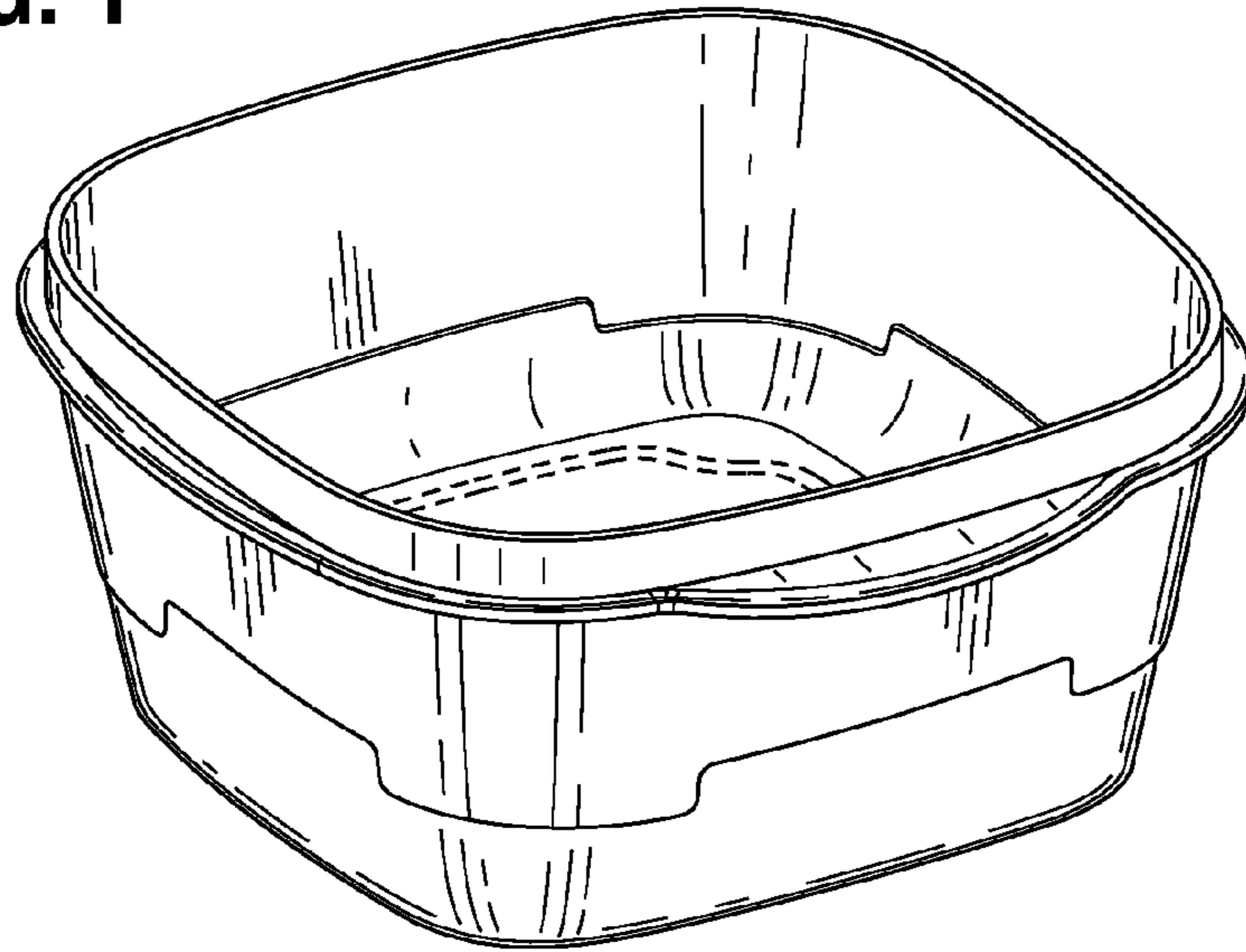
**DESCRIPTION**

FIG. 1 is a perspective view of a container showing our new design;  
FIG. 2 is a right side view thereof;  
FIG. 3 is a front view thereof;  
FIG. 4 is a left side view thereof;  
FIG. 5 is a rear view thereof;  
FIG. 6 is a top view thereof; and,  
FIG. 7 is a bottom view thereof.  
In the drawings, the broken lines in FIGS. 6 and 7 depict portions of the design that form no part of the claim.

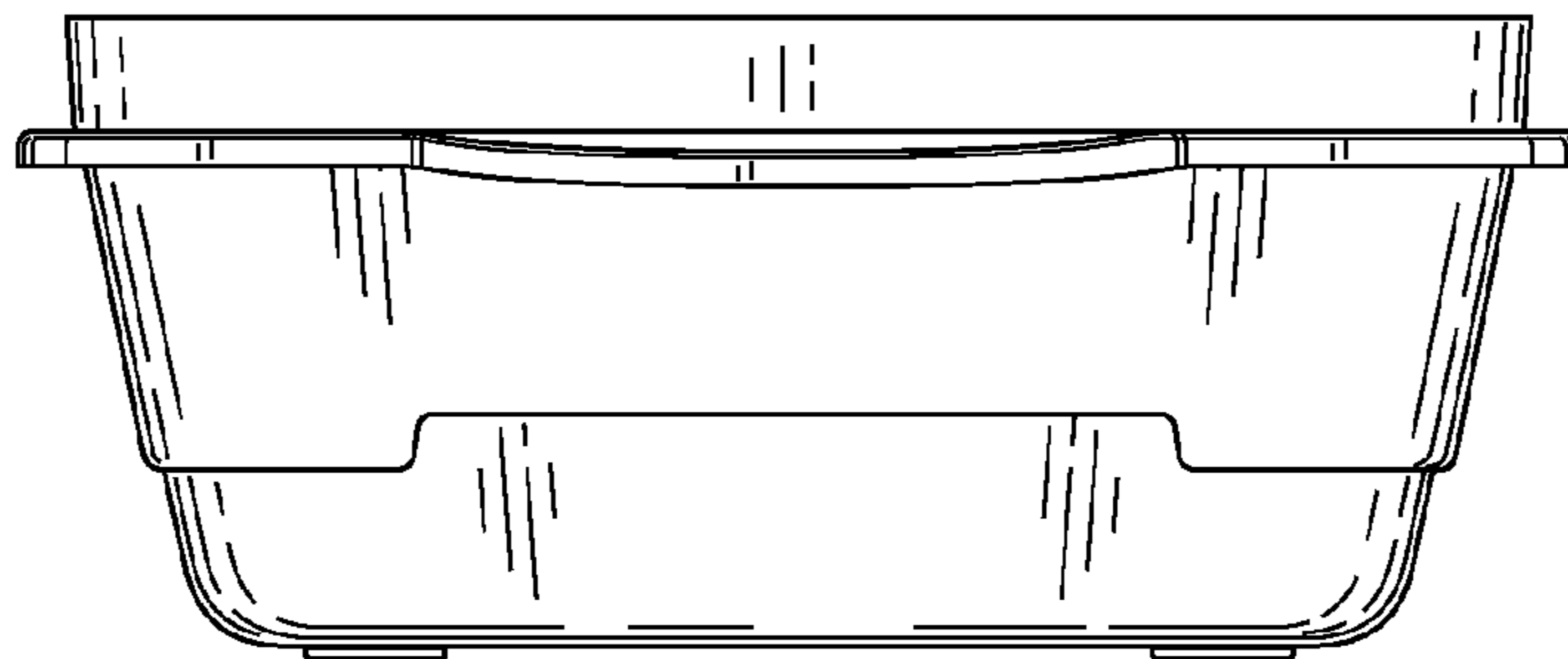
**1 Claim, 3 Drawing Sheets**



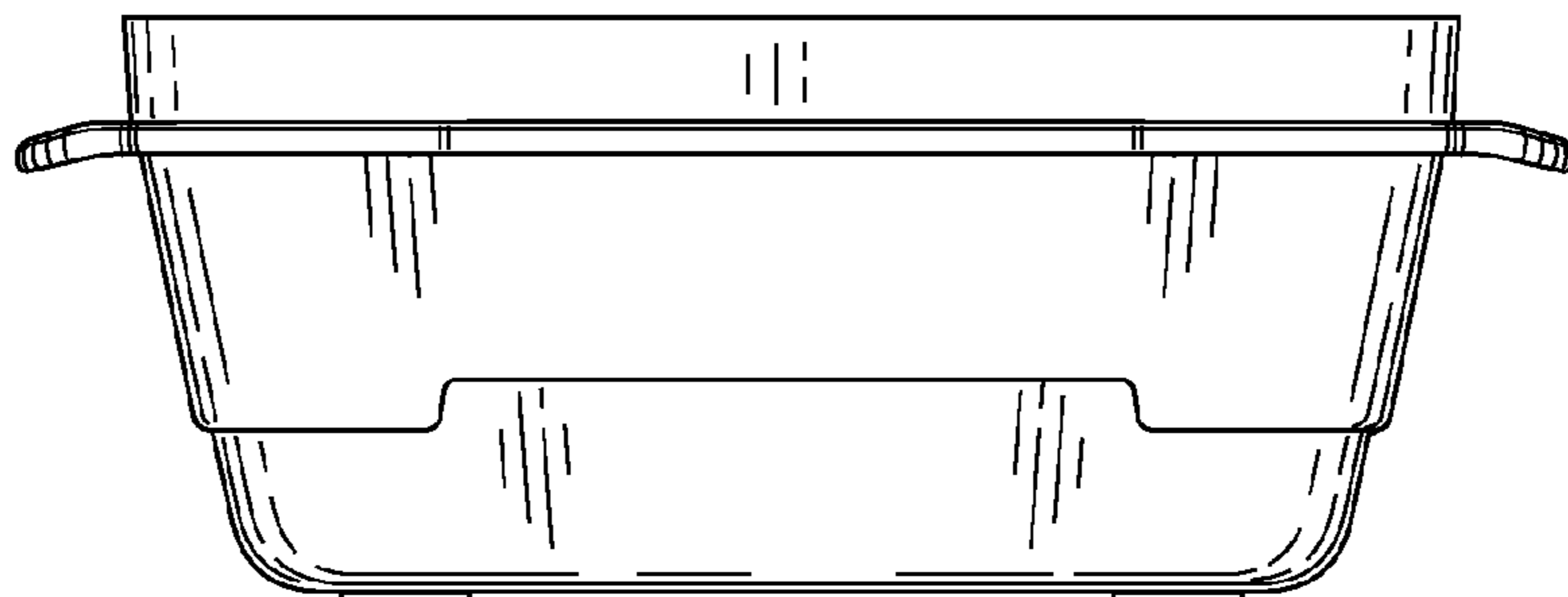
**FIG. 1**



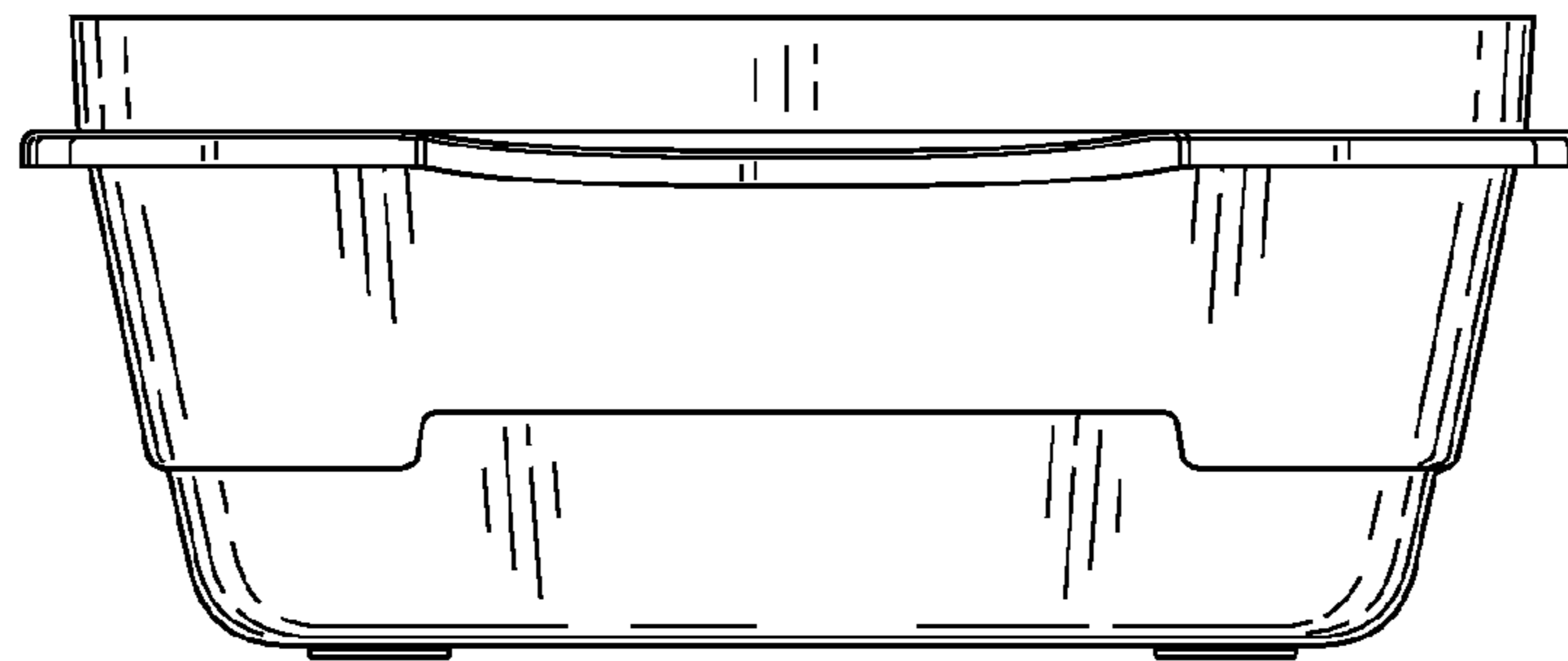
**FIG. 2**



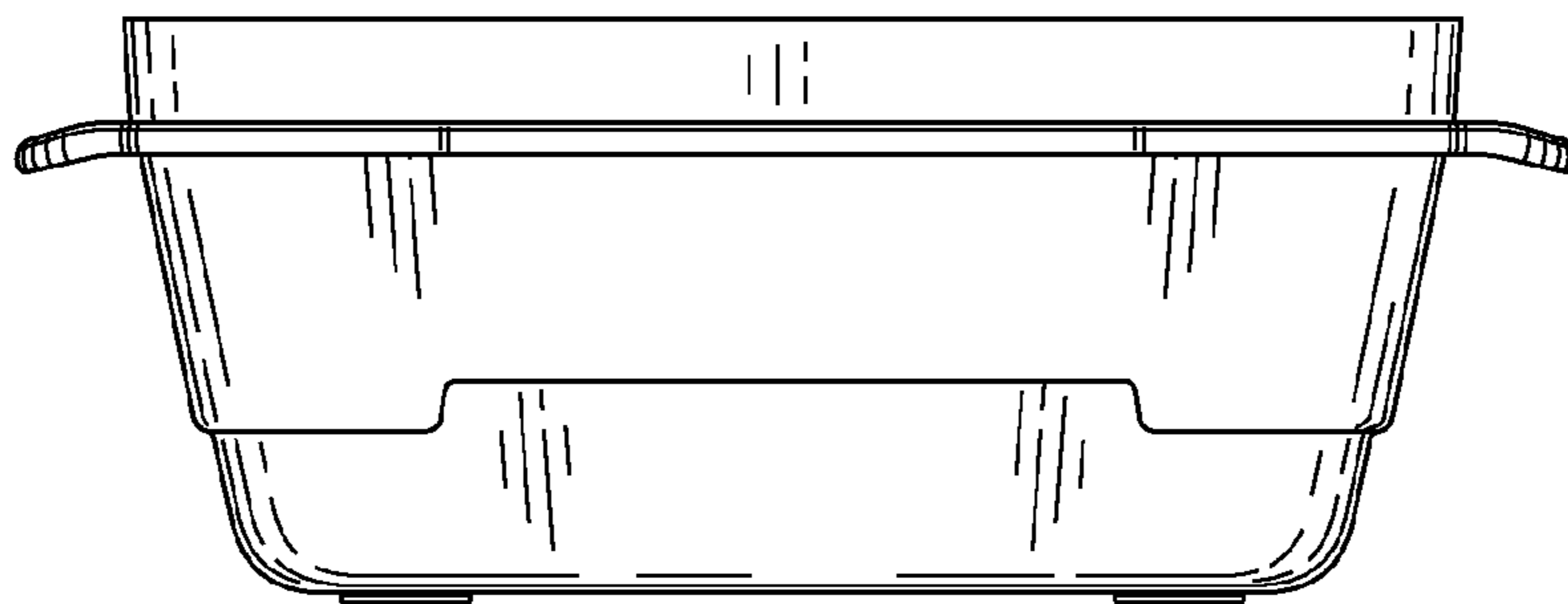
**FIG. 3**



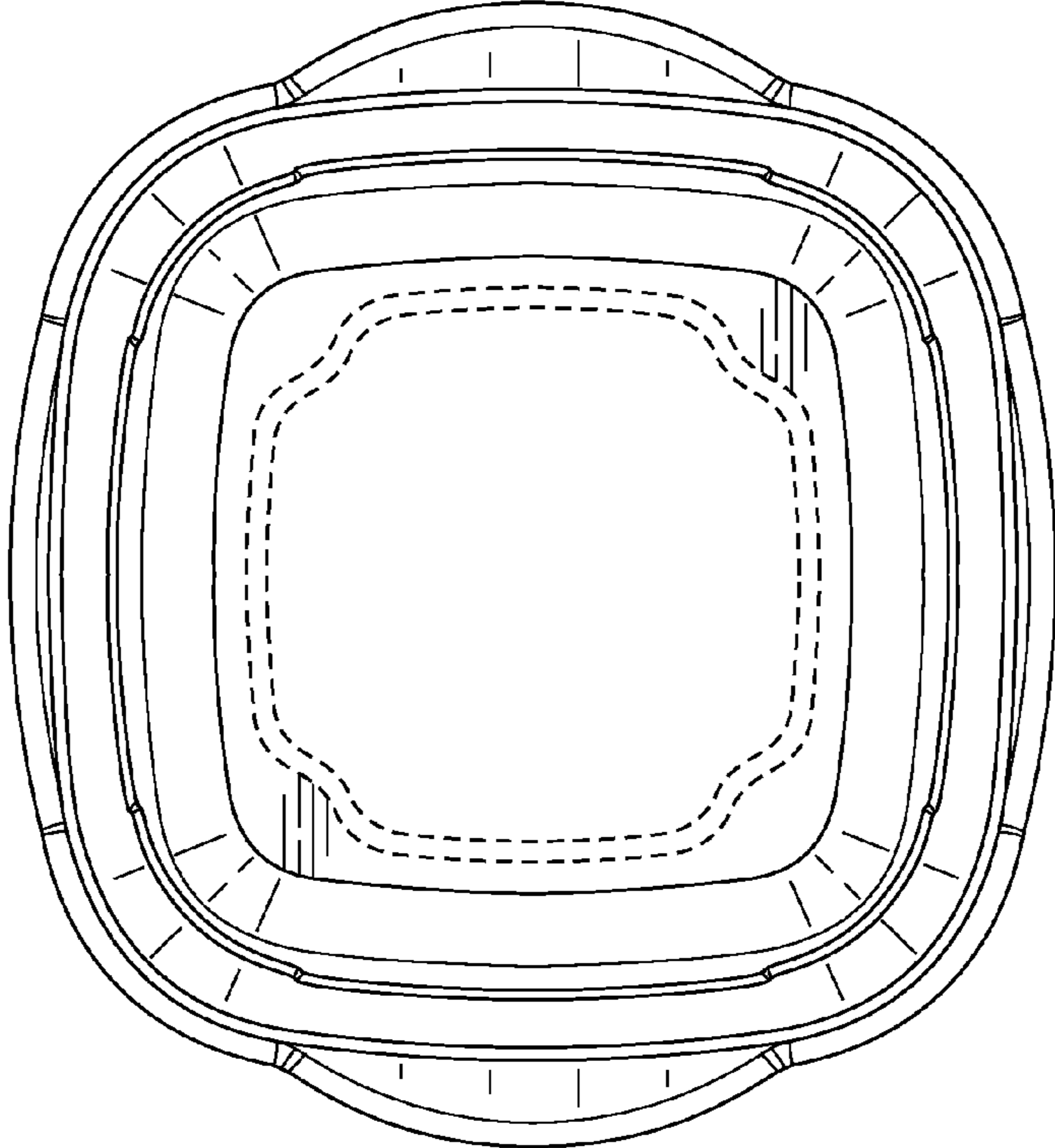
**FIG. 4**



**FIG. 5**



**FIG. 6**



**FIG. 7**

