



US00D672613S

(12) **United States Design Patent**
Stamper et al.

(10) **Patent No.:** **US D672,613 S**

(45) **Date of Patent:** **** *Dec. 18, 2012**

(54) **CONTAINER**

(75) Inventors: **Leonard R. Stamper**, Anaheim Hills, CA (US); **Brian Sykes**, Mission Viejo, CA (US)

(73) Assignee: **Shye Worldwide, LLC, (CA Ltd Liability Co.)**, Tustin, CA (US)

(*) Notice: This patent is subject to a terminal disclaimer.

(**) Term: **14 Years**

(21) Appl. No.: **29/370,935**

(22) Filed: **Sep. 22, 2010**

(51) **LOC (9) Cl.** **07-01**

(52) **U.S. Cl.** **D7/602**

(58) **Field of Classification Search** D7/500, D7/509-511, 586, 601, 602, 603, 619.1, 622, D7/629, 396.1, 396.2, 538-546; D3/272, D3/273; D9/414, 424, 425, 426, 427, 430, D9/431, 432; 220/574, 575, 495.01, 495.02, 220/495.03, 500, 62.11, 62.12, 62.13, 908
See application file for complete search history.

(56) **References Cited**

U.S. PATENT DOCUMENTS

| | | | | |
|-----------|-----|---------|-------------------|---------|
| 2,606,586 | A * | 8/1952 | Hill | 220/802 |
| 2,767,755 | A * | 10/1956 | Hill | 206/518 |
| D238,137 | S * | 12/1975 | Swett | D7/612 |
| D279,251 | S * | 6/1985 | Daenen et al. | D7/629 |
| D279,252 | S * | 6/1985 | Daenen et al. | D7/602 |
| D279,253 | S * | 6/1985 | Daenen et al. | D7/602 |
| 4,819,824 | A * | 4/1989 | Longbottom et al. | 220/266 |
| D336,017 | S * | 6/1993 | Smith et al. | D7/629 |
| D351,765 | S * | 10/1994 | Beeler et al. | D7/629 |
| 5,356,026 | A * | 10/1994 | Andress et al. | 206/508 |
| D374,155 | S * | 10/1996 | Feer et al. | D7/602 |
| 5,641,090 | A * | 6/1997 | Kowalski et al. | 220/782 |
| D403,924 | S * | 1/1999 | Carlson | D7/602 |

| | | | | |
|--------------|------|---------|----------------|---------|
| D416,797 | S * | 11/1999 | Rabe et al. | D9/431 |
| D512,278 | S * | 12/2005 | Schultz et al. | D7/629 |
| D518,958 | S * | 4/2006 | Yourist | D3/302 |
| D547,177 | S * | 7/2007 | Sherman et al. | D9/425 |
| D601,386 | S * | 10/2009 | Carlson | D7/602 |
| D601,387 | S * | 10/2009 | Carlson | D7/602 |
| D601,857 | S * | 10/2009 | Carlson | D7/602 |
| D614,949 | S * | 5/2010 | Schmidt | D9/424 |
| D628,478 | S * | 12/2010 | Snedden et al. | D9/431 |
| D628,479 | S * | 12/2010 | Snedden et al. | D9/431 |
| D630,091 | S * | 1/2011 | Schick | D9/430 |
| D630,900 | S * | 1/2011 | Samartgis | D7/602 |
| D630,901 | S * | 1/2011 | Samartgis | D7/602 |
| D631,298 | S * | 1/2011 | Samartgis | D7/602 |
| D643,251 | S * | 8/2011 | Stamper et al. | D7/602 |
| D644,887 | S * | 9/2011 | Samartgis | D7/602 |
| D644,888 | S * | 9/2011 | Samartgis | D7/602 |
| D645,708 | S * | 9/2011 | Stamper et al. | D7/602 |
| 2004/0118737 | A1 * | 6/2004 | Welsh et al. | 206/508 |
| 2009/0120937 | A1 * | 5/2009 | Vovan | 220/266 |

* cited by examiner

Primary Examiner — Elizabeth J Oswecki

(74) *Attorney, Agent, or Firm* — Curtis L. Harrington; Harrington & Harrington

(57) **CLAIM**

The ornamental design for a container, as shown and described.

DESCRIPTION

FIG. 1 is a perspective view of a container showing our new design;
FIG. 2 is a right side view thereof;
FIG. 3 is a front view thereof;
FIG. 4 is a left side view thereof;
FIG. 5 is a rear view thereof;
FIG. 6 is a top view thereof; and,
FIG. 7 is a bottom view thereof.
In the drawings, the broken lines in FIGS. 6 and 7 depict portions of the design that form no part of the claim.

1 Claim, 3 Drawing Sheets

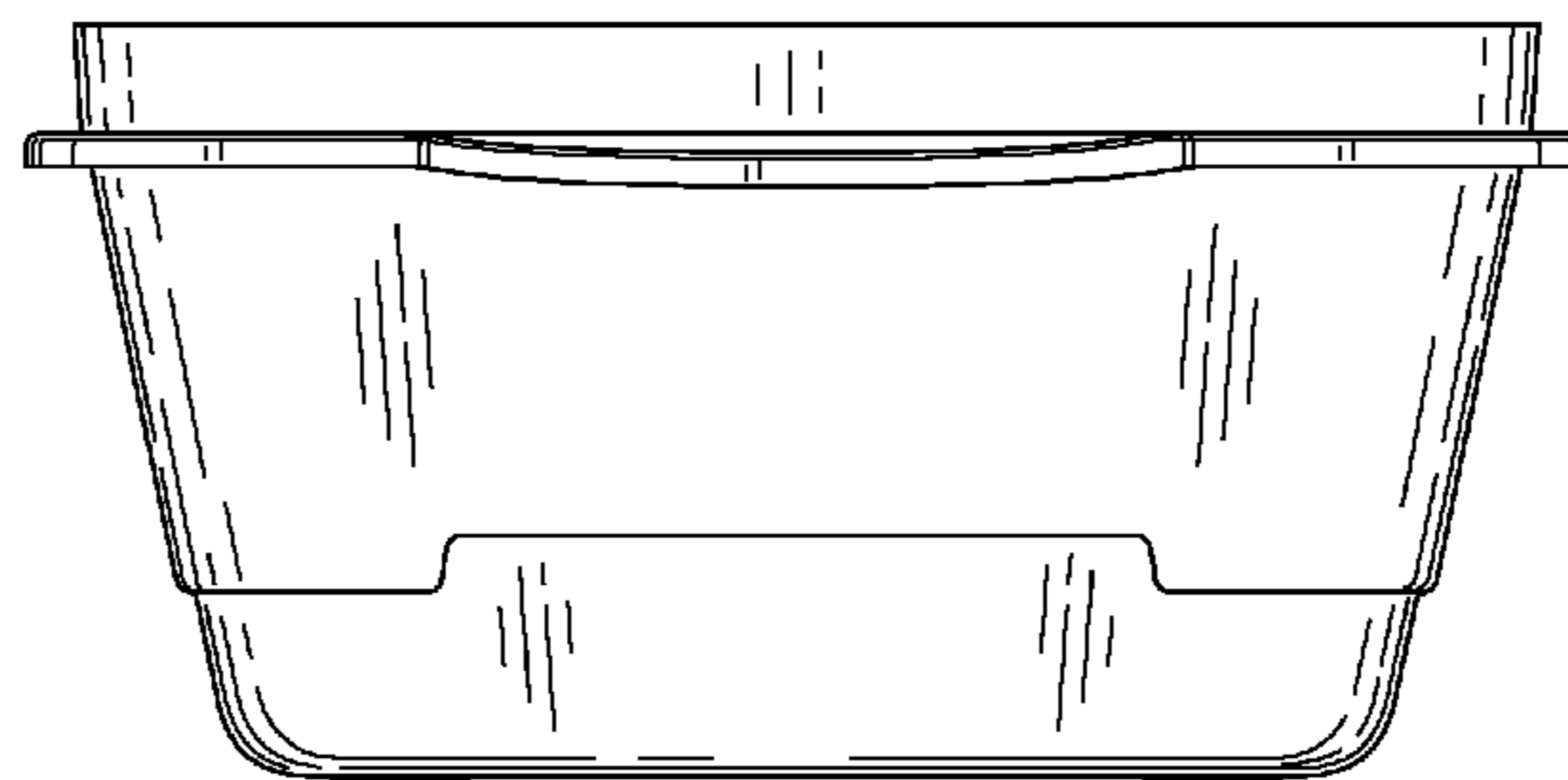
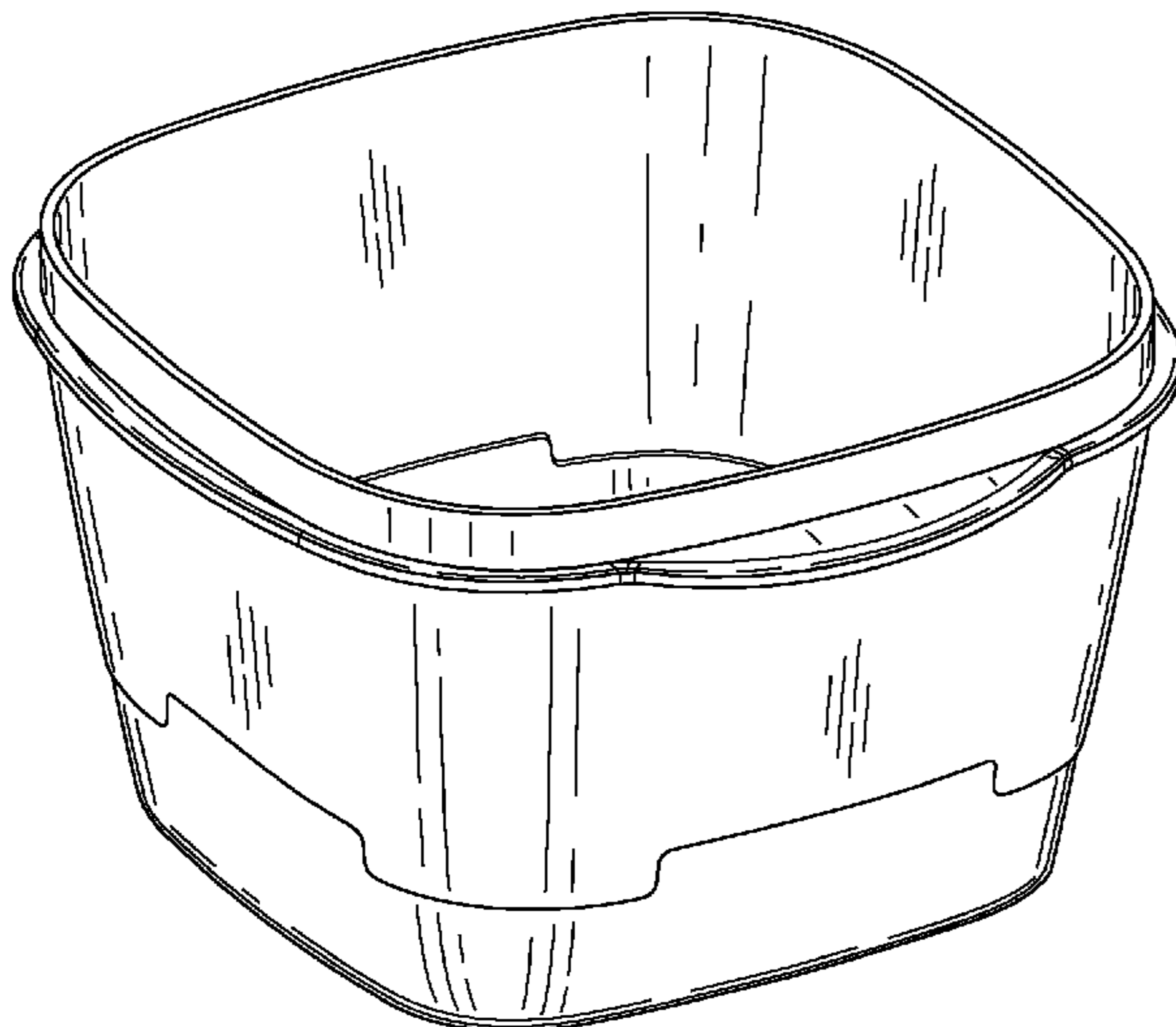


FIG. 1

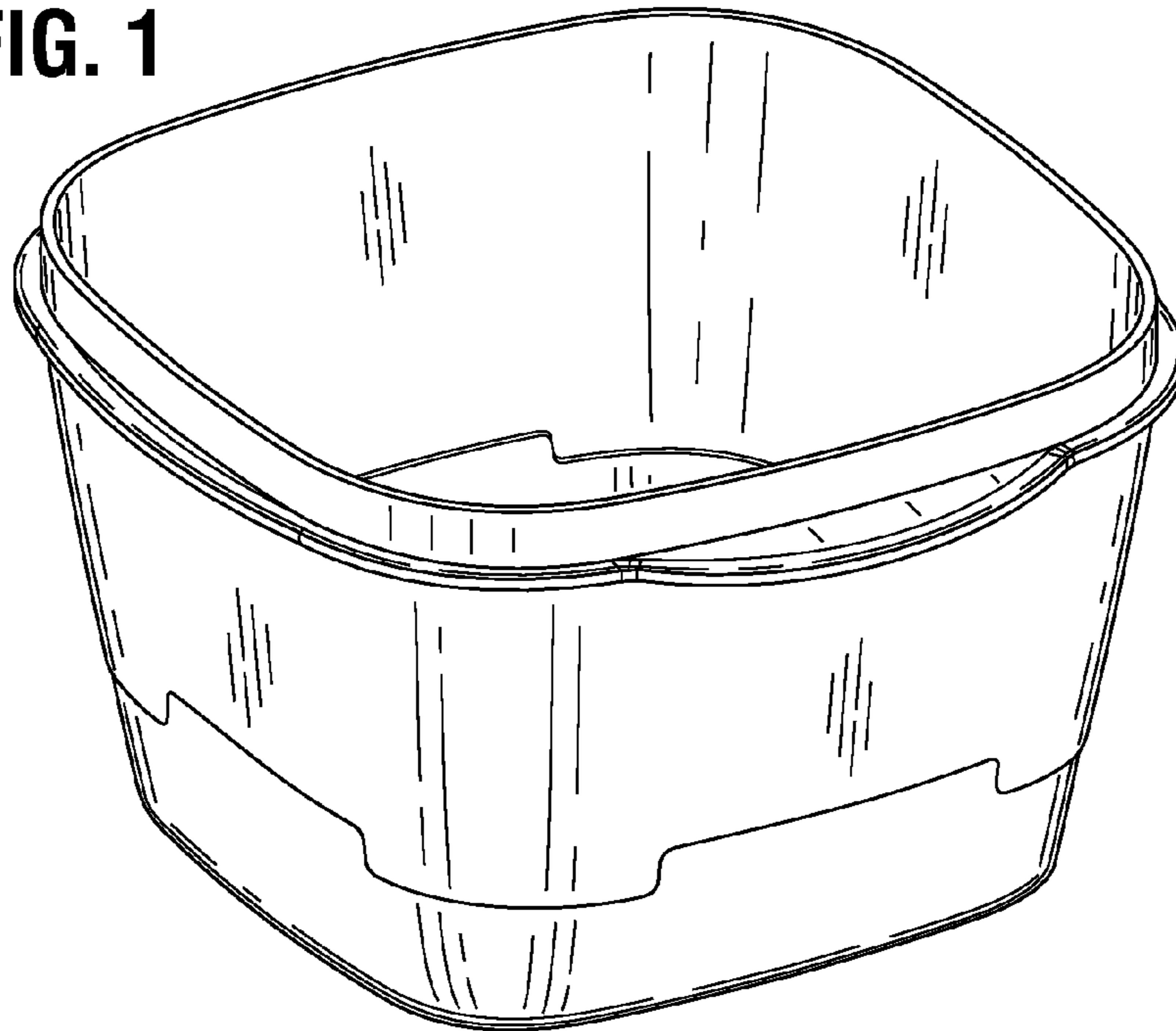


FIG. 2

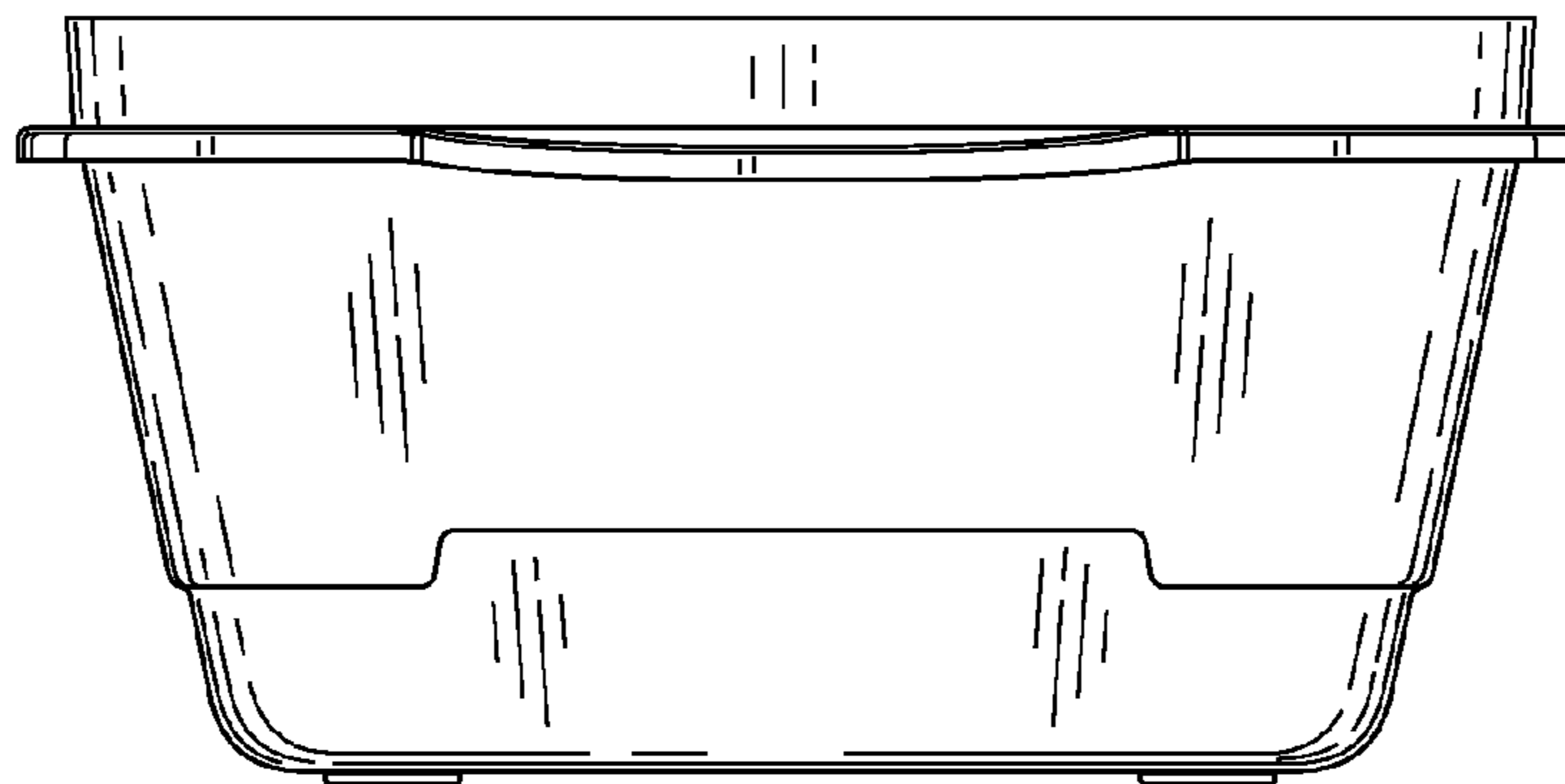


FIG. 3

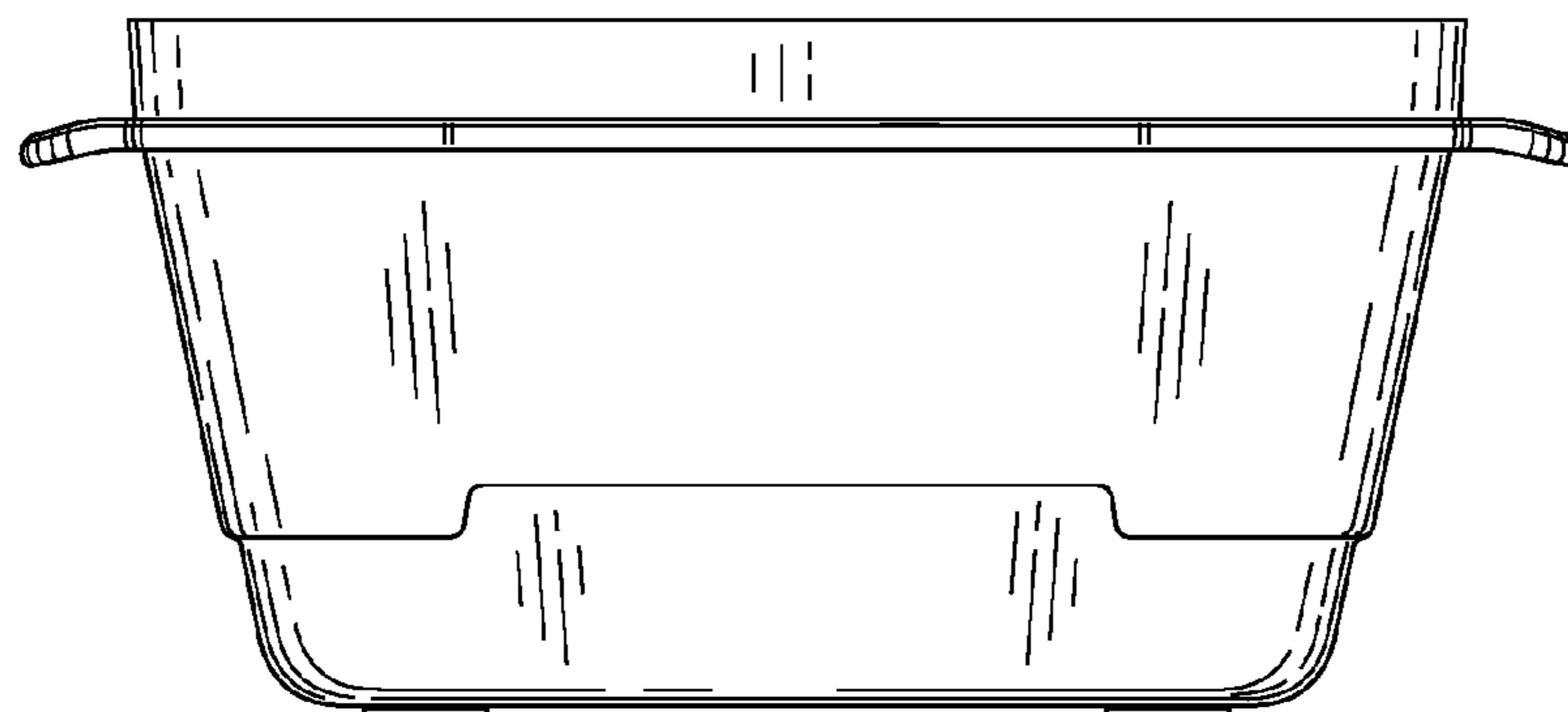


FIG. 4

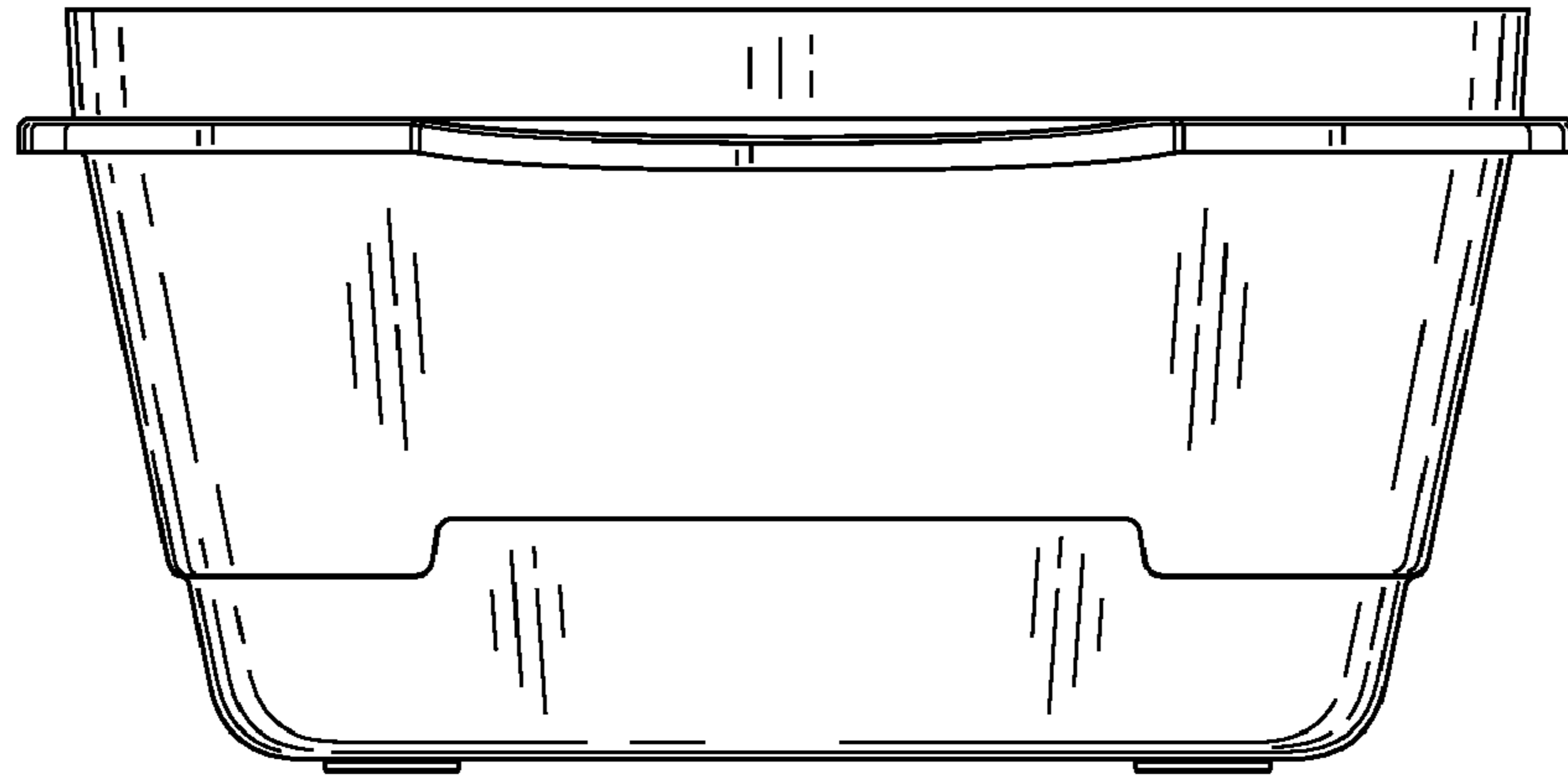


FIG. 5

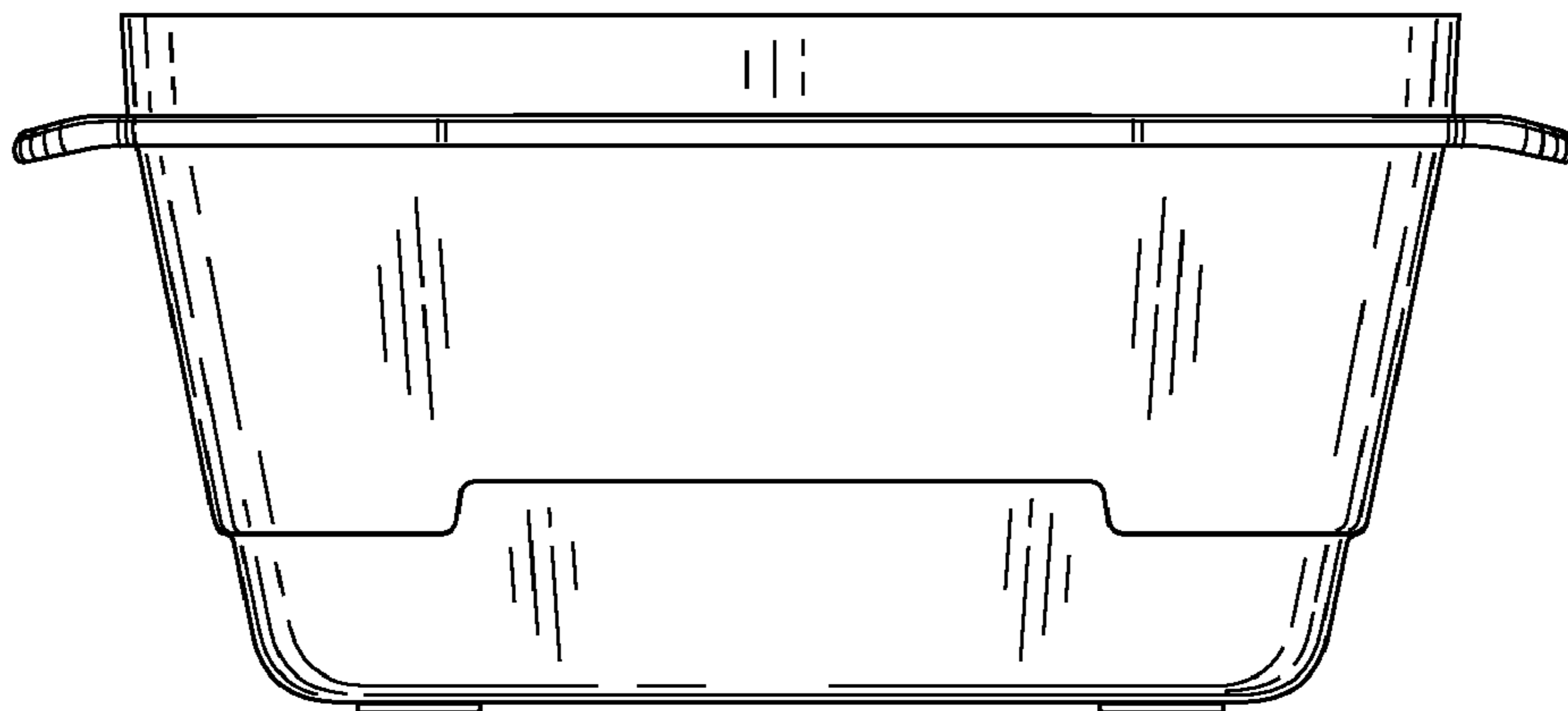


FIG. 6

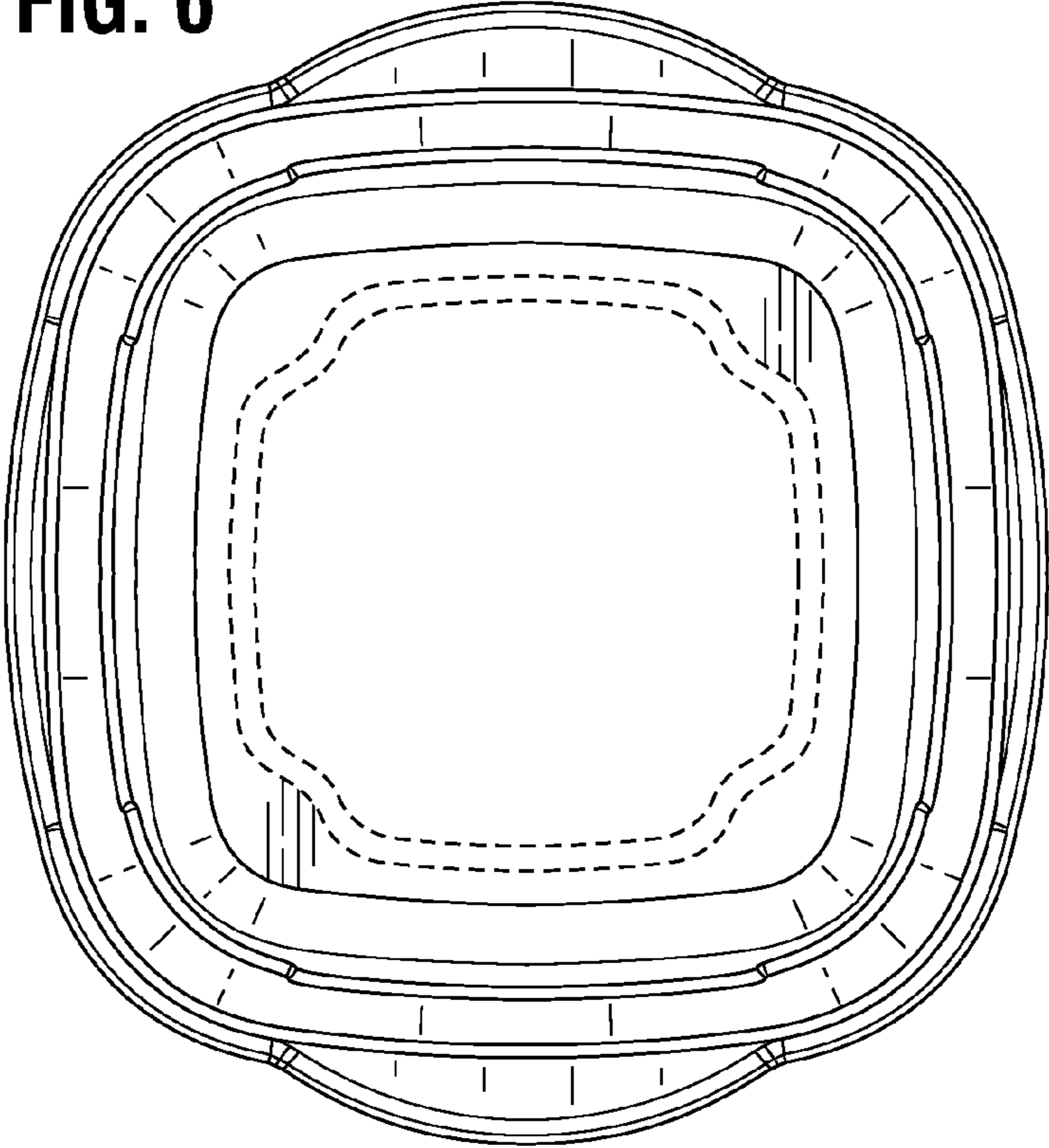


FIG. 7

