



US00D672610S

(12) **United States Design Patent**  
**Park et al.**

(10) **Patent No.:** **US D672,610 S**  
(45) **Date of Patent:** **\*\* Dec. 18, 2012**

(54) **PAPER CUP**

(76) Inventors: **Jun Hee Park**, Seoul (KR); **Su Jin Lee**,  
Bucheon-si (KR)

(\*\*) Term: **14 Years**

(21) Appl. No.: **29/401,905**

(22) Filed: **Sep. 16, 2011**

(30) **Foreign Application Priority Data**

Apr. 12, 2011 (KR) ..... 30-2011-014784

(51) **LOC (9) Cl.** ..... **07-01**

(52) **U.S. Cl.** ..... **D7/510; D7/532**

(58) **Field of Classification Search** ..... D7/510,  
D7/532, 507, 511, 523, 509, 500, 300.1;  
215/388, 387, DIG. 7; 220/710.5, 703, 592.16,  
220/592.17; 229/402; D9/503  
See application file for complete search history.

(56) **References Cited**

**U.S. PATENT DOCUMENTS**

|           |     |         |               |       |         |
|-----------|-----|---------|---------------|-------|---------|
| D113,230  | S * | 2/1939  | Karstadt      | ..... | D7/532  |
| 3,223,305 | A * | 12/1965 | Edwards       | ..... | 229/400 |
| 5,765,716 | A * | 6/1998  | Cai et al.    | ..... | 220/740 |
| D468,588  | S * | 1/2003  | Norris et al. | ..... | D7/532  |
| D575,111  | S * | 8/2008  | Karam         | ..... | D7/532  |
| D618,967  | S * | 7/2010  | Bodum         | ..... | D7/615  |
| D619,852  | S * | 7/2010  | Bodum         | ..... | D7/532  |

|              |      |         |                |       |         |
|--------------|------|---------|----------------|-------|---------|
| D621,659     | S *  | 8/2010  | Liu            | ..... | D7/510  |
| D623,474     | S *  | 9/2010  | Carlson et al. | ..... | D7/510  |
| 2004/0128877 | A1 * | 7/2004  | Luedde         | ..... | 40/306  |
| 2005/0236468 | A1 * | 10/2005 | Sadlier        | ..... | 229/403 |
| 2006/0186129 | A1 * | 8/2006  | Allnutt et al. | ..... | 220/737 |
| 2007/0181591 | A1 * | 8/2007  | Pierce et al.  | ..... | 220/801 |

**OTHER PUBLICATIONS**

U.S. Appl. No. 29/381,606, filed Dec. 21, 2010, Jae Bok Hwang.

\* cited by examiner

*Primary Examiner* — Cynthia Underwood

(74) *Attorney, Agent, or Firm* — Wells St. John P.S.

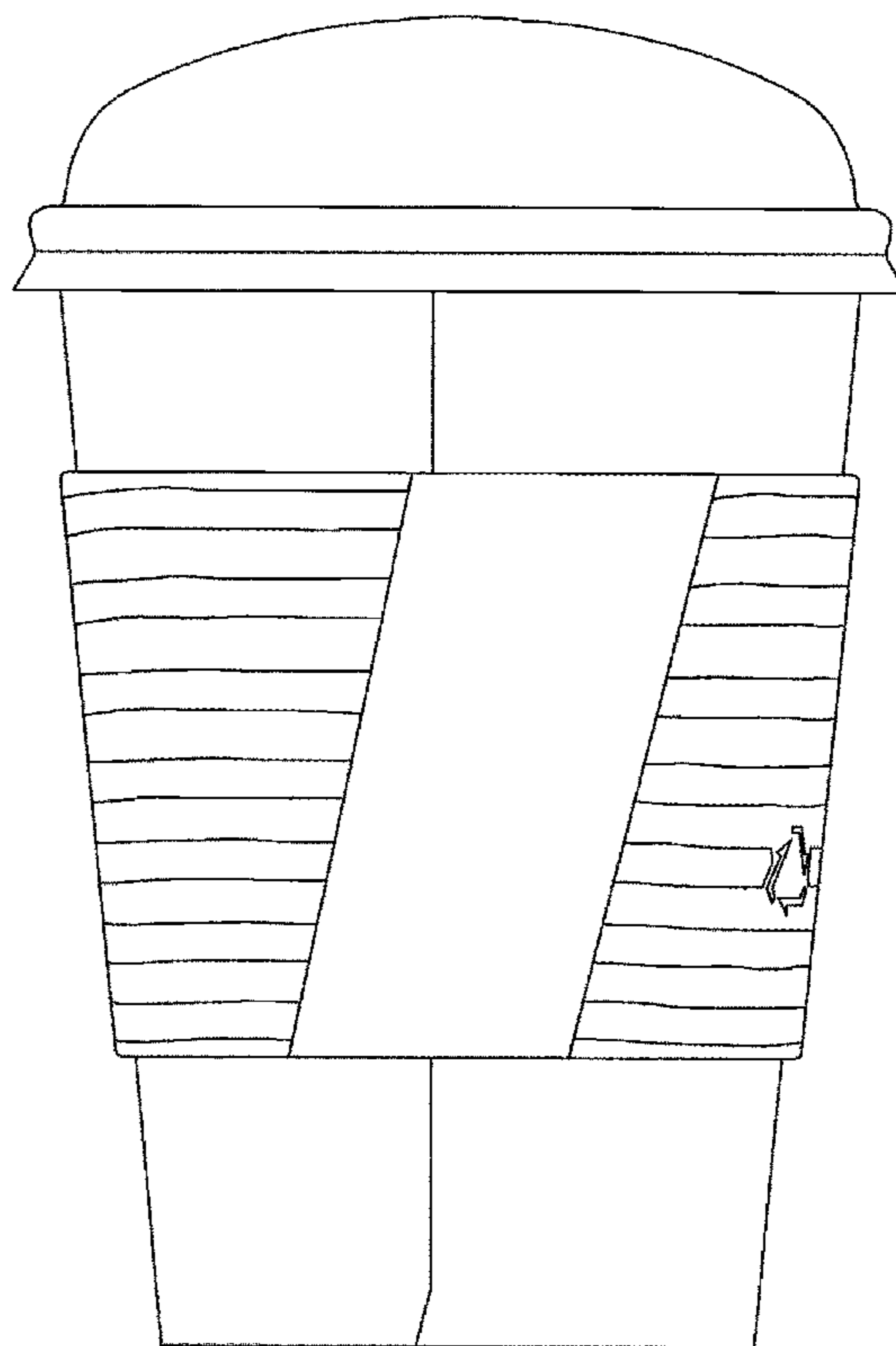
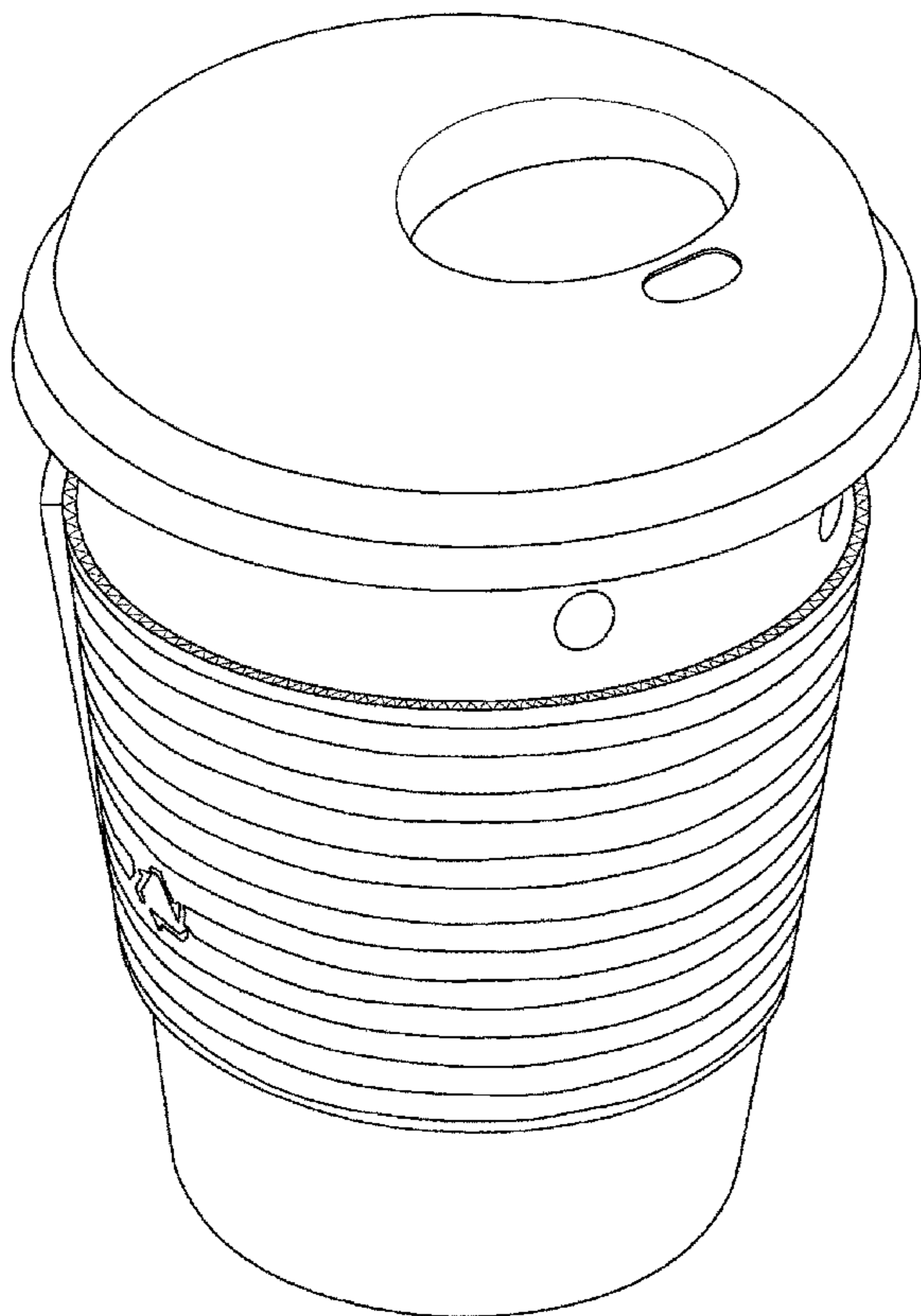
(57) **CLAIM**

I claim the ornamental design for a paper cup, as shown and described.

**DESCRIPTION**

FIG. 1 is a perspective view for a paper cup;  
FIG. 2 is a front elevational view thereof;  
FIG. 3 is a rear elevational view, opposite the FIG. 2 front view, thereof;  
FIG. 4 is a left side elevational view thereof;  
FIG. 5 is a right side elevational view thereof;  
FIG. 6 is a top plan view thereof; and,  
FIG. 7 is a bottom plan view thereof.  
The broken lines represent a portion of the structure that forms no part of the claim.

**1 Claim, 7 Drawing Sheets**



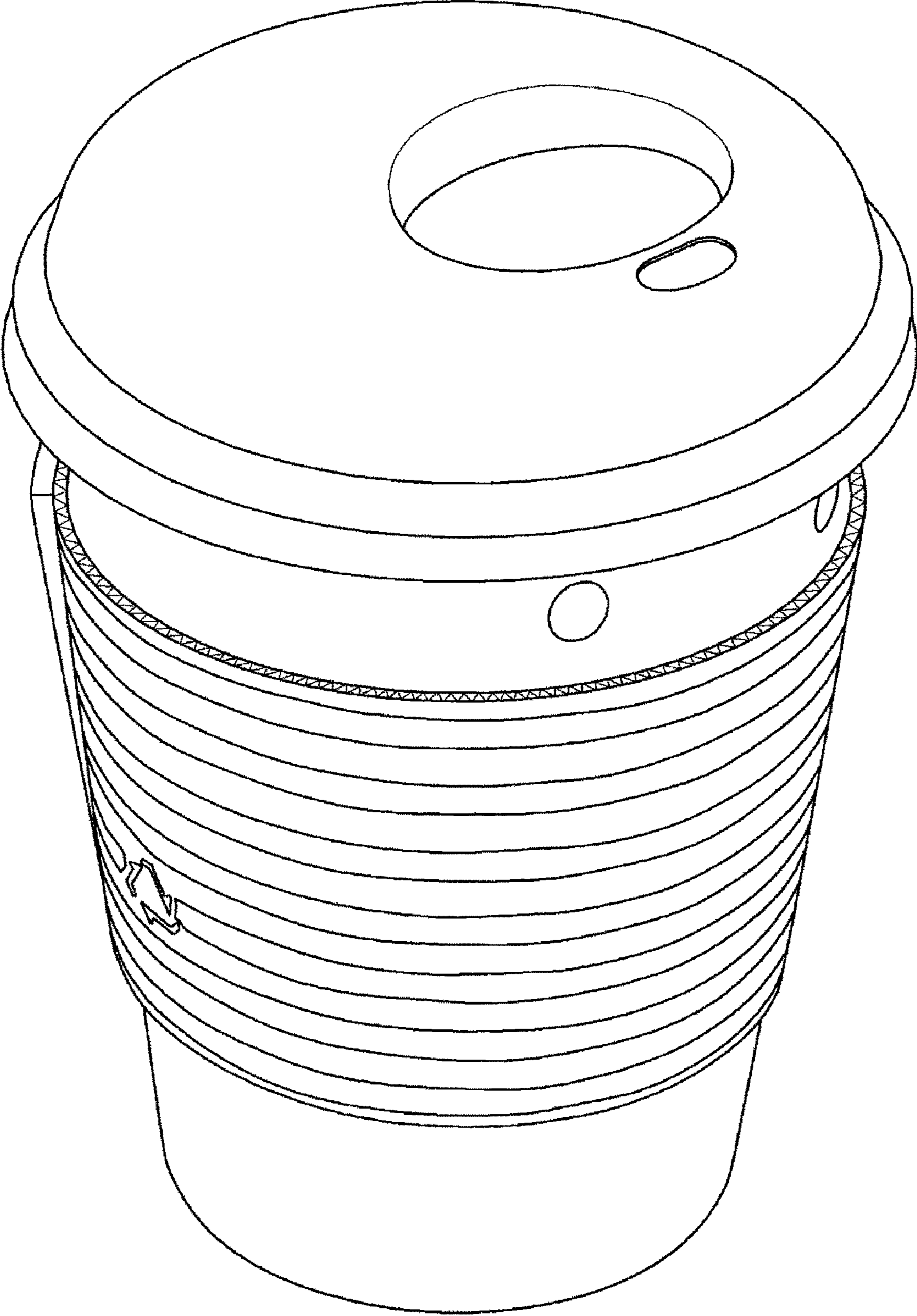


FIG. 1

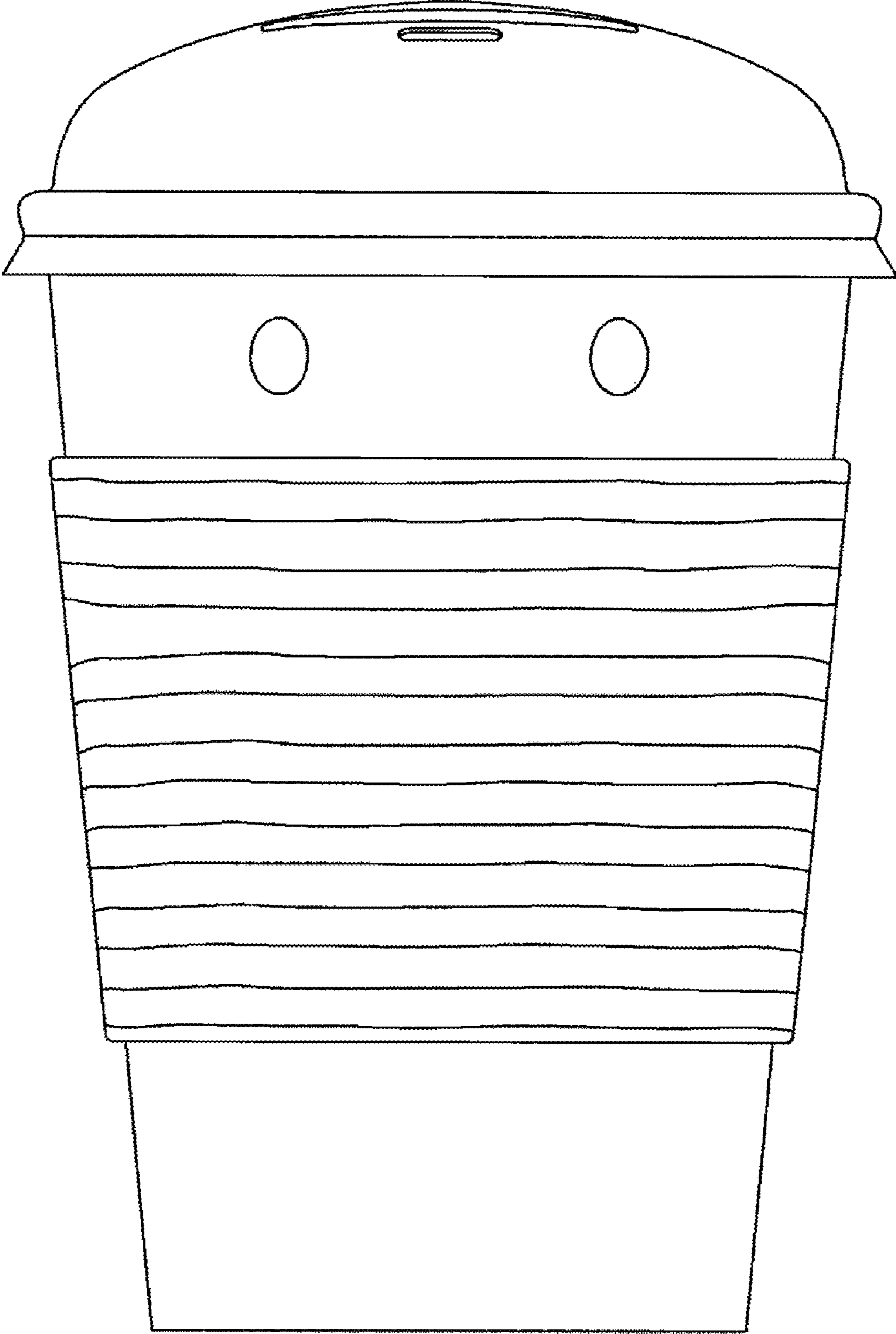


FIG. 2

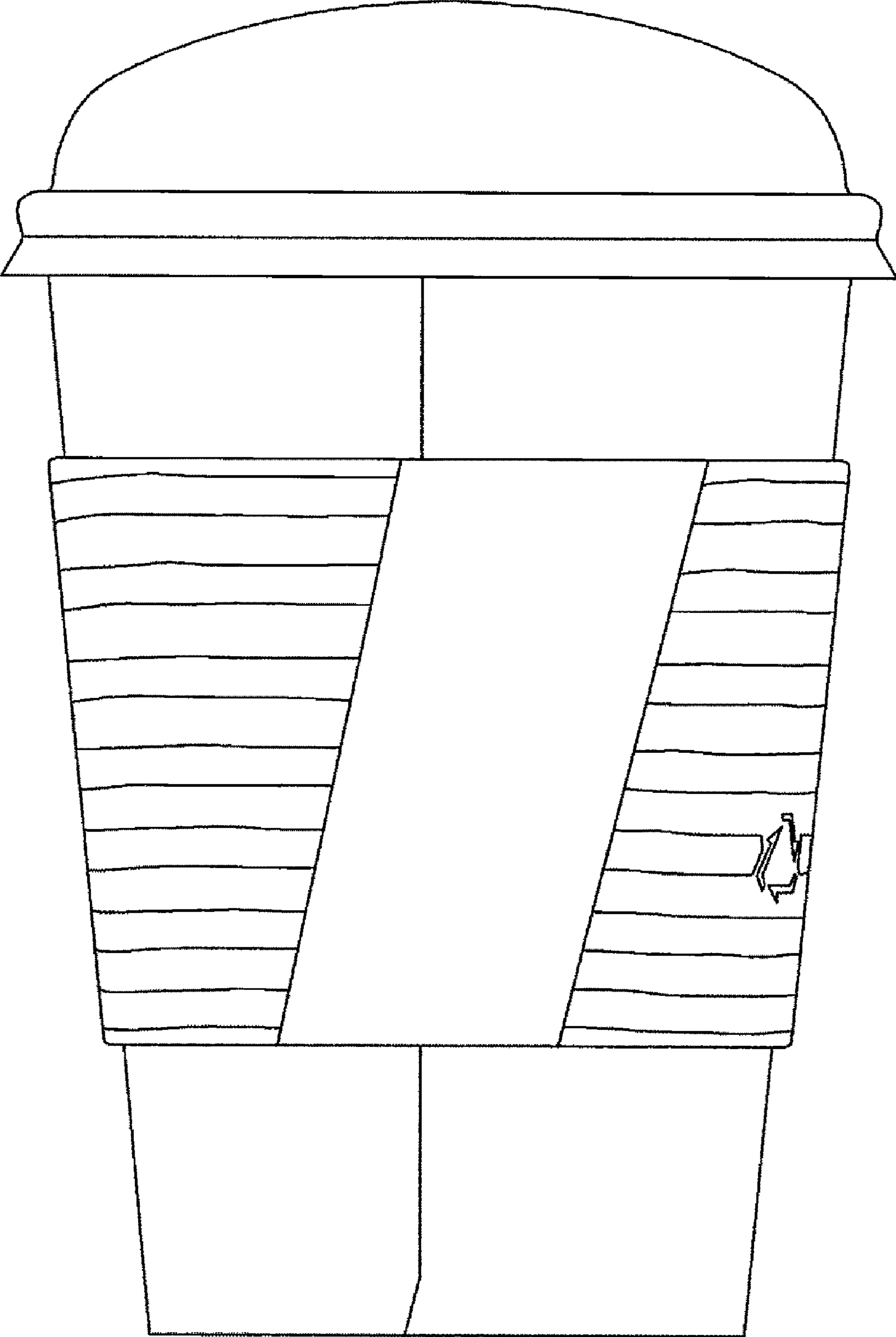


FIG. 3

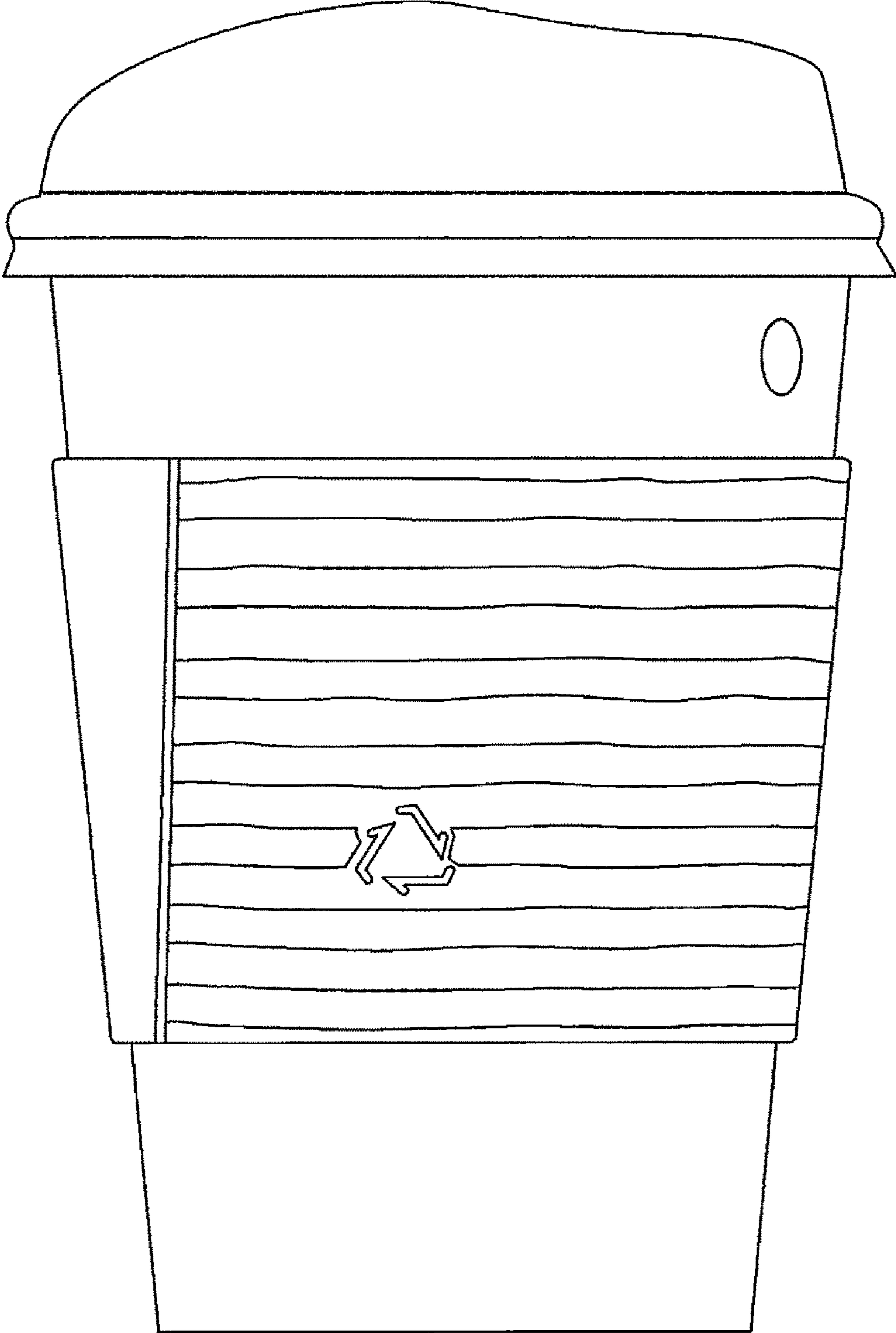


FIG. 4

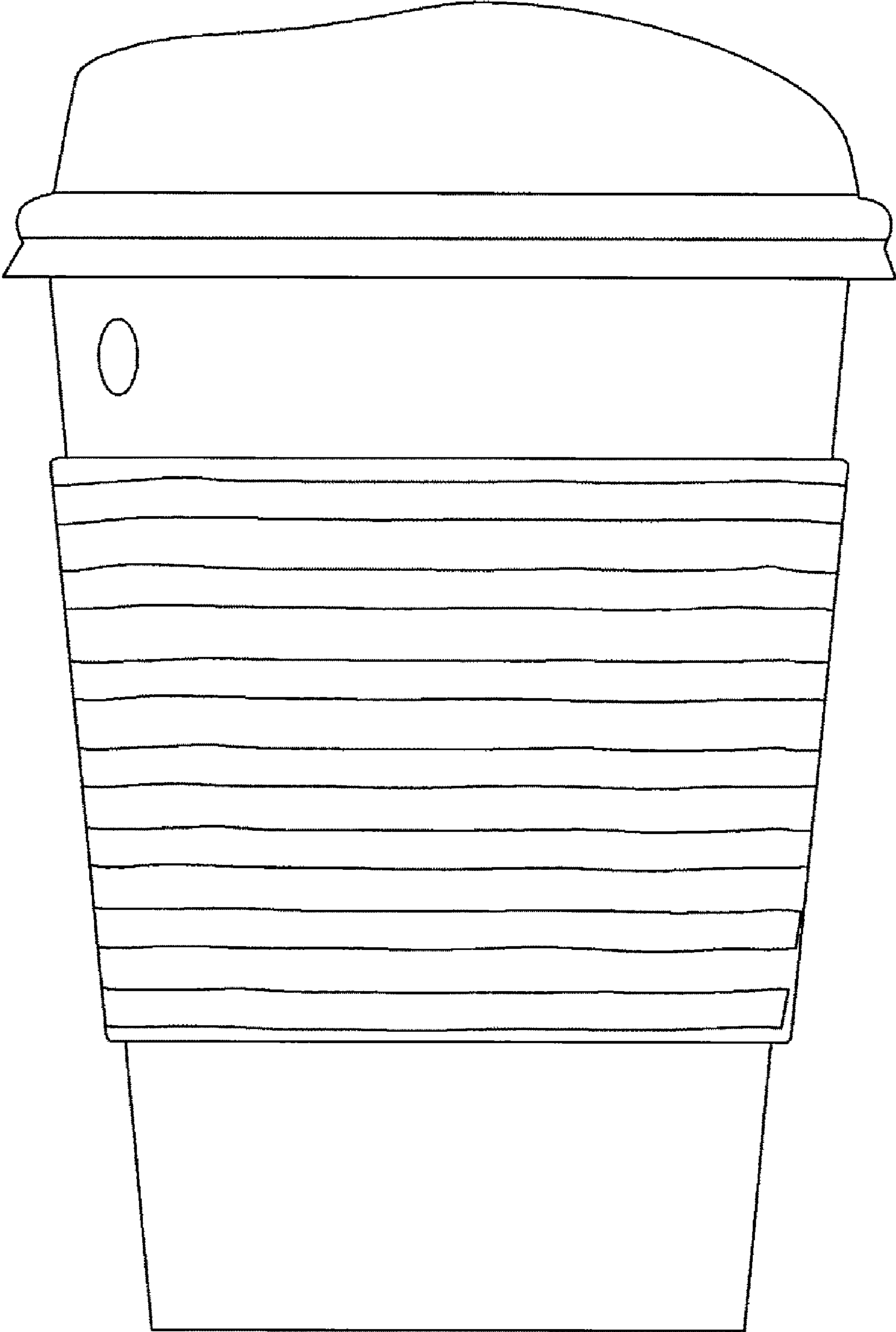


FIG. 5

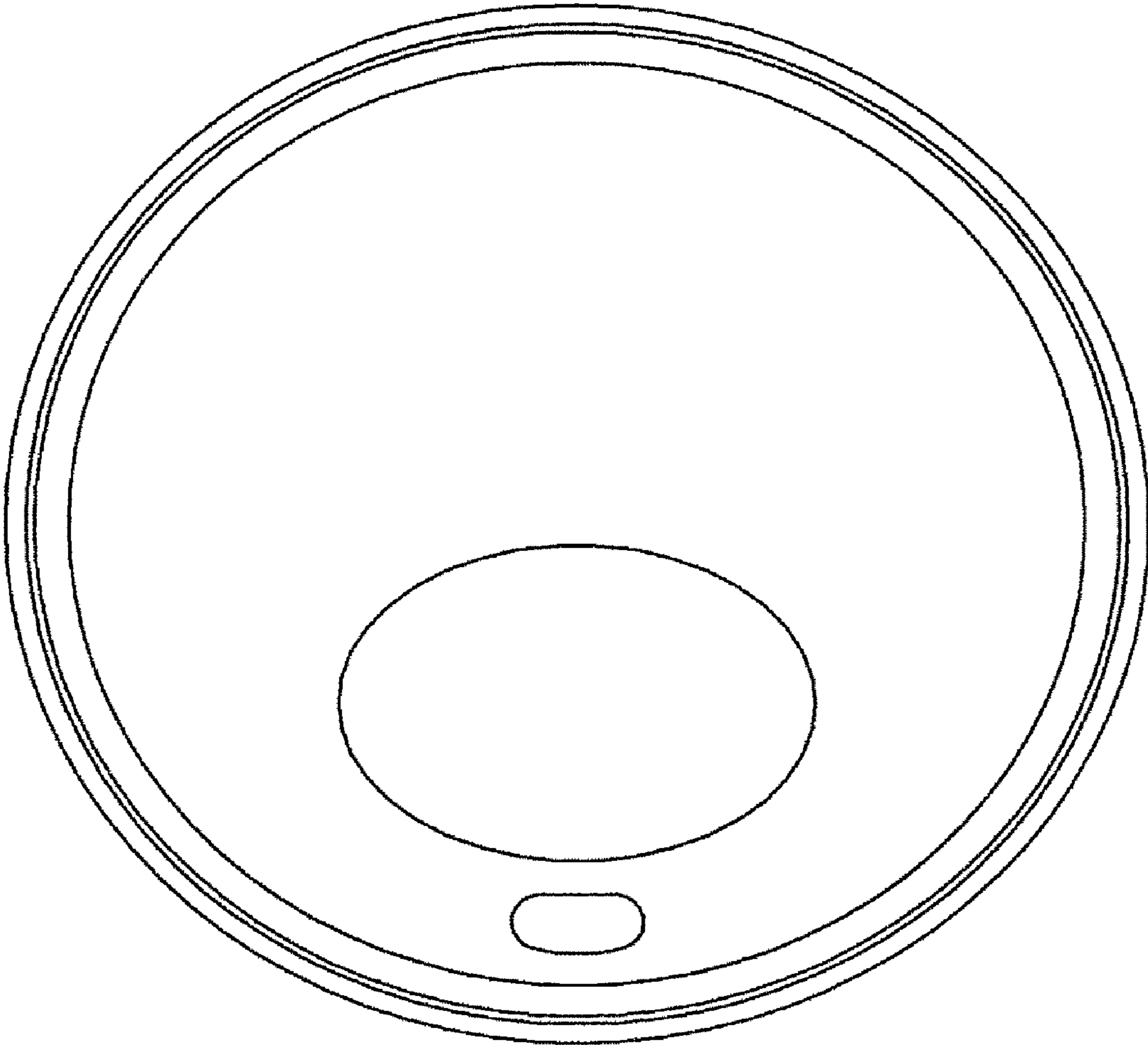


FIG. 6

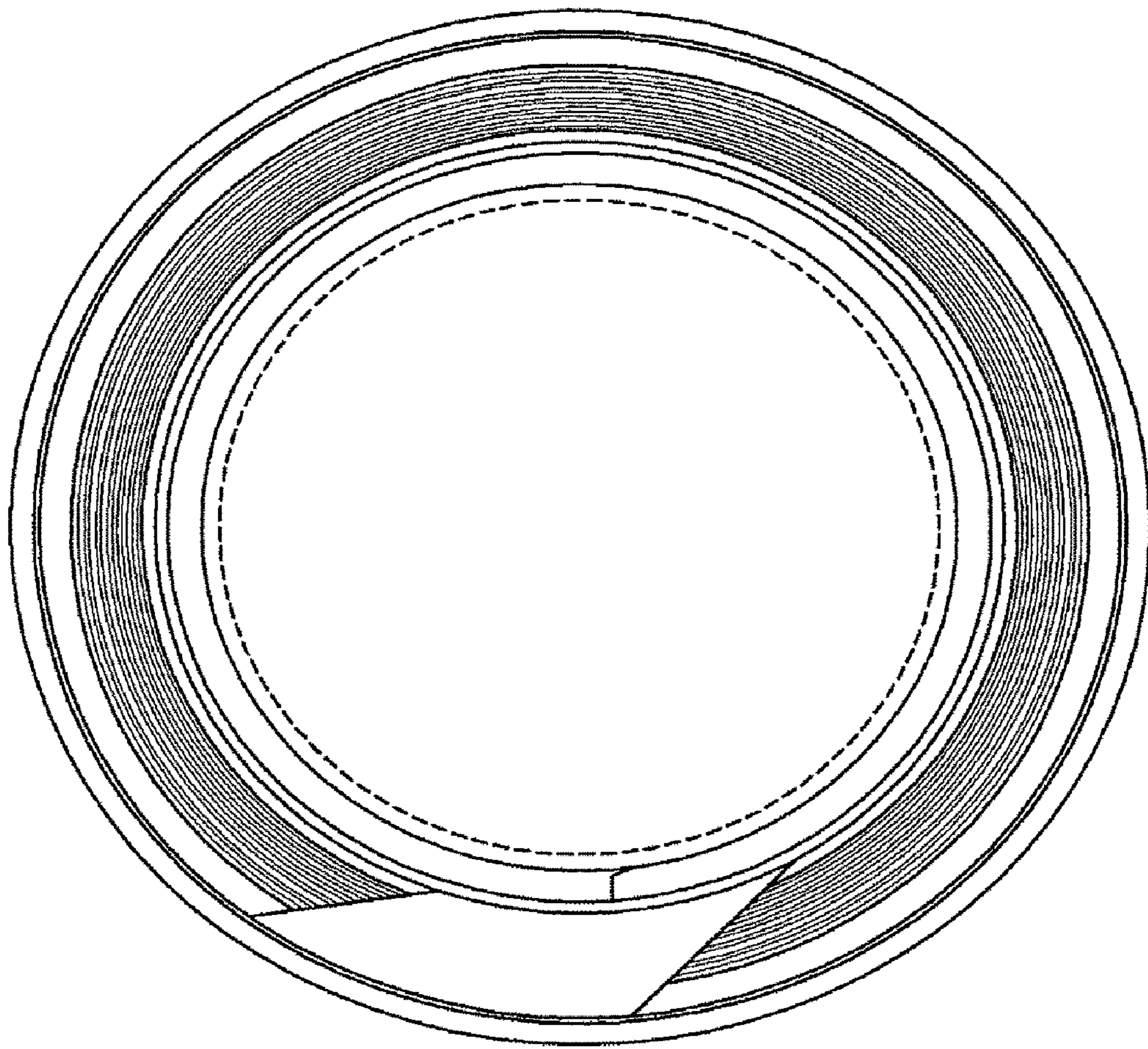


FIG. 7