



US00D672606S

(12) **United States Design Patent**
Dietz et al.

(10) **Patent No.:** **US D672,606 S**
(45) **Date of Patent:** **** Dec. 18, 2012**

- (54) **BLENDER JAR LID**
- (75) Inventors: **Phillip Dietz**, Saint George, UT (US);
Steven L Cottam, Ivins, UT (US)
- (73) Assignee: **Kitchen Resource LLC**, Salt Lake City,
UT (US)
- (**) Term: **14 Years**
- (21) Appl. No.: **29/415,481**
- (22) Filed: **Mar. 11, 2012**
- (51) **LOC (9) Cl.** **07-02**
- (52) **U.S. Cl.** **D7/412; D7/376; D7/378**
- (58) **Field of Classification Search** D7/301–313,
D7/316–319, 356–357, 368, 372–386, 391–398,
D7/412–415, 507, 665, 679, 693; 99/326,
99/337, 348, 492, 508–512; 220/23.88, 254.3,
220/254.7, 635; 222/109; 241/30–37.5,
241/101.01–101.2, 166–169.1, 172, 285.1–285.3,
241/291, 292.1; 366/64–67, 98, 129, 142–144,
366/197–211, 241–254, 262, 279–292, 325.8,
366/325.92, 341–347; 416/75–77, 70 R,
416/163
See application file for complete search history.

| | | | | | |
|--------------|------|---------|-------------------|-------|-----------|
| 6,983,862 | B2 * | 1/2006 | Nottingham et al. | | 222/109 |
| D586,620 | S * | 2/2009 | Sands | | D7/507 |
| 7,988,005 | B2 * | 8/2011 | Wagner | | 220/23.88 |
| 8,142,068 | B2 * | 3/2012 | McGill | | 366/347 |
| 8,210,391 | B2 * | 7/2012 | Luburic | | 220/635 |
| 2001/0036124 | A1 * | 11/2001 | Rubenstein | | 366/205 |
| 2004/0042337 | A1 * | 3/2004 | Yiu et al. | | 366/199 |
| 2004/0118847 | A1 * | 6/2004 | Giraud | | 220/254.3 |
| 2005/0068847 | A1 * | 3/2005 | Sands | | 366/205 |
| 2006/0261066 | A1 * | 11/2006 | Boozer et al. | | 220/254.7 |

* cited by examiner

Primary Examiner — Ricky Pham

(74) *Attorney, Agent, or Firm* — Zachary D. Renstrom

(57) **CLAIM**

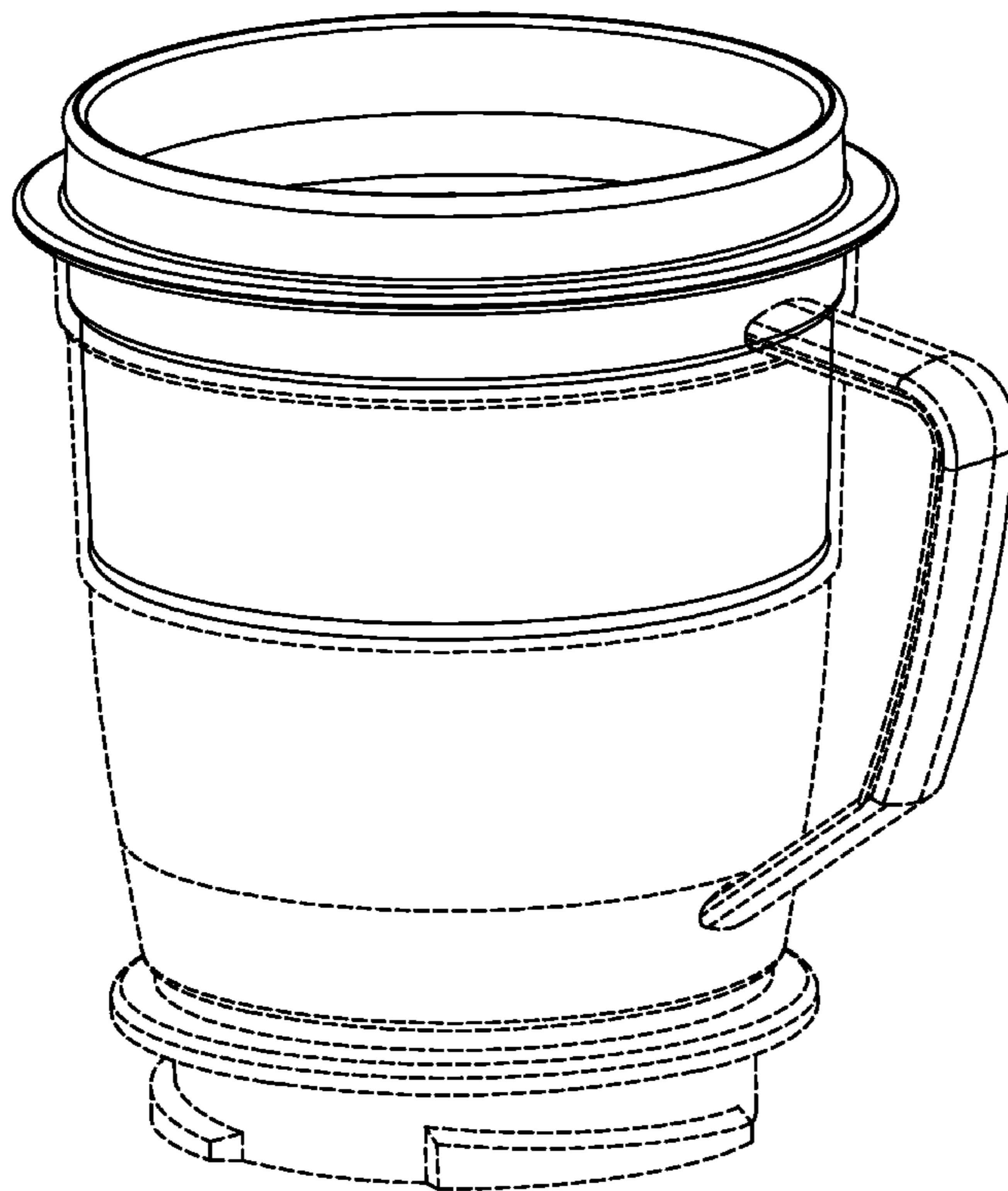
The ornamental design for a blender jar lid, as shown and described.

DESCRIPTION

FIG. 1 is an enlarged bottom perspective view of a blender jar lid of our new design;
 FIG. 2 is an enlarged top perspective view thereof;
 FIG. 3 is a bottom perspective view thereof;
 FIG. 4 is a top perspective view thereof;
 FIG. 5 is a side elevational view thereof;
 FIG. 6 is an enlarged cross-sectional view taken along the line 6-6 of FIG. 5; and,
 FIG. 7 is an enlarged exploded bottom perspective view thereof.
 The broken lines shown in the drawings are for illustrative purposes only and form no part of the claimed design.

1 Claim, 5 Drawing Sheets

- (56) **References Cited**
- U.S. PATENT DOCUMENTS
- D327,812 S * 7/1992 Thomas et al. D7/413
- 6,629,492 B1 * 10/2003 Li 99/337
- D500,633 S * 1/2005 Sands D7/396.2



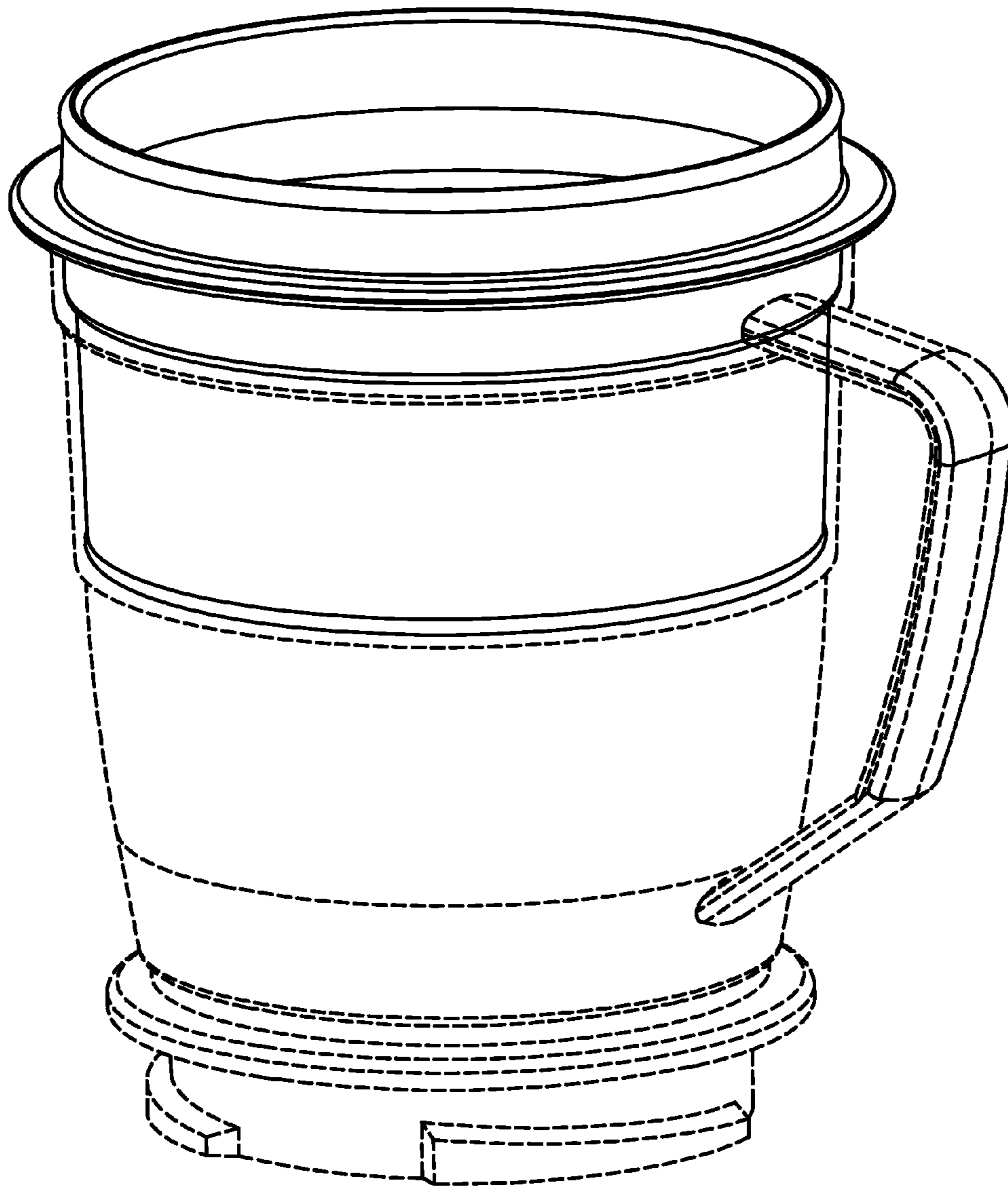


FIG. 1

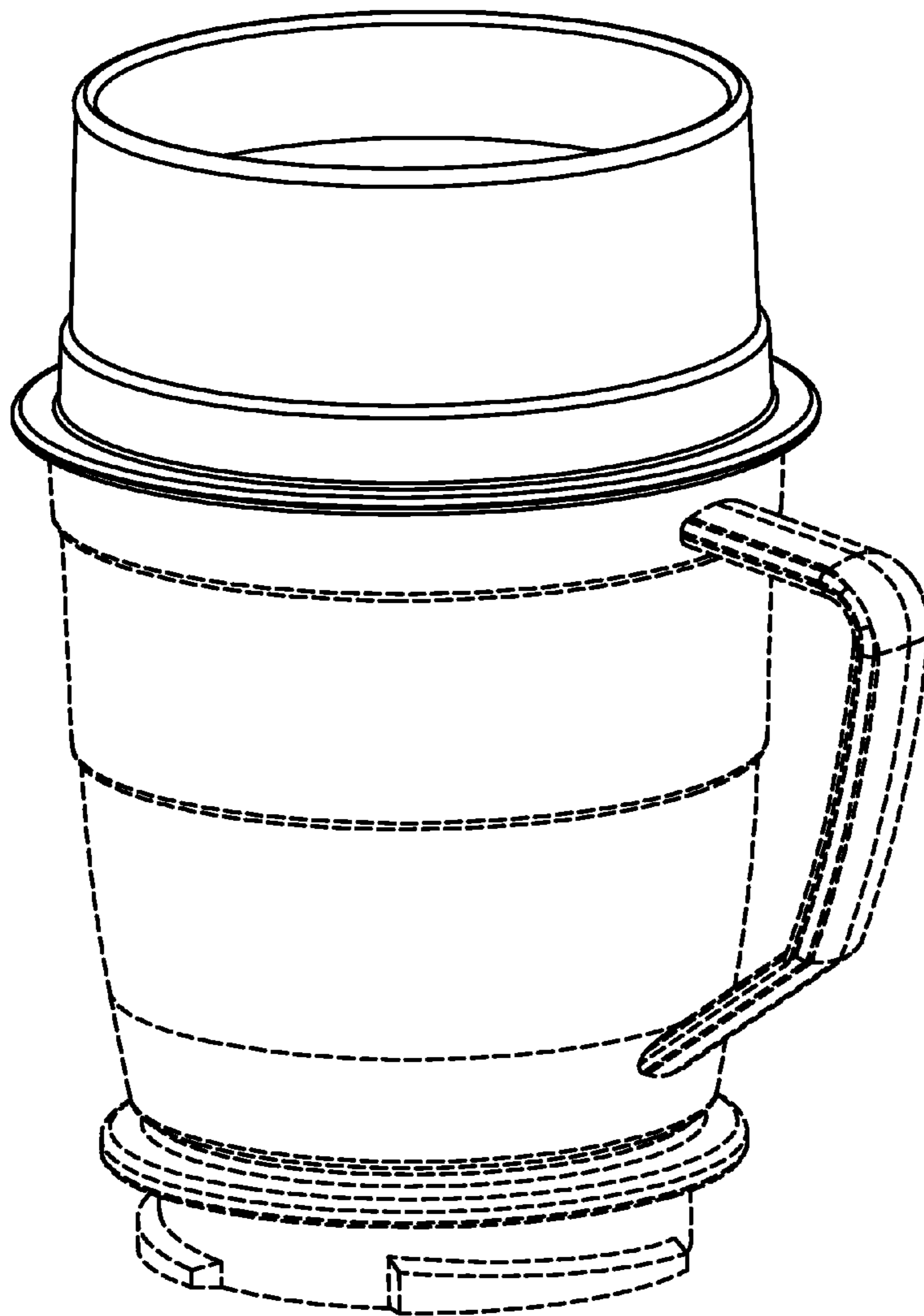


FIG. 2

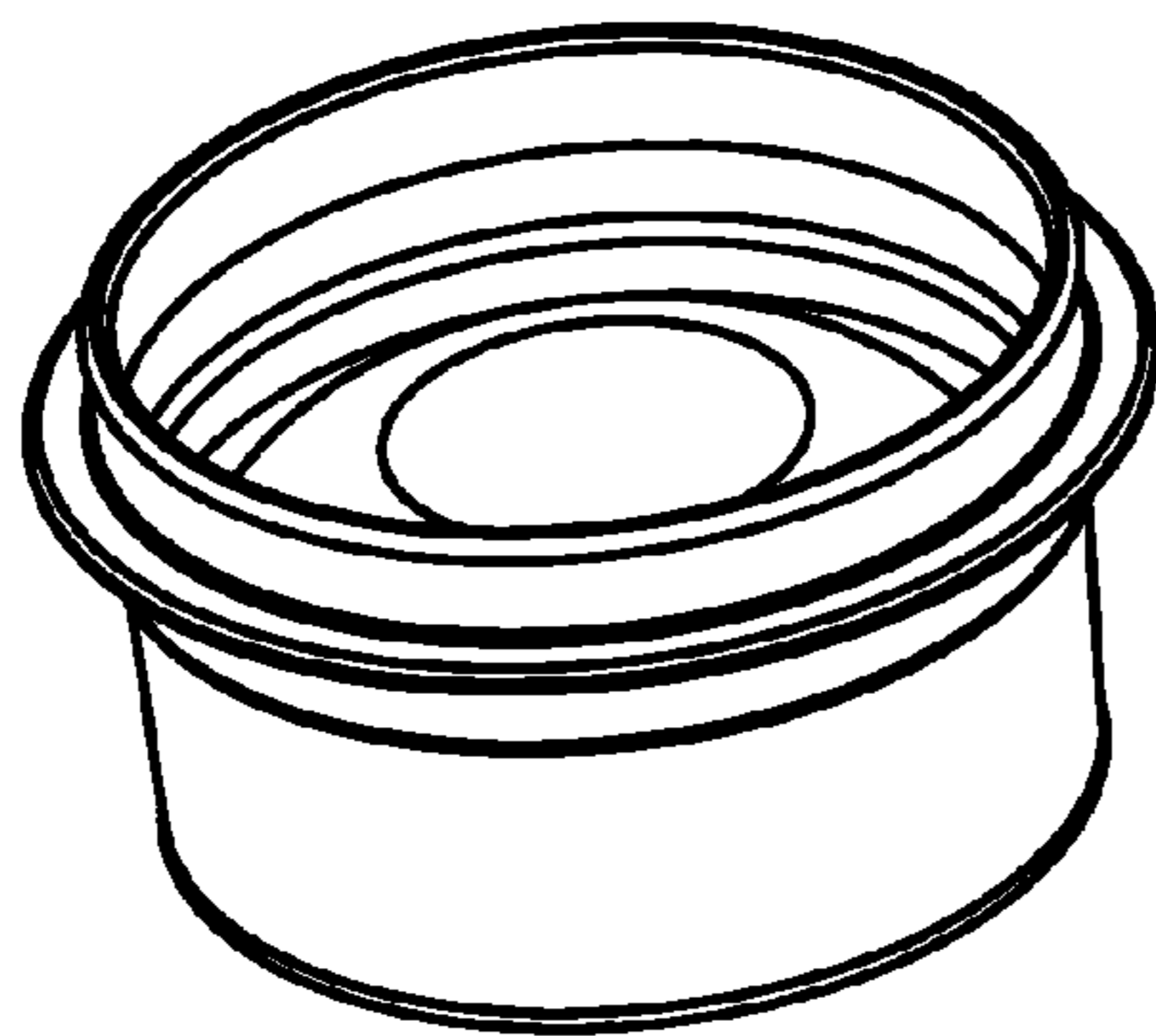


FIG. 3

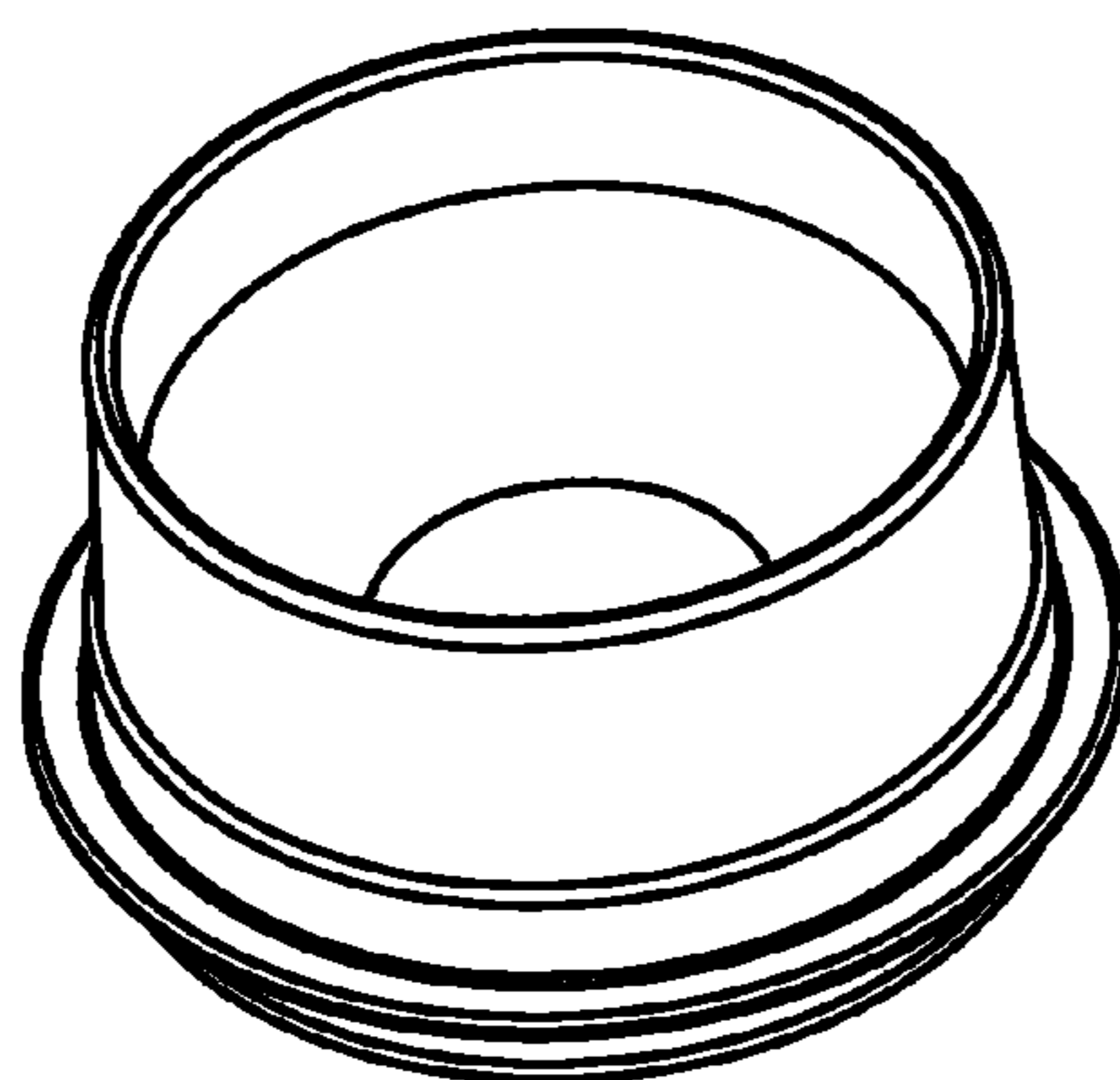


FIG. 4

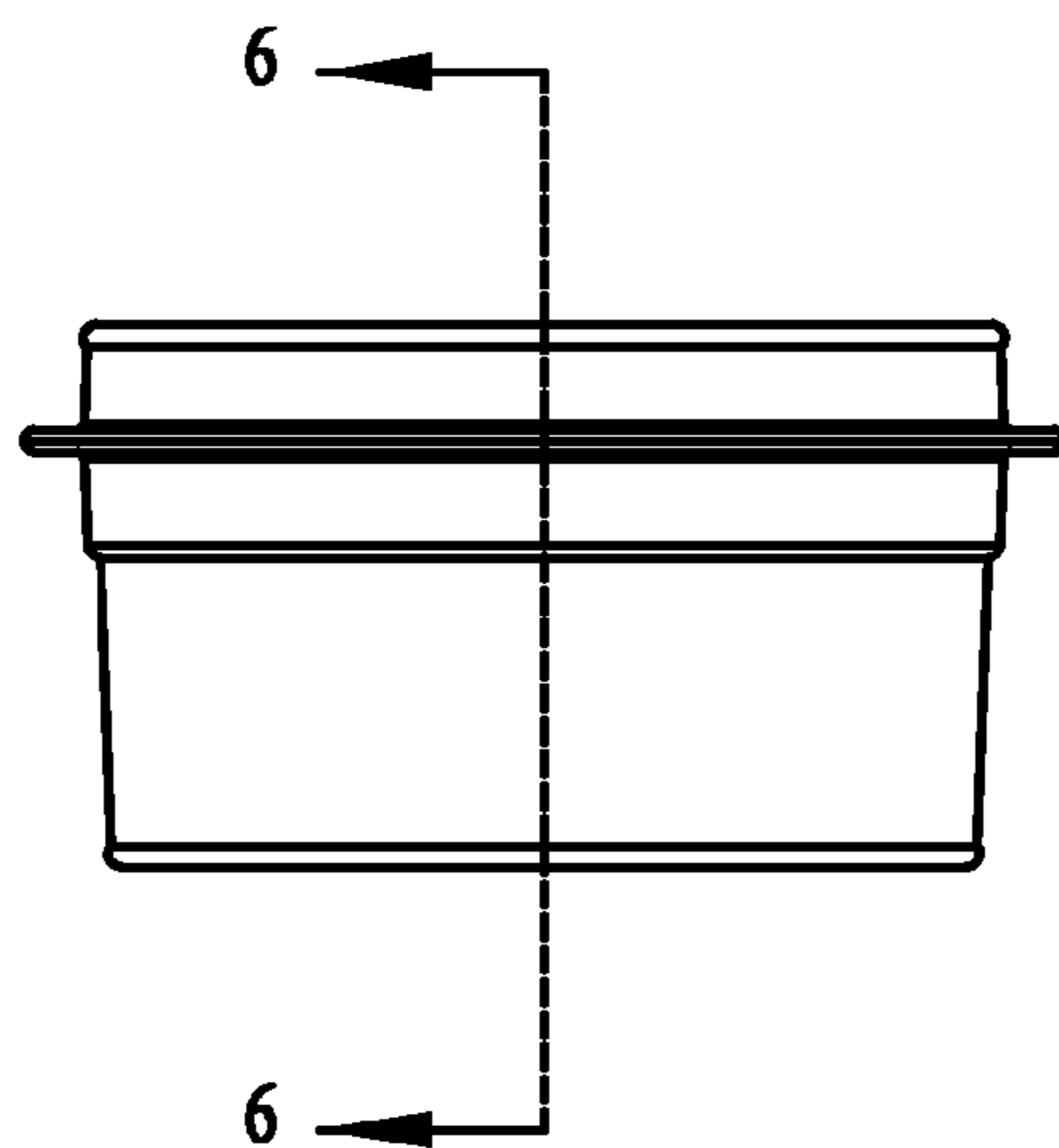


FIG. 5

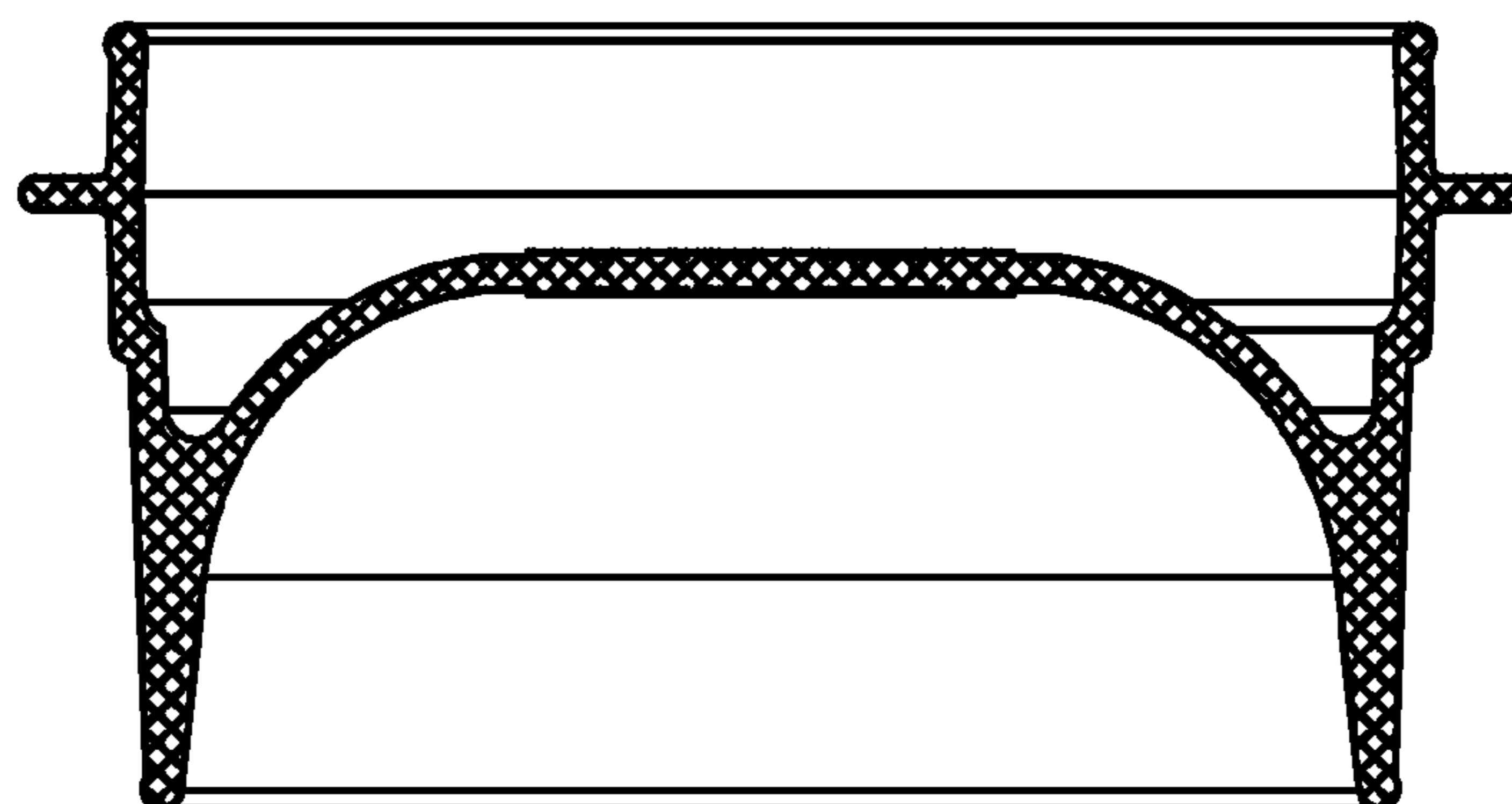


FIG. 6

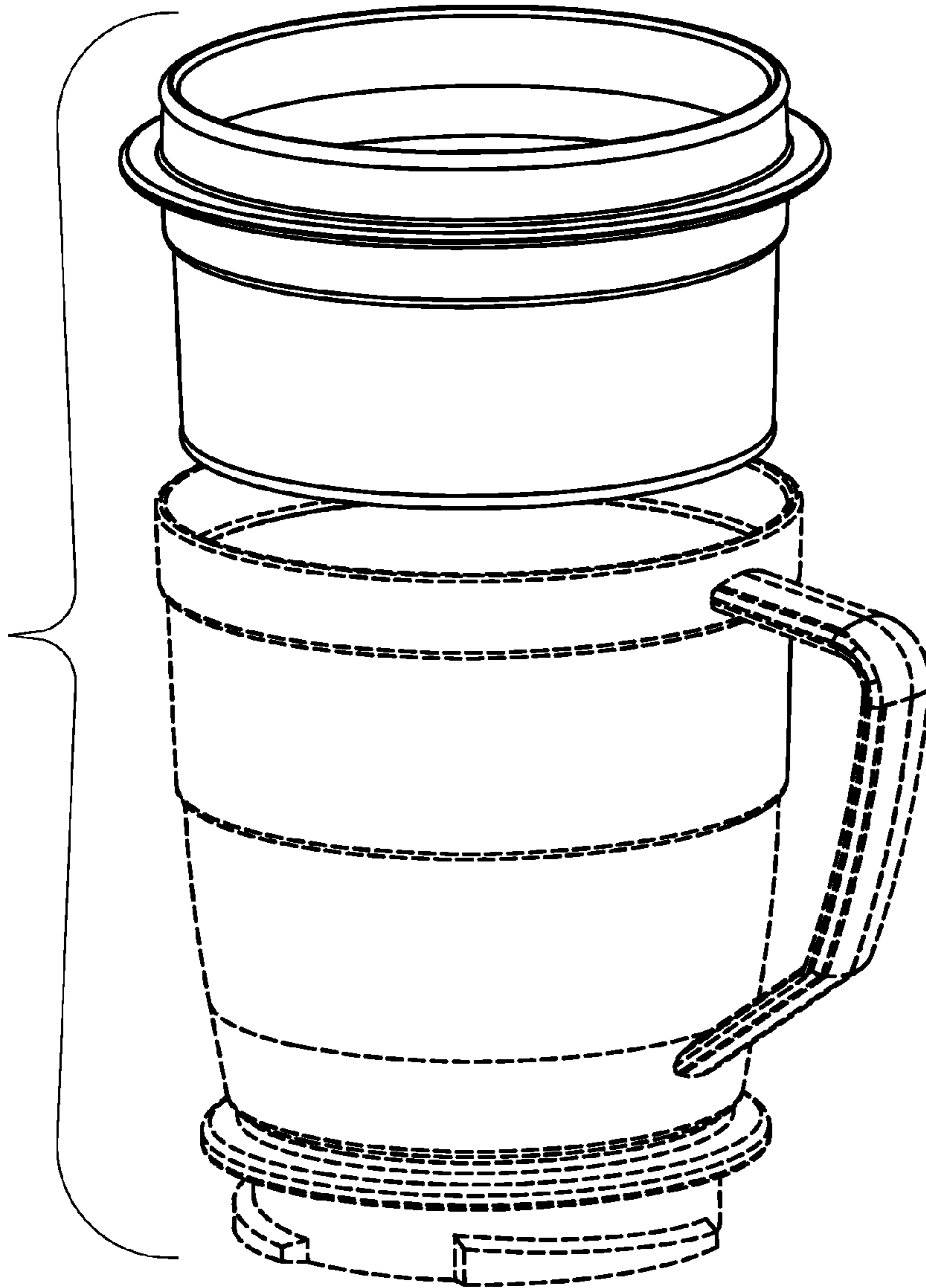


FIG. 7