



US00D672605S

(12) **United States Design Patent**
Miller et al.

(10) **Patent No.:** **US D672,605 S**

(45) **Date of Patent:** **** Dec. 18, 2012**

(54) **FLATWARE HANDLE**

(75) Inventors: **Amanda Miller**, Minneapolis, MN (US);
Kent D. Katterheinrich, St. Anthony,
MN (US)

(73) Assignee: **Target Brands, Inc.**, Minneapolis, MN
(US)

(**) Term: **14 Years**

(21) Appl. No.: **29/420,466**

(22) Filed: **May 9, 2012**

(51) **LOC (9) Cl.** **07-02**

(52) **U.S. Cl.** **D7/401.2; D7/649; D7/653**

(58) **Field of Classification Search** D7/368,
D7/393-395, 401.2, 642-646, 649-654, 660-664,
D7/669, 675-676, 683, 688-692, 695-696;
30/137, 141-143, 147-150, 322-327, 329,
30/340, 342-344; 416/70 R, 75
See application file for complete search history.

(56) **References Cited**

U.S. PATENT DOCUMENTS

D15,717 S *	1/1885	Grosjean	D7/645
D131,670 S *	3/1942	Nock	D7/661
D140,955 S *	4/1945	Price	D7/662
D173,184 S *	10/1954	Bowlen	D7/661
D183,631 S *	9/1958	Ressegger	D7/653
D185,480 S *	6/1959	Young et al.	D7/660
D202,653 S *	10/1965	Perry	D7/661
D215,121 S *	9/1969	Manderfield	D7/661
D219,683 S *	1/1971	Manderfield	D7/661
D225,021 S *	10/1972	Manderfield	D7/660
D225,898 S *	1/1973	Richmond	D7/661
D226,982 S *	5/1973	Manderfield	D7/661
D236,068 S *	7/1975	Lea	D7/661
D245,388 S *	8/1977	Richmond, II	D7/661
D257,610 S *	12/1980	Knope	D7/651
D257,658 S *	12/1980	Knope	D7/660
D260,228 S	8/1981	Lofgren		
D262,508 S *	1/1982	Richmond, II	D7/661

(Continued)

OTHER PUBLICATIONS

“Fancy Fake Utensils From Urban Outfitters,” www.apartment-therapy.com/fancy-fake-utensils-from-urban-58342, 2011 (2 pages).

(Continued)

Primary Examiner — Ricky Pham

(74) *Attorney, Agent, or Firm* — Griffiths & Seaton PLLC

(57) **CLAIM**

The ornamental design for a flatware handle, as shown and described.

DESCRIPTION

FIG. 1 is a perspective view of a flatware handle showing our new design;

FIG. 2 is a top view thereof, the bottom view being a mirror image of the top view;

FIG. 3 is a right side view thereof, the left side view being a mirror image of the right side view;

FIG. 4 is a bottom side view thereof; and

FIG. 5 is a top view thereof.

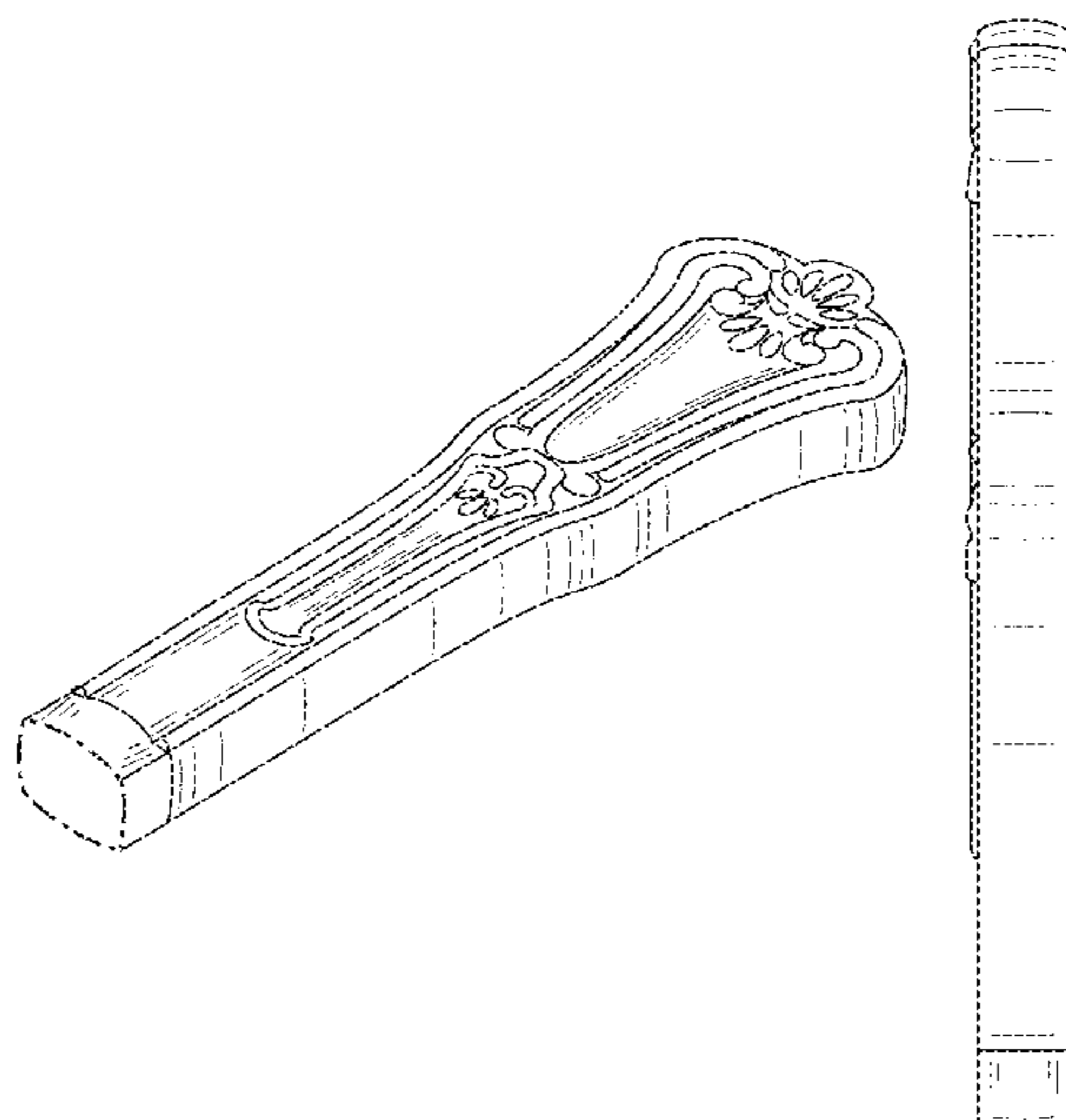
FIG. 6 is a perspective view of the flatware handle of FIG. 1 illustrated with additional unclaimed environmental subject matter according to a first embodiment.

FIG. 7 is a perspective view of the flatware handle of FIG. 1 illustrated with additional unclaimed environmental subject matter according to a second embodiment; and,

FIG. 8 is a perspective view of the flatware handle of FIG. 1 illustrated with additional unclaimed environmental subject matter according to a third embodiment.

The features shown in broken lines depict environmental subject matter that may be used with the flatware handle and form no part of the claimed design. The bolded long dash-short dash lines indicate the boundaries of the claim and otherwise form no part of the claimed design.

1 Claim, 5 Drawing Sheets



US D672,605 S

Page 2

U.S. PATENT DOCUMENTS

D263,195 S * 3/1982 Manderfield D7/661
D272,307 S * 1/1984 Cassini D7/661
D274,112 S * 6/1984 Richmond, II D7/661
D282,999 S * 3/1986 Richmond, II D7/661
D297,097 S * 8/1988 Richmond, II D7/651
D511,441 S * 11/2005 Shane-Schuldt D7/661
D618,053 S * 6/2010 Croll D7/401.2

D662,771 S * 7/2012 Richmond D7/401.2

OTHER PUBLICATIONS

“WNA Reflections Duet Disposable Knives 7.5”,” printed from
www.mrtakeoutbags.com/product/xfswnahrfkn480bk.html on Jan.
24, 2012 (2 pages).

* cited by examiner

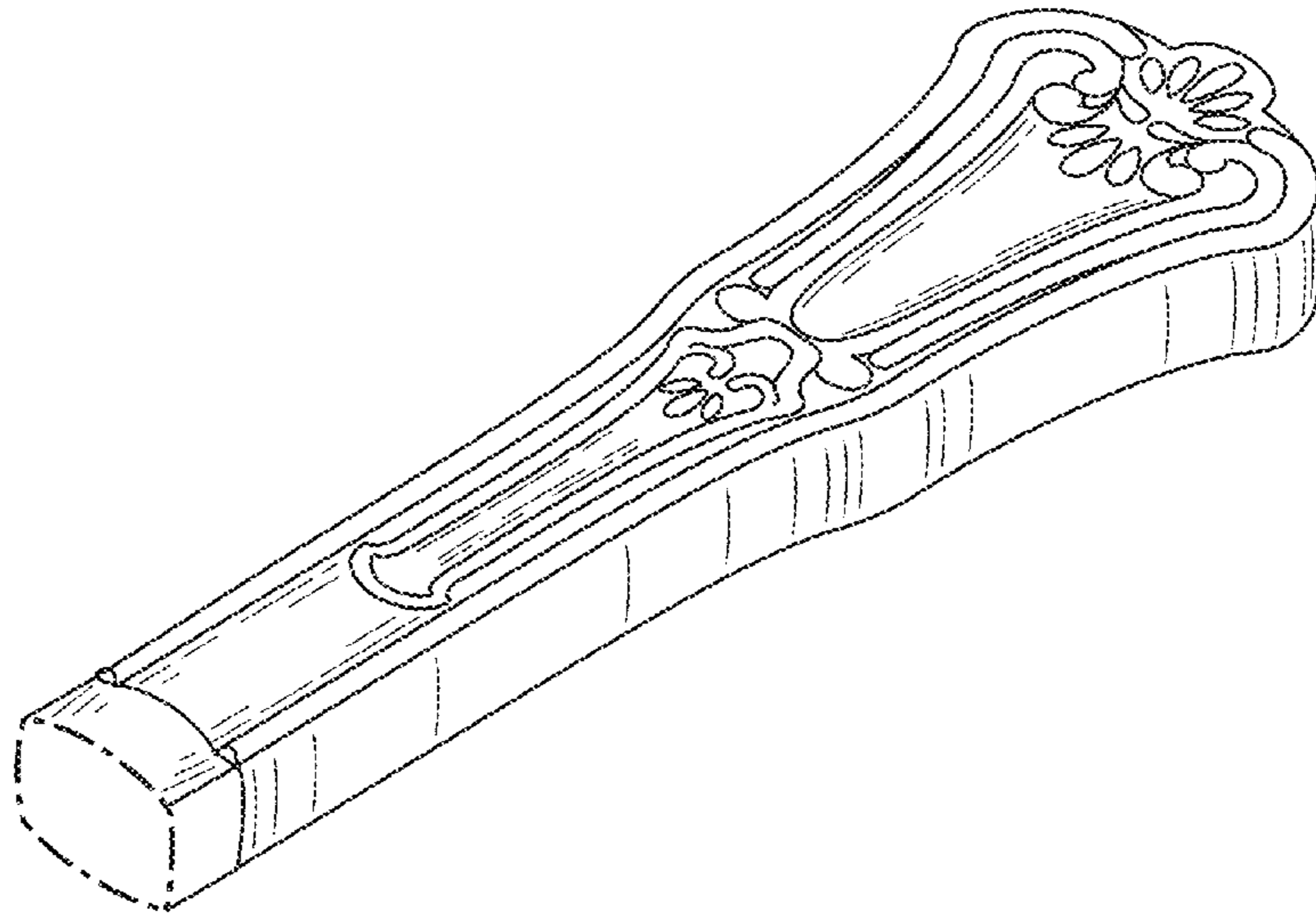


FIG. 1

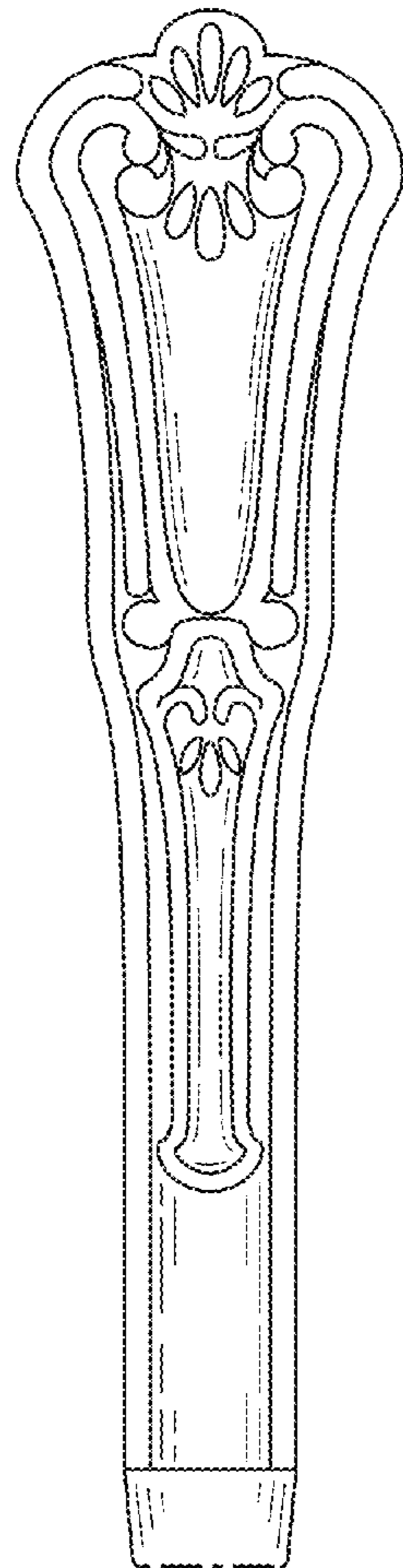


FIG. 2

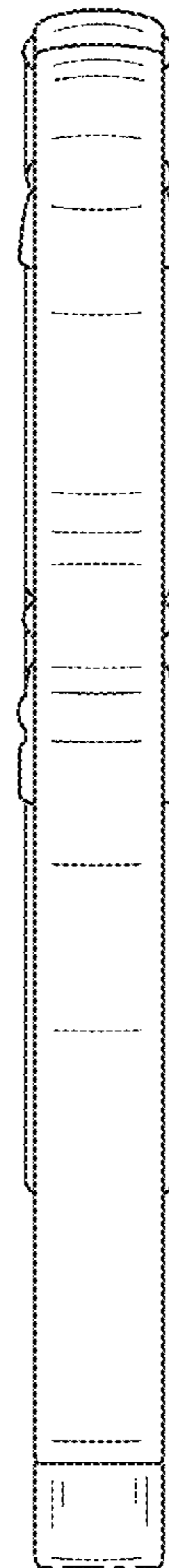


FIG. 3

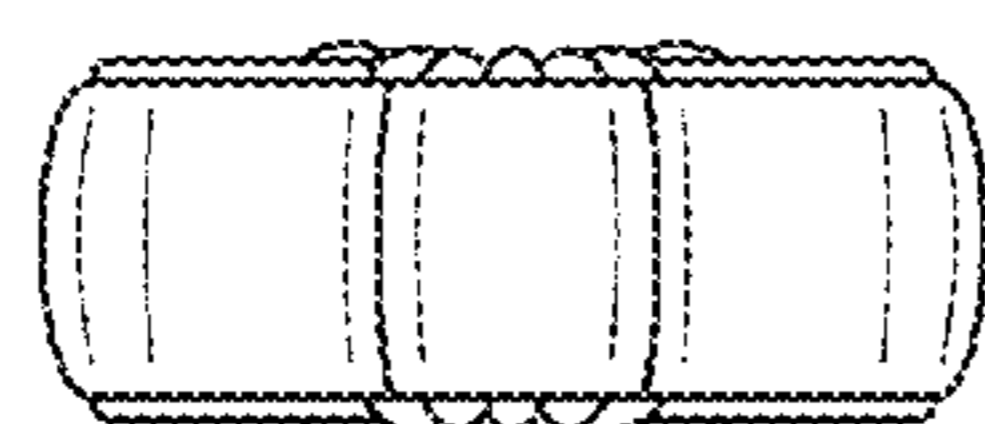


FIG. 4

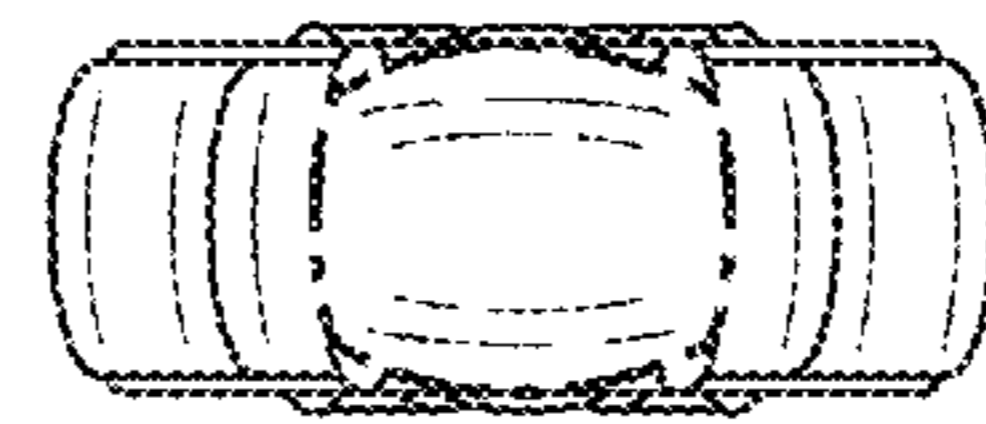


FIG. 5

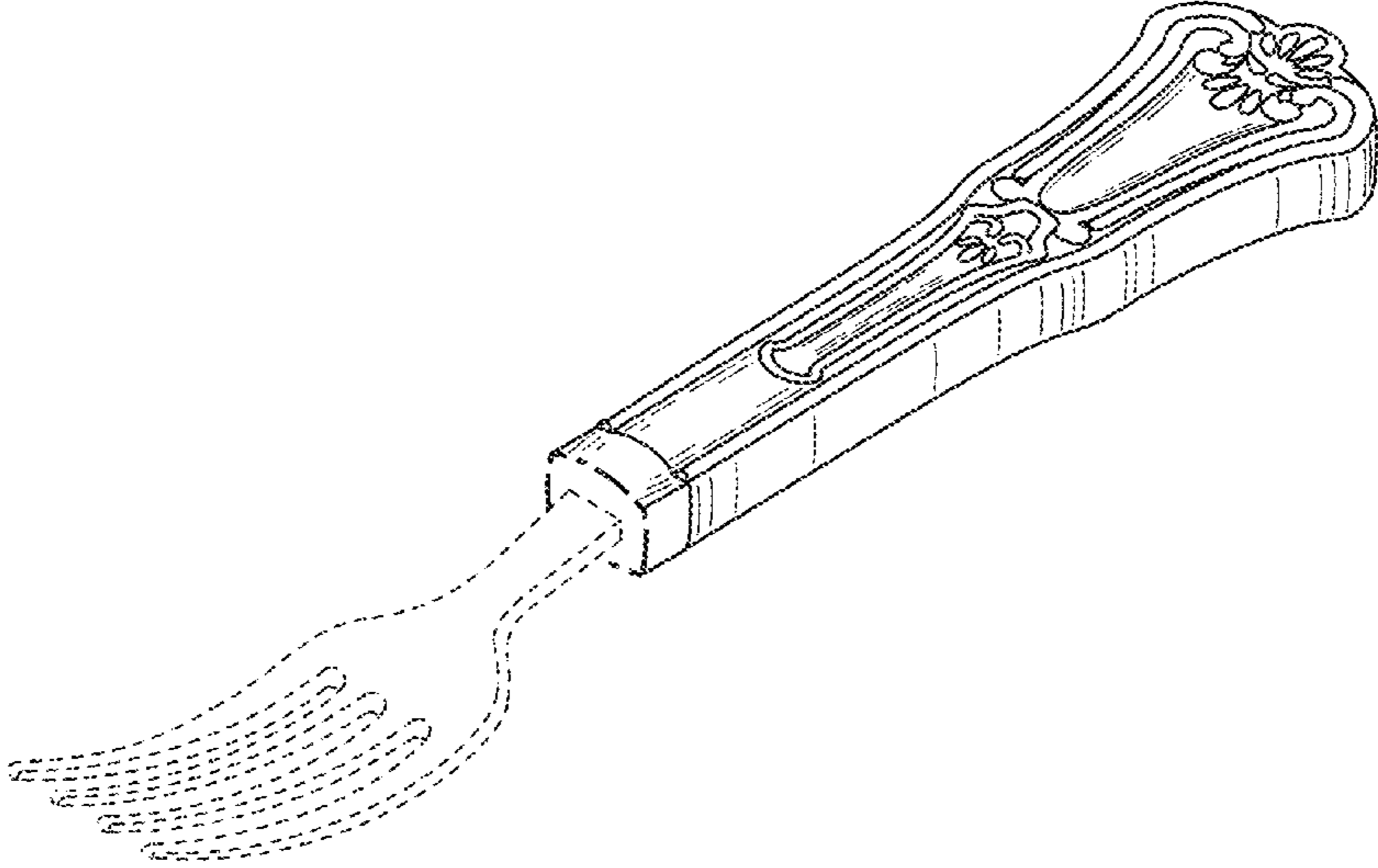


FIG. 6

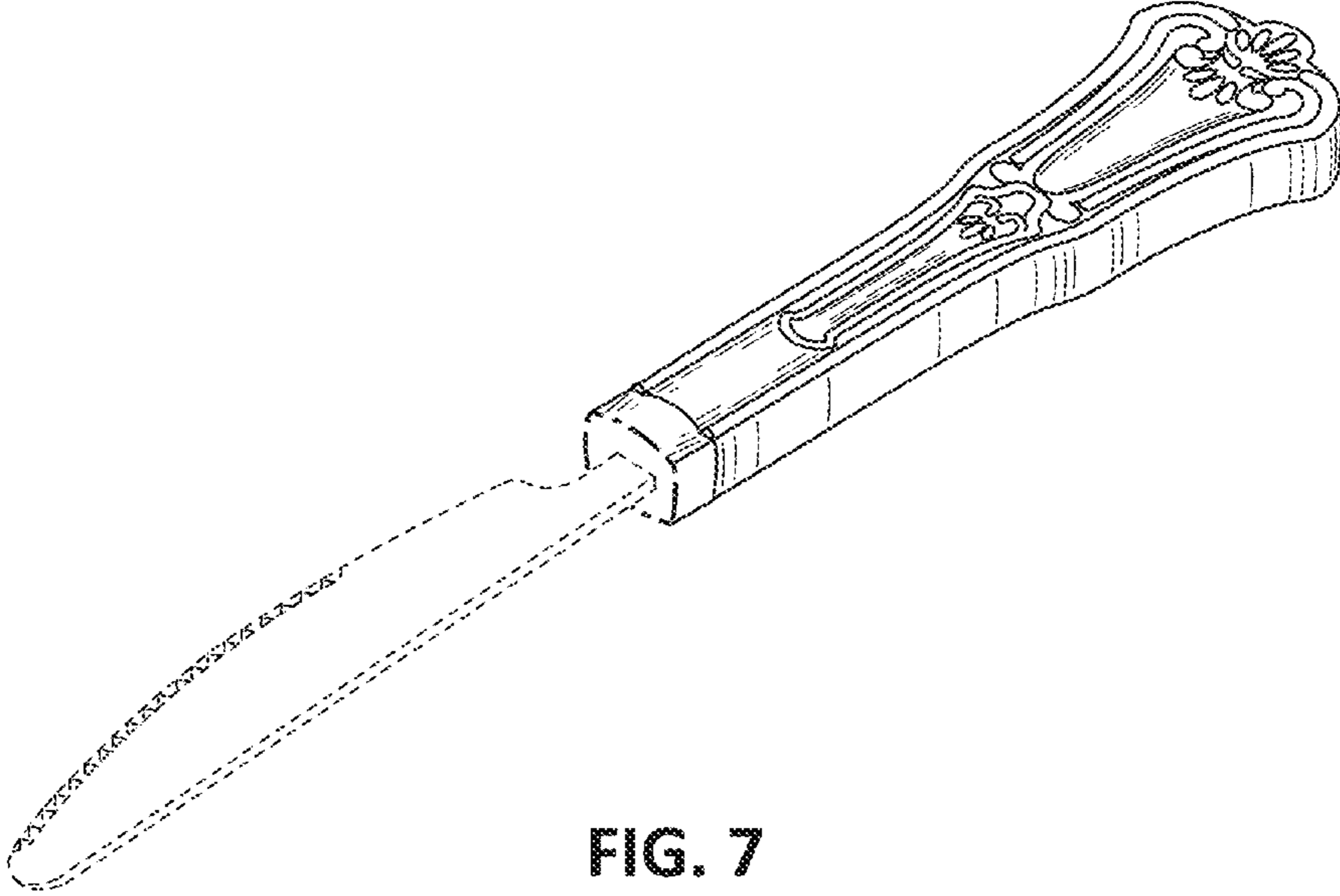


FIG. 7

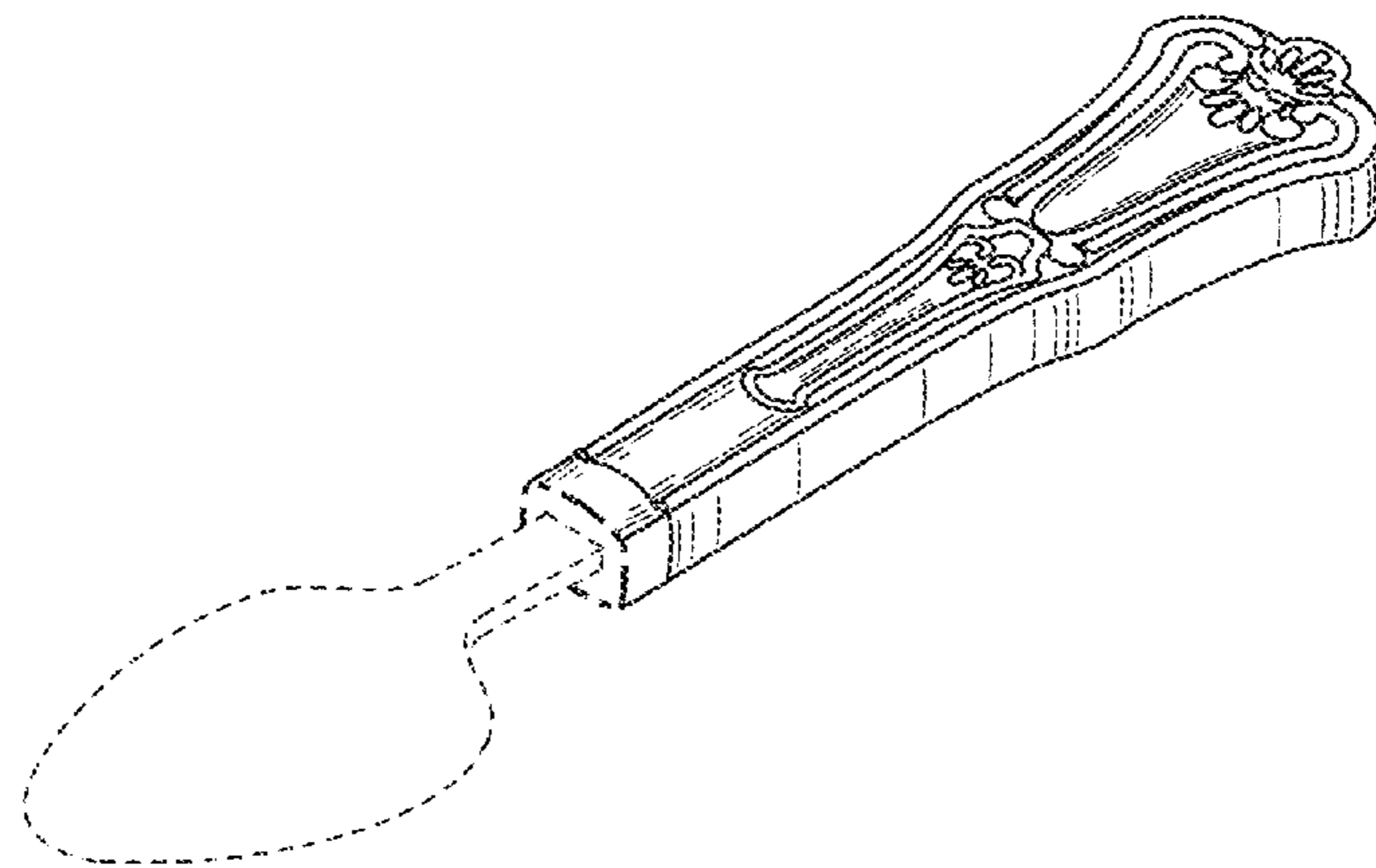


FIG. 8