

US00D672604S

(12) **United States Design Patent**  
**Upston et al.**

(10) **Patent No.:** **US D672,604 S**

(45) **Date of Patent:** **\*\* Dec. 18, 2012**

(54) **ELECTRIC SKILLET**

(75) Inventors: **Greg Upston**, Ridgewood (AU);  
**Nicholas Robinson**, Bronte (AU)

(73) Assignee: **Breville Pty Limited**, Botany, New  
South Wales (AU)

(\*\*) Term: **14 Years**

(21) Appl. No.: **29/416,509**

(22) Filed: **Mar. 22, 2012**

(51) **LOC (9) Cl.** ..... **07-02**

(52) **U.S. Cl.** ..... **D7/361; D7/354**

(58) **Field of Classification Search** ..... D7/323,  
D7/329-332, 337, 346-347, 350.1-350.4,  
D7/353-367, 391, 393, 395, 402, 406, 538,  
D7/542; 99/324-325, 331-332, 337-340,  
99/369, 400-422, 425, 444, 483; 126/37 R,  
126/41 R, 261, 378.1; 206/501-505, 507-508;  
219/400, 405, 429-442, 620-624, 725, 730-735;  
220/4.03, 315, 573.1-573.5, 912; 426/438,  
426/441

See application file for complete search history.

(56) **References Cited**

**U.S. PATENT DOCUMENTS**

D85,804 S \* 12/1931 Axford ..... D7/359  
D154,967 S \* 8/1949 Watkins ..... D7/359

D166,780 S \* 5/1952 Watkins ..... D7/359  
3,457,852 A \* 7/1969 Kwoh ..... 99/340  
D246,884 S \* 1/1978 Finke ..... D7/361  
D297,604 S \* 9/1988 Hagberg et al. .... D7/359  
D414,981 S \* 10/1999 Roskind et al. .... D7/359  
6,298,775 B1 \* 10/2001 Chen ..... 99/422  
D458,797 S \* 6/2002 Kellermann ..... D7/360  
D470,711 S \* 2/2003 Kloppsteck ..... D7/359  
D511,929 S \* 11/2005 Coppi ..... D7/359  
D525,078 S \* 7/2006 Hoenstein ..... D7/359  
D594,271 S \* 6/2009 Bodum ..... D7/361

\* cited by examiner

*Primary Examiner* — Ricky Pham

(74) *Attorney, Agent, or Firm* — Molins & Co

(57) **CLAIM**

The ornamental design for an electric skillet, as shown and described.

**DESCRIPTION**

FIG. 1 is a front perspective view of an electric skillet showing our new design;  
FIG. 2 is a top view thereof;  
FIG. 3 is a bottom view thereof;  
FIG. 4 is a front view thereof;  
FIG. 5 is a left side view thereof;  
FIG. 6 is a right side view thereof; and,  
FIG. 7 is a rear view thereof.  
The article is an electric skillet.

**1 Claim, 7 Drawing Sheets**



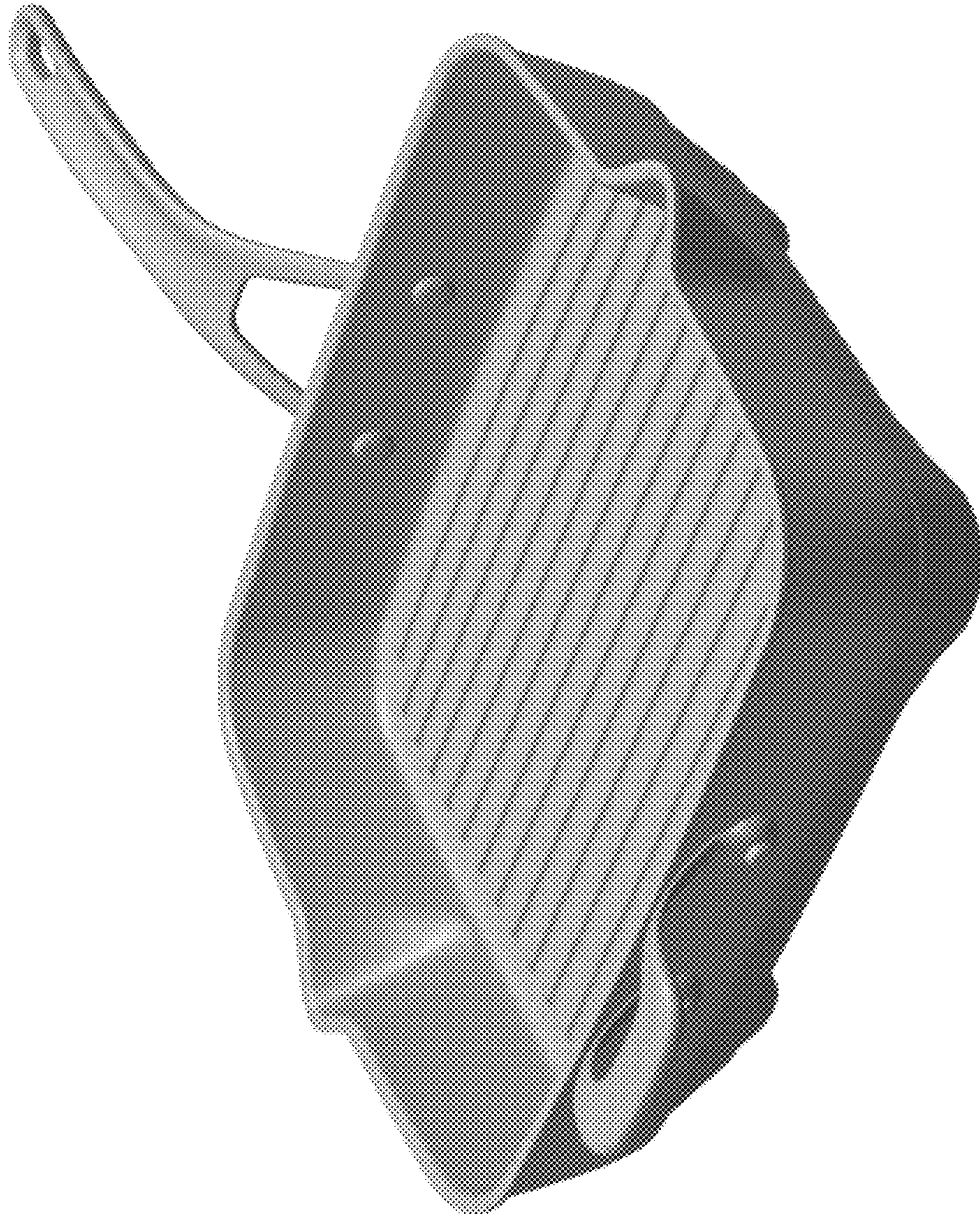


Figure 1



Figure 2



Figure 3

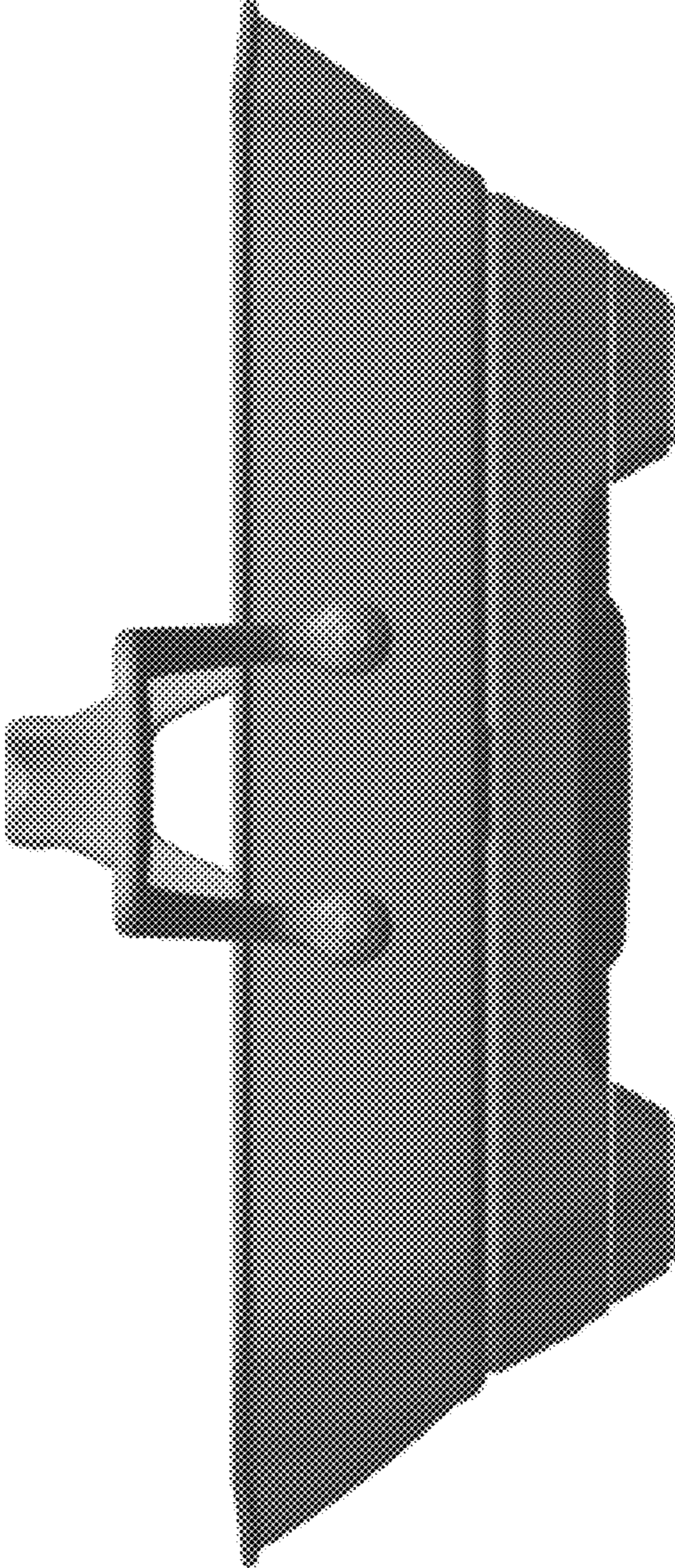


Figure 4

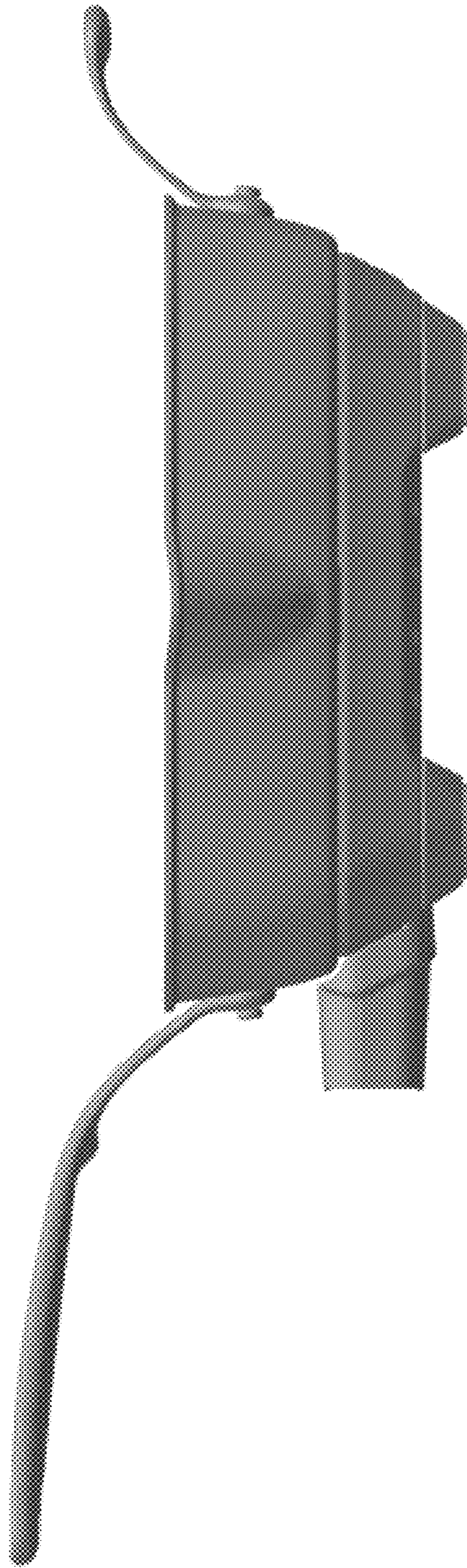


Figure 5

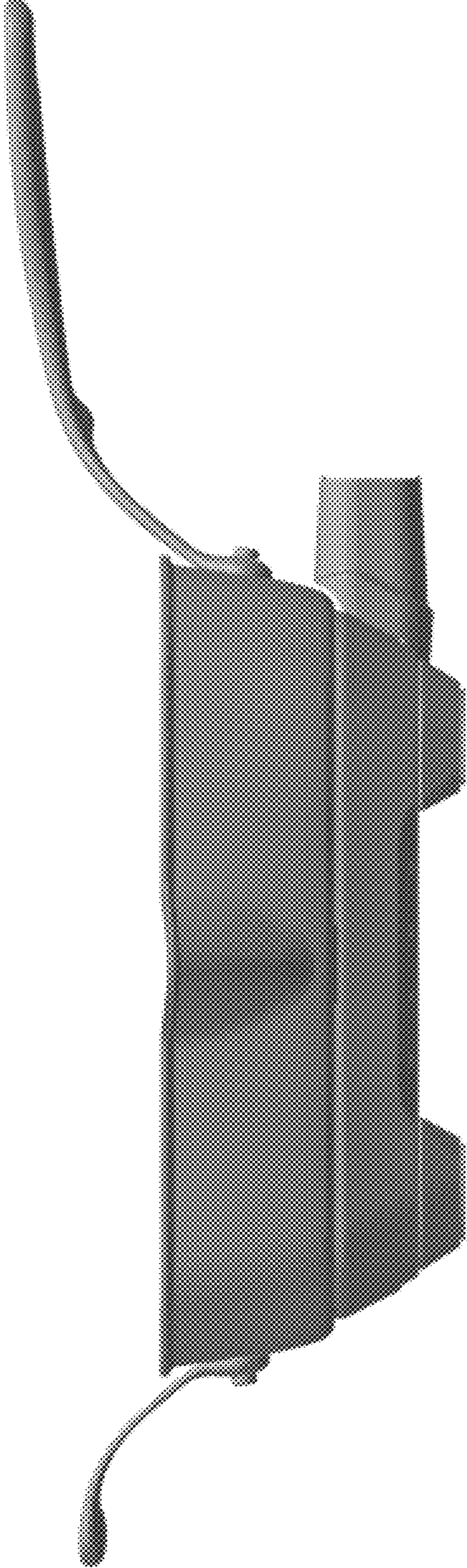


Figure 6

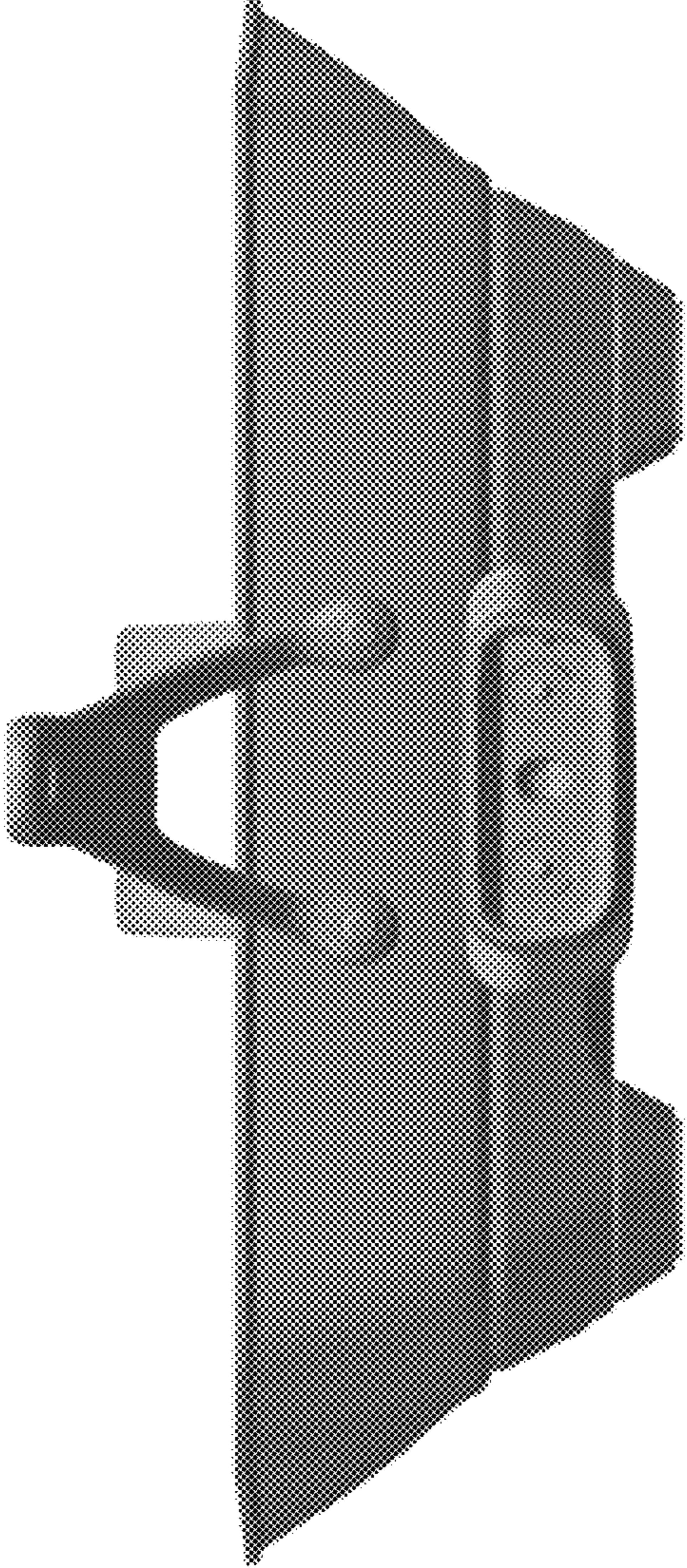


Figure 7