



US00D672598S

(12) **United States Design Patent**
Ghioni

(10) **Patent No.:** **US D672,598 S**
(45) **Date of Patent:** **** Dec. 18, 2012**

- (54) **WRAP**
- (75) Inventor: **Armand P. Ghioni**, Somerville, MA (US)
- (73) Assignee: **Armand P Ghioni**, Somerville, MA (US)
- (**) Term: **14 Years**
- (21) Appl. No.: **29/426,068**
- (22) Filed: **Jun. 29, 2012**

Related U.S. Application Data

- (63) Continuation-in-part of application No. 12/177,058, filed on Jul. 21, 2008.
- (51) **LOC (9) Cl.** **06-13**
- (52) **U.S. Cl.** **D6/611**
- (58) **Field of Classification Search** D6/610, D6/611, 596, 601, 602, 603, 615, 617, 621; D7/332, 334-337; D12/401-405; 135/87, 135/88.01, 95; 150/165-167, 158, 154; 280/770; 296/136.01, 136.1, 136.11
See application file for complete search history.

(56) **References Cited**

U.S. PATENT DOCUMENTS

1,697,027	A *	1/1929	Stevenson	5/131
2,139,980	A *	12/1938	Simon	5/493
2,637,360	A	5/1953	Doebler		
3,297,001	A	1/1967	Locke et al.		
3,408,661	A	11/1968	Hammond		
D279,413	S	6/1985	Balducci		
D286,322	S	10/1986	Catania et al.		
4,683,839	A	8/1987	Uhrick		
4,834,025	A	5/1989	Tum		
4,979,469	A	12/1990	Clark		
5,000,118	A	3/1991	Merritt et al.		
D322,192	S	12/1991	Alvey		
D328,529	S	8/1992	Lenarczyk		
D329,515	S	9/1992	Isaac		
D370,724	S	6/1996	Elsey		

5,551,378	A	9/1996	Dewalt		
5,718,254	A *	2/1998	Murphy	135/96
D393,111	S	3/1998	Herber		
5,802,637	A *	9/1998	Bordo	5/493
6,062,169	A	5/2000	Wade et al.		
6,161,808	A	12/2000	East et al.		
6,178,574	B1	1/2001	Stromatt et al.		
D439,315	S	3/2001	Valentin		
D471,049	S *	3/2003	Dale	D6/596
D478,762	S	8/2003	Cunningham		
D481,496	S	10/2003	Sequino		
6,666,168	B2	12/2003	Stutz et al.		
6,892,673	B2	5/2005	Zwezdaryk		
D515,746	S	2/2006	Sequino		
D522,789	S *	6/2006	Kahn	D6/610
D532,561	S *	11/2006	La Luzerne	D30/119
D540,448	S	4/2007	Wolsifer		
D540,604	S *	4/2007	Hart	D6/596

(Continued)

Primary Examiner — Katrina A Betton

(74) *Attorney, Agent, or Firm* — AGG Intellectual Property Law; Antoinette G Giugliano

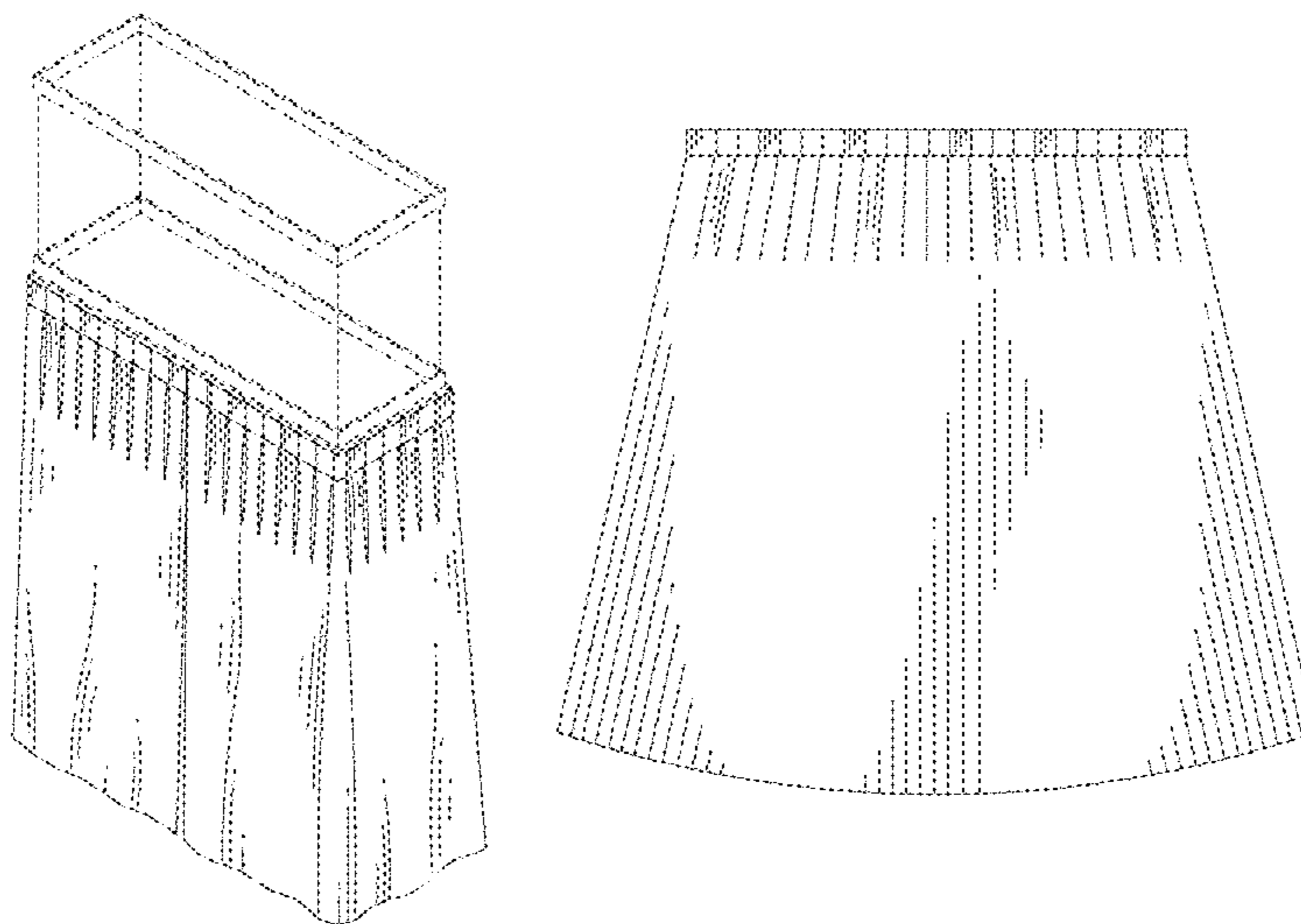
(57) **CLAIM**

The ornamental design for a wrap, as shown and described.

DESCRIPTION

FIG. 1 is a perspective view of the wrap of the present invention consisting of two skirts which are identical. FIG. 2 is a front perspective view thereof one of the skirts. FIG. 3 is a rear perspective view thereof. FIG. 4 is a front elevation view thereof. FIG. 5 is a rear elevation view thereof. FIG. 6 is a top view thereof. FIG. 7 is an enlarged top elevation view thereof. FIG. 8 is a bottom view thereof. FIG. 9 is a left side elevation view thereof; and, FIG. 10 is a right side elevation view thereof. The broken lines shown in FIGS. 1, 3, 5, 6, and 8, illustrate features of the article to which the design is applied that form no part of the claimed design.

1 Claim, 7 Drawing Sheets



US D672,598 S

Page 2

U.S. PATENT DOCUMENTS						
D545,506 S	6/2007	Wang	8,176,862 B2 *	5/2012	Birdwell	112/475.08
D557,867 S	12/2007	Northrop	D663,990 S *	7/2012	Wagner-Henninger	D6/602
D577,531 S	9/2008	Brown	2005/0155259 A1	7/2005	Virvo	
D592,002 S *	5/2009	Knee	2008/0060585 A1	3/2008	Garfield	
D634,958 S *	3/2011	Burgio-Timmany	2008/0078308 A1	4/2008	Edinger et al.	
D634,968 S *	3/2011	Drummond et al.				

* cited by examiner

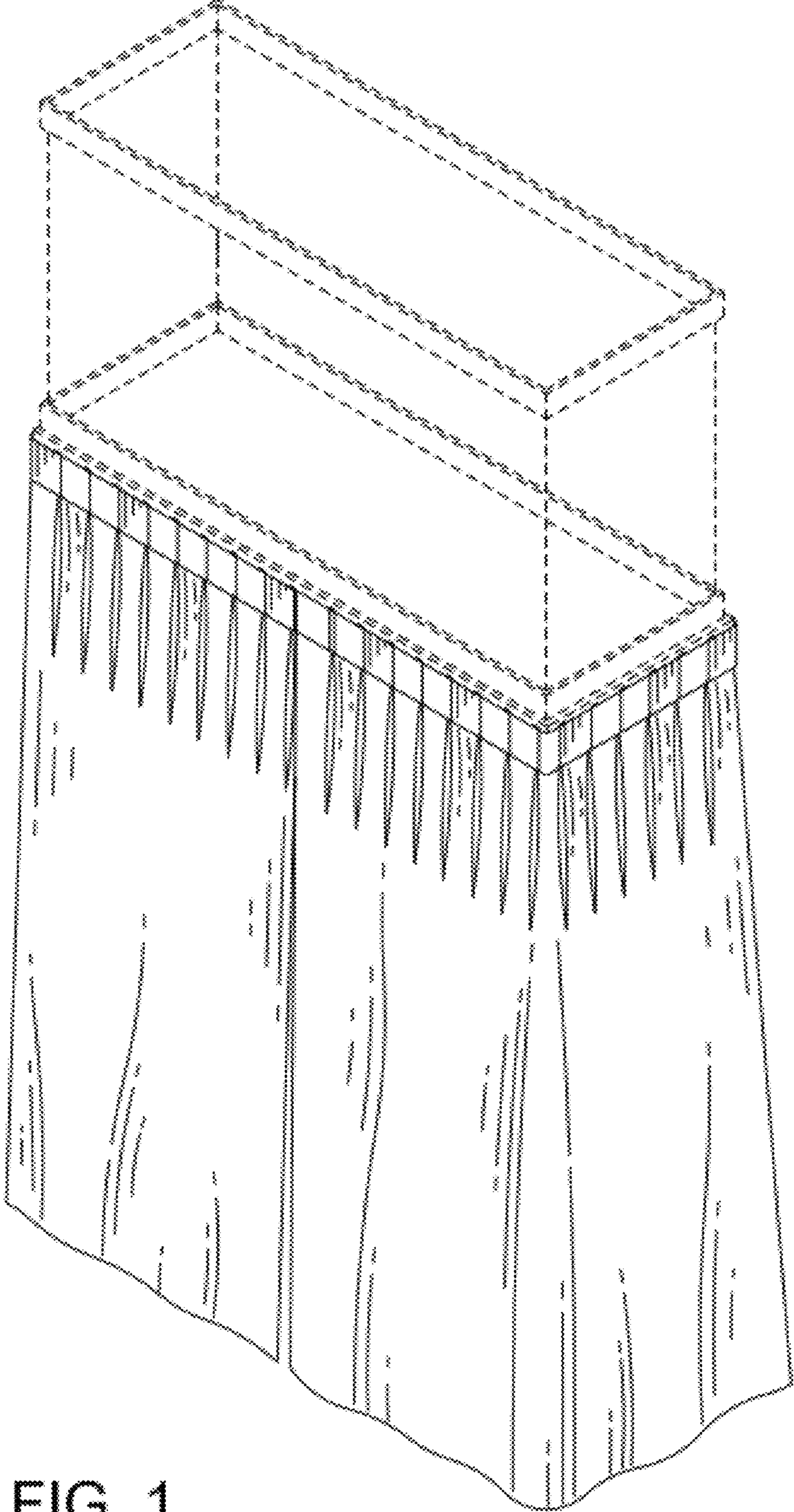


FIG. 1

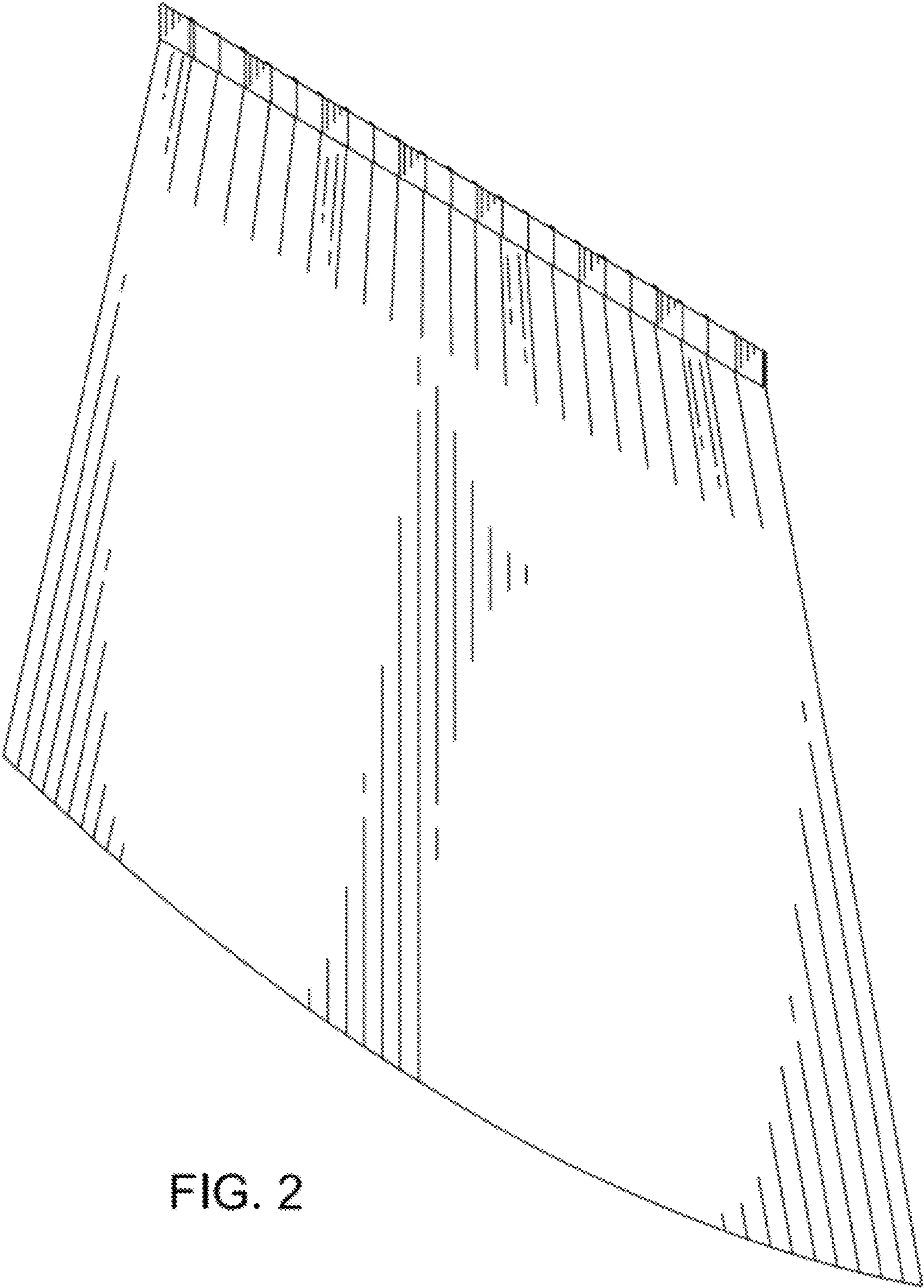


FIG. 2

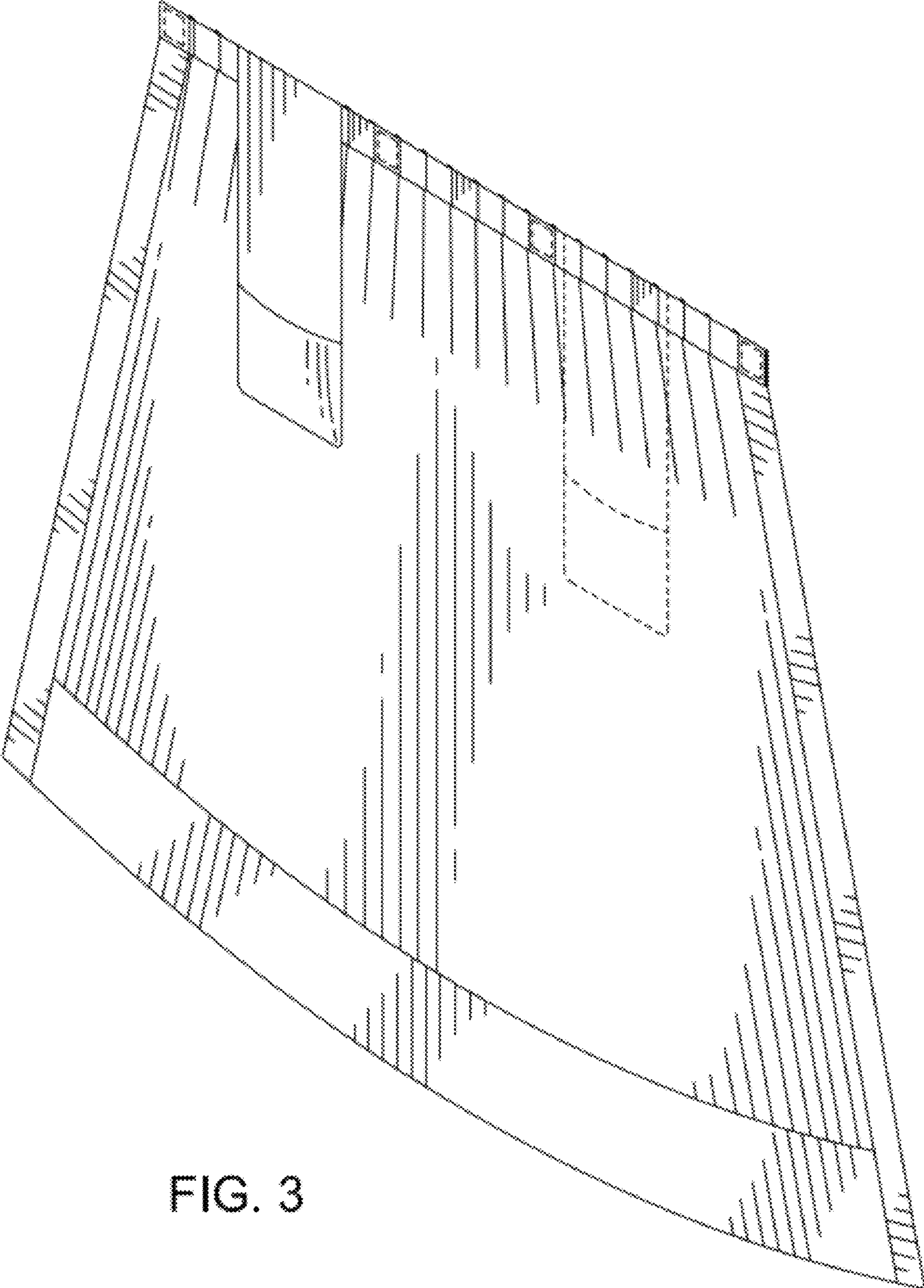


FIG. 3

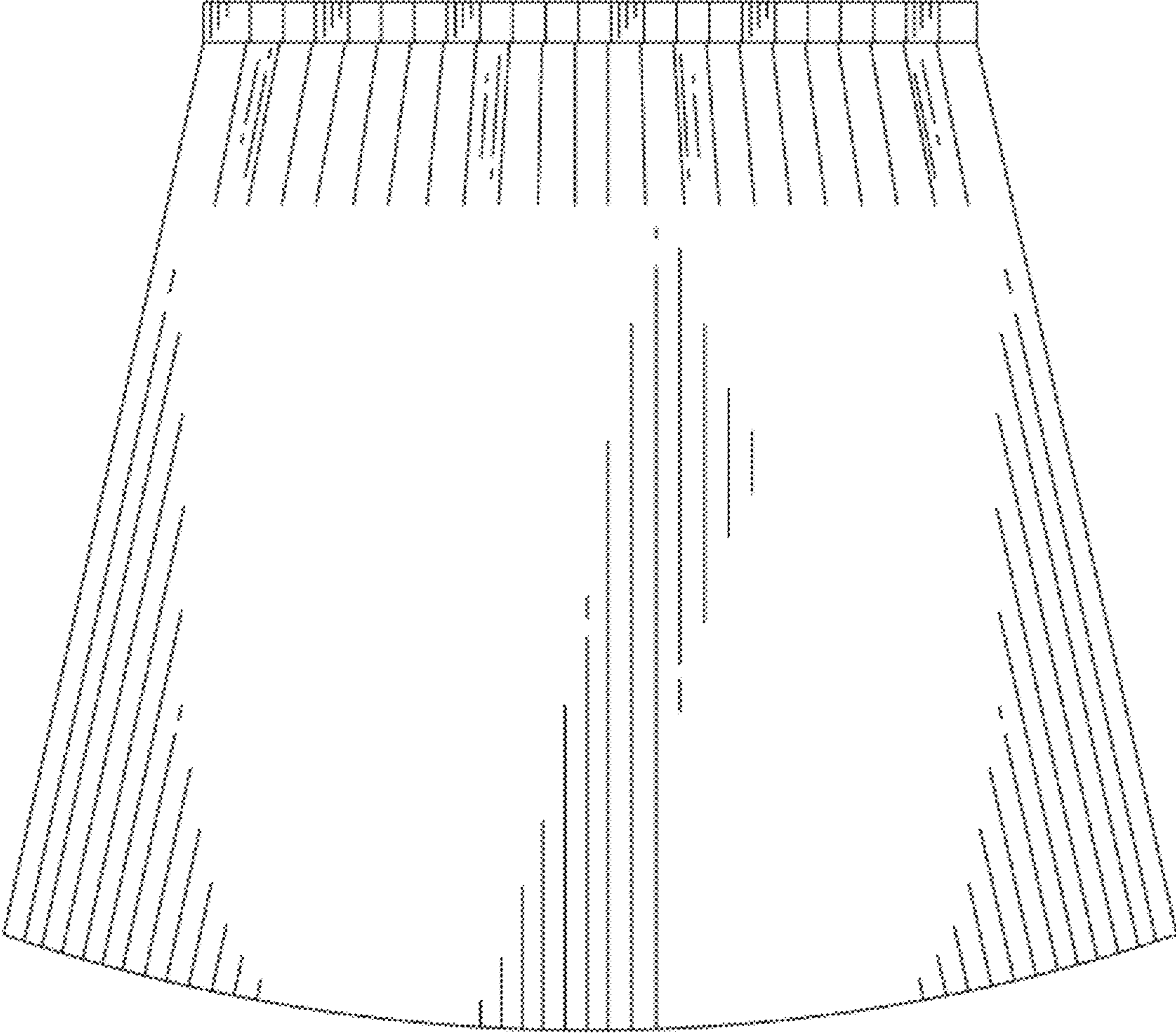


FIG. 4

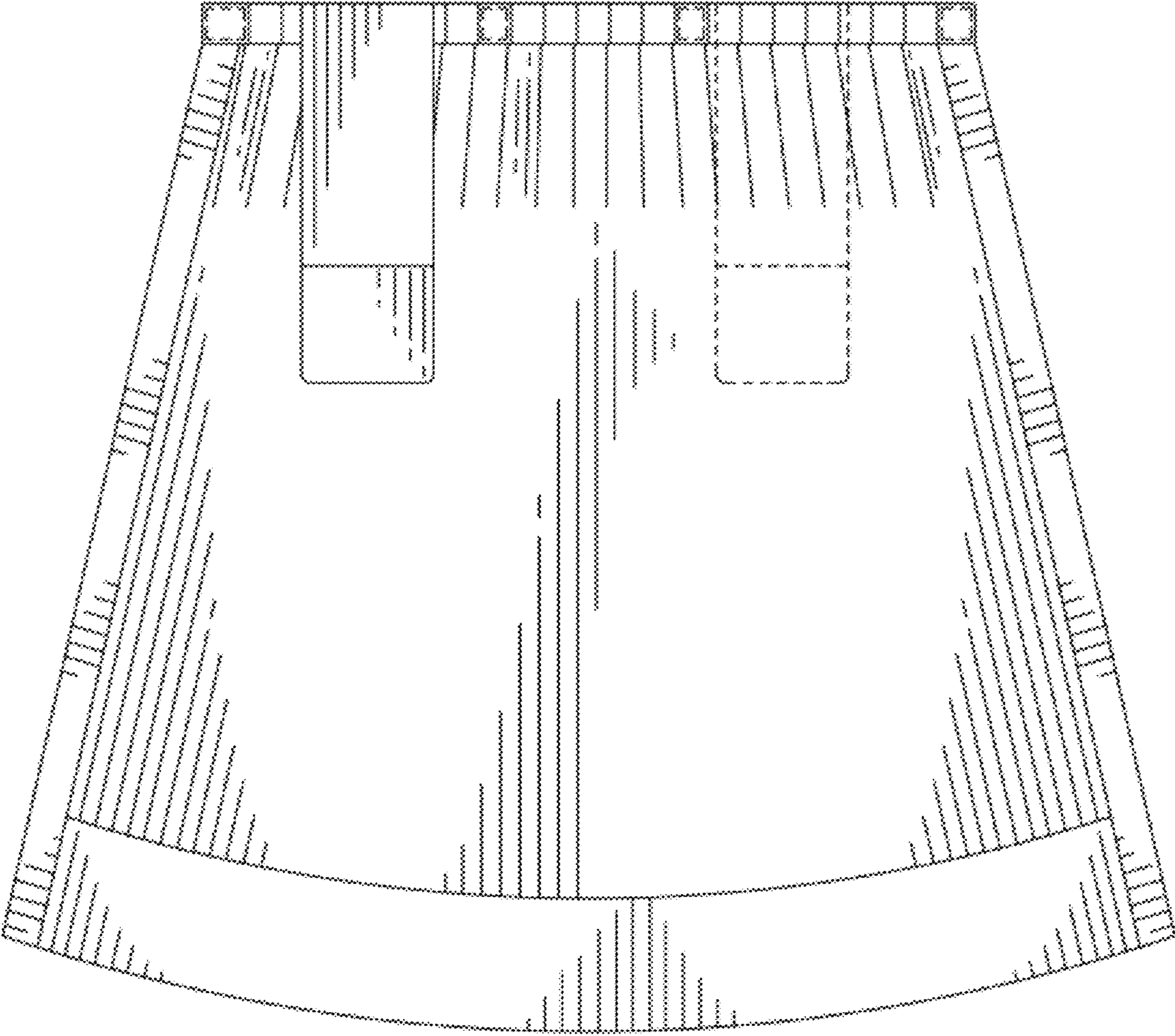


FIG. 5



FIG. 6



FIG. 7



FIG. 8



FIG. 9



FIG. 10