



US00D672594S

(12) **United States Design Patent**
Kozak et al.

(10) **Patent No.:** **US D672,594 S**
(45) **Date of Patent:** **** Dec. 18, 2012**

- (54) **PRODUCT DISPLAY RACK**
- (75) Inventors: **Burton Kozak**, Chicago, IL (US); **Ira Kozak**, Riverwoods, IL (US)
- (73) Assignee: **Combined Products Co. #1 Inc**
- (**) Term: **14 Years**
- (21) Appl. No.: **29/422,214**
- (22) Filed: **May 17, 2012**

- D533,002 S * 12/2006 Recknagel et al. D6/566
- D533,745 S * 12/2006 Rodrigue D6/566
- D547,138 S * 7/2007 Goodman et al. D6/566
- D547,955 S * 8/2007 Johnson et al. D6/566

* cited by examiner

Primary Examiner — Brian N Vinson

(74) *Attorney, Agent, or Firm* — Factor Intellectual Property Law Group

(57) **CLAIM**

The ornamental design of a product display rack, as shown.

Related U.S. Application Data

- (62) Division of application No. 29/405,733, filed on Nov. 4, 2011, now Pat. No. Des. 661,935, which is a division of application No. 29/365,676, filed on Jul. 13, 2010, now Pat. No. Des. 651,031.
- (51) **LOC (9) Cl.** **06-04**
- (52) **U.S. Cl.** **D6/566; D6/560**
- (58) **Field of Classification Search** D6/512–514, D6/566, 553, 567, 569, 315, 320, 327, 560; D8/349, 354, 367, 372; 248/301–304, 309.1, 248/309.2; 211/13.1, 30, 32, 70.6, 56.01, 211/87.01, 181.1
See application file for complete search history.

DESCRIPTION

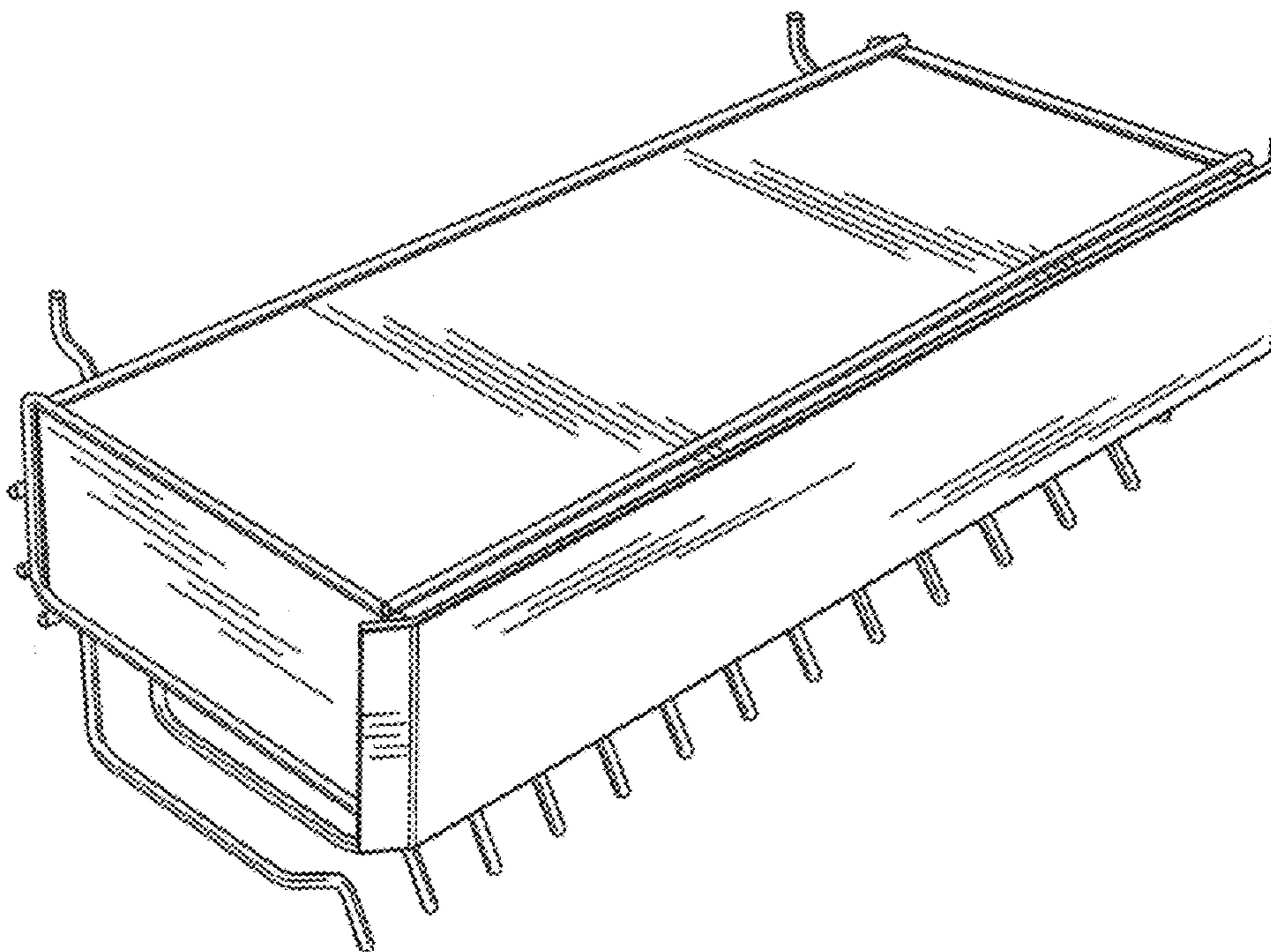
FIG. 1 is a front isometric view of an embodiment of a product display rack with a drawer in a closed position;
 FIG. 2 is a side elevation view of the right side (when viewed from the front) of the product display rack of FIG. 1;
 FIG. 3 is a front elevation view of the product display rack of FIG. 1;
 FIG. 4 is back elevation view of the product display rack of FIG. 1;
 FIG. 5 is a top plan view of the product display rack of FIG. 1;
 FIG. 6 is a bottom plan view of the product display rack of FIG. 1;
 FIG. 7 is a front isometric view of the product display rack of FIG. 1 with the drawer in a partially open position; and,
 FIG. 8 is a front isometric view of the product display rack of FIG. 1 with the drawer removed.

(56) **References Cited**

U.S. PATENT DOCUMENTS

- D418,349 S * 1/2000 Schumacher D6/566
- D457,014 S * 5/2002 Miller D6/566
- D462,220 S * 9/2002 Battaglia et al. D6/566

1 Claim, 8 Drawing Sheets



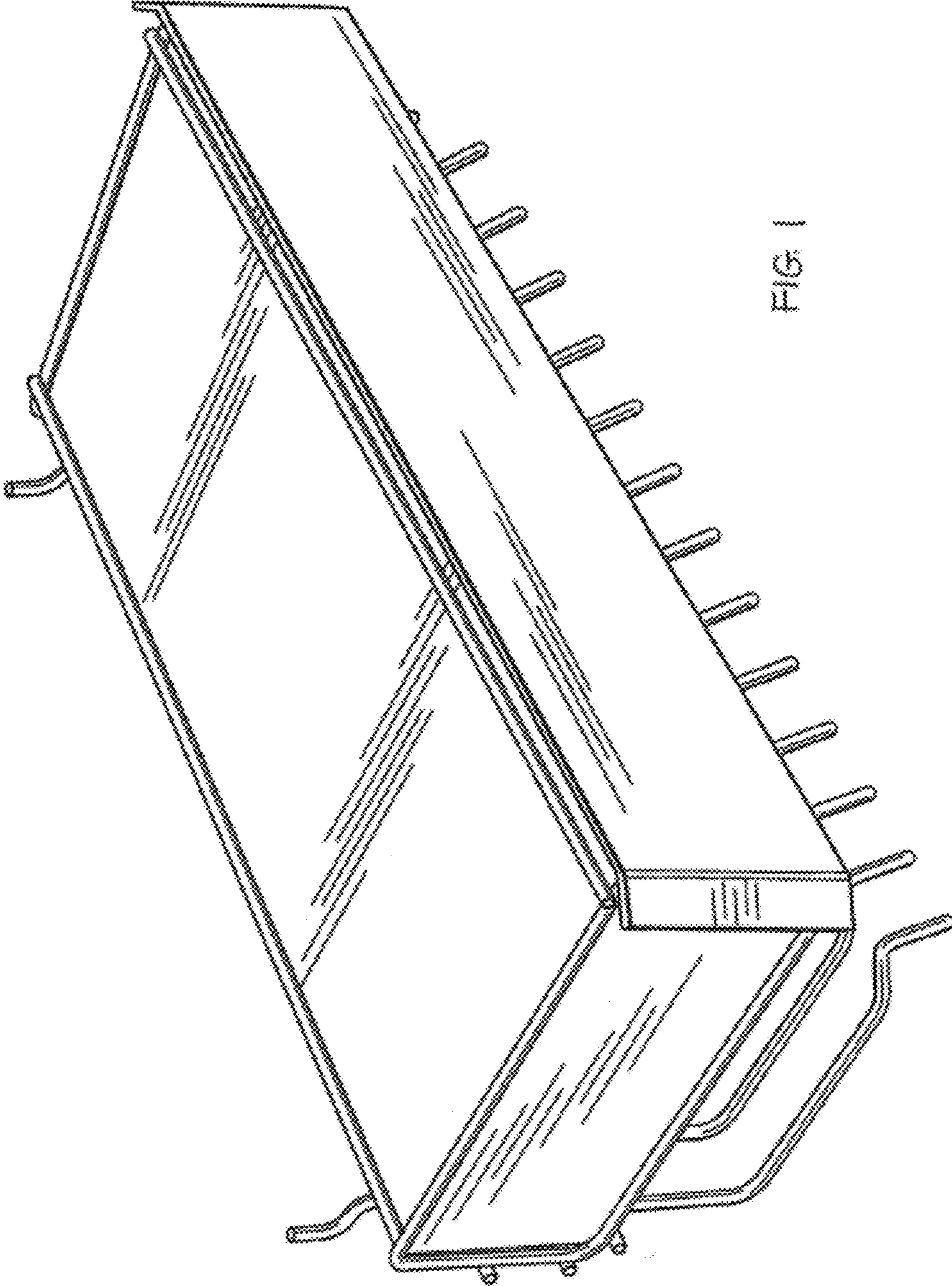


FIG. 1

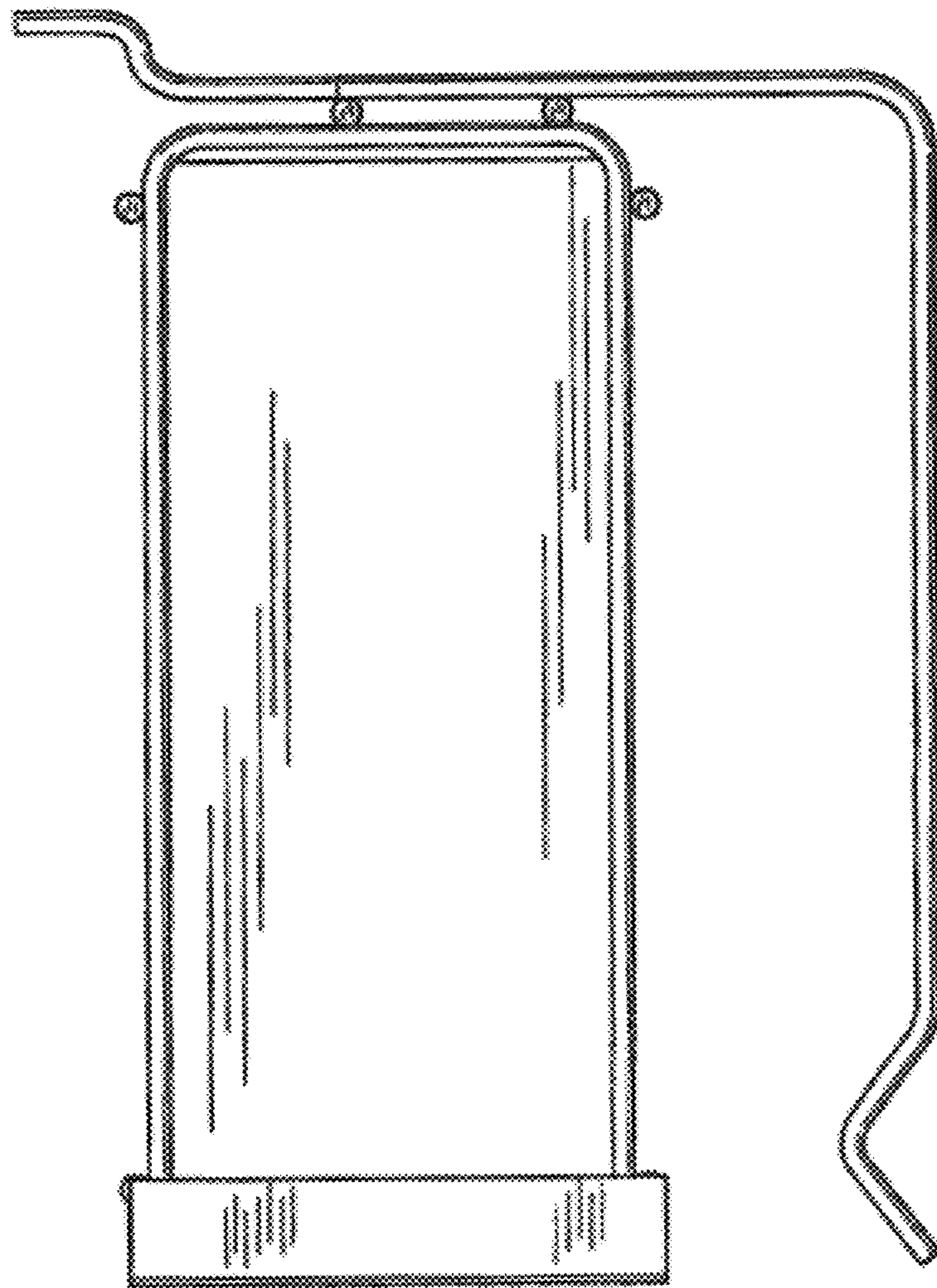


FIG. 2



FIG. 3

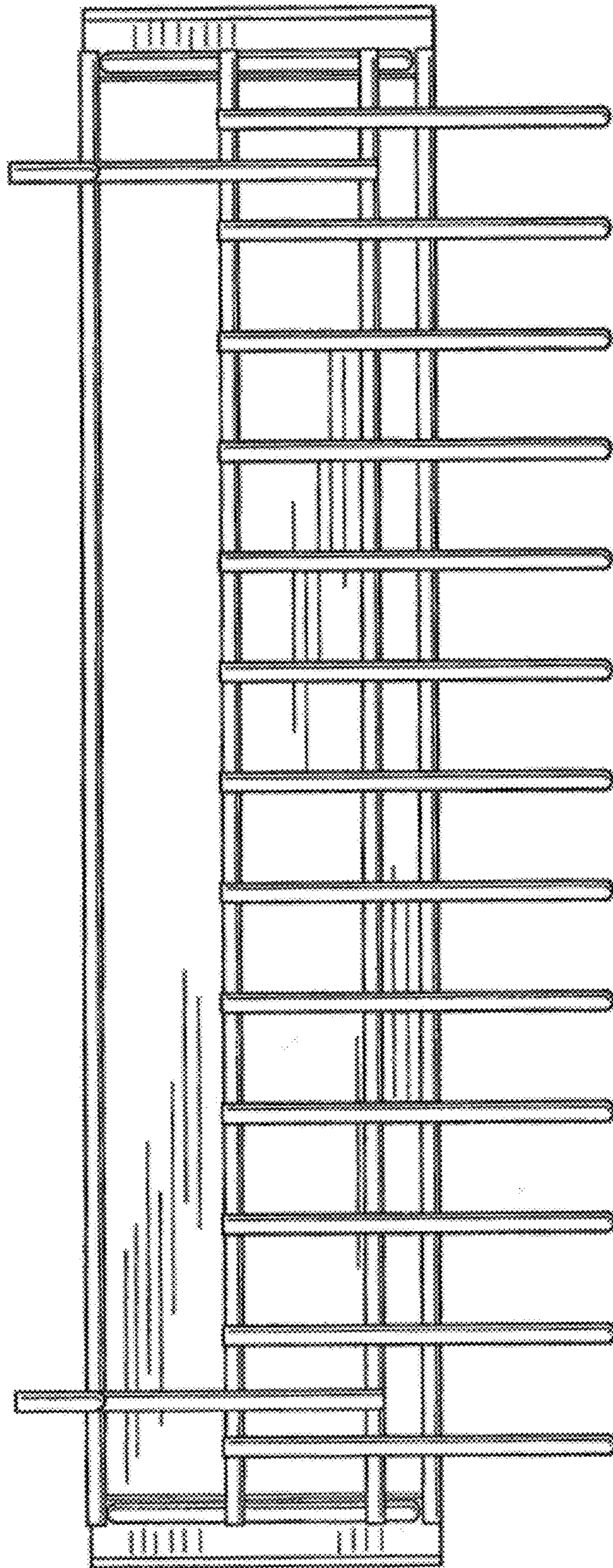


FIG. 4

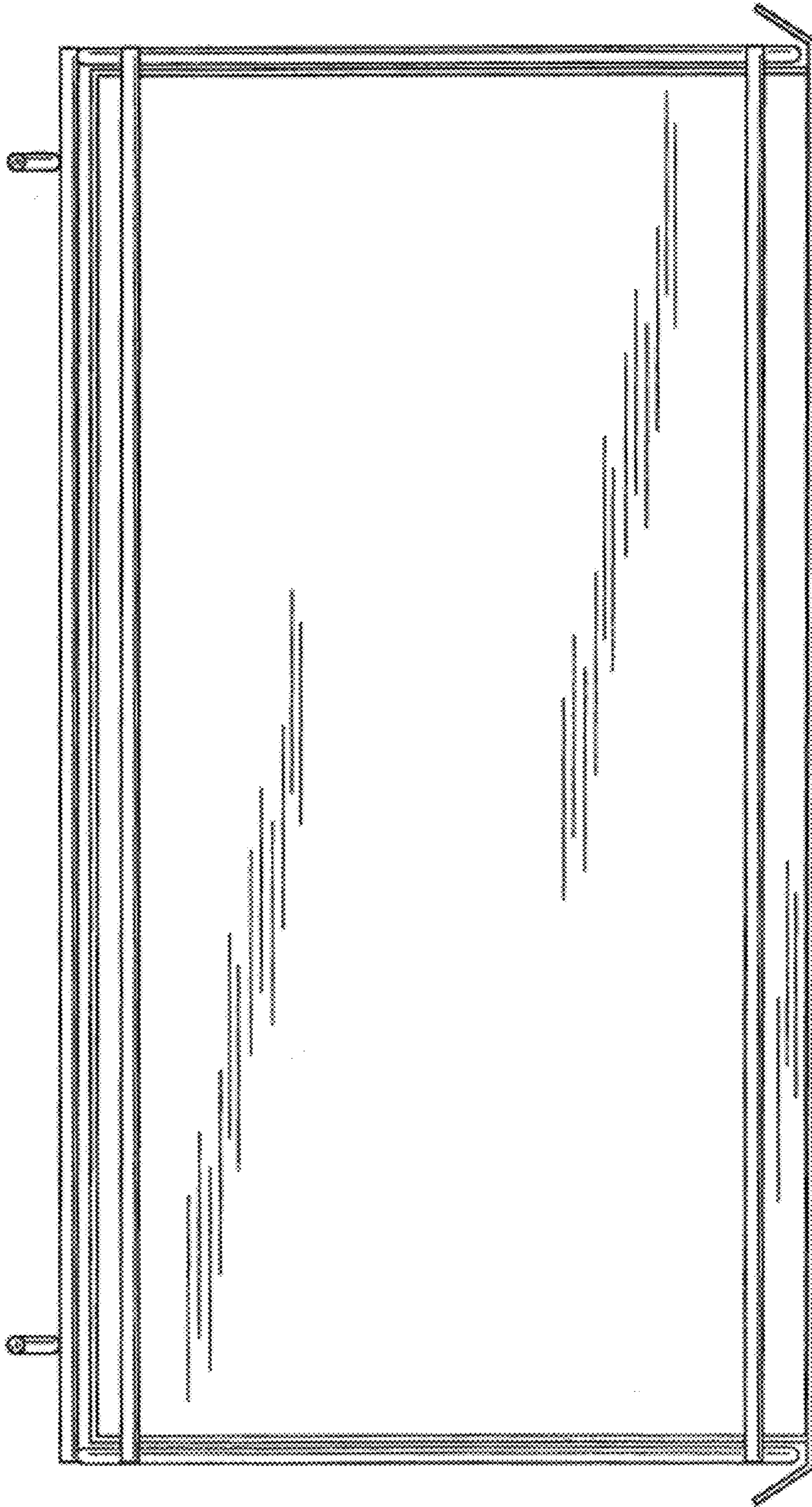


FIG. 5

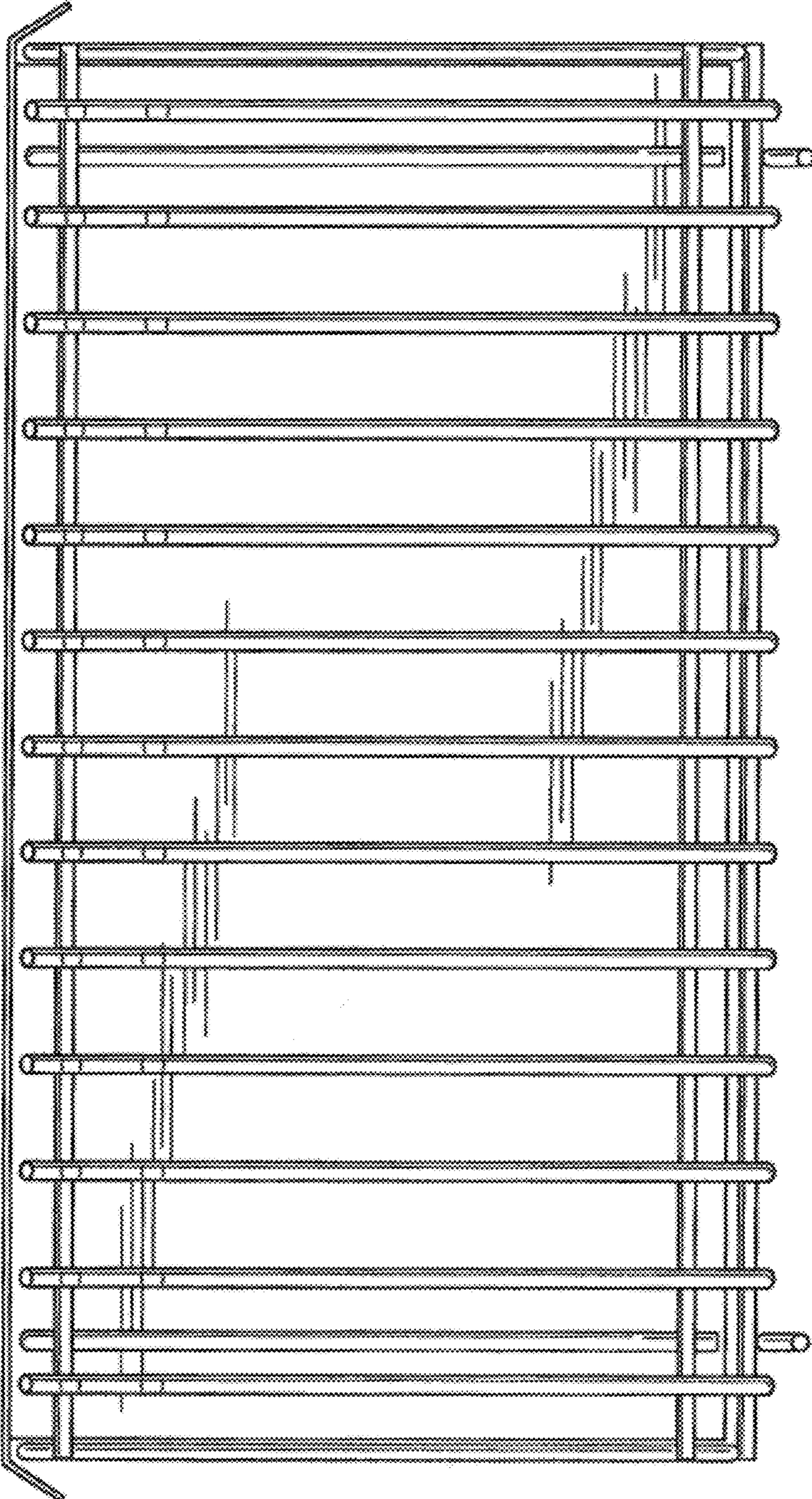


FIG. 6

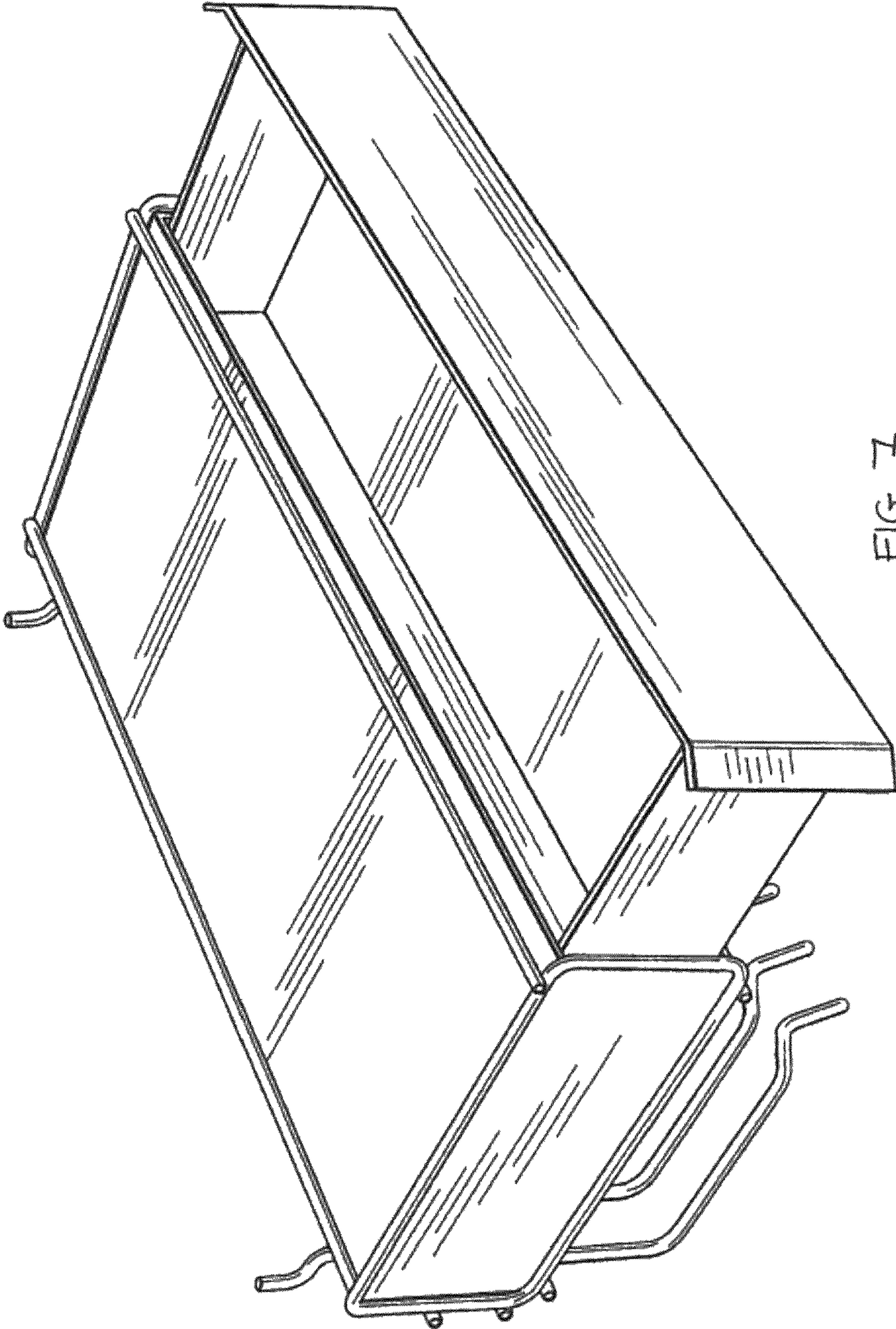


FIG. 7

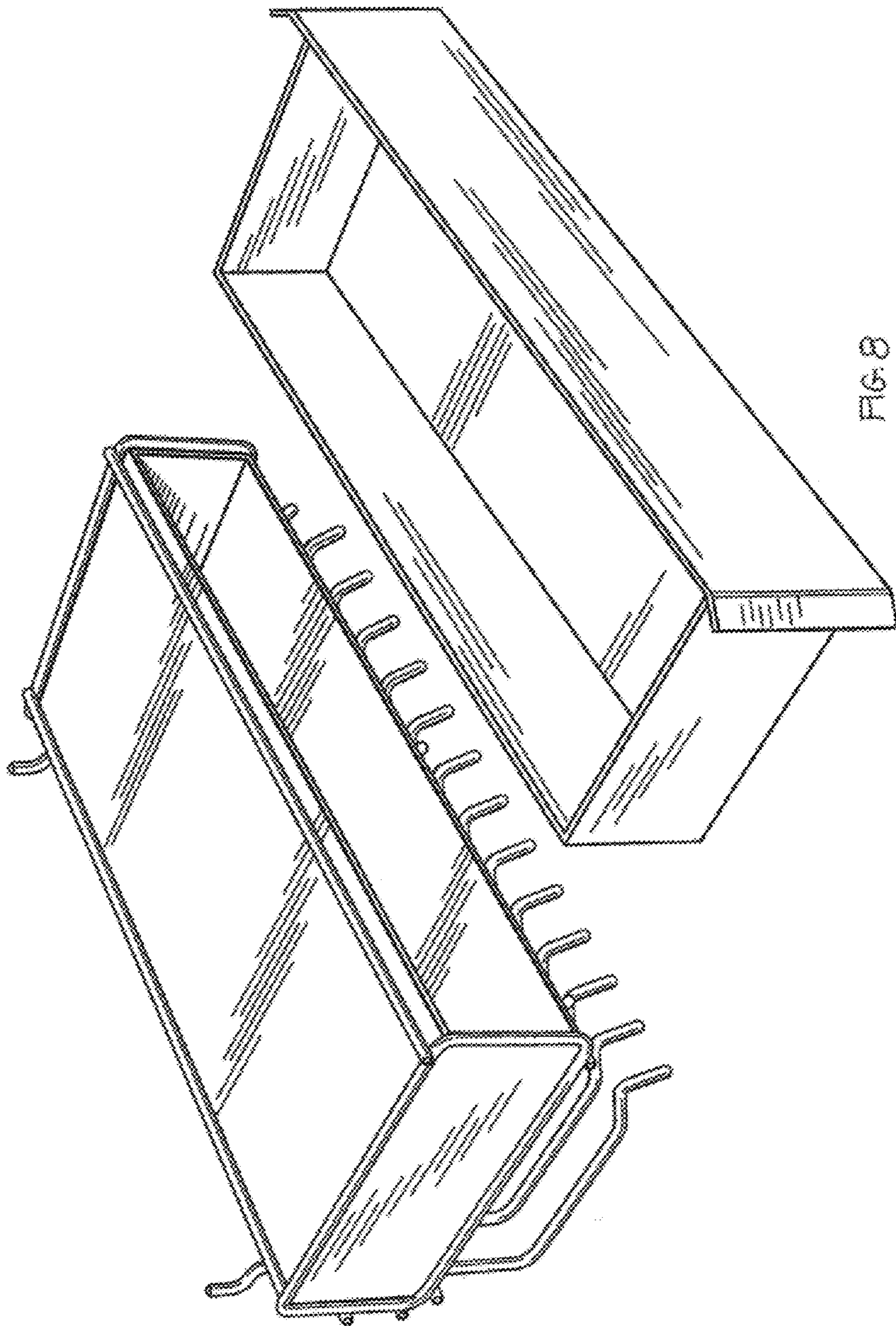


FIG 8