



US00D672593S

(12) **United States Design Patent**  
**van der Heijden**

(10) **Patent No.:** **US D672,593 S**  
(45) **Date of Patent:** **\*\* Dec. 18, 2012**

- (54) **FLUID DISPENSER**
- (75) Inventor: **Lambertus van der Heijden**, Bunnik (NL)
- (73) Assignee: **Diversey, Inc.**, Sturtevant, WI (US)
- (\*\*) Term: **14 Years**
- (21) Appl. No.: **29/384,269**
- (22) Filed: **Jan. 28, 2011**

D448,958 S *	10/2001	Gross .....	D6/545
D530,123 S *	10/2006	Ophardt et al. ....	D6/545
D563,133 S *	3/2008	Kramer .....	D6/545
D568,660 S *	5/2008	Hodgson et al. ....	D6/545
D569,669 S *	5/2008	Nichols et al. ....	D6/545
D579,250 S *	10/2008	Cittadino et al. ....	D6/545

**FOREIGN PATENT DOCUMENTS**

WO 01/28397 4/2001

\* cited by examiner

*Primary Examiner* — Brian N Vinson

(74) *Attorney, Agent, or Firm* — Gregory S. Bollis

**Related U.S. Application Data**

- (60) Continuation of application No. 29/368,572, filed on Aug. 25, 2010, now Pat. No. Des. 632,909, which is a division of application No. 29/359,112, filed on Apr. 6, 2010, now Pat. No. Des. 623,456, which is a division of application No. 29/336,642, filed on May 6, 2009, now Pat. No. Des. 615,790.

- (51) **LOC (9) Cl.** ..... **23-02**
- (52) **U.S. Cl.** ..... **D6/545**
- (58) **Field of Classification Search** ..... D6/542-545;  
221/208, 282, 283; 222/105, 173, 180, 181.1,  
222/181.2, 181.3  
See application file for complete search history.

(56) **References Cited**

**U.S. PATENT DOCUMENTS**

4,905,873 A *	3/1990	Loesel et al. ....	D6/545
D393,975 S *	5/1998	Bunschoten et al. ....	D6/545
D414,363 S *	9/1999	Daansen .....	D6/545

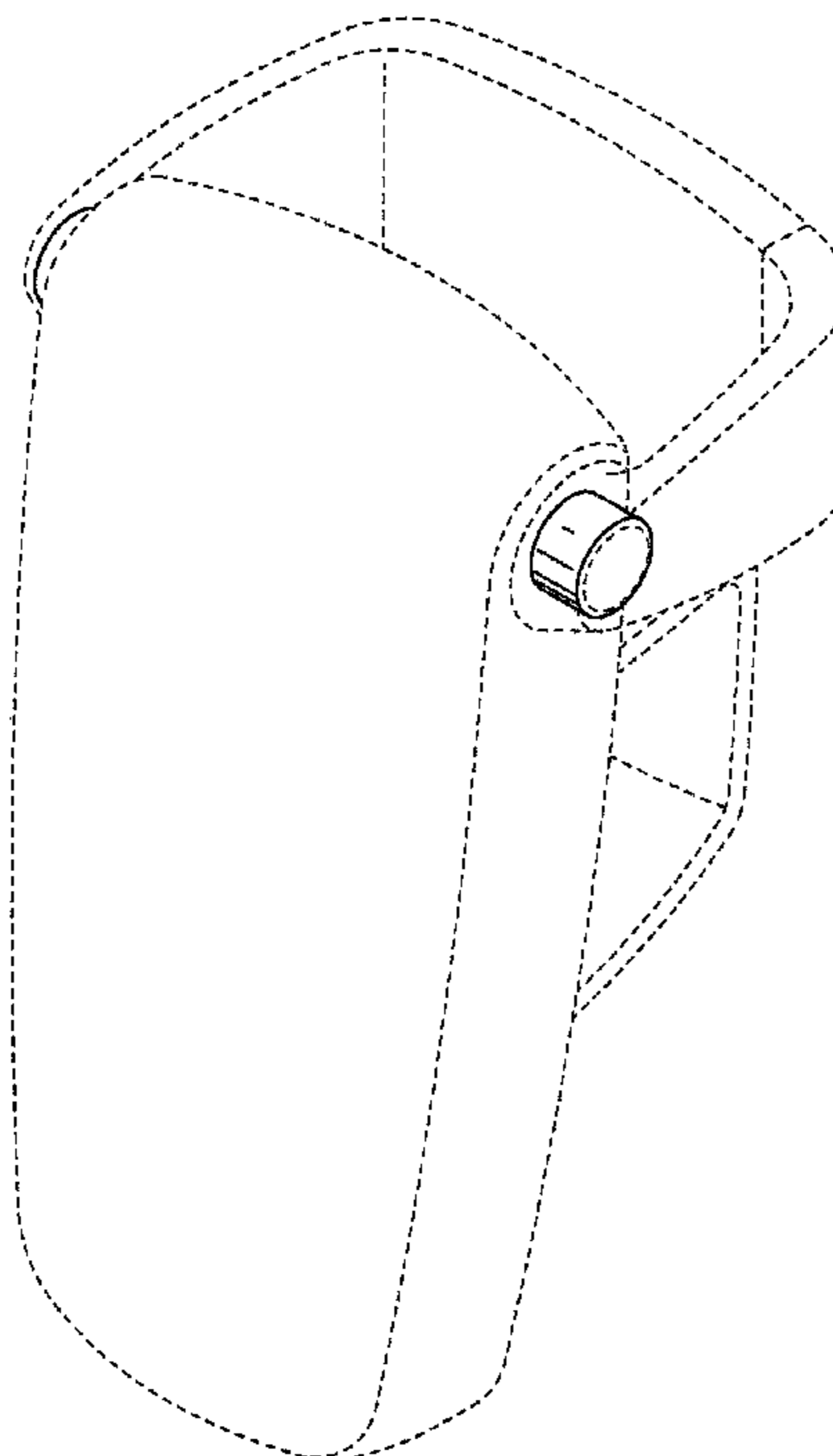
(57) **CLAIM**

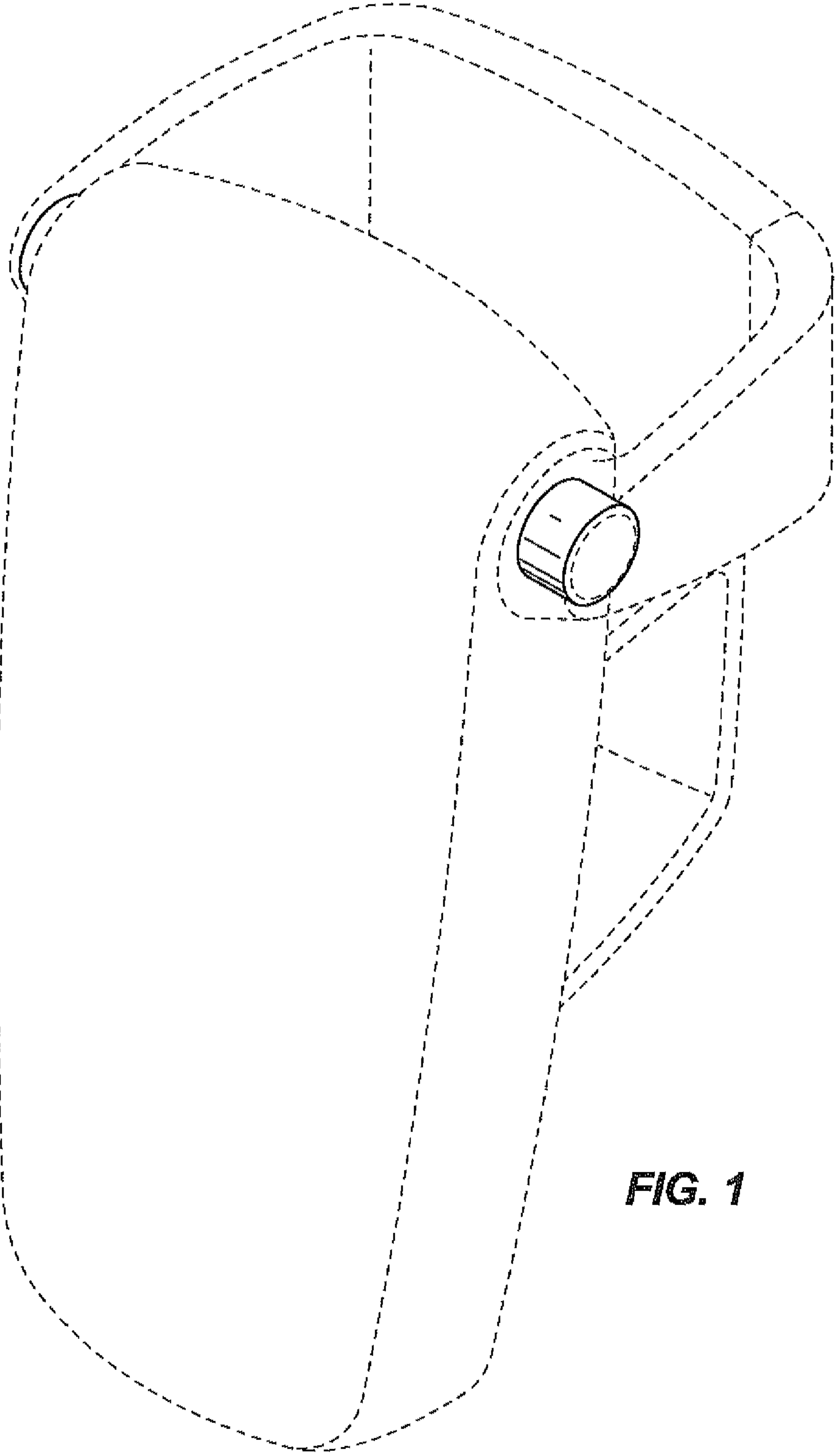
The ornamental design for a fluid dispenser, as shown and described.

**DESCRIPTION**

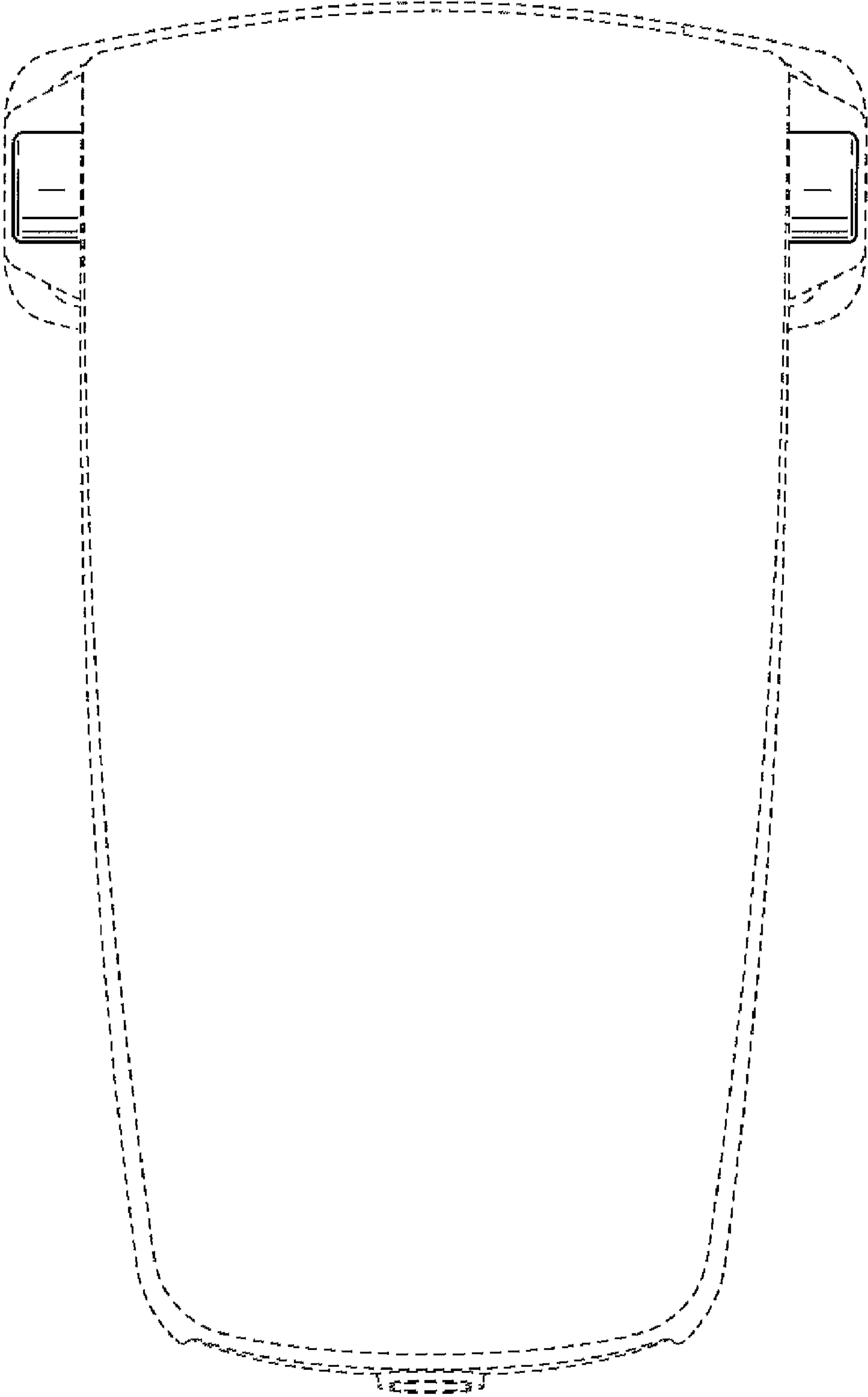
FIG. 1 is a perspective view of a fluid dispenser constructed in accordance with one embodiment of the present invention; FIG. 2 is a front view of the fluid dispenser shown in FIG. 1; FIG. 3 is a rear view of the fluid dispenser shown in FIGS. 1 and 2; FIG. 4 is a top view of the fluid dispenser shown in FIGS. 1-3; FIG. 5 is a bottom view of the fluid dispenser shown in FIGS. 1-4; FIG. 6 is a left side view of the fluid dispenser shown in FIGS. 1-5; and, FIG. 7 is a right side view of the fluid dispenser shown in FIGS. 1-6.

**1 Claim, 6 Drawing Sheets**

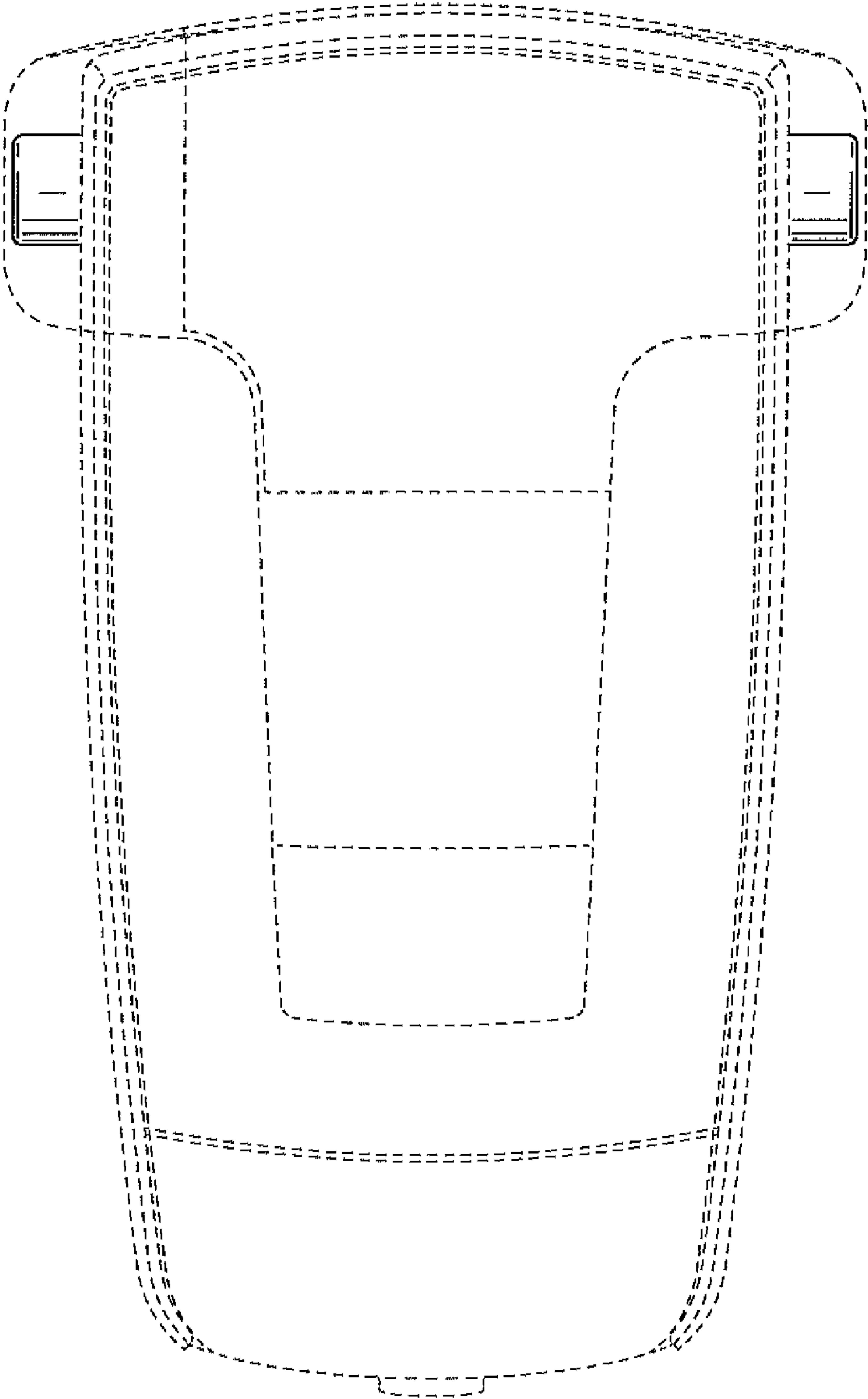




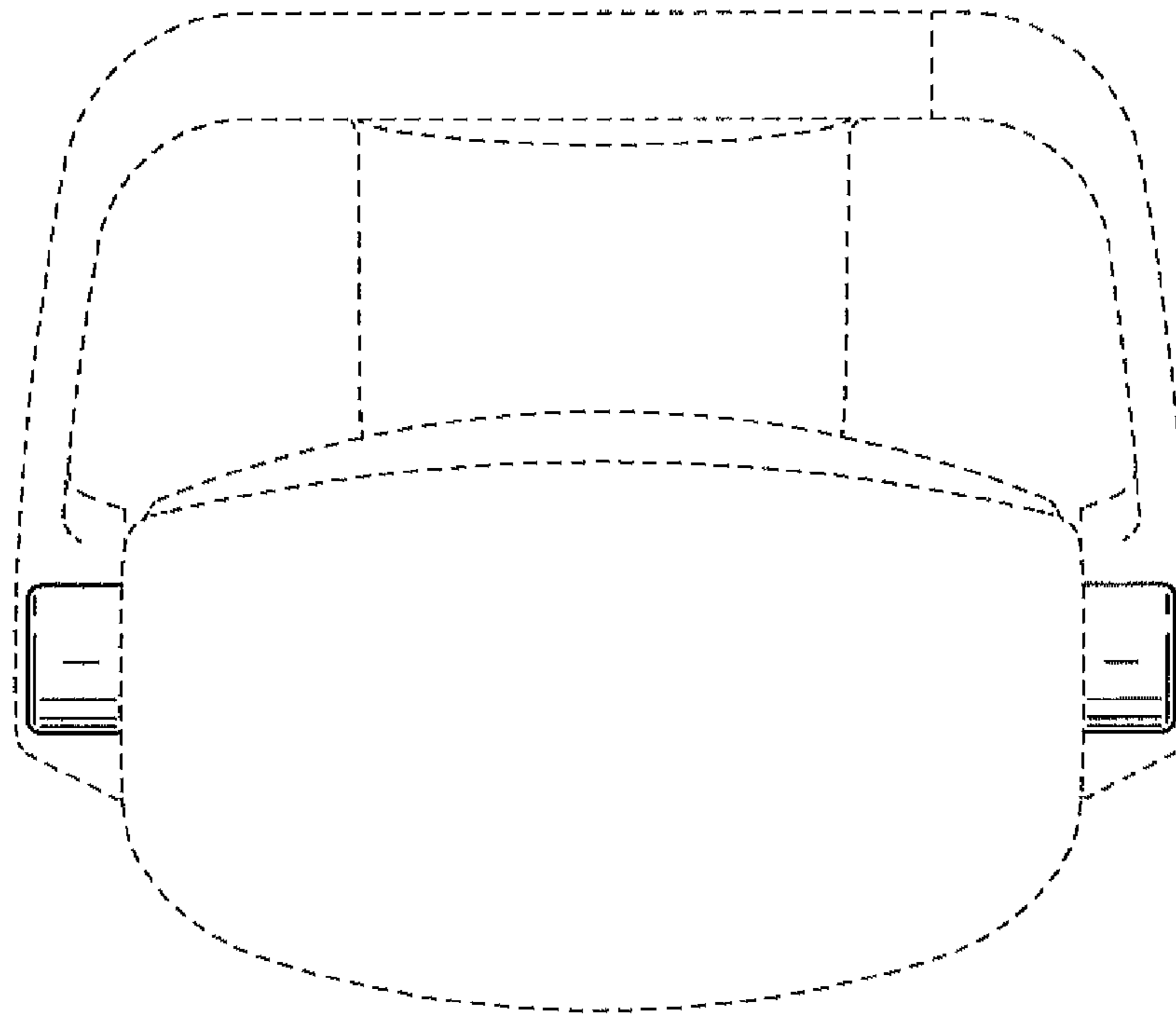
**FIG. 1**



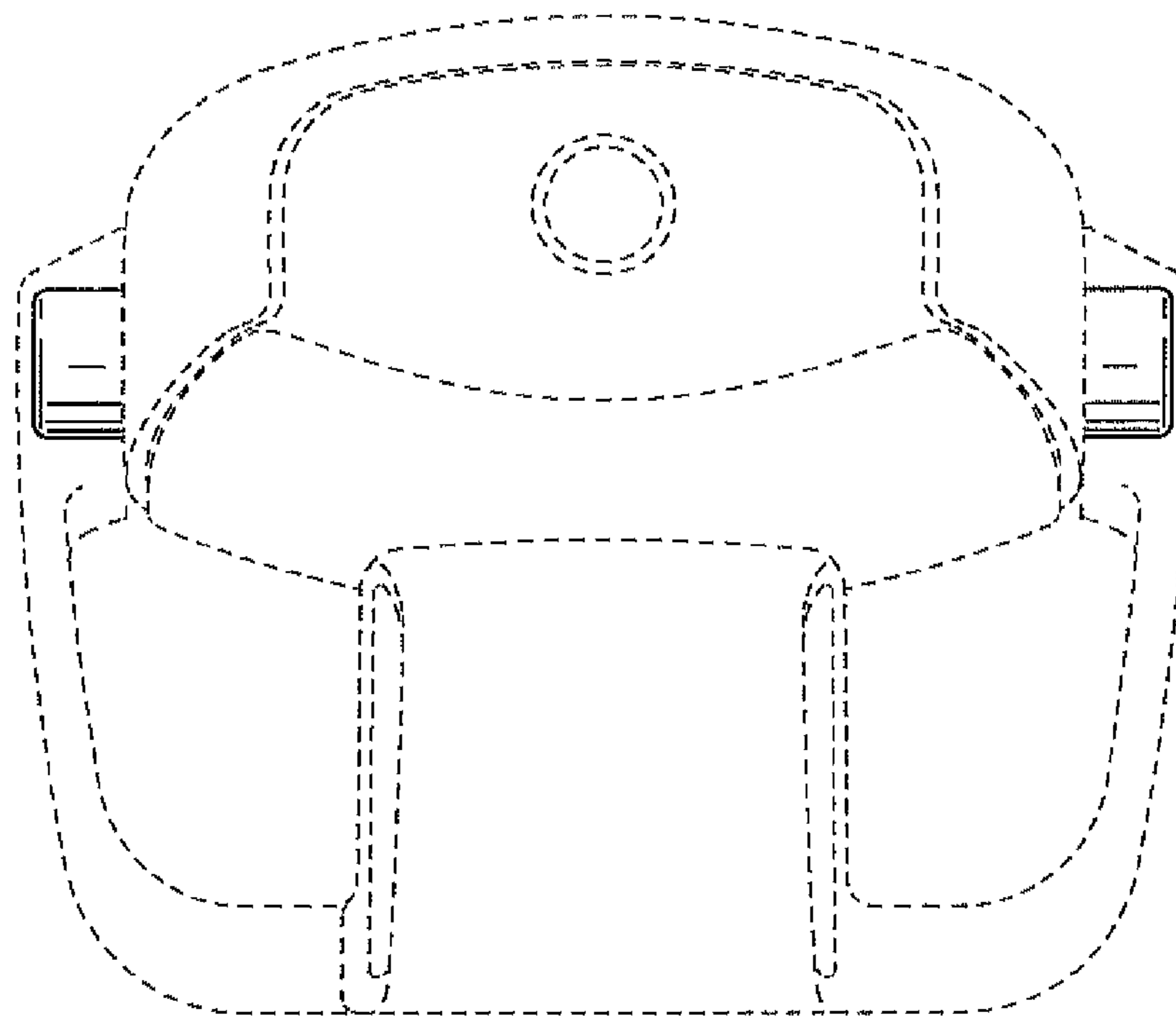
**FIG. 2**



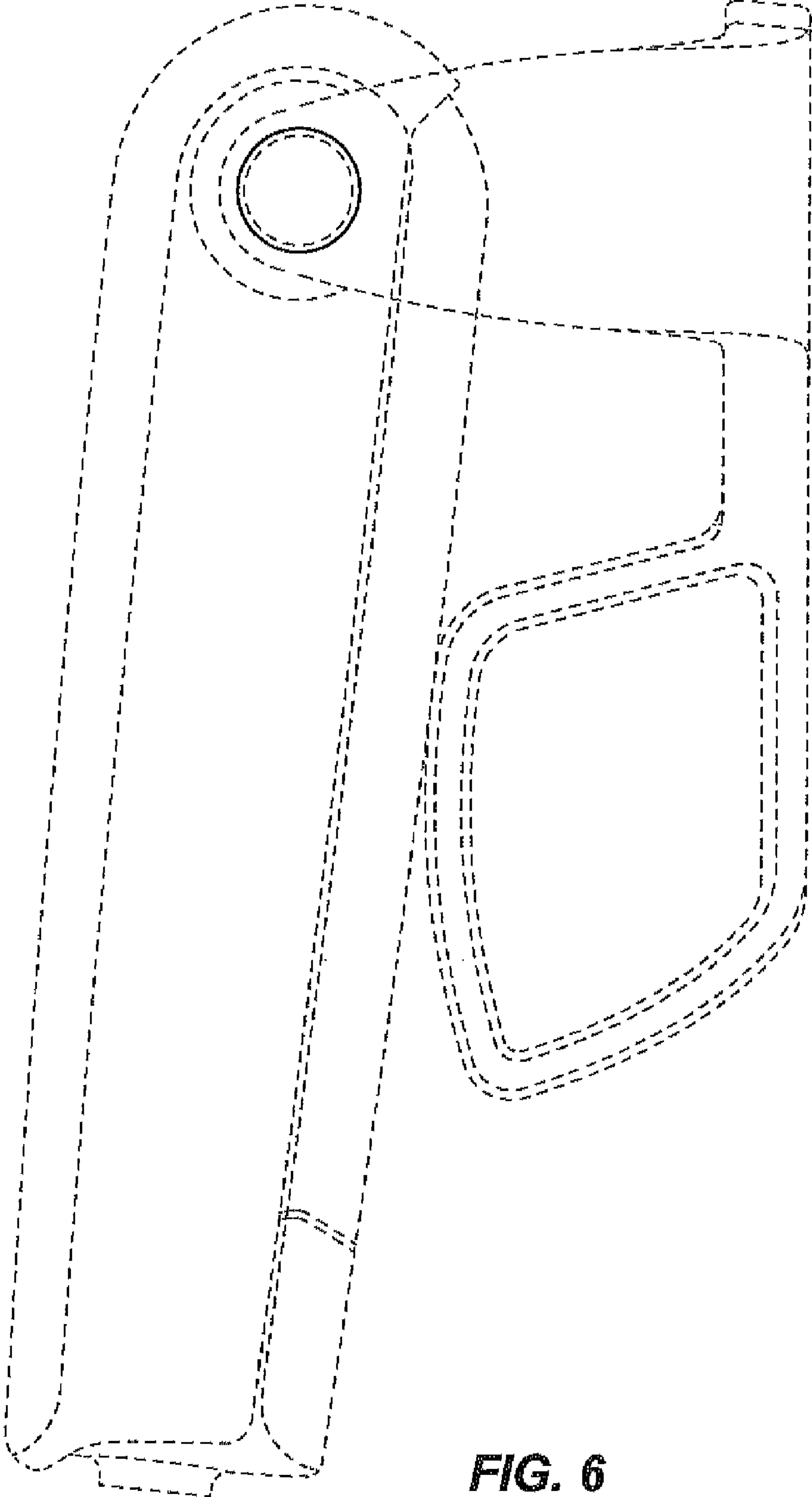
**FIG. 3**



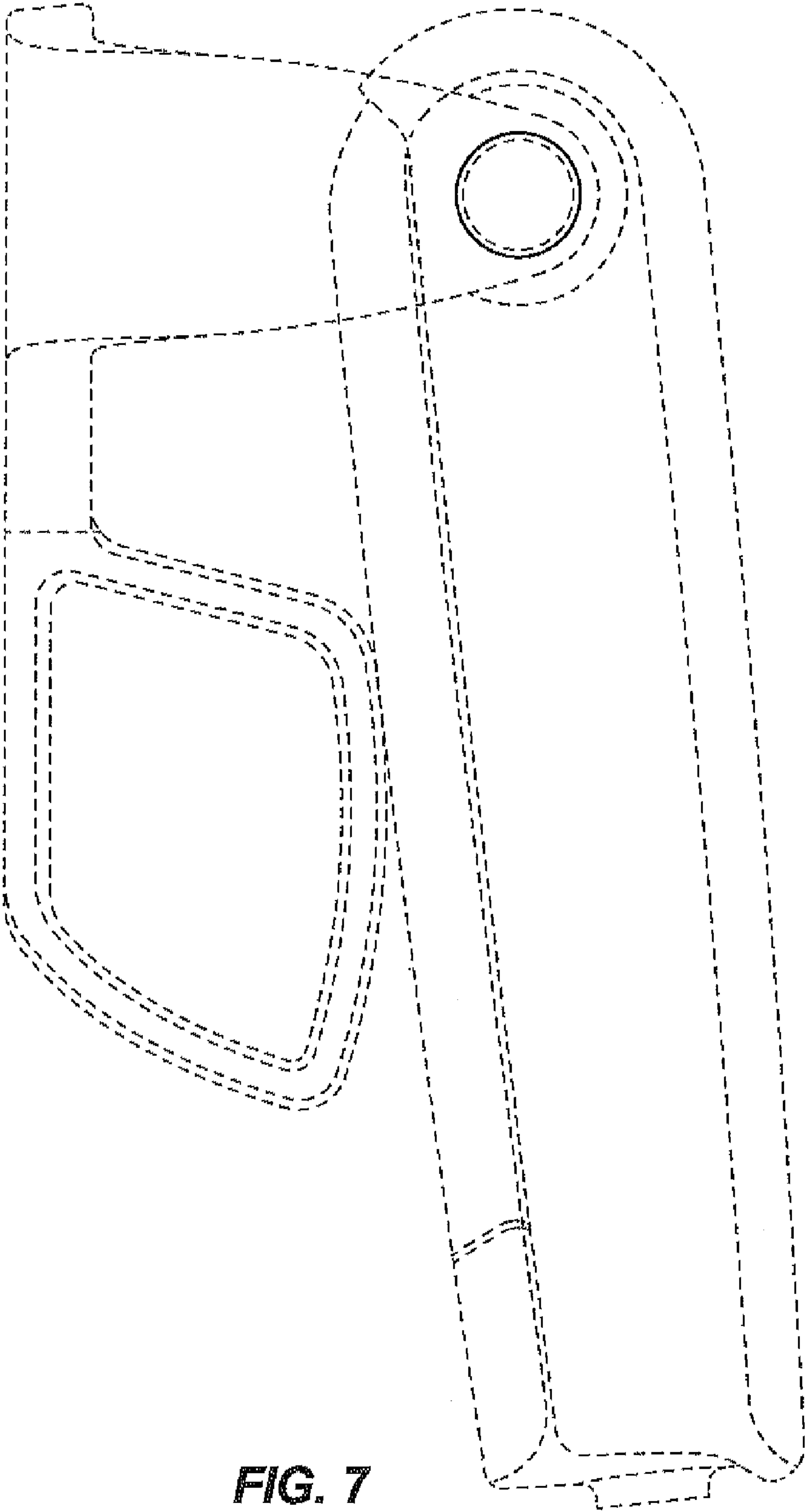
**FIG. 4**



**FIG. 5**



**FIG. 6**



**FIG. 7**

UNITED STATES PATENT AND TRADEMARK OFFICE  
**CERTIFICATE OF CORRECTION**

PATENT NO. : D672,593 S  
APPLICATION NO. : 29/384269  
DATED : December 18, 2012  
INVENTOR(S) : Lambertus van der Heijden

Page 1 of 1

It is certified that error appears in the above-identified patent and that said Letters Patent is hereby corrected as shown below:

On the Title page, Item (57) at the DESCRIPTION FIG. 5, replace [Figs. 1 4] with --Figs. 1-4--

Signed and Sealed this  
Twenty-eighth Day of May, 2013



Teresa Stanek Rea  
*Acting Director of the United States Patent and Trademark Office*