



US00D672592S

(12) **United States Design Patent**
Legreca et al.

(10) **Patent No.:** **US D672,592 S**
(45) **Date of Patent:** **** Dec. 18, 2012**

(54) **WOOD AND CERAMIC TOOTHBRUSH
HOLDER**

(75) Inventors: **Carl Legreca**, Cliffside Park, NJ (US);
Lydia Irwin, New York, NY (US)

(73) Assignee: **Crosscill Home LLC**, New York, NY
(US)

(**) Term: **14 Years**

(21) Appl. No.: **29/406,302**

(22) Filed: **Nov. 11, 2011**

(51) **LOC (9) Cl.** **23-02**

(52) **U.S. Cl.** **D6/534; D6/528**

(58) **Field of Classification Search** D6/524,
D6/526, 527, 528, 534; 206/208, 228, 209,
206/209.1, 361, 362, 362.1, 362.2, 362.3;
211/13.1, 66, 70.6, 86.01, 87.01; D7/701,
D7/635, 637

See application file for complete search history.

(56) **References Cited**

U.S. PATENT DOCUMENTS

D481,572 S	*	11/2003	Dretzka	D6/534
D608,577 S	*	1/2010	Racanelli	D6/534
D634,140 S	*	3/2011	Camacho-Pantoja	D6/534
D648,162 S	*	11/2011	Michnuk	D6/534
D648,165 S	*	11/2011	Michnuk	D6/534
D661,147 S	*	6/2012	Tran	D6/534

* cited by examiner

Primary Examiner — Brian N Vinson

(74) *Attorney, Agent, or Firm* — Buchanan Ingersoll &
Rooney PC

(57) **CLAIM**

The ornamental design for a wood and ceramic toothbrush holder, as shown and described.

DESCRIPTION

FIG. 1 is a top, front, and right side perspective view of a wood and ceramic toothbrush holder showing our new design;

FIG. 2 is a top perspective view of the ceramic frame portion of the thereof, the wood insert portion being omitted for clarity of illustration;

FIG. 3 is a top plan view thereof;

FIG. 4 is a front elevational view thereof, with the rear elevational view being a mirror image of that shown;

FIG. 5 is a left side elevational view thereof, with the right side elevational view being a mirror image of that shown.

FIG. 6 is a bottom plan view thereof;

FIG. 7 is a top plan view of the ceramic frame portion thereof;

FIG. 8 is a front elevational view of the ceramic frame portion thereof, with the rear elevational view being a mirror image of that shown;

FIG. 9 is a top, front, and right side perspective view of the wood insert portion thereof with the ceramic frame portion omitted for clarity of illustration;

FIG. 10 is a top plan view of the wood insert portion thereof;

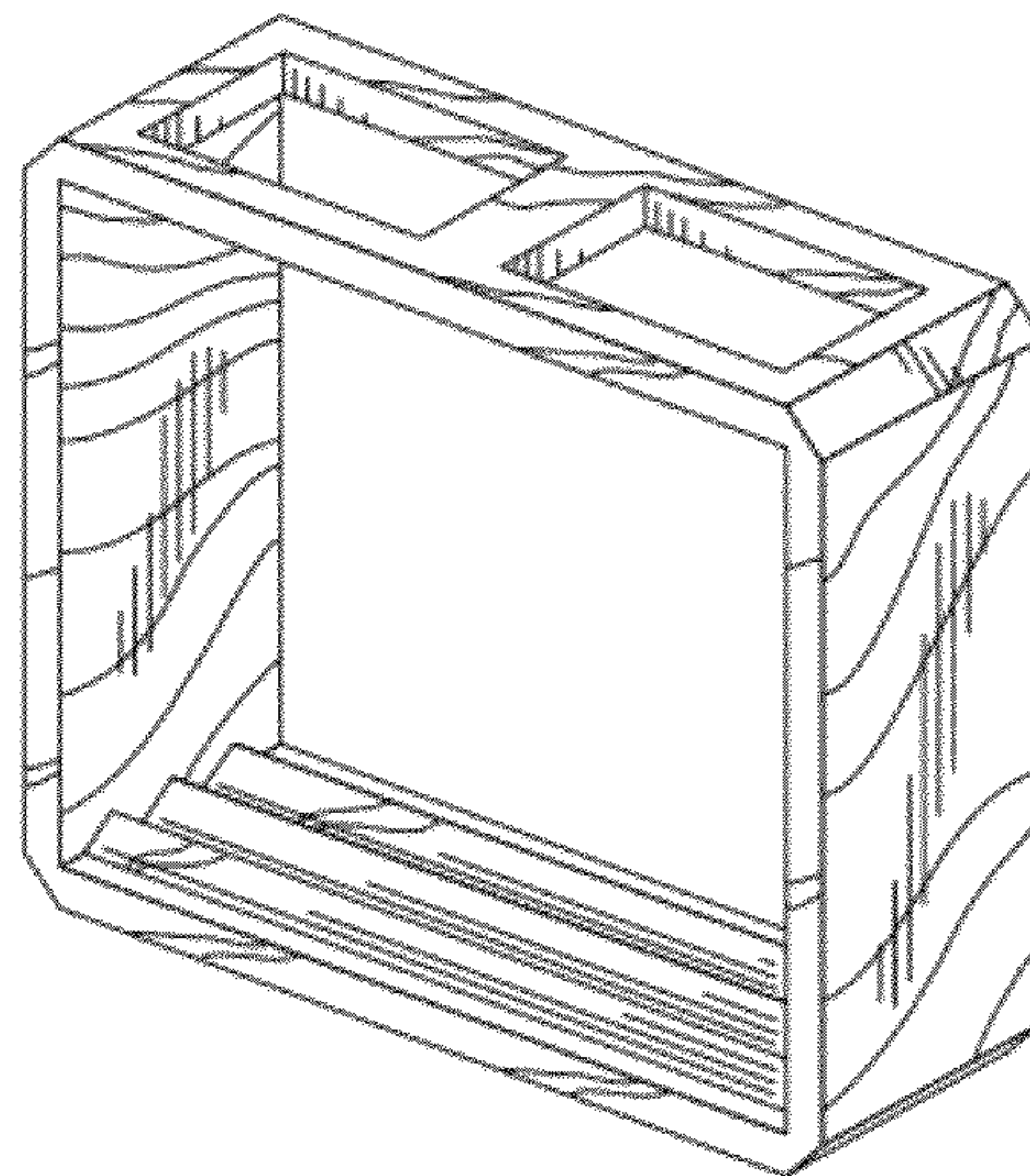
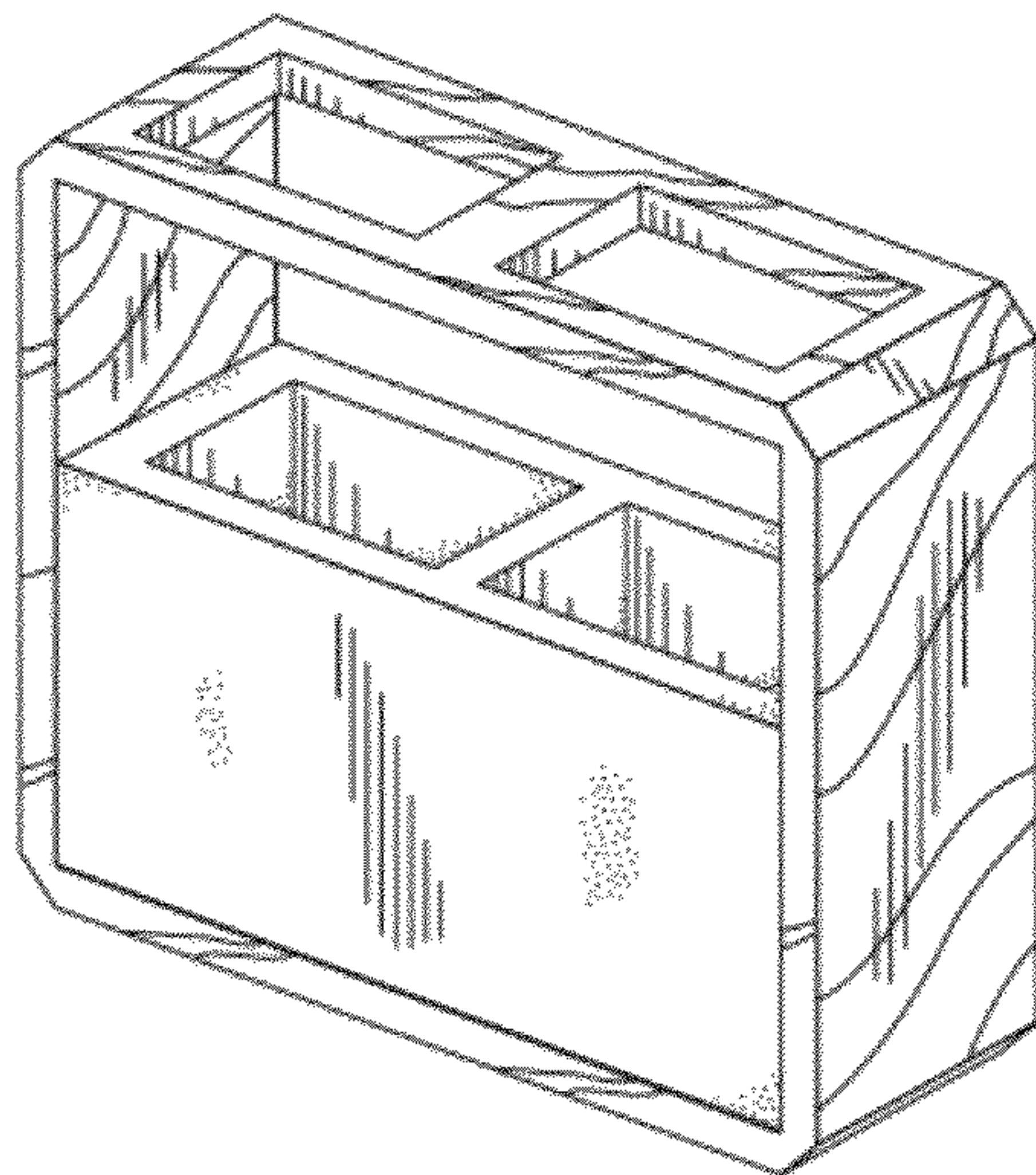
FIG. 11 is a vertical cross-sectional view of the wood insert portion thereof, taken along line 11-11 of FIG. 10;

FIG. 12 is a bottom plan view of the wood insert portion thereof;

FIG. 13 is a left side elevational view of the wood insert portion thereof, with the right side view being a mirror image of that shown; and,

FIG. 14 is a vertical cross-sectional view thereof, taken along line 14-14 of FIG. 4.

1 Claim, 4 Drawing Sheets



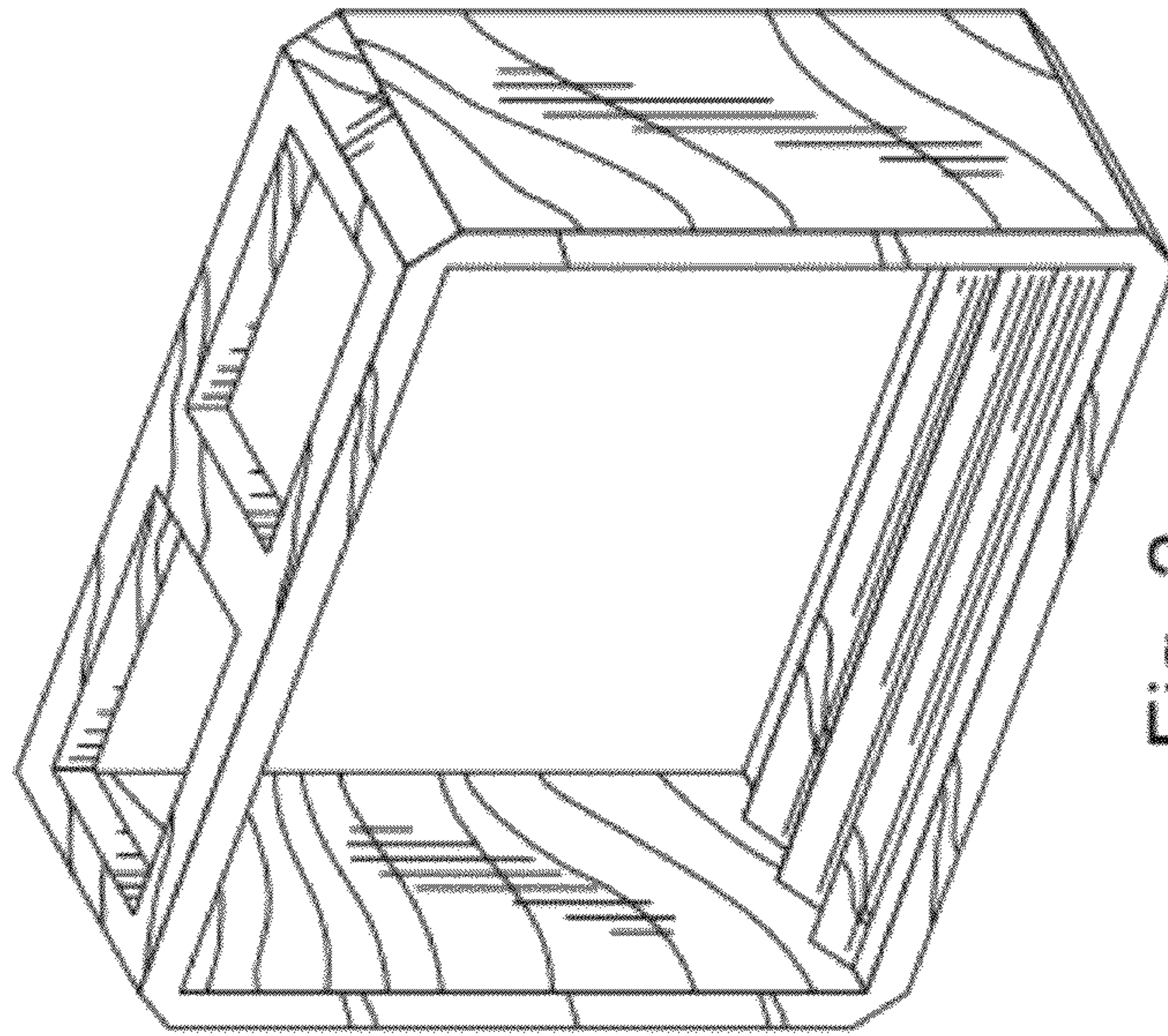


Fig. 2

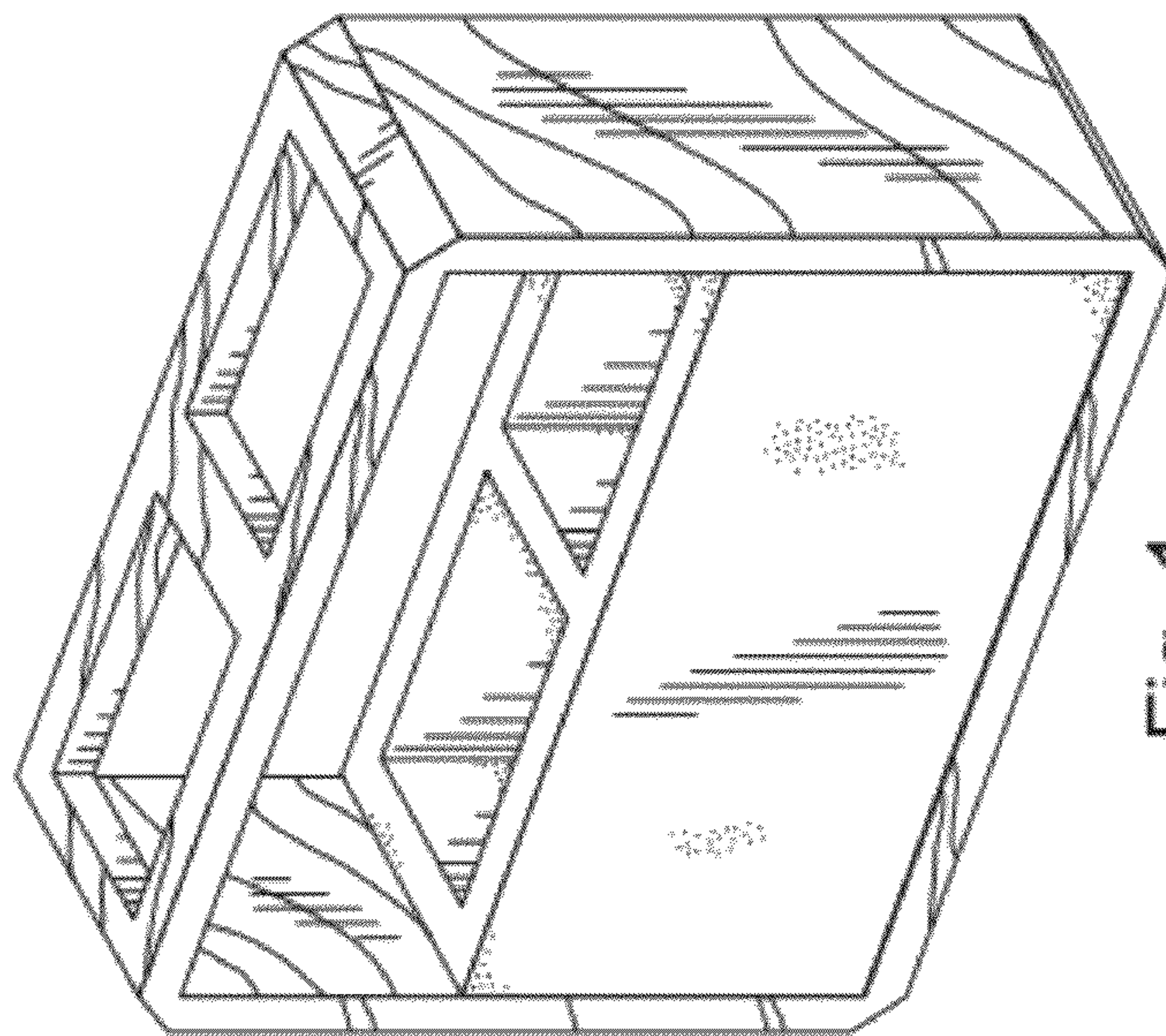


Fig. 1



Fig. 5



Fig. 6

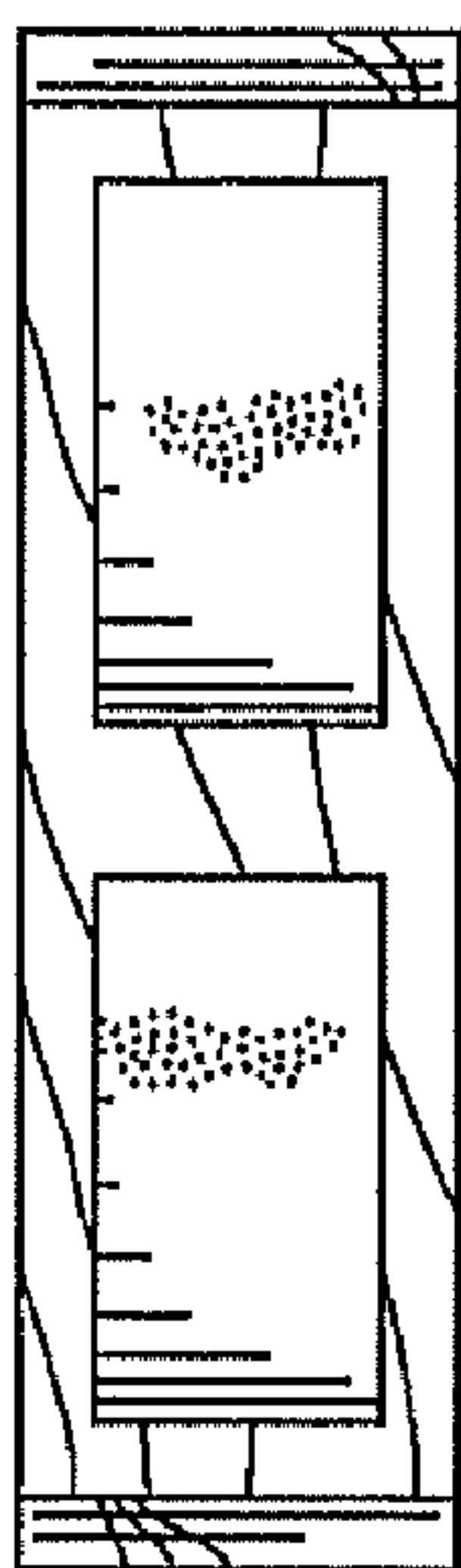


Fig. 3

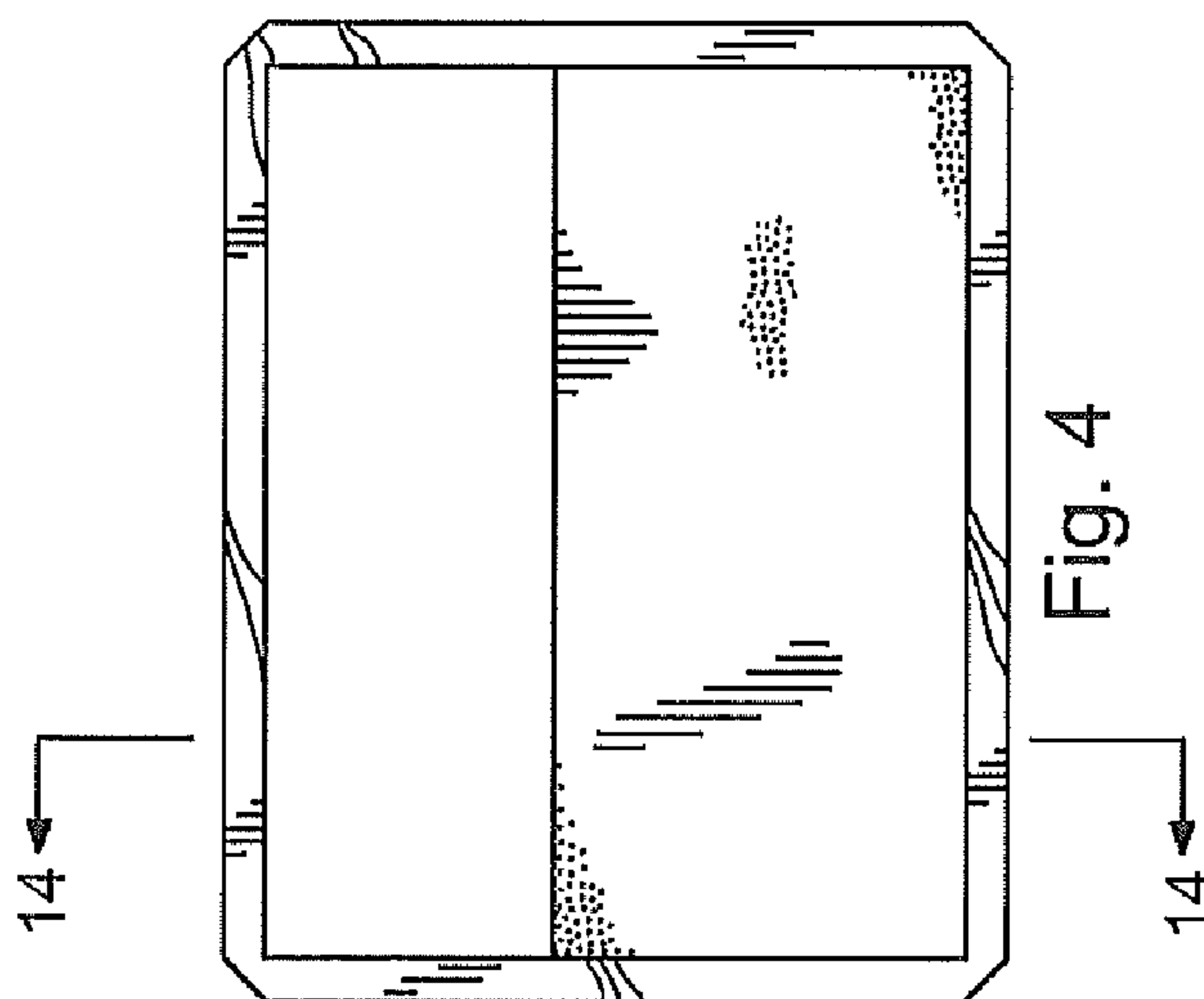


Fig. 4

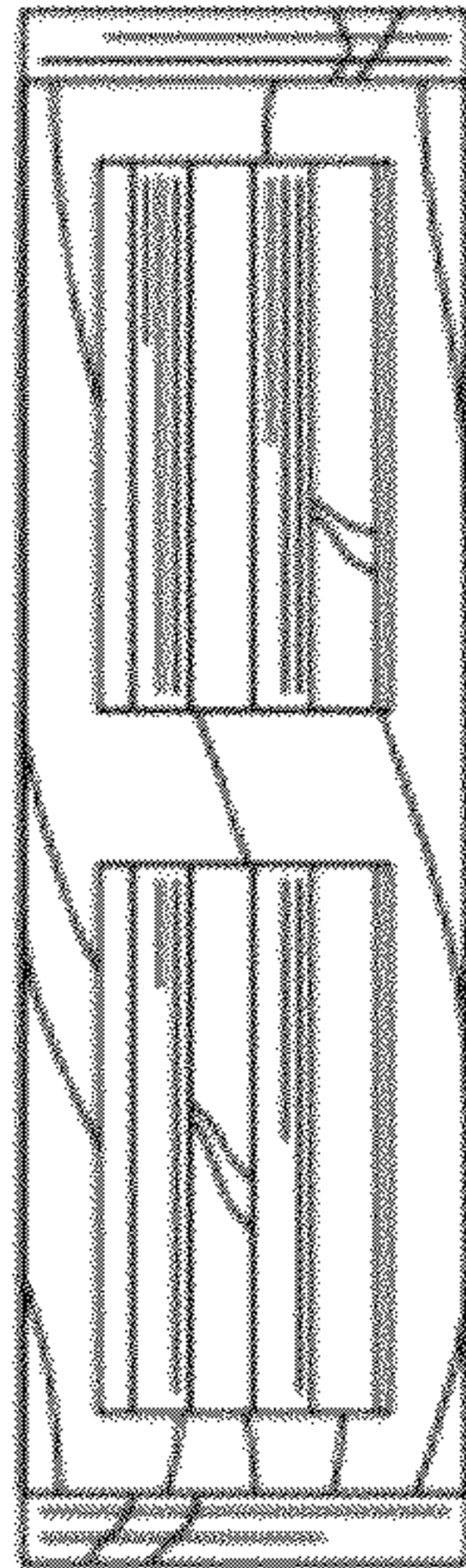


Fig. 7

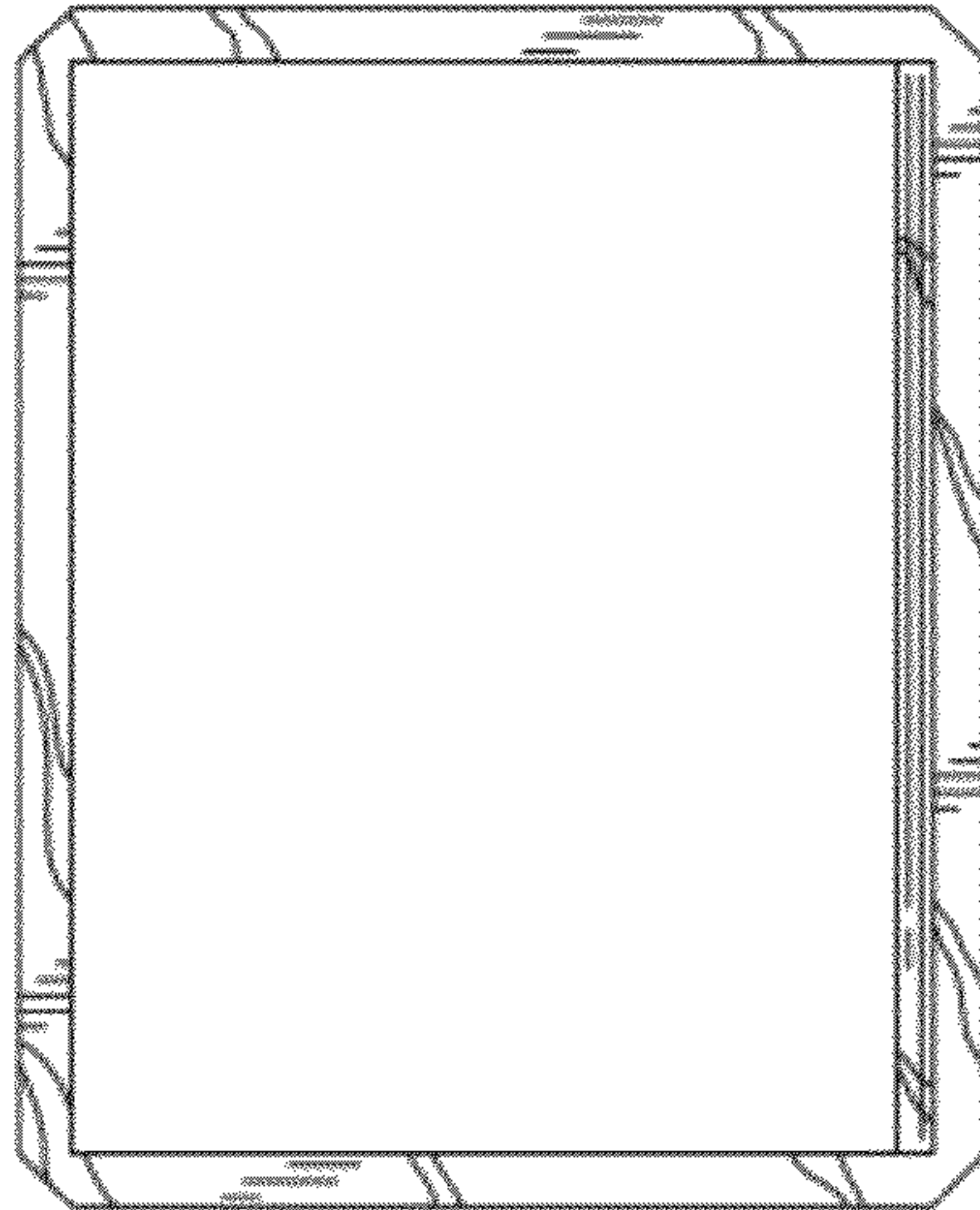


Fig. 8

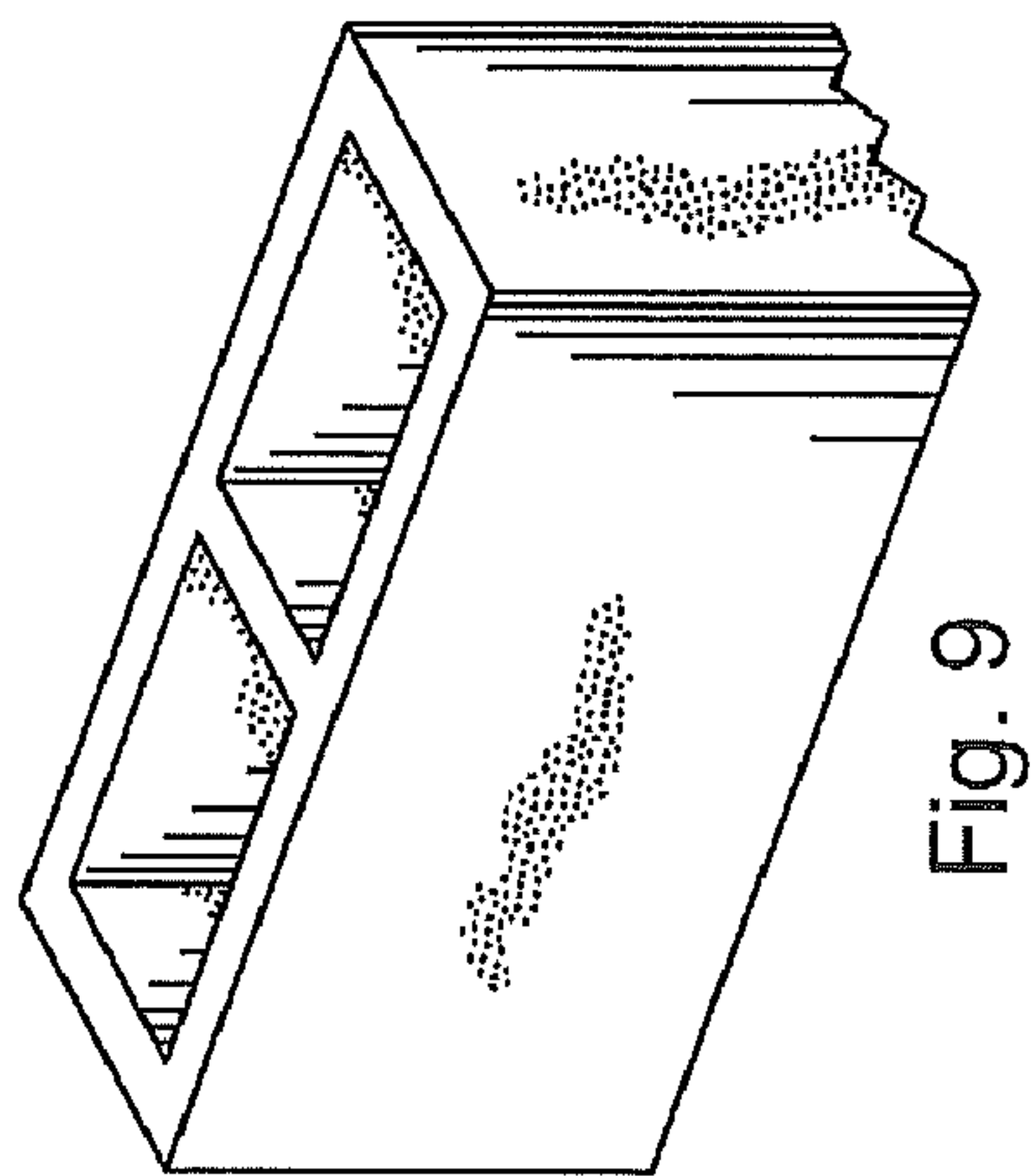


Fig. 9

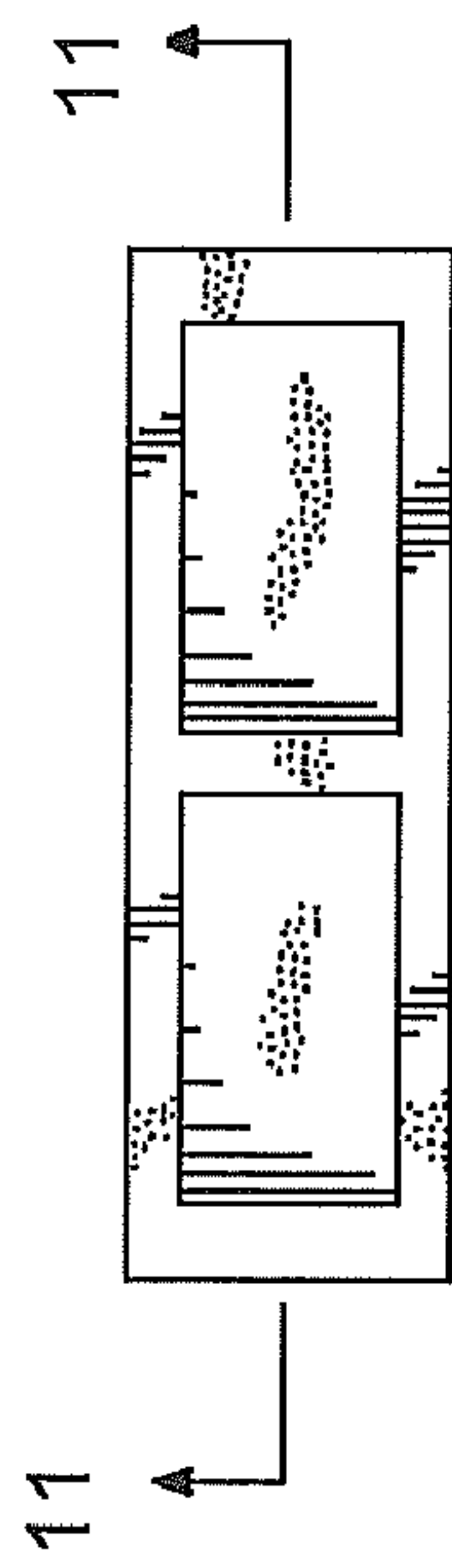


Fig. 10

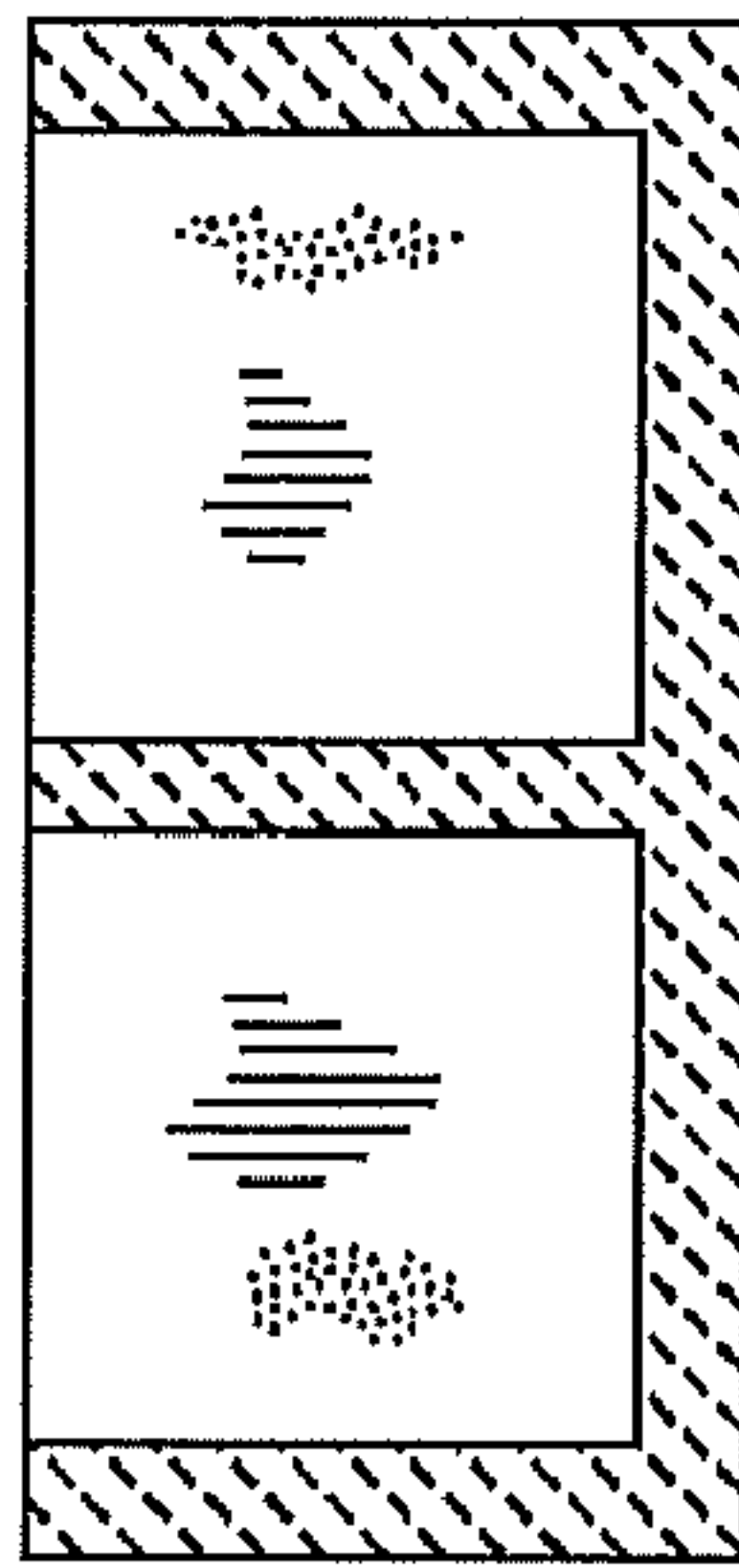


Fig. 11

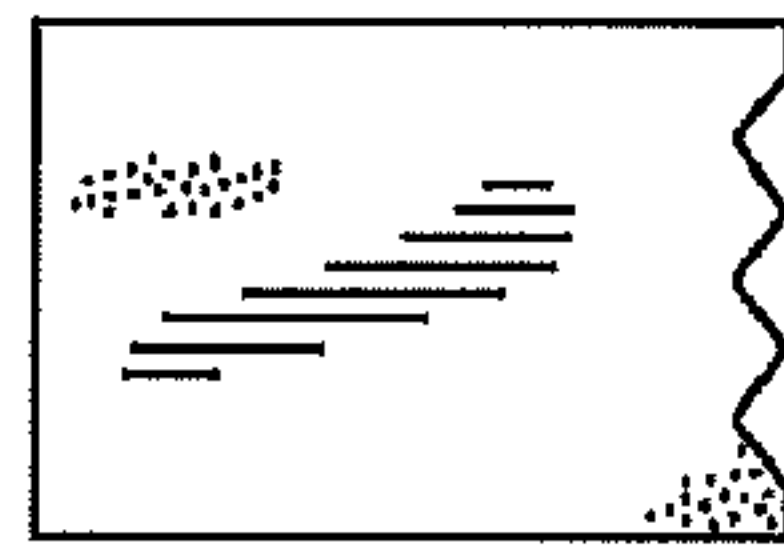


Fig. 13

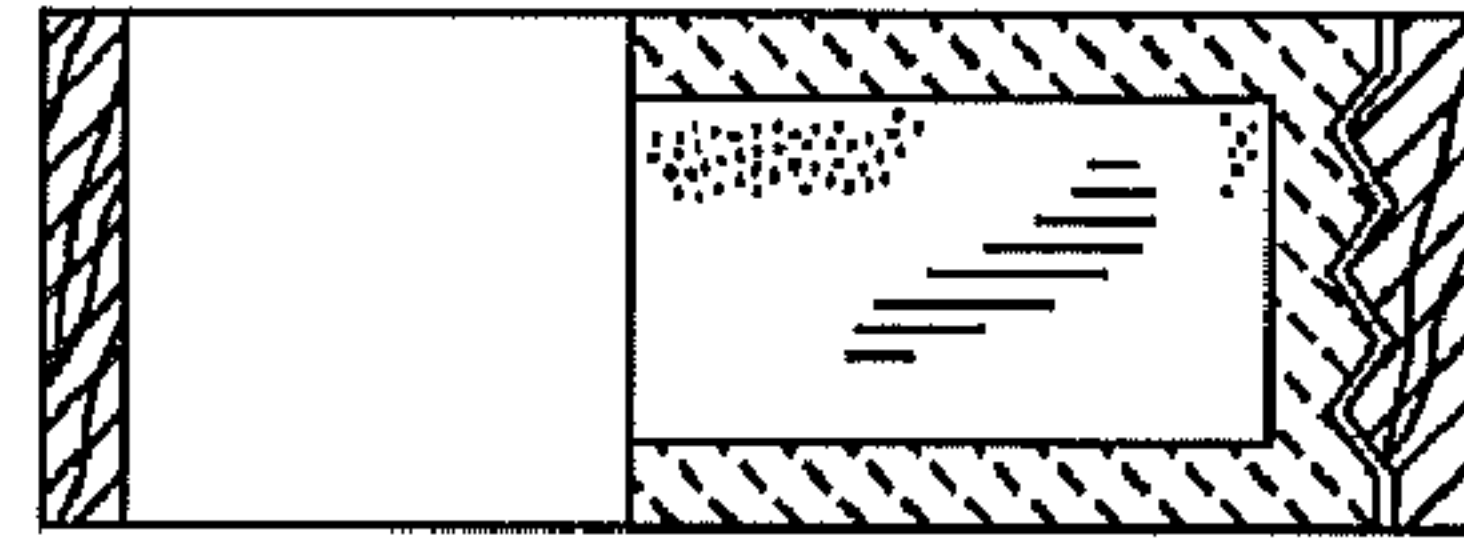


Fig. 14

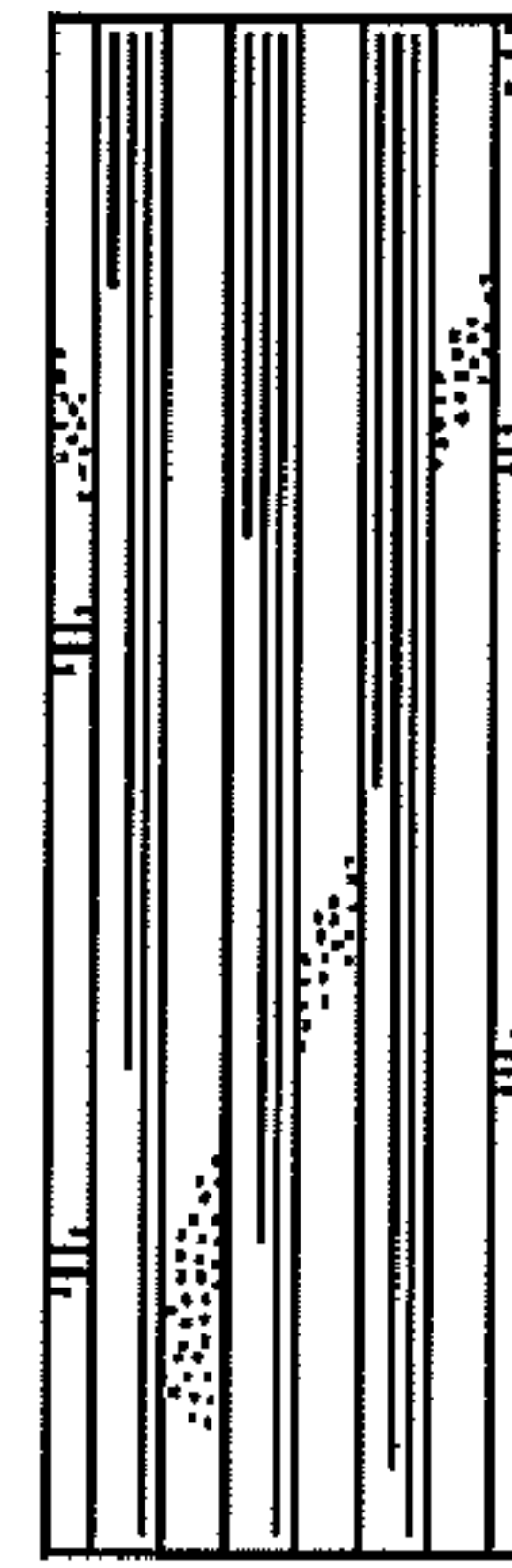


Fig. 12