



US00D672589S

(12) **United States Design Patent**
Niedergeses

(10) **Patent No.:** **US D672,589 S**

(45) **Date of Patent:** **** Dec. 18, 2012**

(54) **RIBBON HOLDER**

(76) Inventor: **Steven Niedergeses**, Orlando, FL (US)

(**) Term: **14 Years**

(21) Appl. No.: **29/414,116**

(22) Filed: **Feb. 24, 2012**

(51) **LOC (9) Cl.** **20-02**

(52) **U.S. Cl.** **D6/515**

(58) **Field of Classification Search** D6/515-523;
206/225, 233, 389, 391, 812, 824, 63.5; 211/13.1,
211/45; 222/173, 180; 221/16, 33, 282-283;
242/925, 570, 590; 248/309.1, 309.2, 905;
D9/307, 521, 529, 419, 420; D3/20, 301;
D28/66

See application file for complete search history.

(56) **References Cited**

U.S. PATENT DOCUMENTS

D242,313 S *	11/1976	Stentz	D6/574
D370,808 S *	6/1996	Larit	D6/515
D478,737 S *	8/2003	Sparkowski	D6/408
D639,588 S *	6/2011	Sauer	D6/511
D647,743 S *	11/2011	Pourian	D6/515

D652,660 S * 1/2012 Roeske D6/515

* cited by examiner

Primary Examiner — Brian N Vinson

(74) *Attorney, Agent, or Firm* — Daniel Law Office, P.A.;
Jason T. Daniel, Esq.

(57) **CLAIM**

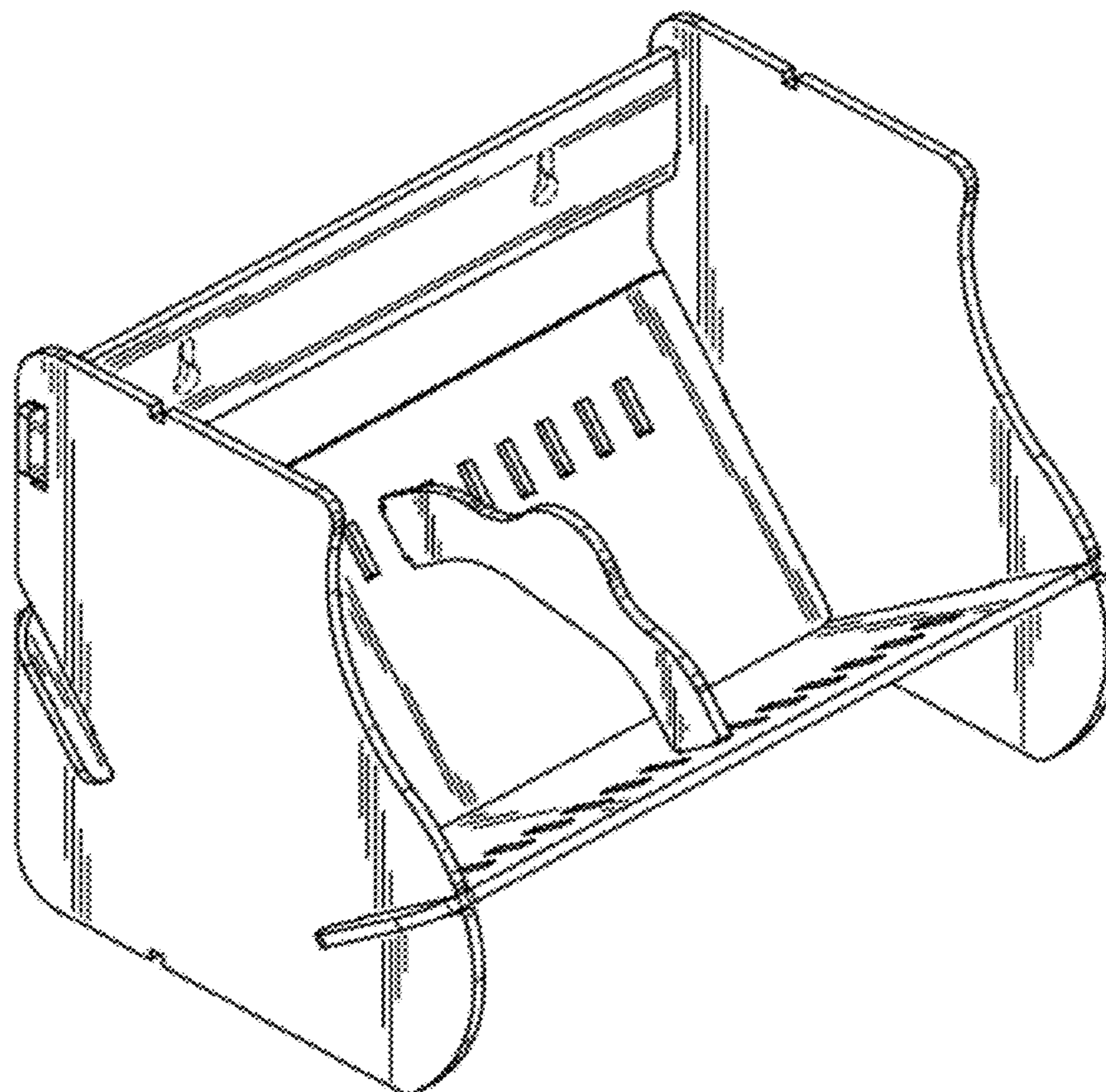
The ornamental design for a ribbon holder, as shown and described.

DESCRIPTION

FIG. 1 is a top, front, and left side perspective view of a ribbon holder showing my new design;
FIG. 2 is a top, rear, and left side perspective view thereof;
FIG. 3 is a front elevational view thereof;
FIG. 4 is a rear elevational view thereof;
FIG. 5 is a right side elevational view thereof;
FIG. 6 is a left side elevational view thereof;
FIG. 7 is a top plan view thereof;
FIG. 8 is a bottom plan view thereof; and,
FIG. 9 is an additional top, front, and left side perspective view thereof.

The broken-line disclosure in the views represents either portions of the article or environmental structure forming no part of the claimed design.

1 Claim, 5 Drawing Sheets



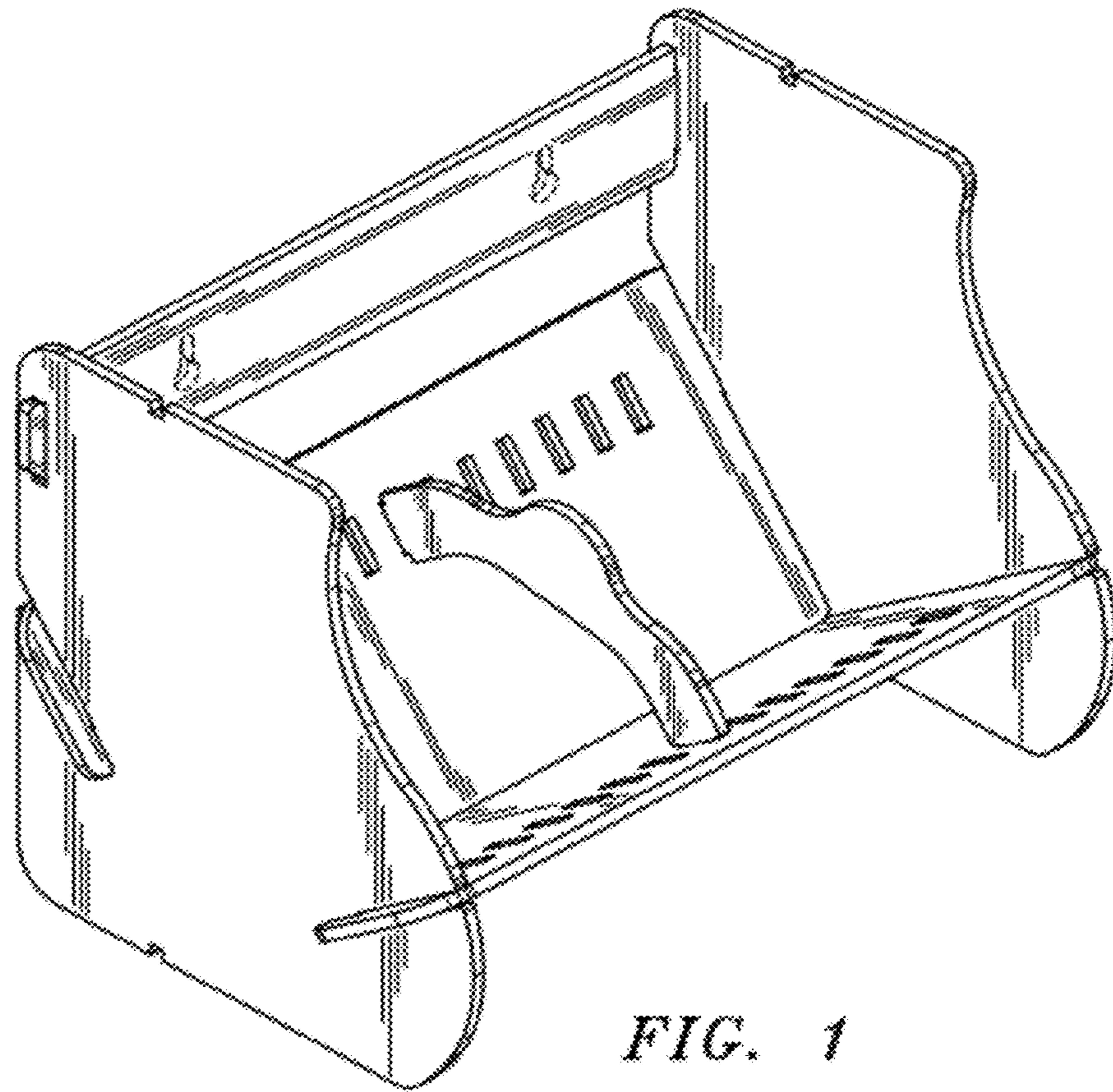


FIG. 1

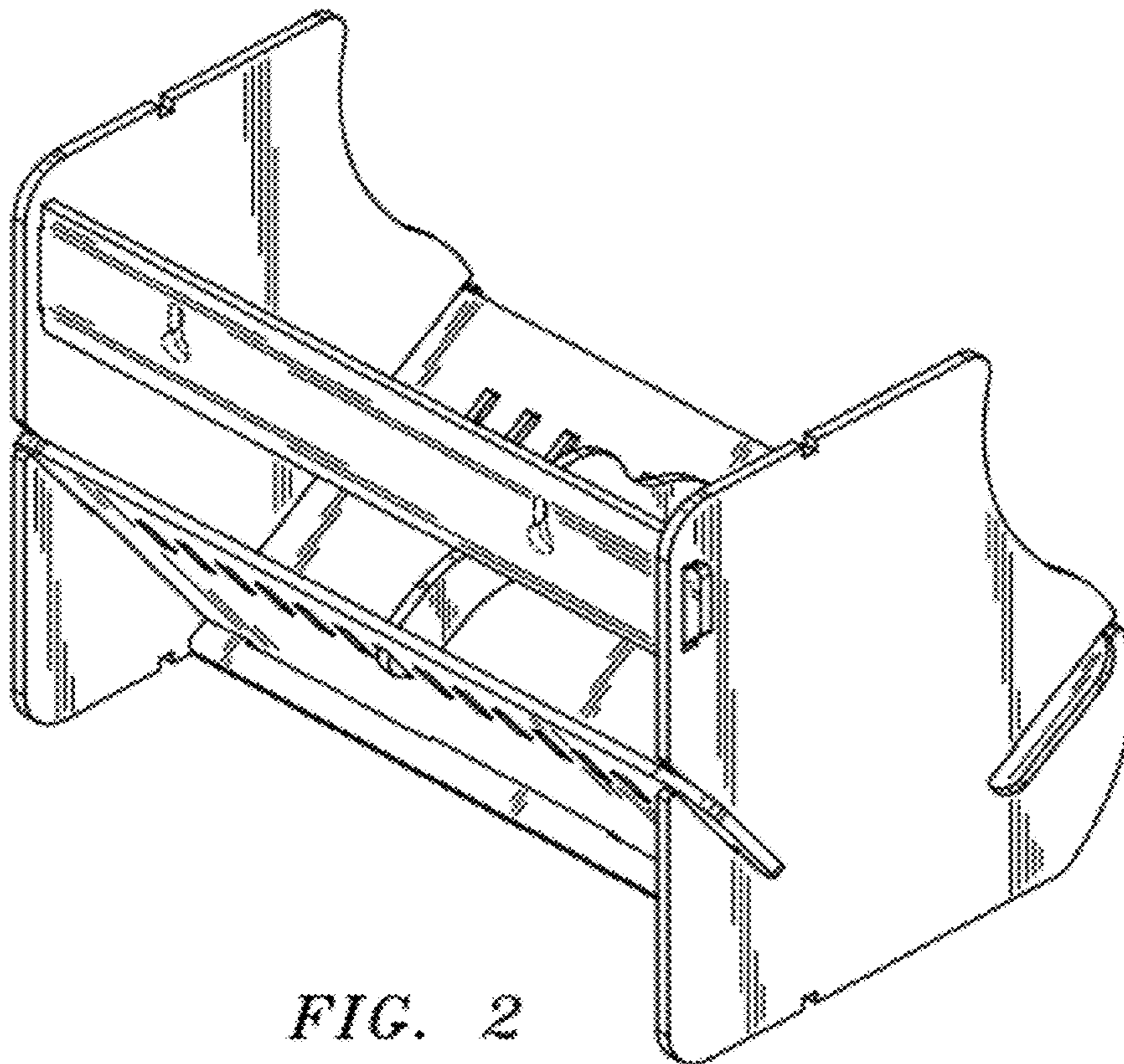


FIG. 2

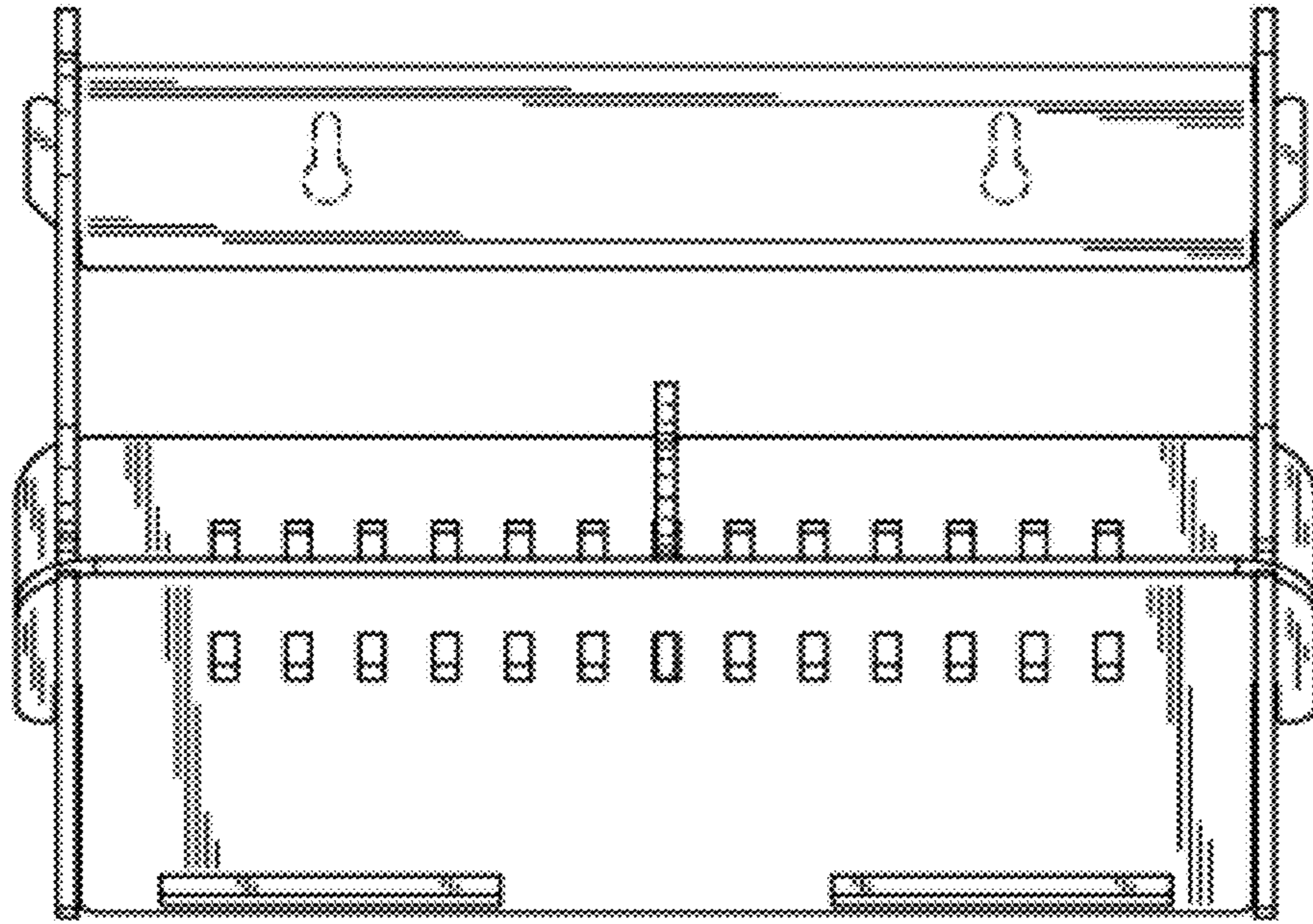


FIG. 3

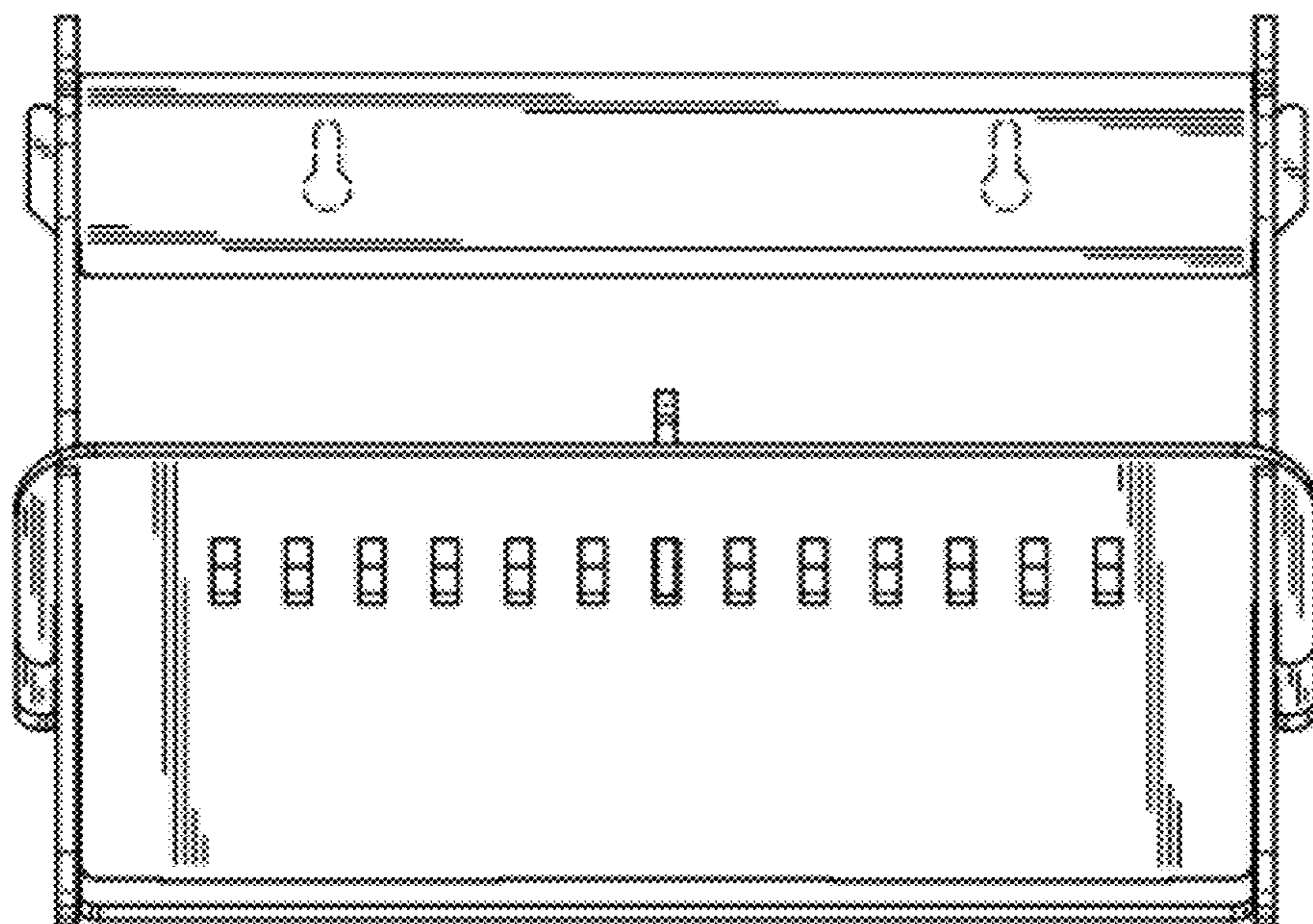


FIG. 4

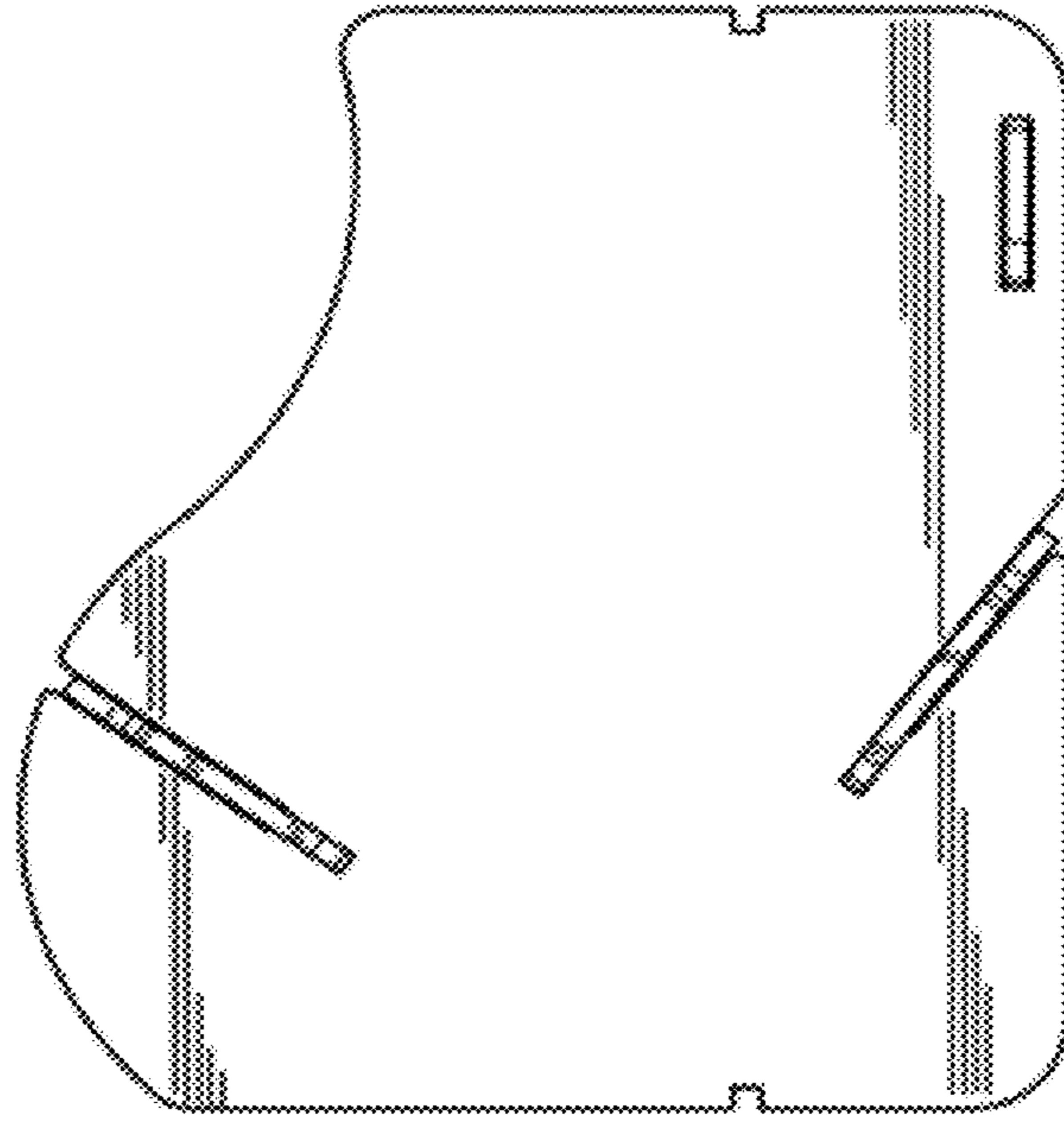


FIG. 5

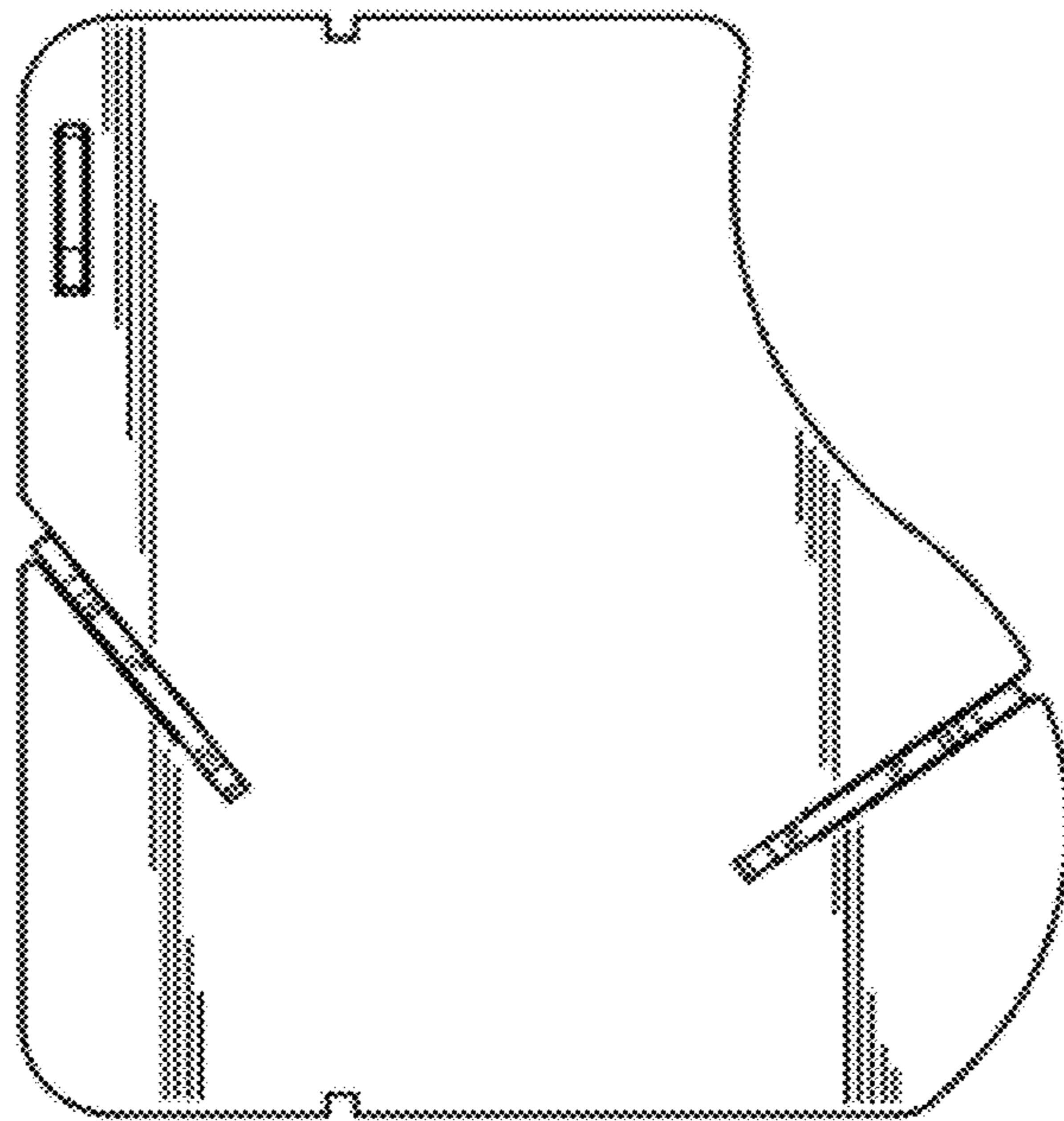


FIG. 6

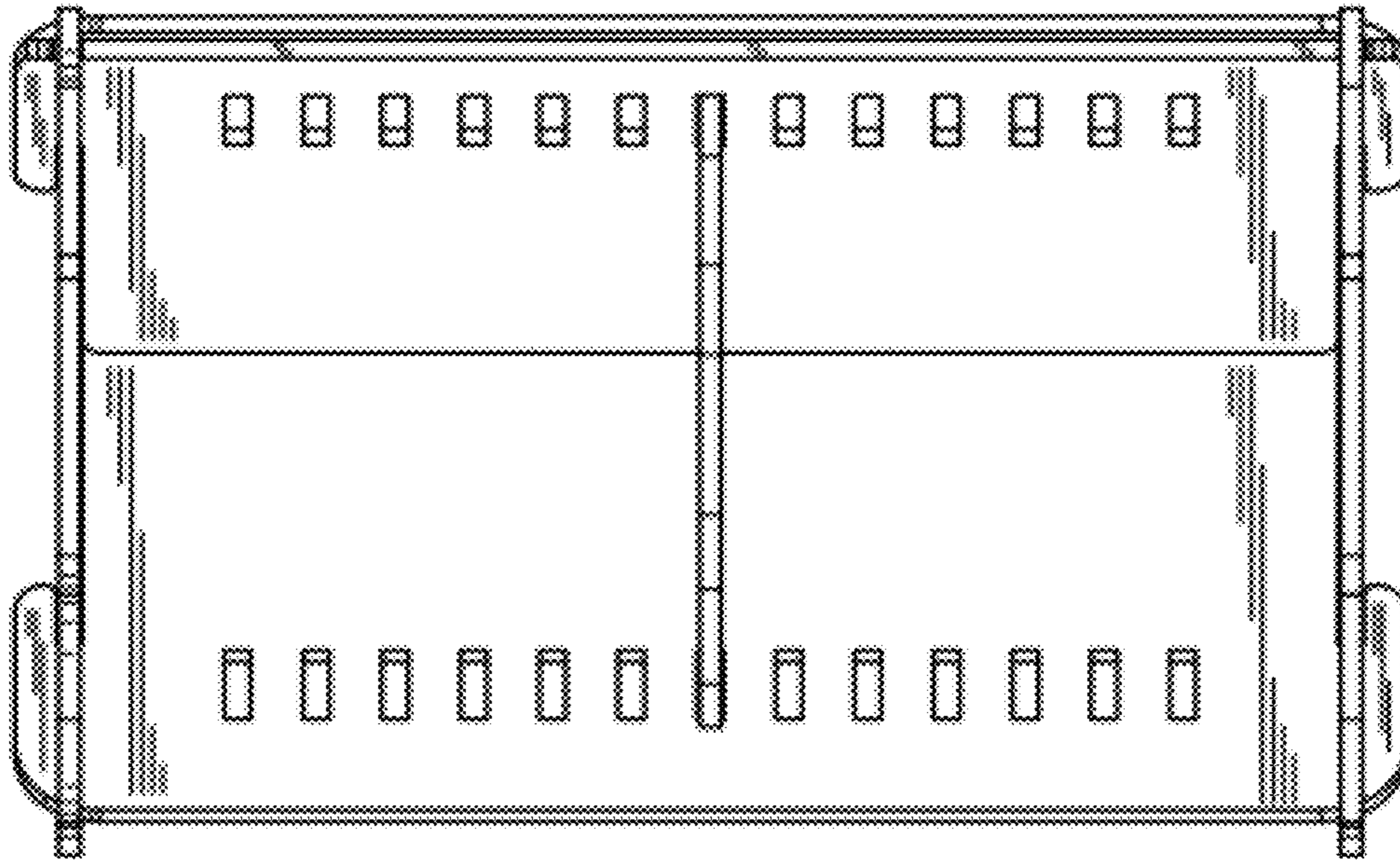


FIG. 7

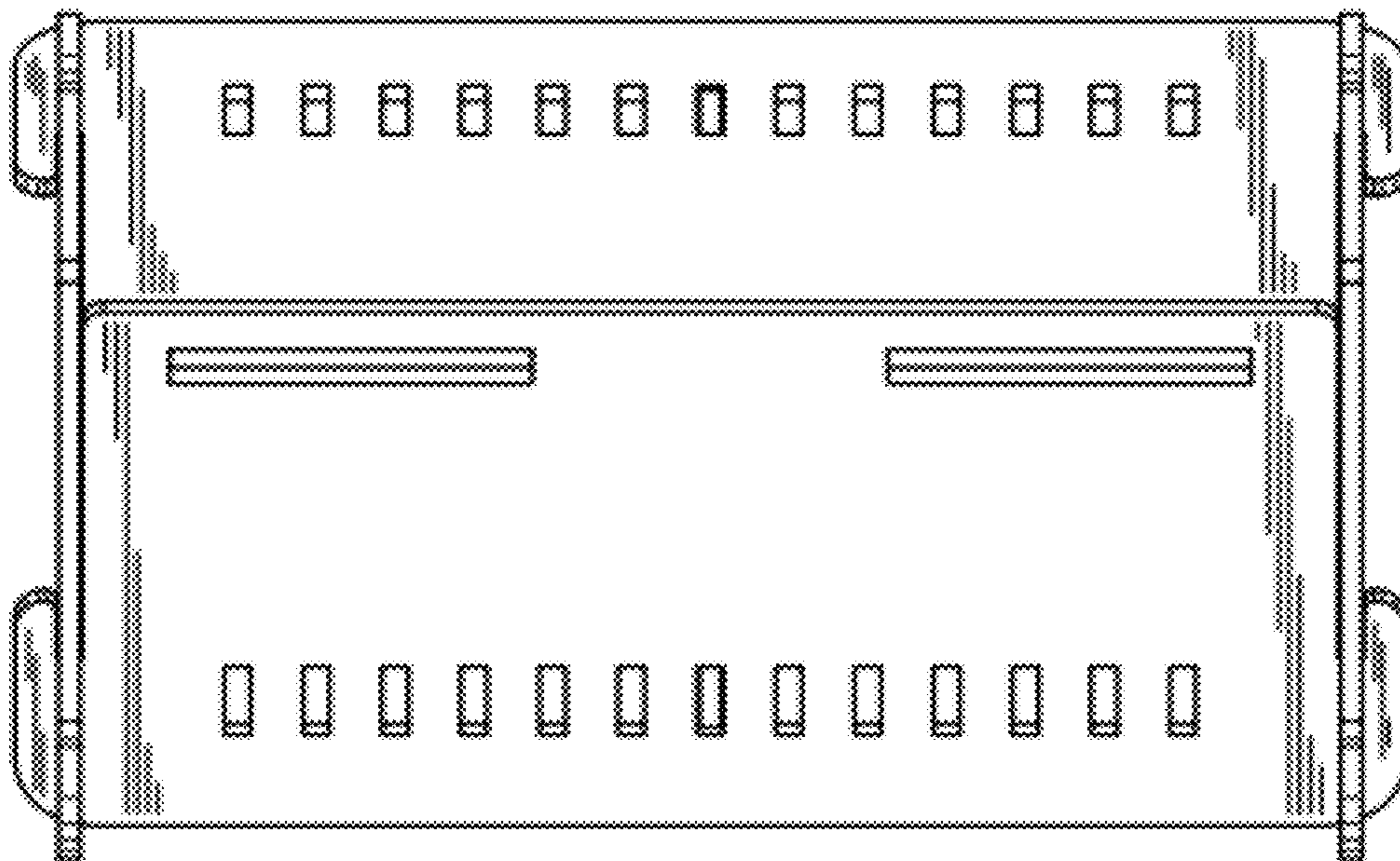


FIG. 8

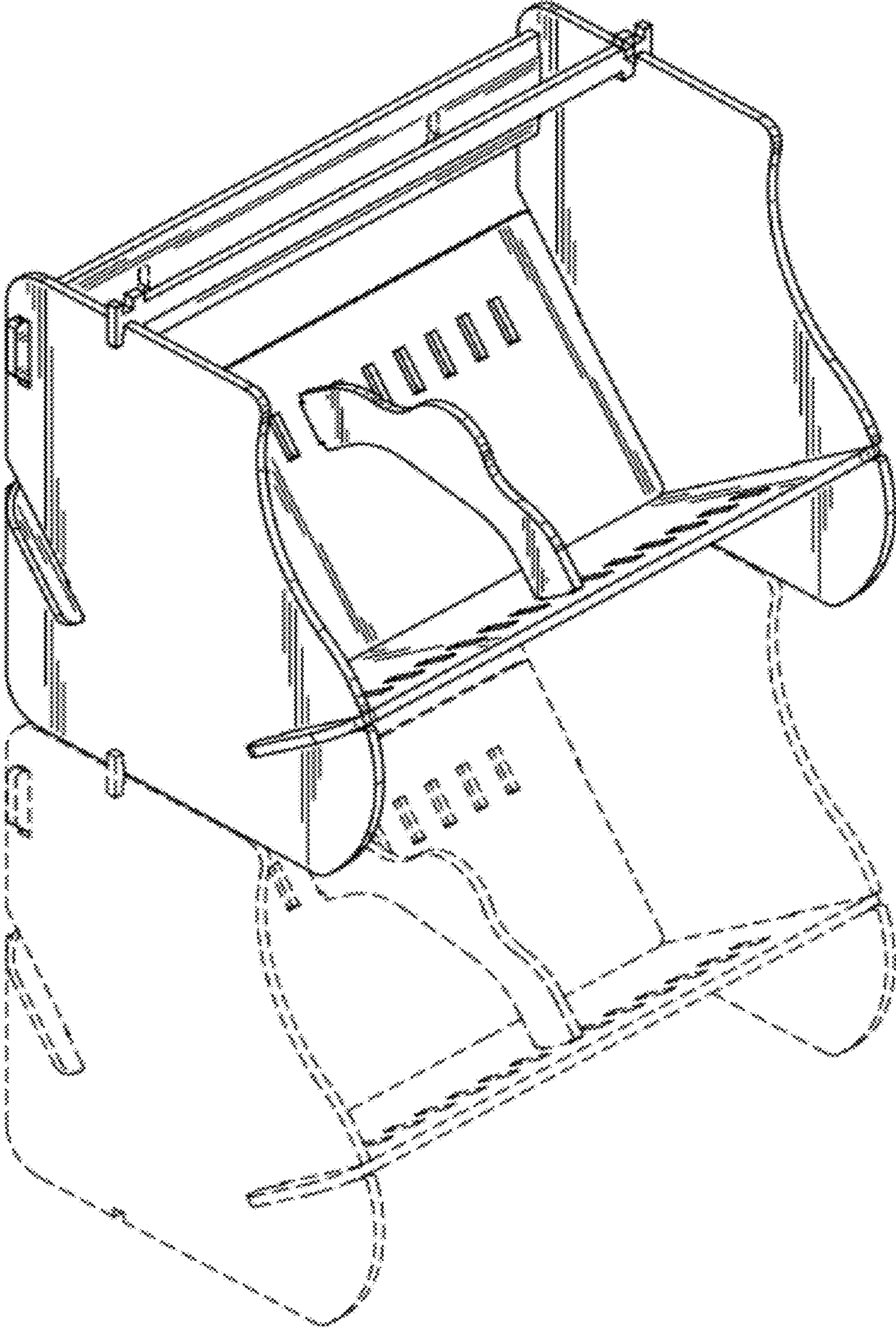


FIG. 9