



US00D672588S

(12) **United States Design Patent**
Bode

(10) **Patent No.:** **US D672,588 S**

(45) **Date of Patent:** **** Dec. 18, 2012**

(54) **ARCHED STEMWARE HOLDER**

(75) Inventor: **Daniel G. Bode**, Bennington, NE (US)

(73) Assignee: **Hoffco, Inc.**, Wood Lake, MN (US)

(**) Term: **14 Years**

(21) Appl. No.: **29/364,031**

(22) Filed: **Jun. 17, 2010**

(51) **LOC (9) Cl.** **06-04**

(52) **U.S. Cl.** **D6/513**

(58) **Field of Classification Search** D7/601-602,
D7/701, 703, 707; D6/512-514, 449, 466-467;
D25/55-57, 60; 211/75, 94.01, 162; 312/128,
312/132, 245, 350

See application file for complete search history.

D307,990 S *	5/1990	Funk	D6/513
D308,924 S *	7/1990	VanNoord	D6/513
5,467,949 A *	11/1995	Lemke	248/95
D393,388 S *	4/1998	Chen	D6/513
6,212,793 B1 *	4/2001	Goad	34/441
6,840,592 B2 *	1/2005	Kalieta et al.	312/326
D642,837 S *	8/2011	Gray	D6/513
8,016,132 B2 *	9/2011	LaRiviere	211/85.29

* cited by examiner

Primary Examiner — Ian Simmons

Assistant Examiner — Dana L Meyrow

(74) *Attorney, Agent, or Firm* — Husch Blackwell LLP;
Samuel Digirolamo

(57) **CLAIM**

The ornamental design for an arched stemware holder, as shown and described.

DESCRIPTION

FIG. 1 is a bottom, front, right side perspective view of an arched stemware holder showing our new design;

FIG. 2 is a front elevation view thereof;

FIG. 3 is a bottom plan view thereof;

FIG. 4 is a right side elevation view thereof; and,

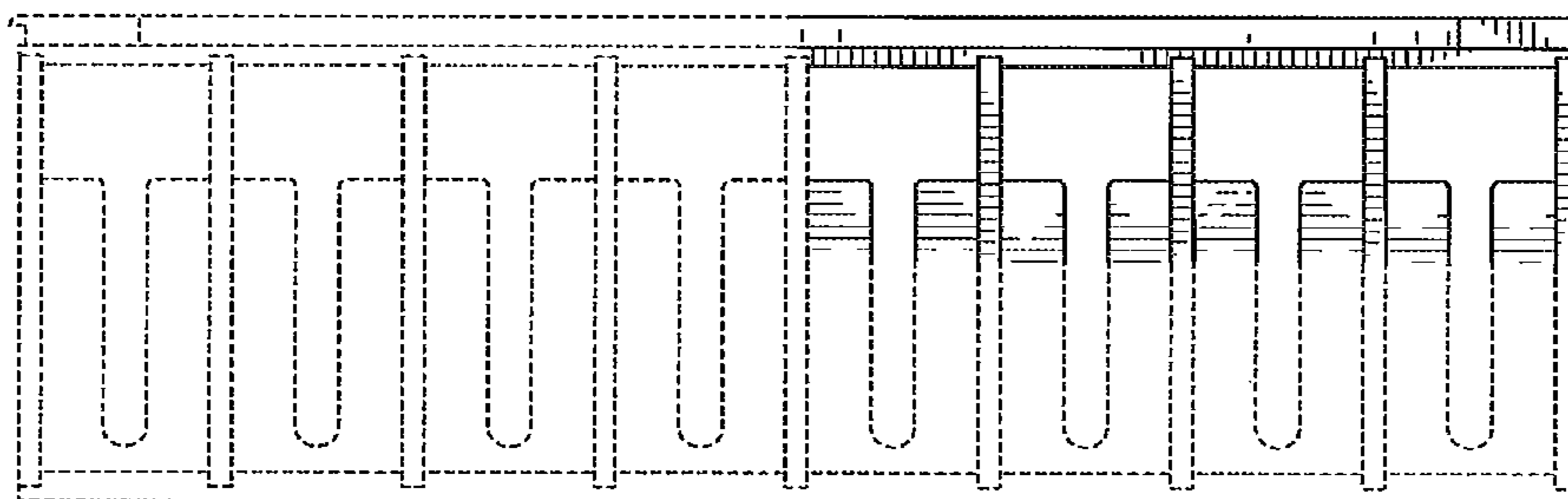
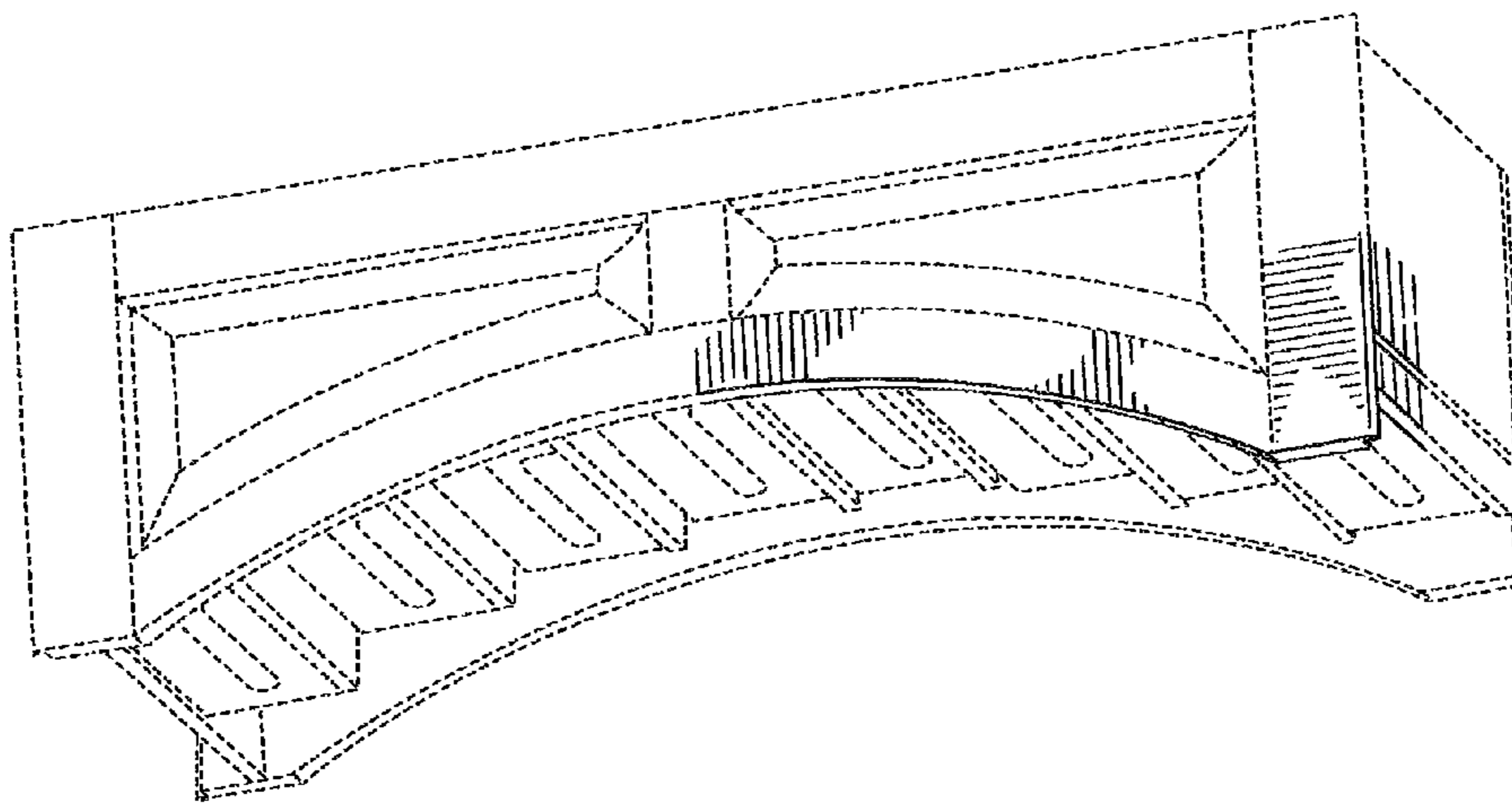
FIG. 5 is a bottom, front, right side perspective view thereof showing the arched stemware holder in use.

1 Claim, 3 Drawing Sheets

(56) **References Cited**

U.S. PATENT DOCUMENTS

D67,861 S *	7/1925	Weber	D25/55
4,228,905 A *	10/1980	Cammarota	211/41.2
D259,452 S *	6/1981	Hoffman	D6/514
D267,914 S *	2/1983	Lin	D6/513
D275,433 S *	9/1984	Boland, II	D6/514
4,601,138 A *	7/1986	Hampton	52/86
D288,156 S *	2/1987	Nuncio	D6/468



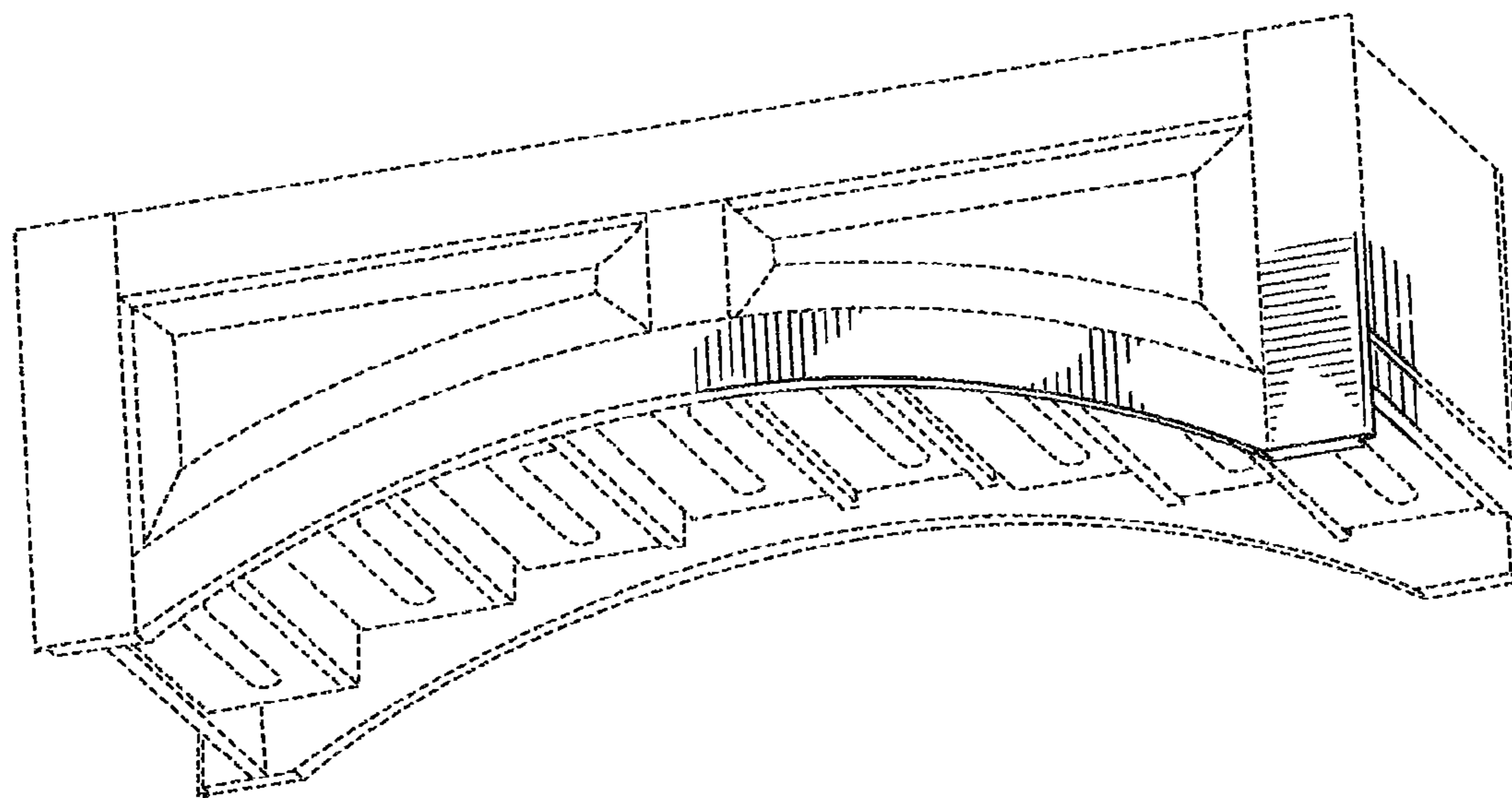


FIG. 1

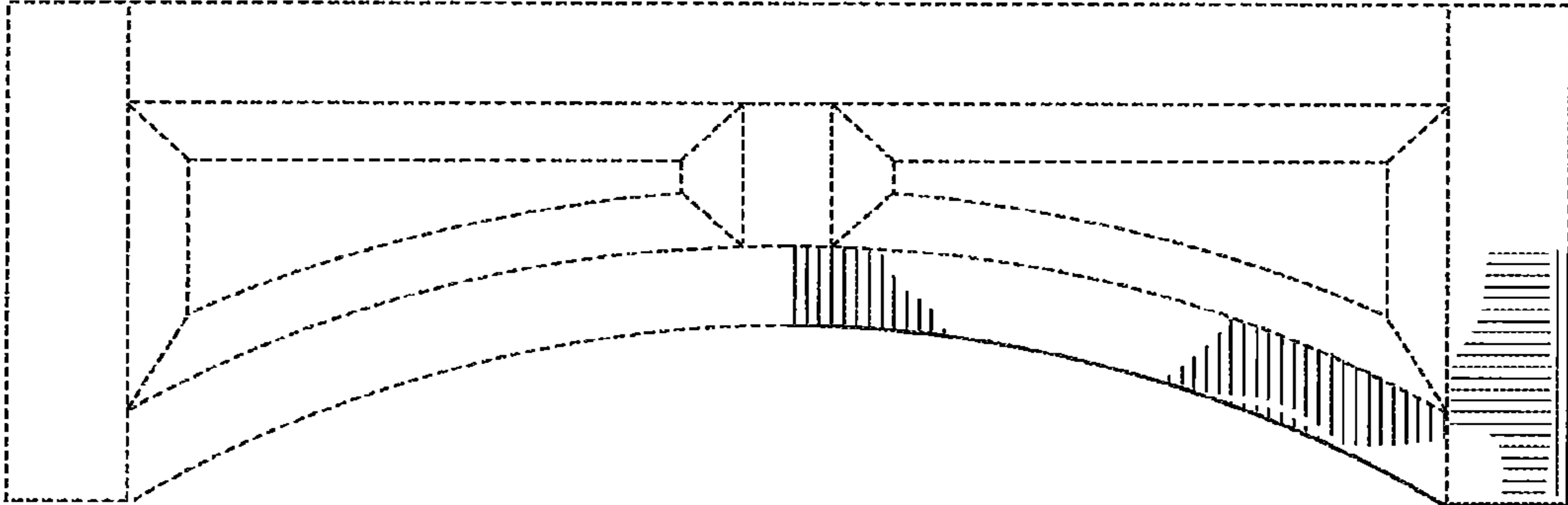


FIG. 2

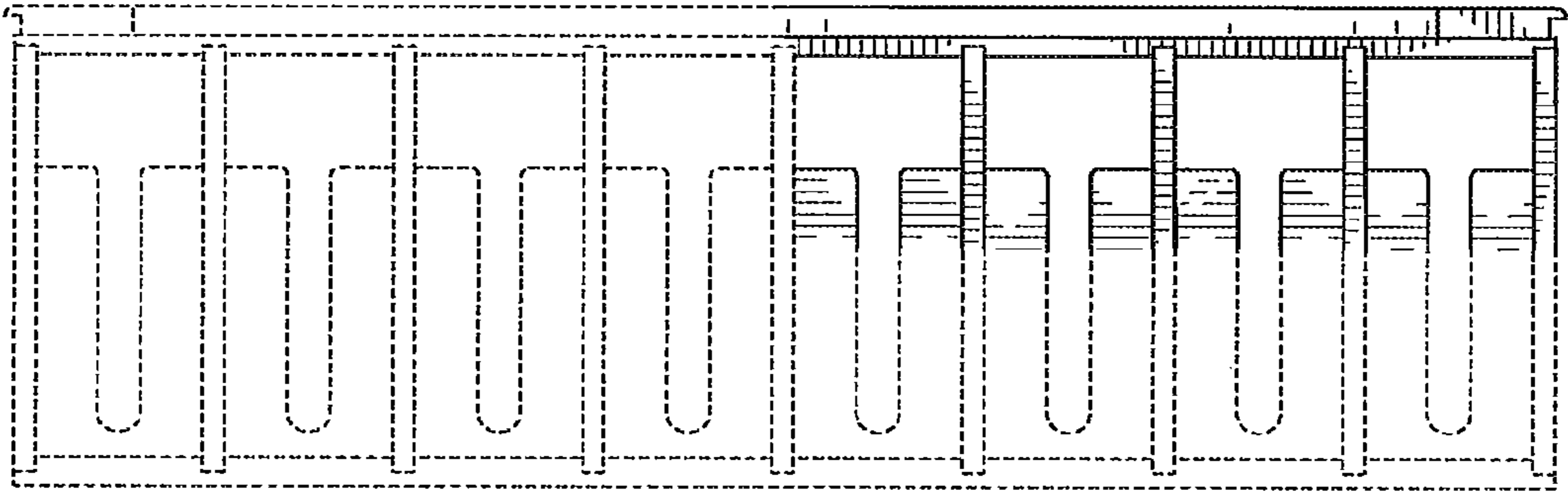


FIG. 3

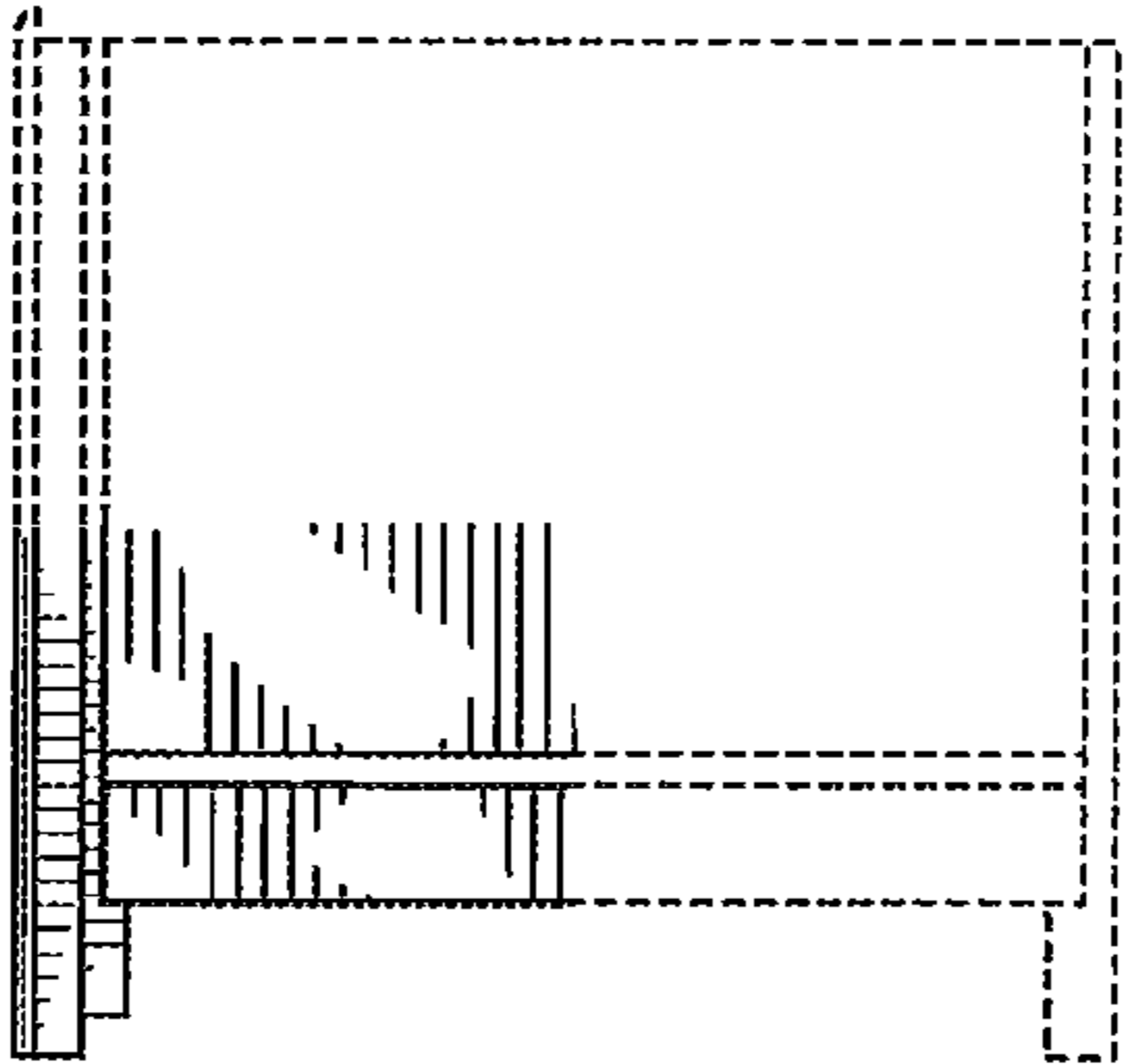


FIG. 4

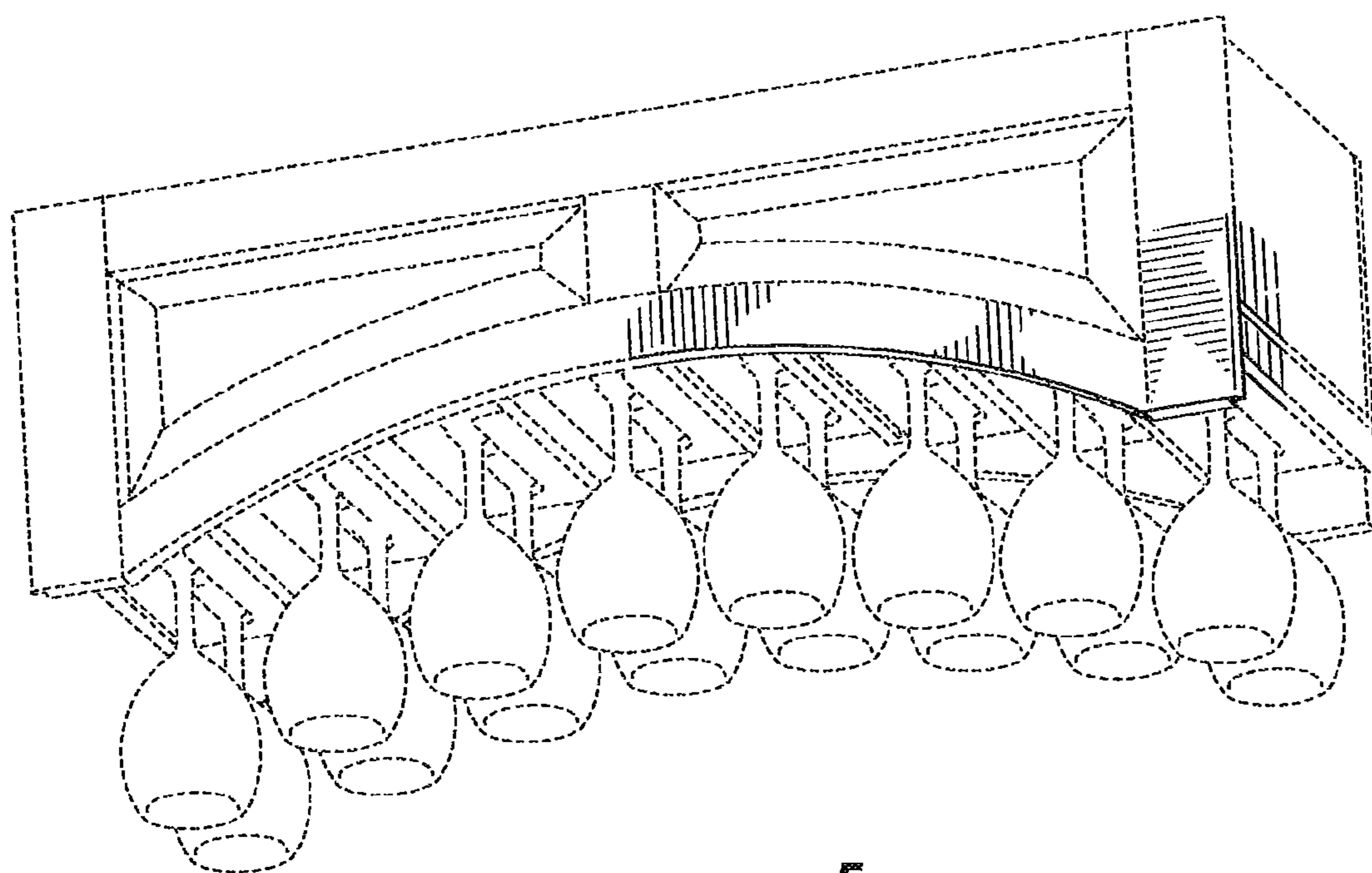


FIG. 5