



US00D672587S

(12) **United States Design Patent**
Puksta

(10) **Patent No.:** **US D672,587 S**
(45) **Date of Patent:** **** Dec. 18, 2012**

(54) **WINE RACK PANEL**

(75) Inventor: **Frederick P. Puksta**, Keene, NH (US)

(73) Assignee: **Crown Point & Cabinetry Corp.**,
Claremont, NH (US)

(**) Term: **14 Years**

(21) Appl. No.: **29/414,065**

(22) Filed: **Feb. 24, 2012**

(51) **LOC (9) Cl.** **06-06**

(52) **U.S. Cl.** **D6/510**

(58) **Field of Classification Search** D5/53;

D6/300, 309, 396, 436-439, 442-448, 460-468,

D6/470-479, 491-495, 509-511, 559, 561;

D21/494-497; D25/452; D99/18; 312/194,

312/198, 204-209, 224-234, 242, 245

See application file for complete search history.

(56) **References Cited**

U.S. PATENT DOCUMENTS

D198,253 S *	5/1964	Roth	D5/53
D215,452 S *	10/1969	Durando	D6/442
D358,509 S *	5/1995	Klein	D6/465
D365,949 S *	1/1996	Klein	D6/477
D397,888 S *	9/1998	Teng	D6/464
D407,242 S *	3/1999	Tseng	D6/464
D420,528 S *	2/2000	Gesing	D6/436
D438,727 S *	3/2001	McDaniel et al.	D6/446
D455,291 S *	4/2002	Jeup	D6/448
D476,825 S *	7/2003	Adams	D6/436
D482,910 S *	12/2003	Jeup	D6/492
D656,295 S *	3/2012	Tokarz	D99/18

* cited by examiner

Primary Examiner — Ricky Pham

(74) *Attorney, Agent, or Firm* — Michael J. Weins; Jeffrey E. Semprebon

(57) **CLAIM**

The ornamental design for a wine rack panel, as is shown and described.

DESCRIPTION

FIG. 1 is a perspective view showing a first embodiment of my new wine rack panel design when incorporated into a cabinet assembly to form a wine storage rack; in this embodiment, the wine storage rack is intended to store four bottles. The portions of the cabinet assembly that form no part of the claimed design are shown in broken lines.

FIG. 2 is a front elevation view showing the first embodiment of my design.

FIG. 3 is a view of the section 3-3 of FIG. 2.

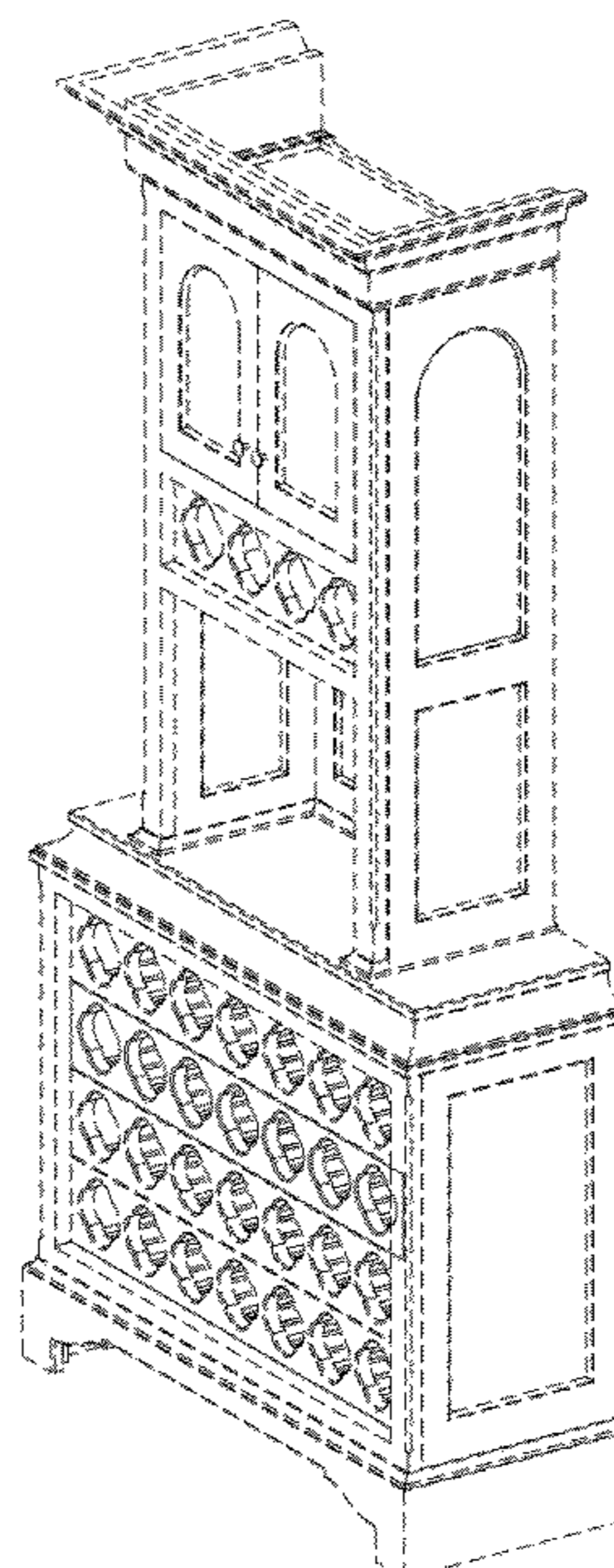
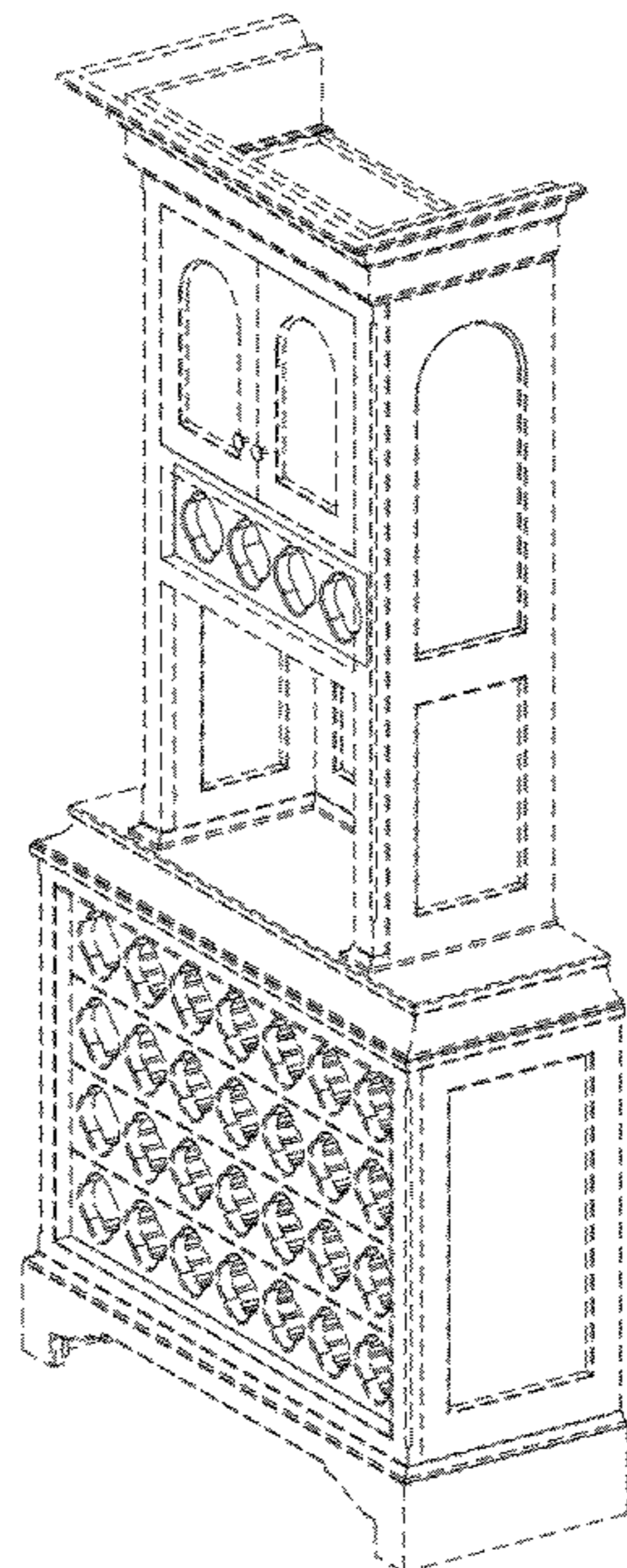
FIG. 4 is an enlarged view of the section 4-4 of FIG. 2. The right side, left side, and back elevation views and the top and bottom views are not visible when the wine rack panel is in use and do not form a part of the claimed design.

FIG. 5 is a perspective view showing a second embodiment of my new wine rack panel design when incorporated into a cabinet assembly to form a portion of a wine storage rack; in this embodiment, the wine storage rack is intended to store seven bottles in a row. The portions of the cabinet assembly that form no part of the claimed design are shown in broken lines.

FIG. 6 is a front elevation view showing the second embodiment of my design.

FIG. 7 is an enlarged view of the section 7-7 of FIG. 6; and, FIG. 8 is an enlarged view of the section 8-8 of FIG. 6. The right side, left side, and back elevation views and the top and bottom views are not visible when the wine rack panel is in use and do not form a part of the claimed design.

1 Claim, 4 Drawing Sheets



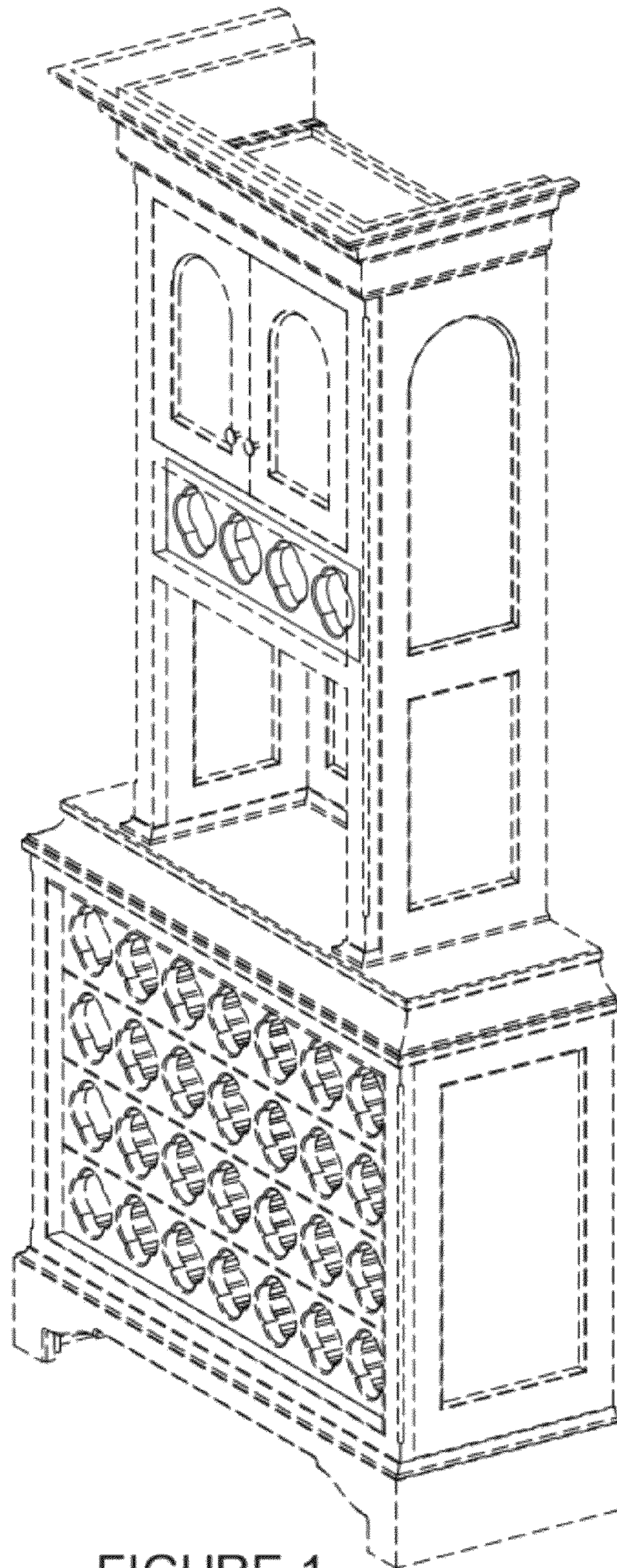


FIGURE 1

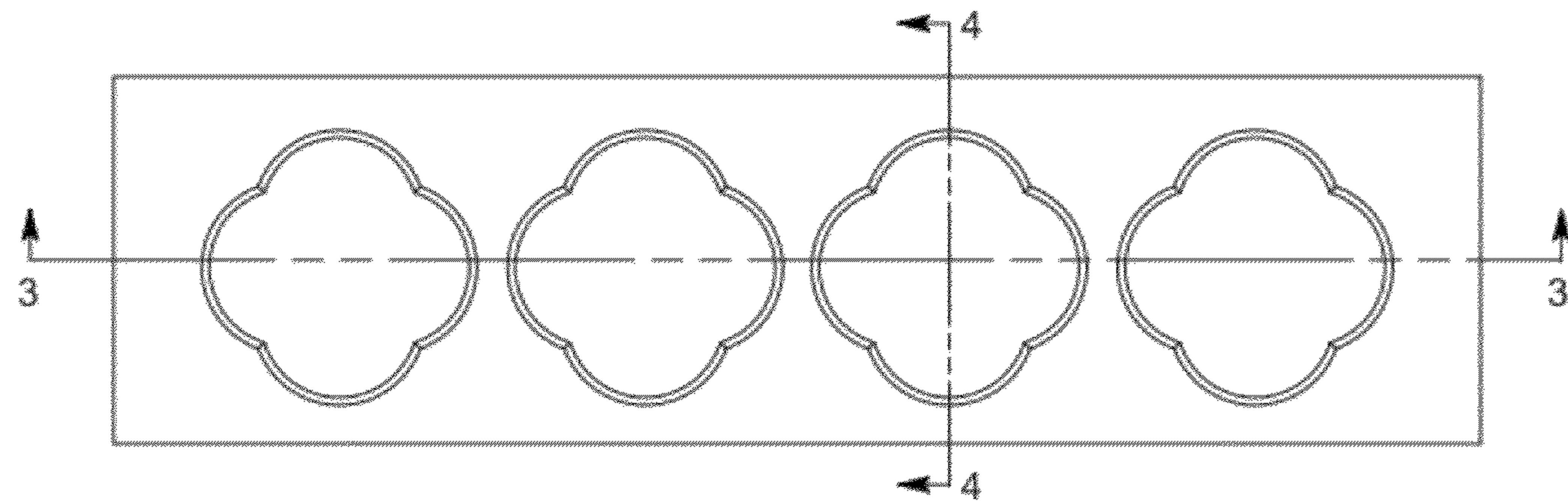


Figure 2

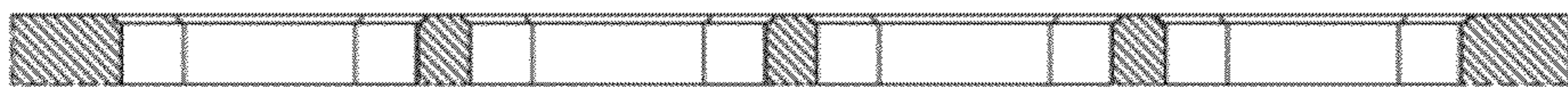


Figure 3

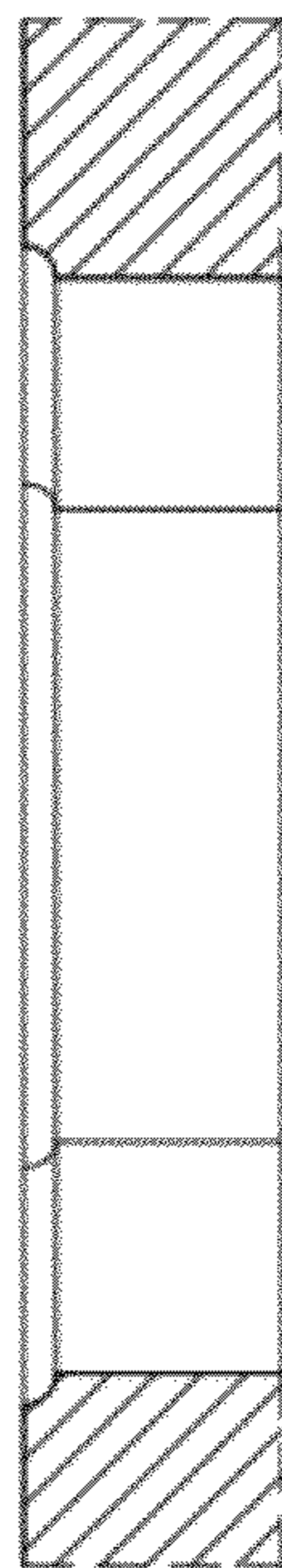


Figure 4

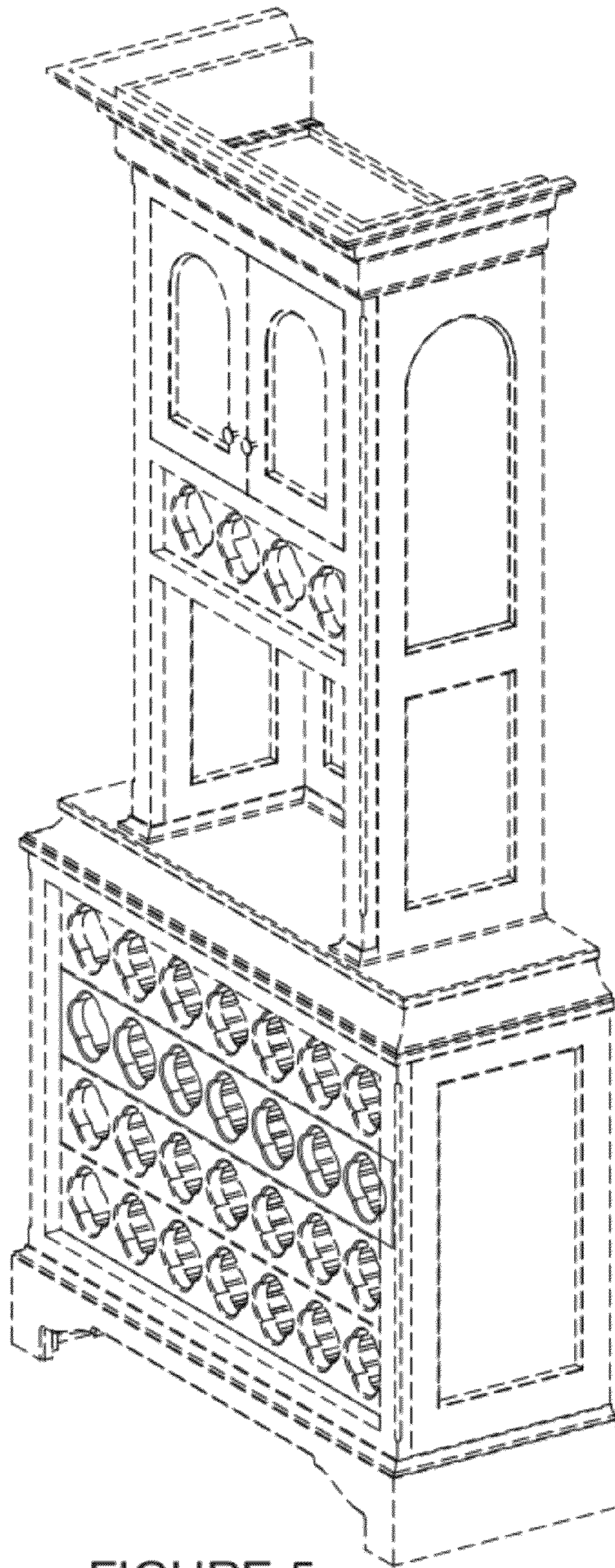


FIGURE 5

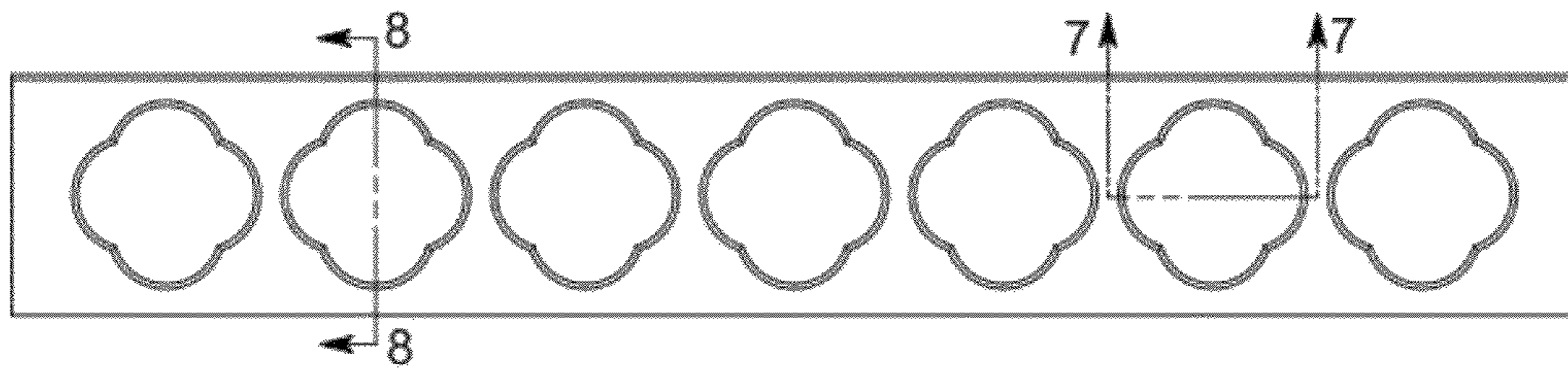


Figure 6

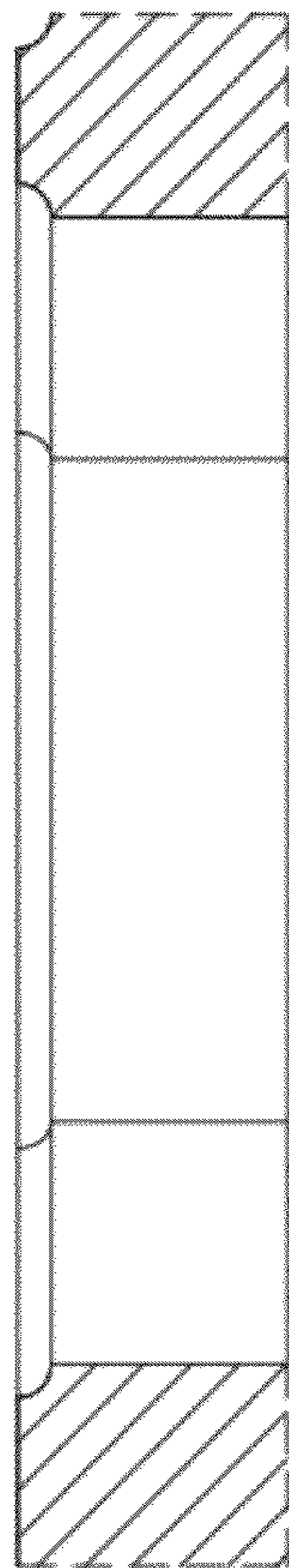


Figure 8

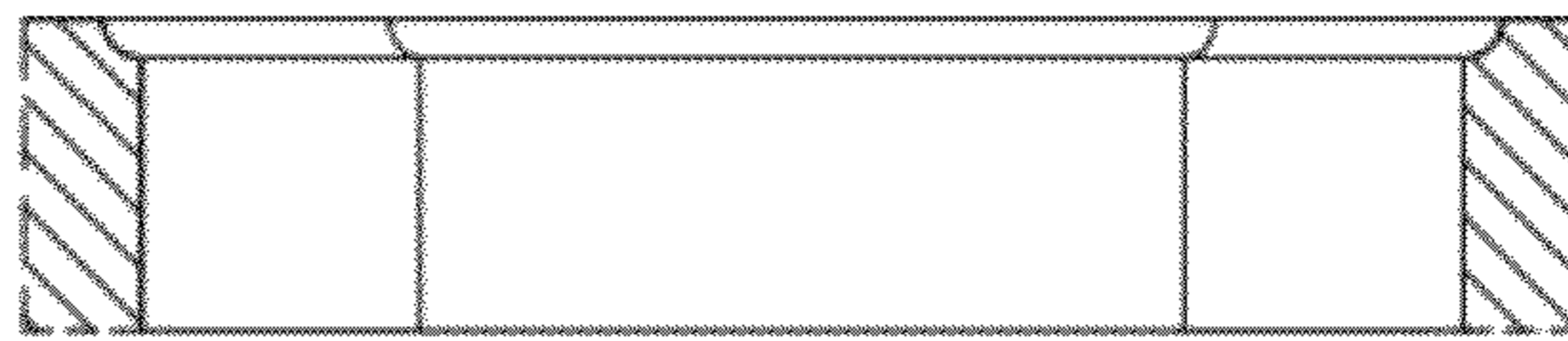


Figure 7