

US00D672584S

(12) **United States Design Patent**  
**Carmichael, IV**

(10) **Patent No.:** **US D672,584 S**

(45) **Date of Patent:** **\*\* Dec. 18, 2012**

(54) **STOOL CUSHION**

D405,617 S \* 2/1999 Kaczmarek et al. .... D6/366  
6,030,045 A \* 2/2000 Hoshino ..... 297/461  
D467,761 S \* 12/2002 Messenger ..... D6/502

(75) Inventor: **Daniel L. Carmichael, IV**, Duluth, GA  
(US)

(Continued)

(73) Assignee: **Carmichael Throne Company**,  
Suwanee, GA (US)

FOREIGN PATENT DOCUMENTS

WO WO8607528 12/1986

(Continued)

(\*\*) Term: **14 Years**

*Primary Examiner* — Mimoso De

(21) Appl. No.: **29/396,783**

(74) *Attorney, Agent, or Firm* — Jones IP Law, LLC; Dennis W. Jones

(22) Filed: **Jul. 7, 2011**

(51) **LOC (9) Cl.** ..... **06-01**

(52) **U.S. Cl.** ..... **D6/502**

(58) **Field of Classification Search** ..... D6/334-336,  
D6/364, 365, 366, 367, 374, 379, 380, 500-502;  
297/302.1, 353, 344.12, 354.1, 452.2, 461,  
297/463.1

See application file for complete search history.

(57) **CLAIM**

The ornamental design for a stool cushion, as shown and described.

**DESCRIPTION**

FIG. 1 is a perspective view of a stool cushion with an attached back support;

FIG. 2 is a reduced top view of FIG. 1;

FIG. 3 is a reduced front view of FIG. 1;

FIG. 4 is a reduced rear view of FIG. 1;

FIG. 5 is a reduced left side view of FIG. 1;

FIG. 6 is a reduced right side view of FIG. 1;

FIG. 7 is a perspective view of a stool cushion without back support of a second alternate environment;

FIG. 8 is a reduced top view of FIG. 7;

FIG. 9 is a reduced front view of FIG. 7;

FIG. 10 is a reduced rear view of FIG. 7;

FIG. 11 is a reduced left side view of FIG. 7; and,

FIG. 12 is a reduced right side view of FIG. 7.

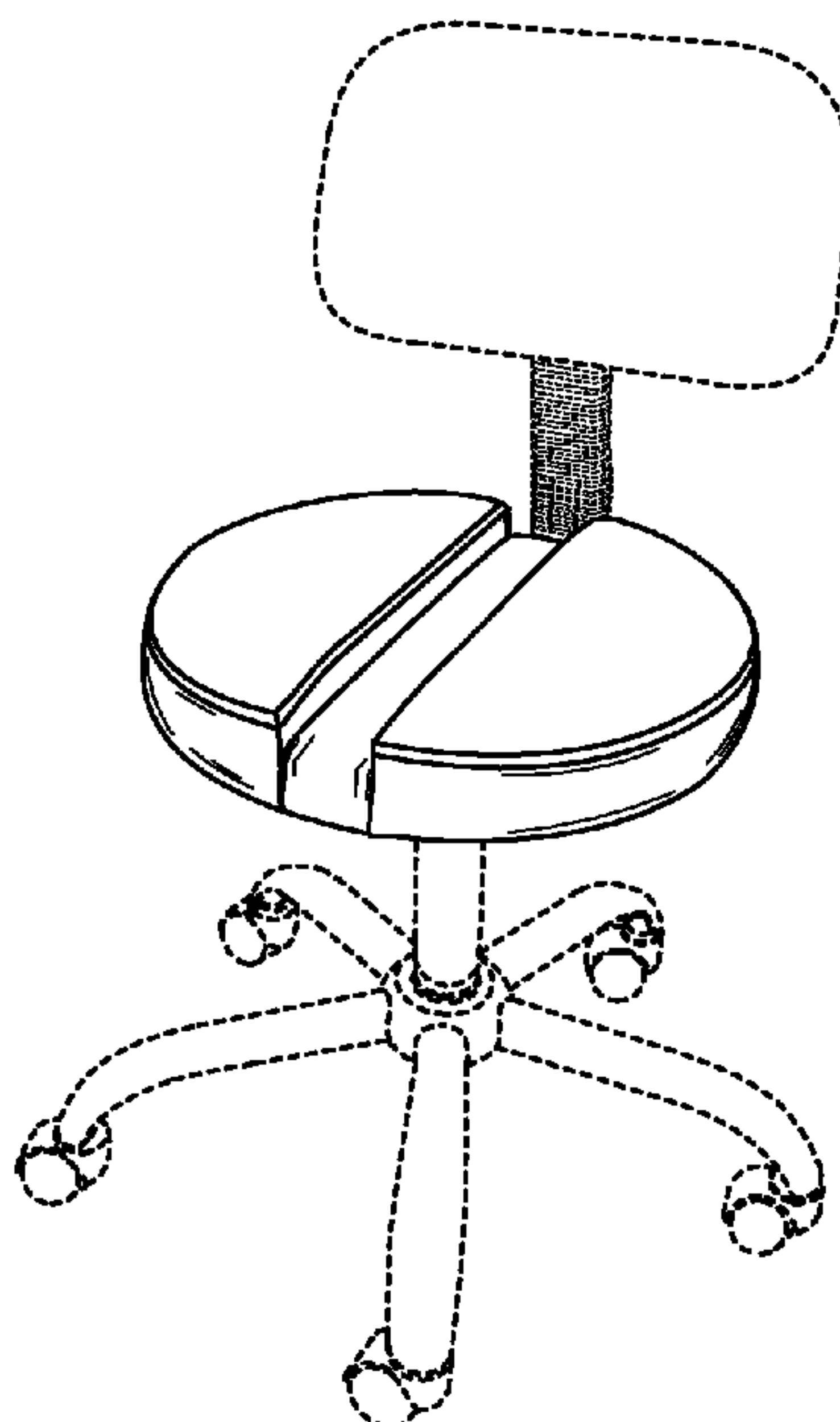
The broken lines are for illustrative purposes only and form no part of the claimed design.

(56) **References Cited**

U.S. PATENT DOCUMENTS

D110,708	S	*	8/1938	Nelson	.....	D6/502
2,356,507	A	*	8/1944	Cramer	.....	297/353
4,132,228	A		1/1979	Green		
D266,291	S	*	9/1982	Leffler et al.	.....	D6/366
4,429,918	A	*	2/1984	Alsup et al.	.....	297/353
D276,766	S	*	12/1984	Truette	.....	D6/366
D278,779	S		5/1985	Sink		
4,522,447	A		6/1985	Snyder		
4,571,763	A		2/1986	Suzuyama		
4,713,854	A		12/1987	Graebe		
4,824,174	A		4/1989	Dunn, Sr.		
5,395,162	A		3/1995	Jay		
D372,618	S	*	8/1996	Sulzer	.....	D6/500
5,580,128	A		12/1996	Johnson		
5,702,153	A		12/1997	Pliska		

**1 Claim, 4 Drawing Sheets**



# US D672,584 S

Page 2

## U.S. PATENT DOCUMENTS

6,523,202 B2 2/2003 Loomos  
6,523,897 B2 \* 2/2003 Pan ..... 297/302.1  
D485,455 S \* 1/2004 Petruccelli ..... D6/500  
6,672,660 B2 1/2004 Hoshino  
6,820,938 B2 11/2004 Barrett  
6,866,340 B1 3/2005 Robertshaw  
6,880,885 B2 4/2005 Lan  
7,216,388 B2 5/2007 Bieganeck  
7,344,196 B2 3/2008 Rodriquez  
7,416,253 B2 8/2008 Kim  
D586,592 S \* 2/2009 Petruccelli ..... D6/500  
7,802,853 B2 9/2010 Ebe

D661,132 S \* 6/2012 Hansen ..... D6/500  
D661,134 S \* 6/2012 Petruccelli ..... D6/500  
2002/0175553 A1 11/2002 Steifensand  
2006/0150338 A1 7/2006 Jackson, III  
2006/0185093 A1 8/2006 Yu  
2008/0265641 A1 10/2008 Kim  
2010/0078979 A1 4/2010 Nemoto  
2010/0301646 A1 12/2010 Chang

## FOREIGN PATENT DOCUMENTS

WO WO2004037945 5/2004  
WO WO2006134191 12/2006

\* cited by examiner

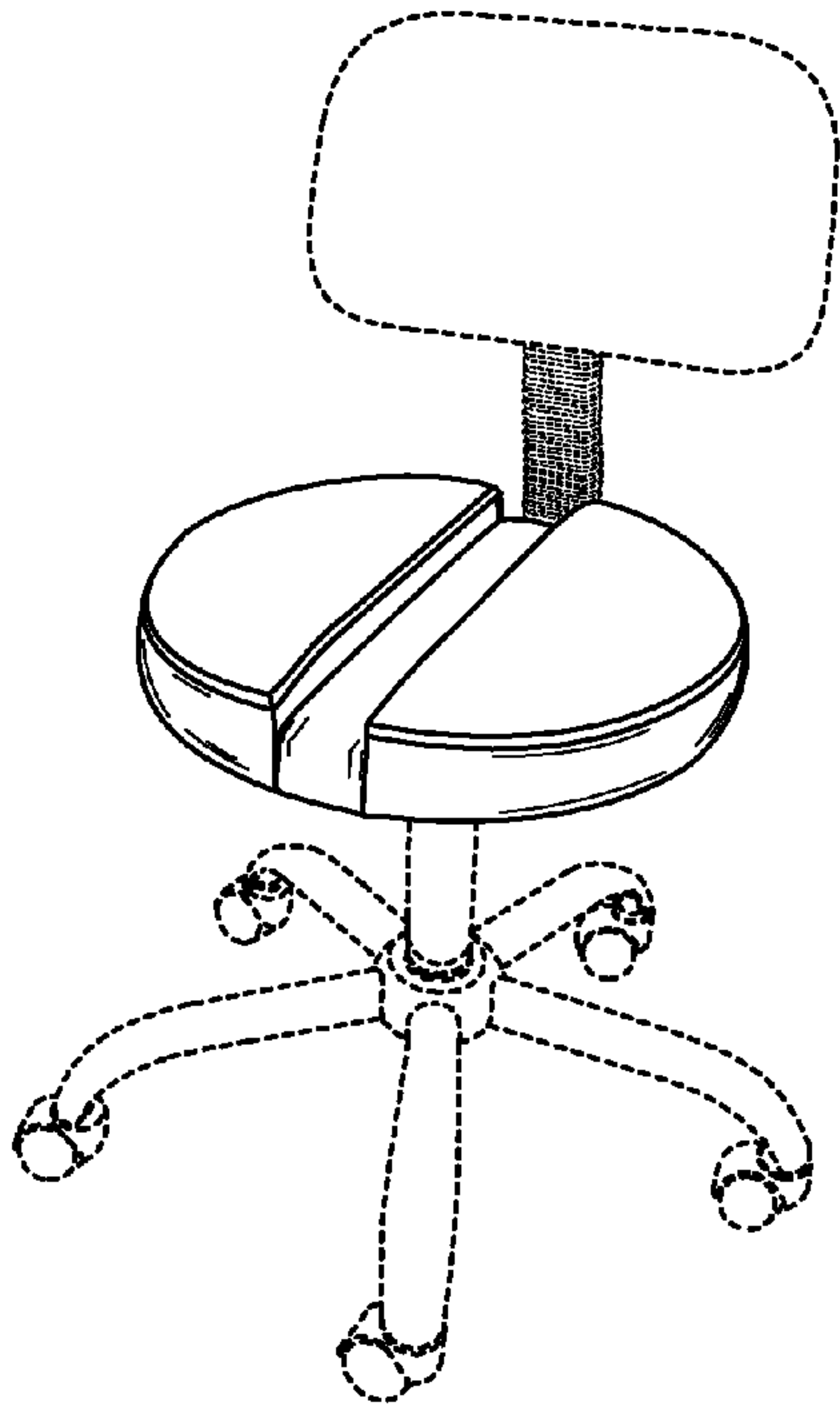


Fig. 1

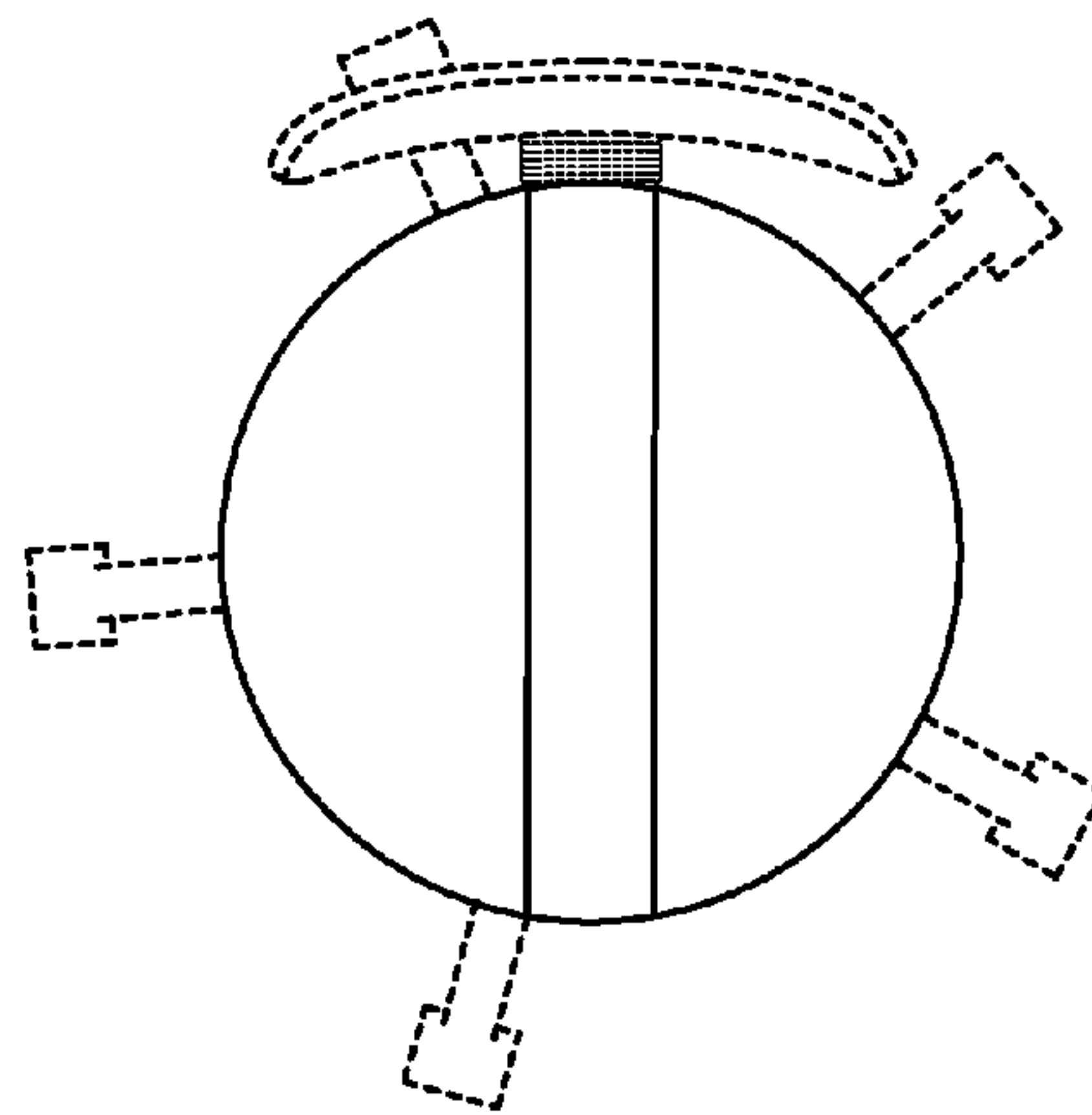


Fig. 2

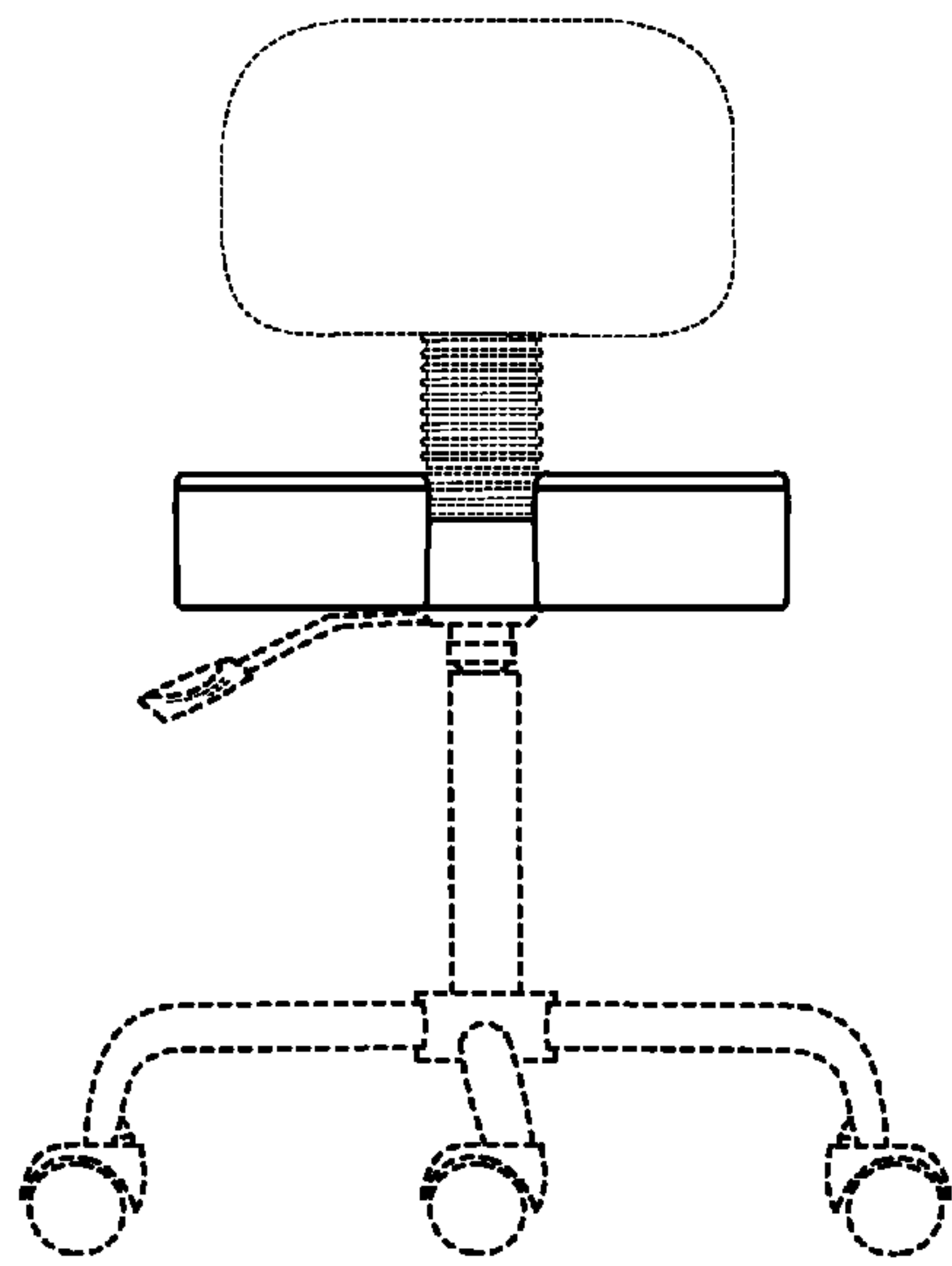


Fig. 3

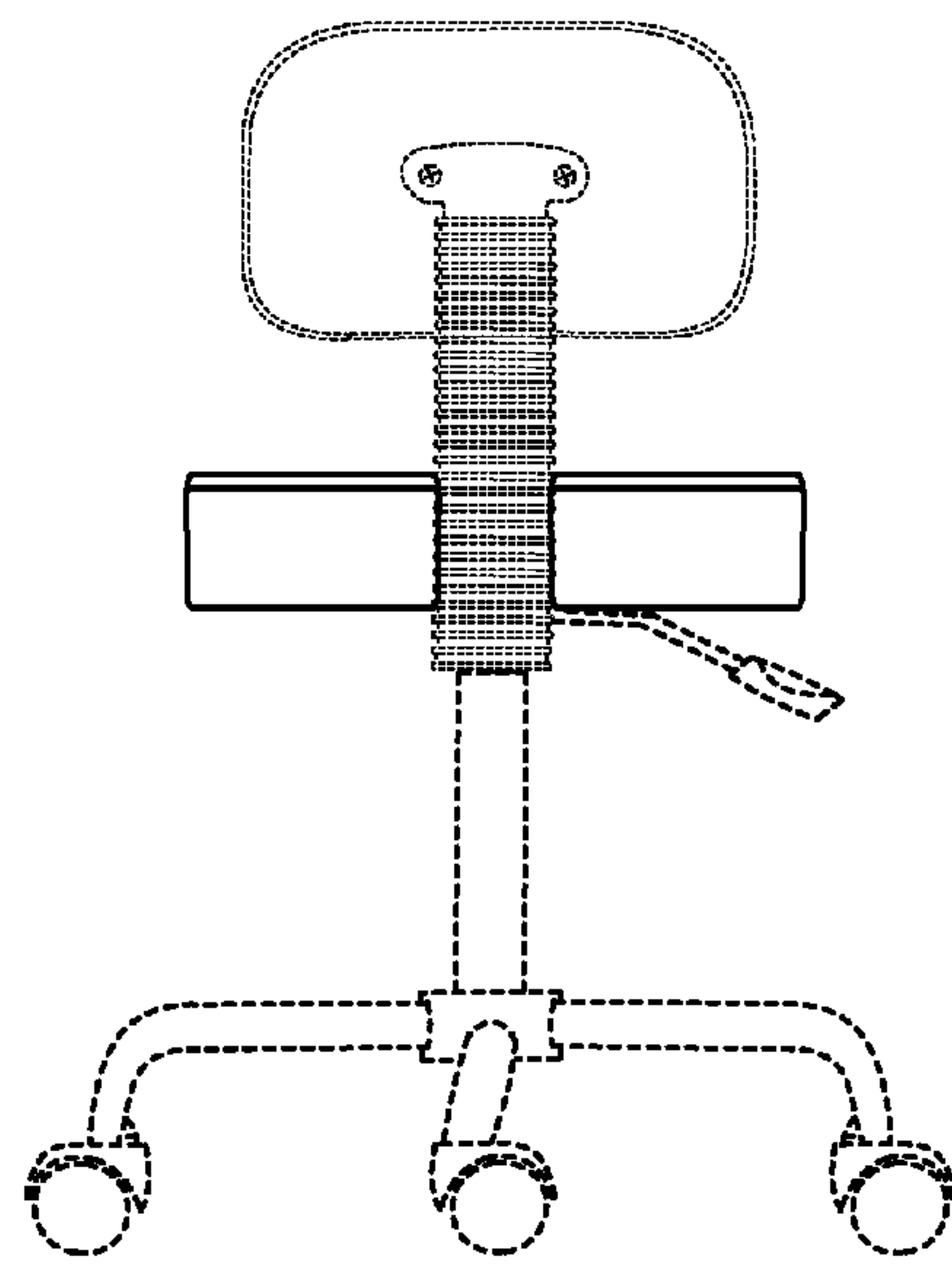


Fig. 4

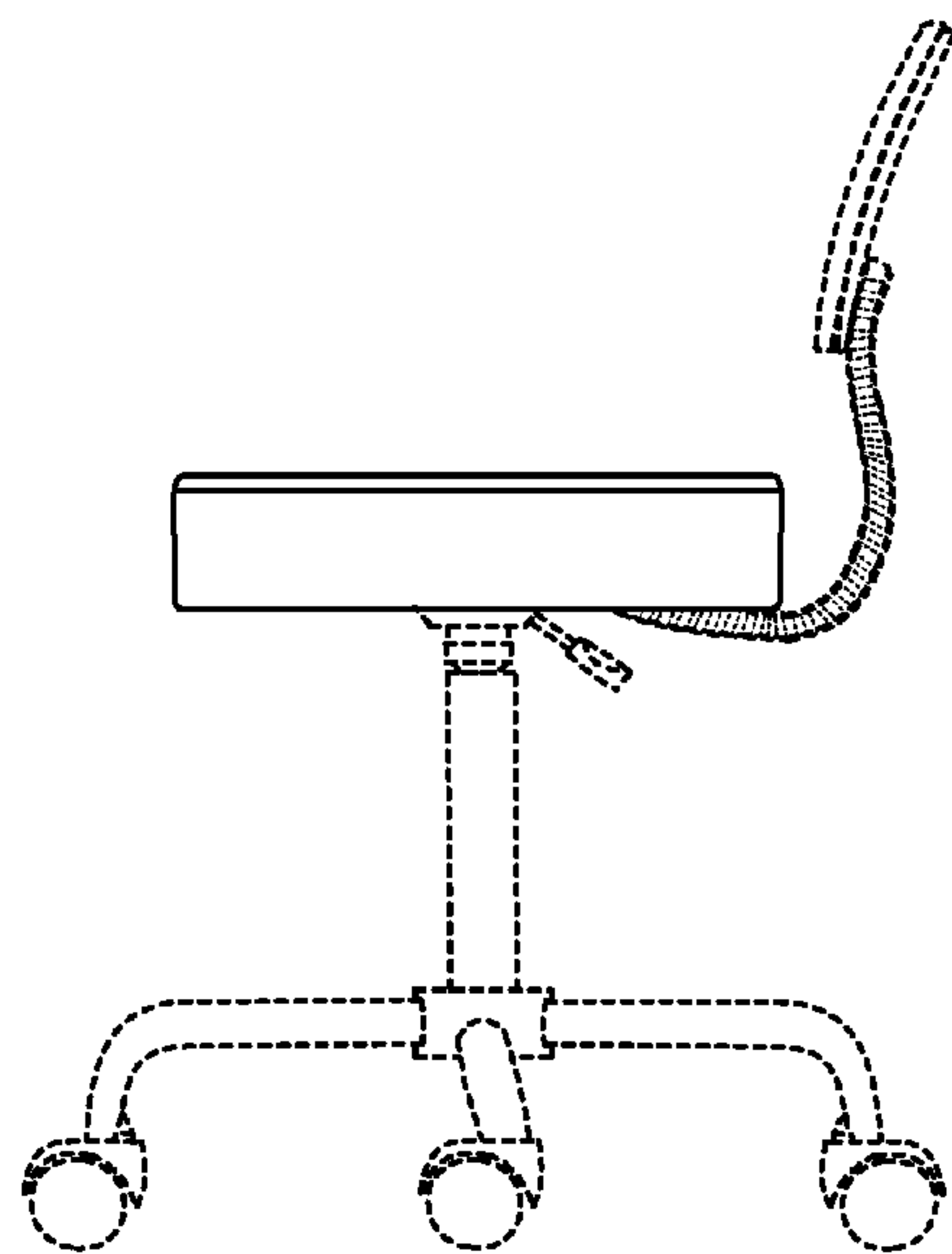


Fig. 5

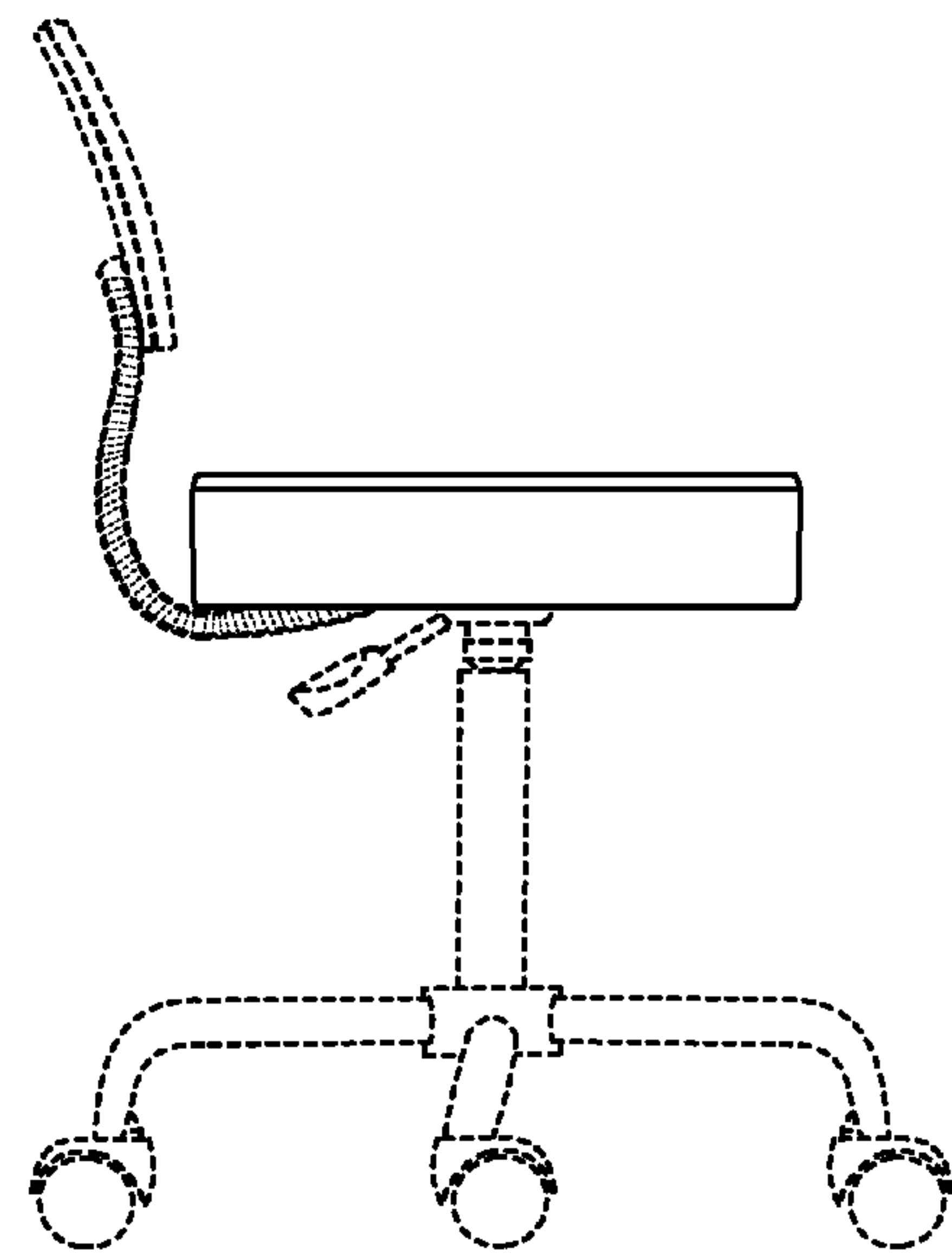


Fig. 6

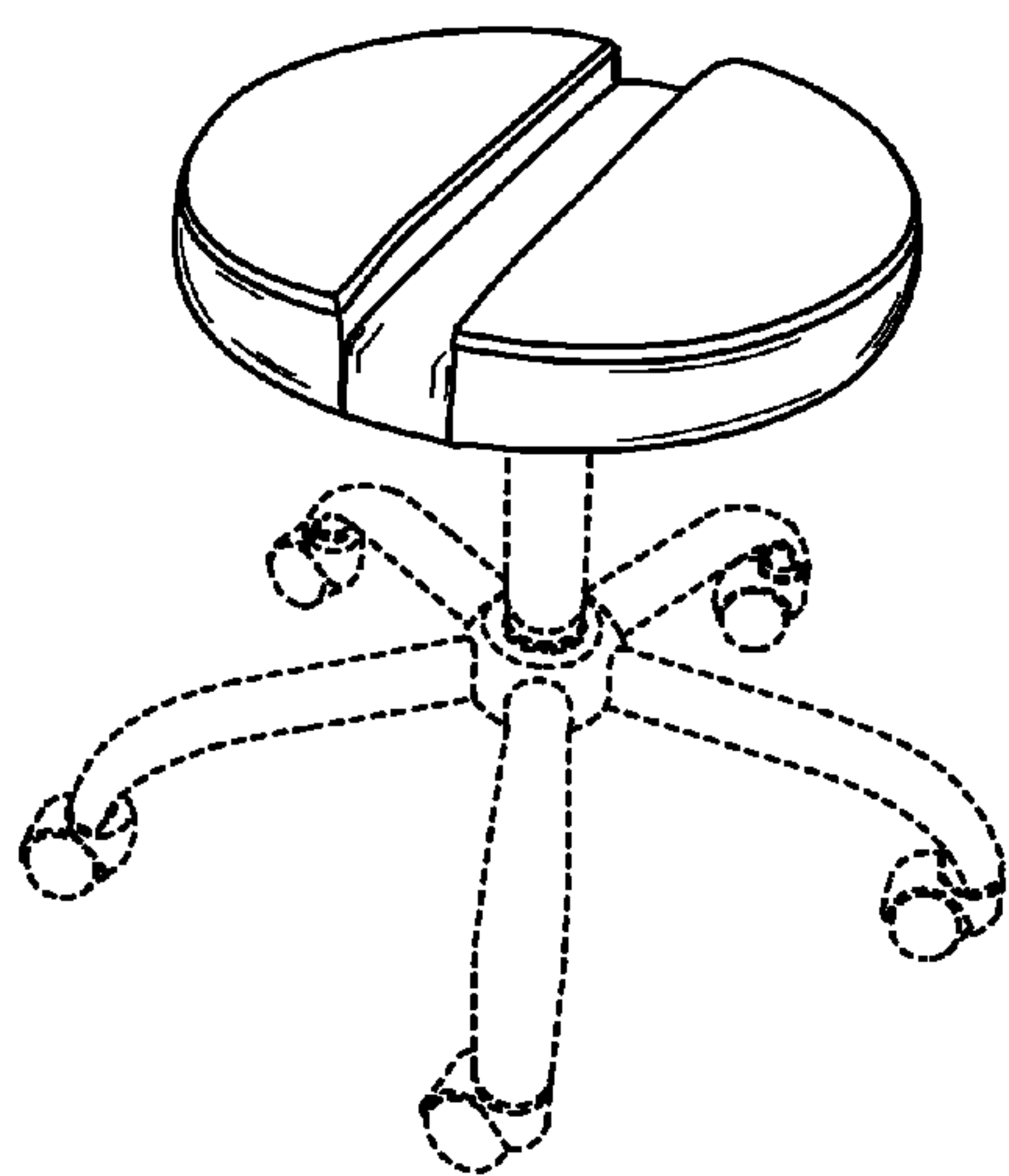


Fig. 7

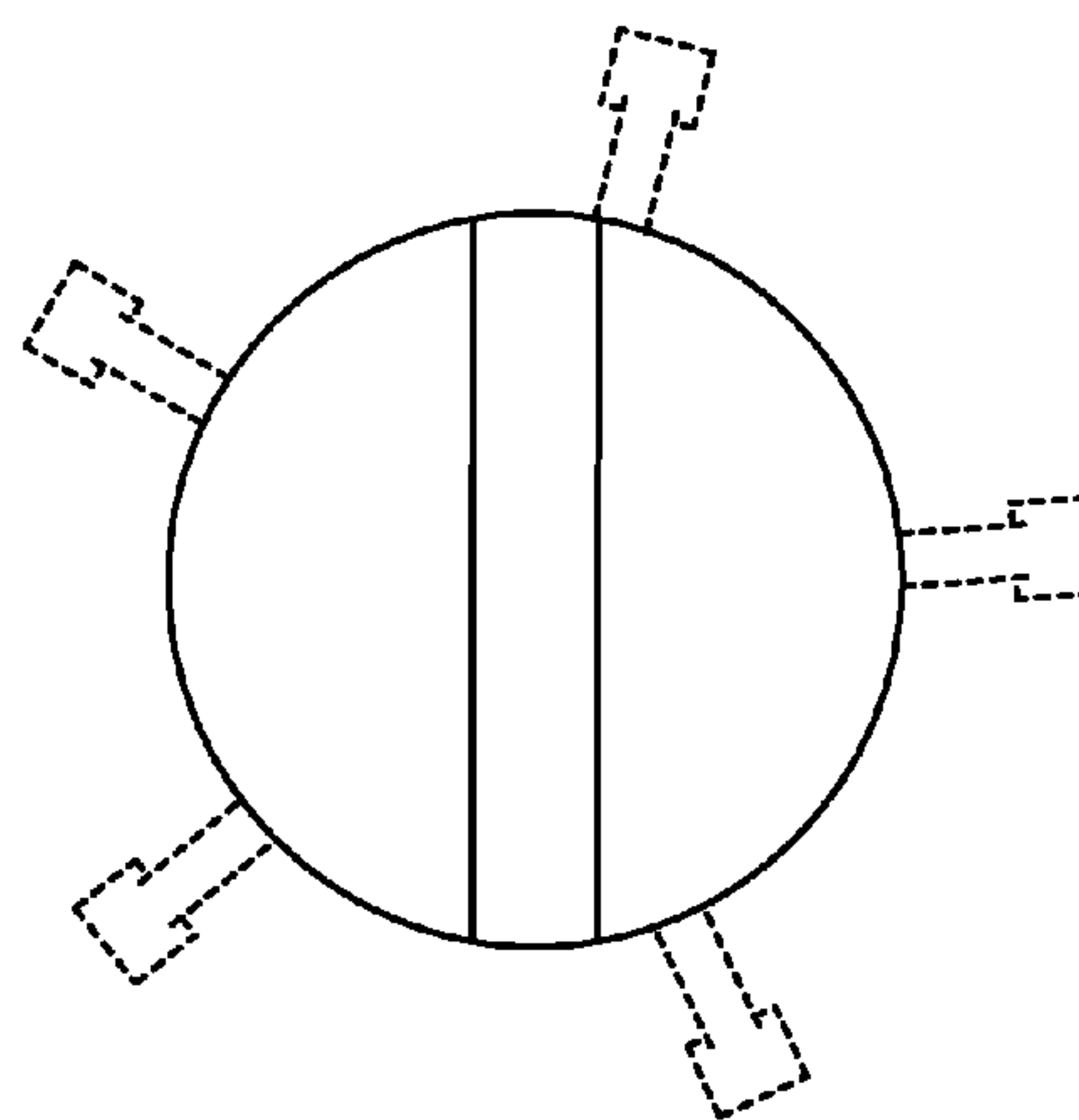


Fig. 8

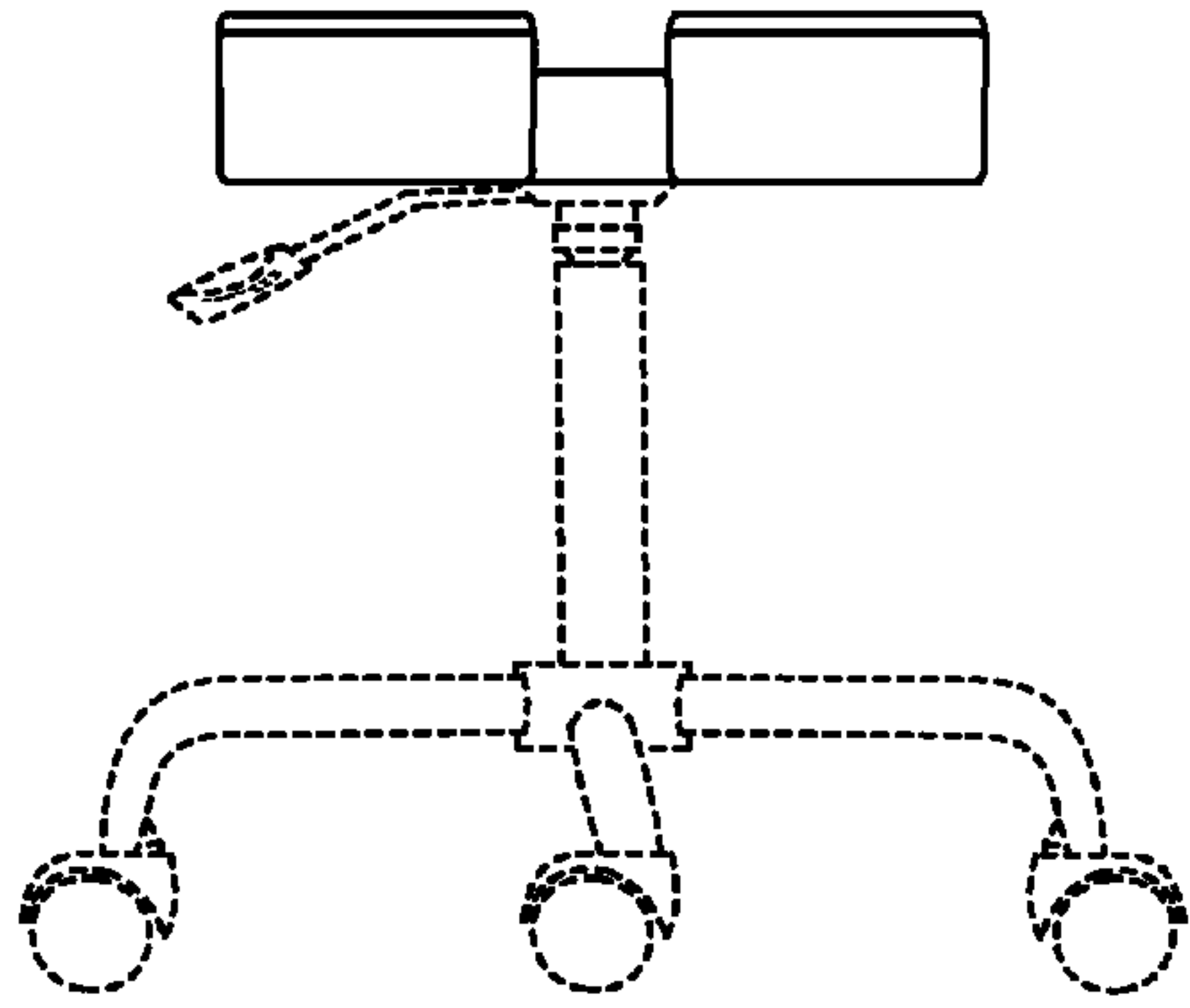


Fig. 9

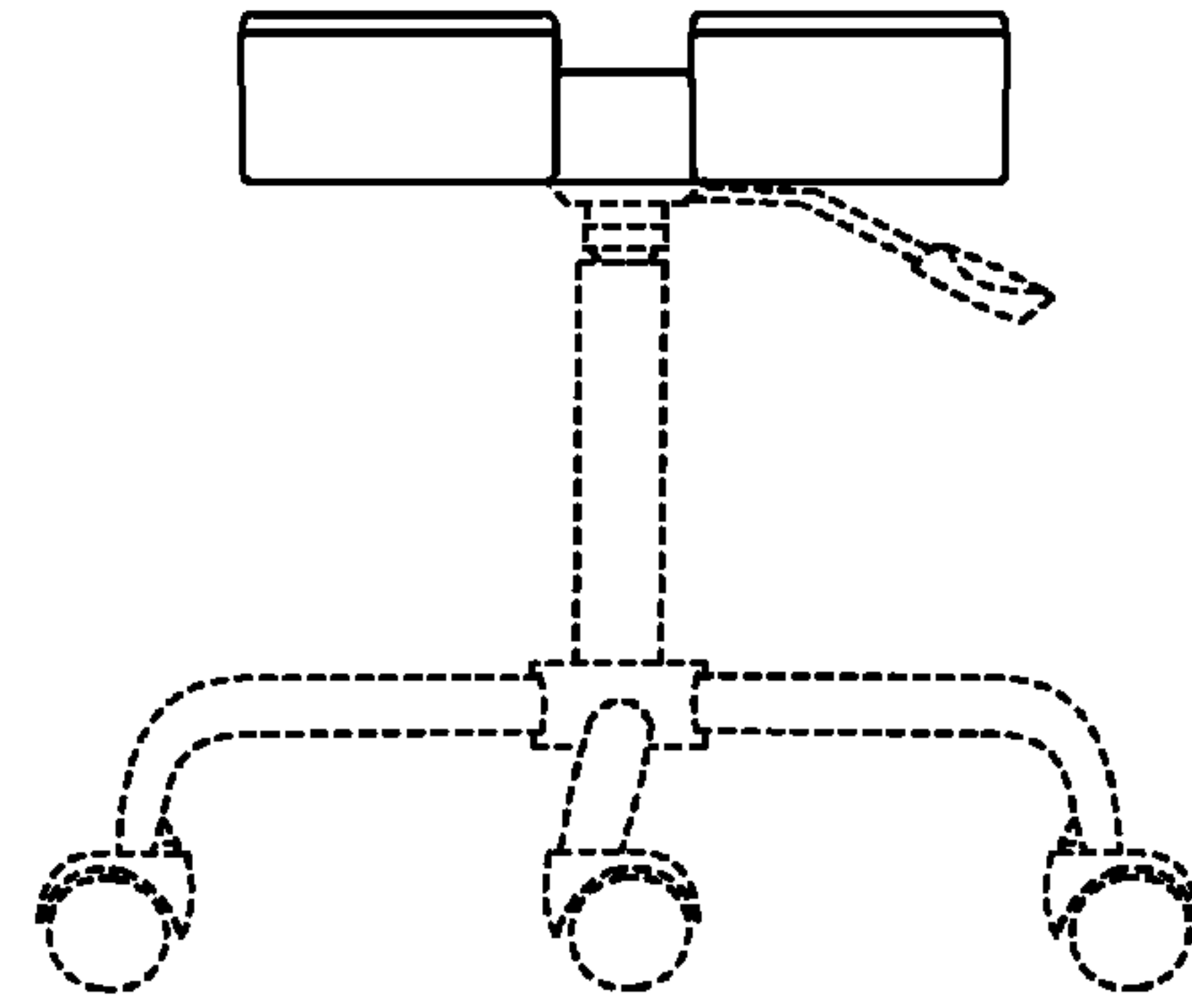


Fig. 10

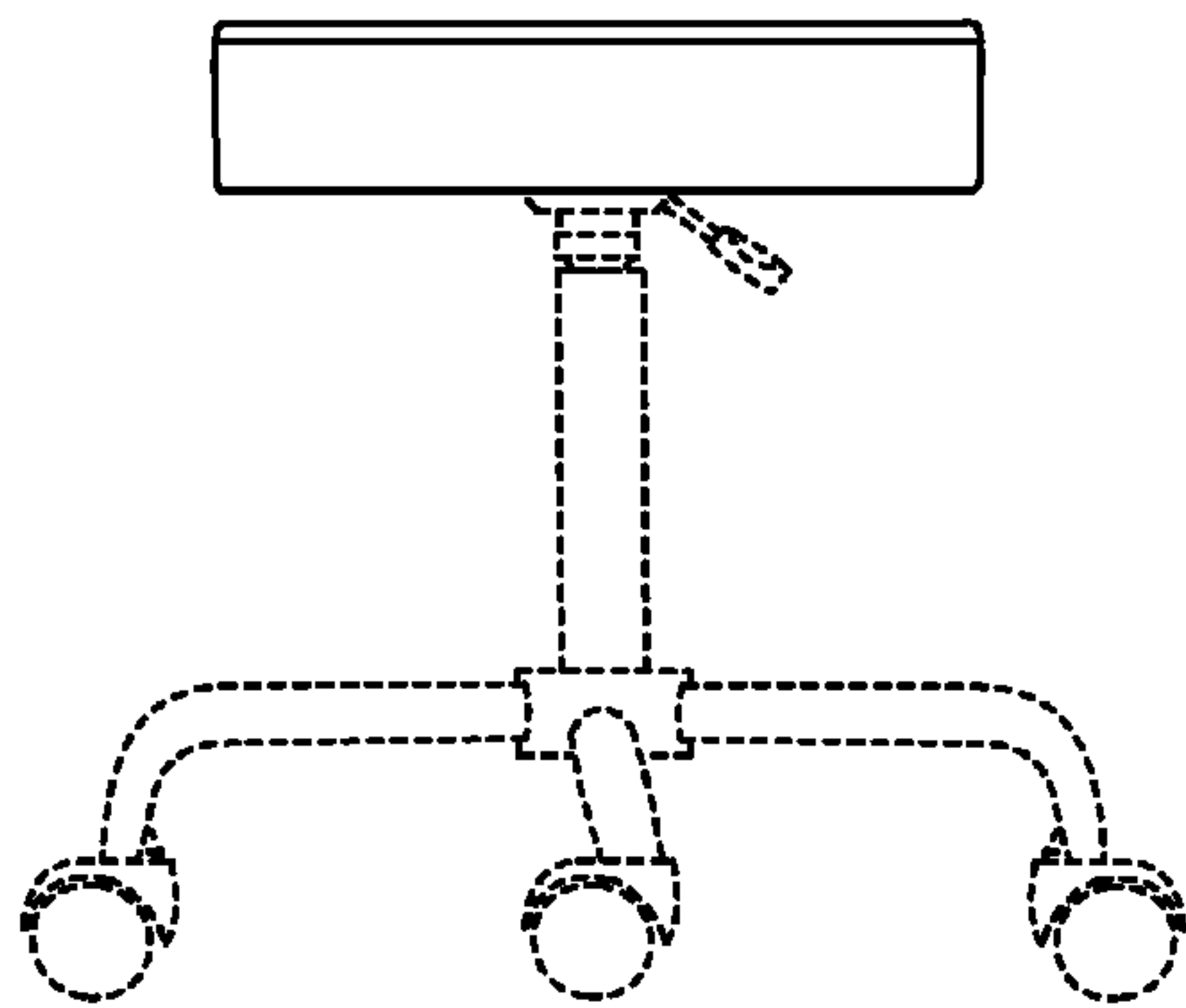


Fig. 11

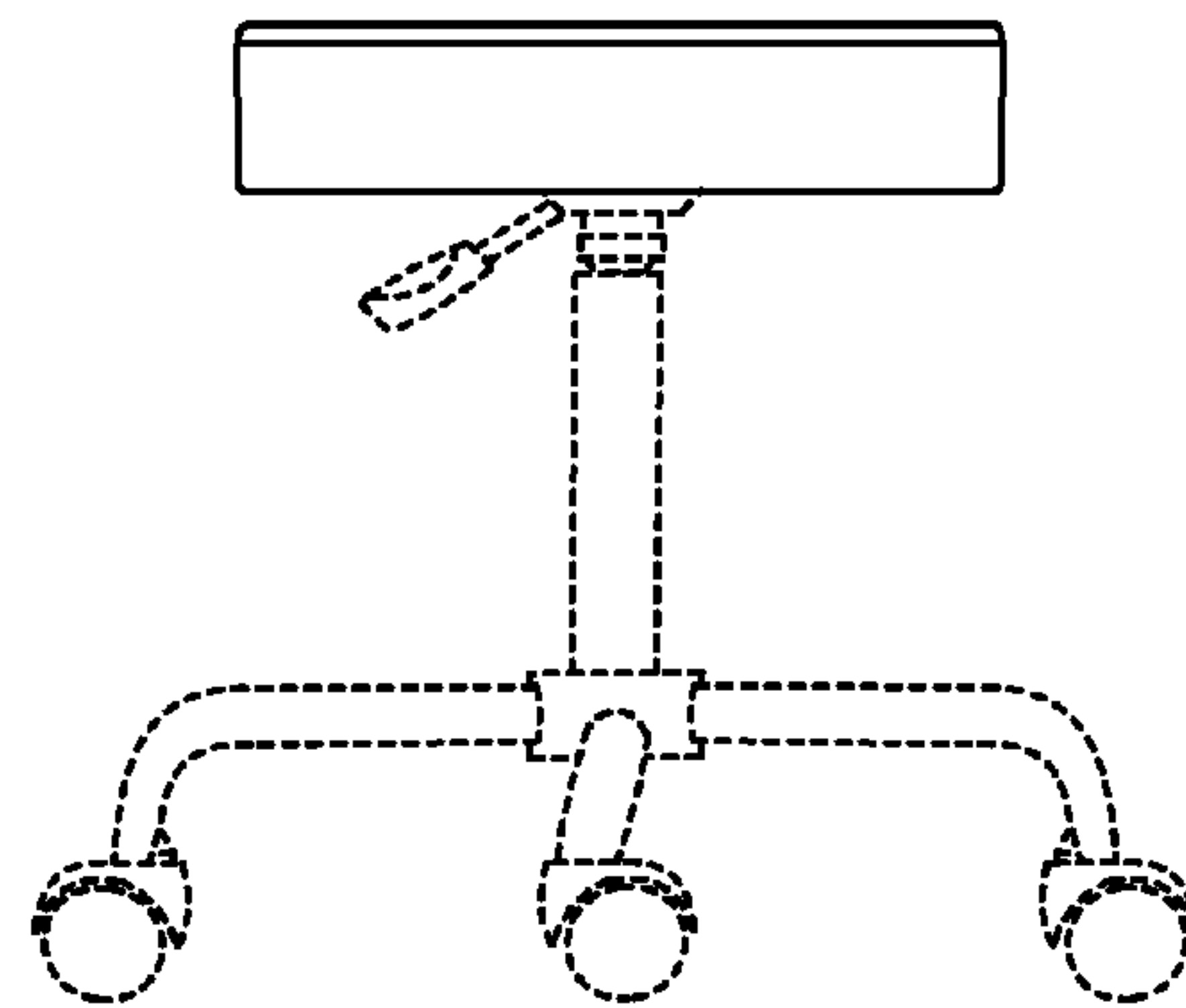


Fig. 12