



US00D672583S

(12) **United States Design Patent**
Karim

(10) **Patent No.:** **US D672,583 S**

(45) **Date of Patent:** **** Dec. 18, 2012**

(54) **FURNITURE FOR HAIRDRESSERS**

(75) Inventor: **Rashid Karim**, Castiglione D. Stiviere (IT)

(73) Assignee: **Gamma & Bross S.p.A.**, Castiglione D. Stiviere (IT)

(**) Term: **14 Years**

(21) Appl. No.: **29/425,926**

(22) Filed: **Jun. 28, 2012**

Related U.S. Application Data

(62) Division of application No. 29/315,845, filed on Jul. 29, 2009, now Pat. No. Des. 662,721.

Foreign Application Priority Data

Jan. 29, 2009 (EM) 1078836

(51) **LOC (9) Cl.** **06-01**

(52) **U.S. Cl.** **D6/500**

(58) **Field of Classification Search** D6/334, D6/335, 337, 349, 353, 380, 381, 500-502, D6/374, 364; 297/14, 43, 44, 118, 140, 245, 297/300.1, 311, 353, 354.1, 445.1, 446.1, 297/446.2, 447.4, 465, 900, DIG. 2, DIG. 7; 5/12.1, 12.2

See application file for complete search history.

(56) **References Cited**

U.S. PATENT DOCUMENTS

D93,004 S *	8/1934	Debski	D6/335
D95,671 S *	5/1935	Frankl	D6/335
D171,261 S *	1/1954	Koci	D21/306
D223,444 S	4/1972	Glaser		
D245,924 S	9/1977	Hansen		
D314,869 S	2/1991	Entratter		
4,995,603 A *	2/1991	Reed	472/60
D315,643 S	3/1991	Wade		
D317,650 S *	6/1991	Soder	D24/202
D329,150 S *	9/1992	Ball	D6/397
D342,165 S *	12/1993	Marshall et al.	D6/335
D346,070 S	4/1994	Kither		

D348,361 S	7/1994	Beecher		
D360,901 S *	8/1995	Slater	D21/326
D368,180 S *	3/1996	Ball	D6/397
D378,171 S *	2/1997	Liu	D6/368
D426,077 S *	6/2000	Streit	D6/335
D457,018 S *	5/2002	Park	D6/495
D459,448 S	6/2002	Minami		
6,503,212 B2 *	1/2003	Park	601/158
D472,720 S	4/2003	Cheng		
D489,189 S	5/2004	Cheng		
D500,212 S	12/2004	Potter		
D549,972 S	9/2007	Garcia		
D557,948 S	12/2007	Ng		
D561,903 S *	2/2008	Ton	D24/204
D569,135 S *	5/2008	Galati et al.	D6/495
D570,615 S *	6/2008	Harrison	D6/335
D583,576 S *	12/2008	Tran	D6/336
7,490,374 B2 *	2/2009	Fugate et al.	4/622
D589,285 S *	3/2009	Tran	D6/495
D615,326 S *	5/2010	Tran	D6/495
D623,428 S *	9/2010	Galati et al.	D6/336
D623,448 S *	9/2010	Galati et al.	D6/501
D626,360 S *	11/2010	Galati et al.	D6/500
D626,768 S *	11/2010	Galati et al.	D6/502
D627,075 S *	11/2010	Galati et al.	D24/204
2003/0146654 A1 *	8/2003	Nguyen et al.	297/463.2
2004/0007904 A1 *	1/2004	Lin et al.	297/184.1
2007/0226896 A1 *	10/2007	Fugate et al.	4/622

* cited by examiner

Primary Examiner — Sandra Snapp

(74) *Attorney, Agent, or Firm* — Frommer Lawrence & Haug LLP; Ronald R. Santucci

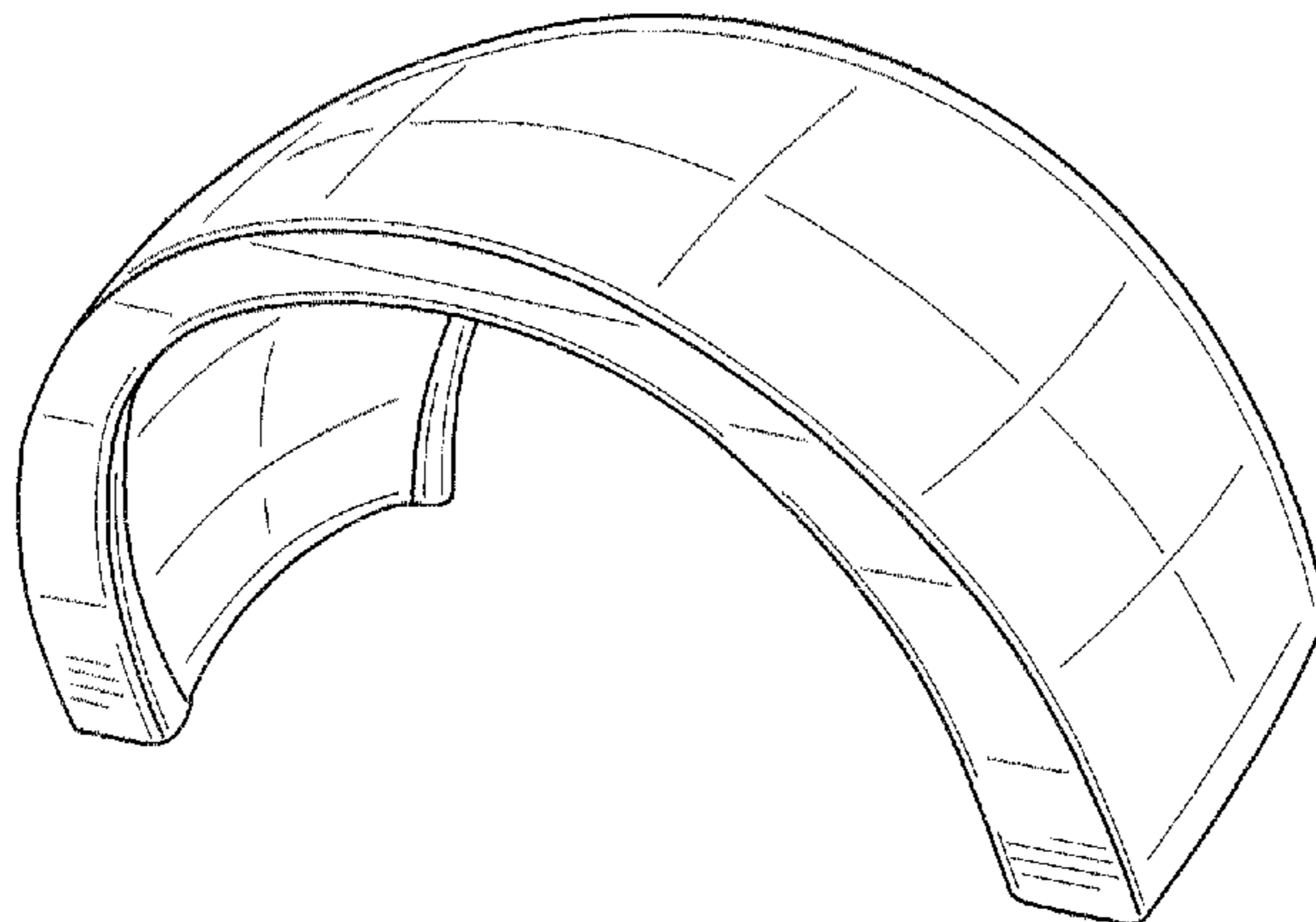
(57) **CLAIM**

The ornamental design for furniture for hairdressers, as shown and described.

DESCRIPTION

FIG. 1 is a perspective view of furniture for hairdressers; FIG. 2 is a front view thereof; FIG. 3 is a rear view thereof; FIG. 4 is a right side view thereof; FIG. 5 is a left side view thereof; FIG. 6 is a top view thereof; and, FIG. 7 is a bottom view thereof.

1 Claim, 7 Drawing Sheets



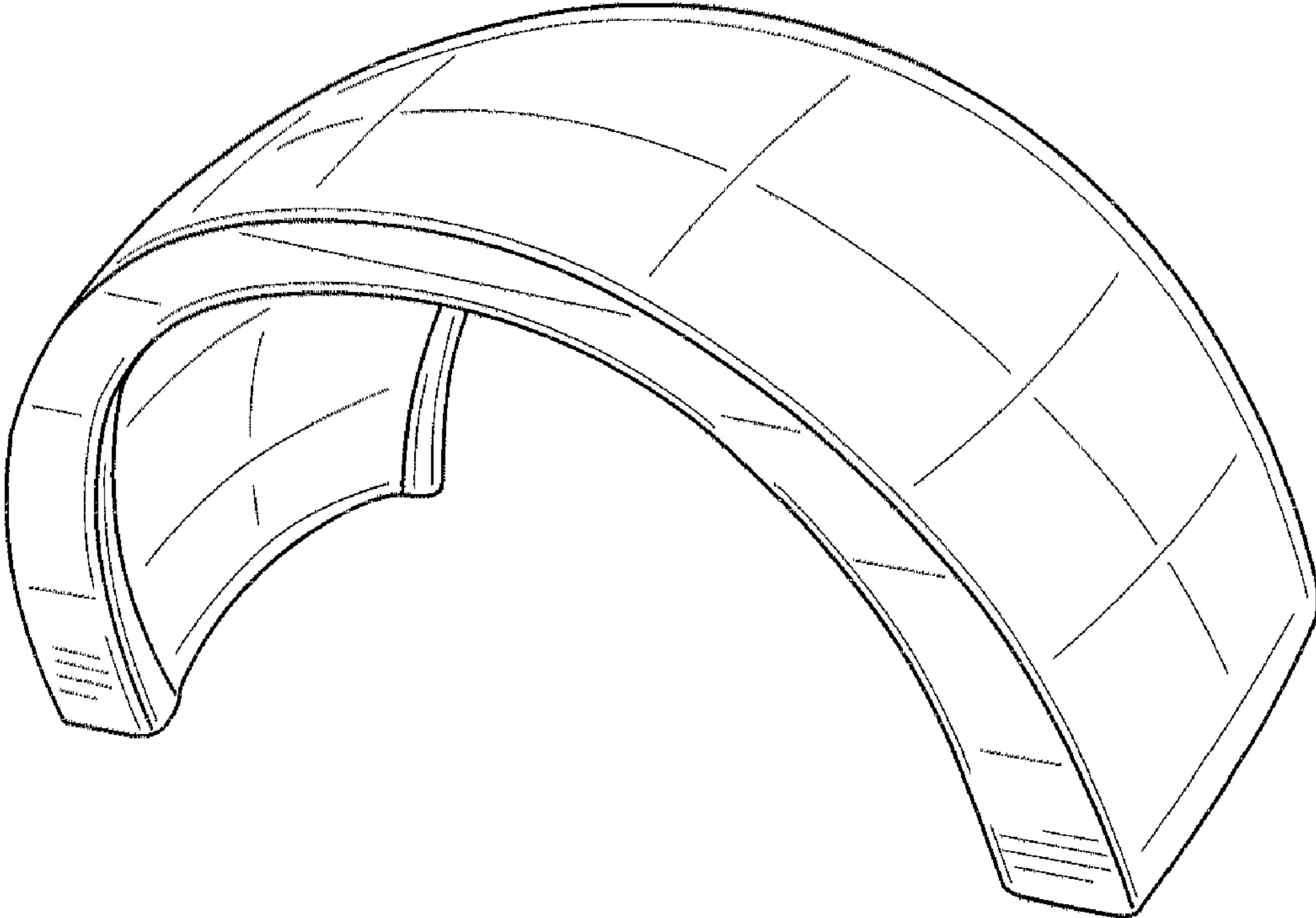


FIG. 1

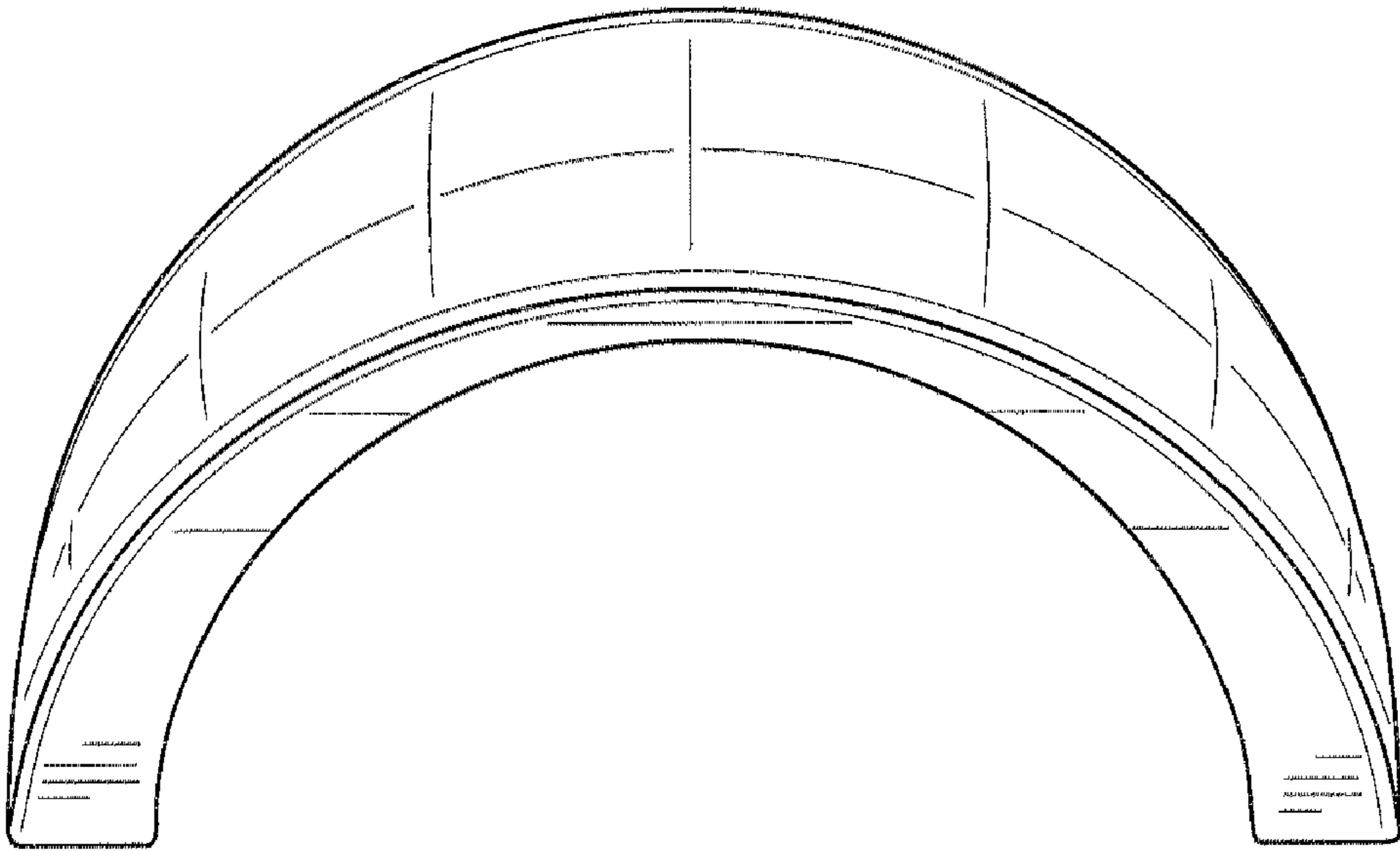


FIG. 2

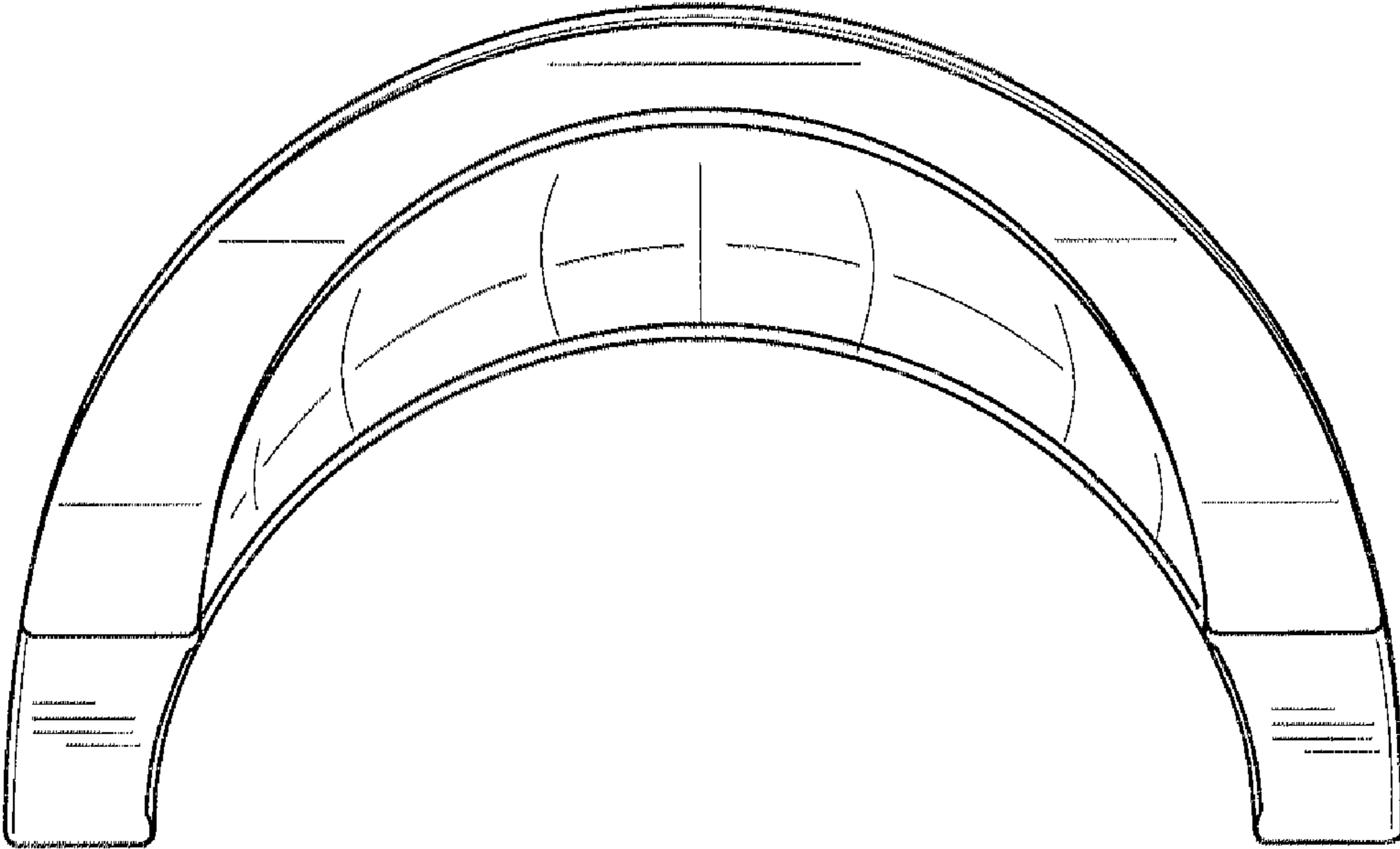


FIG. 3

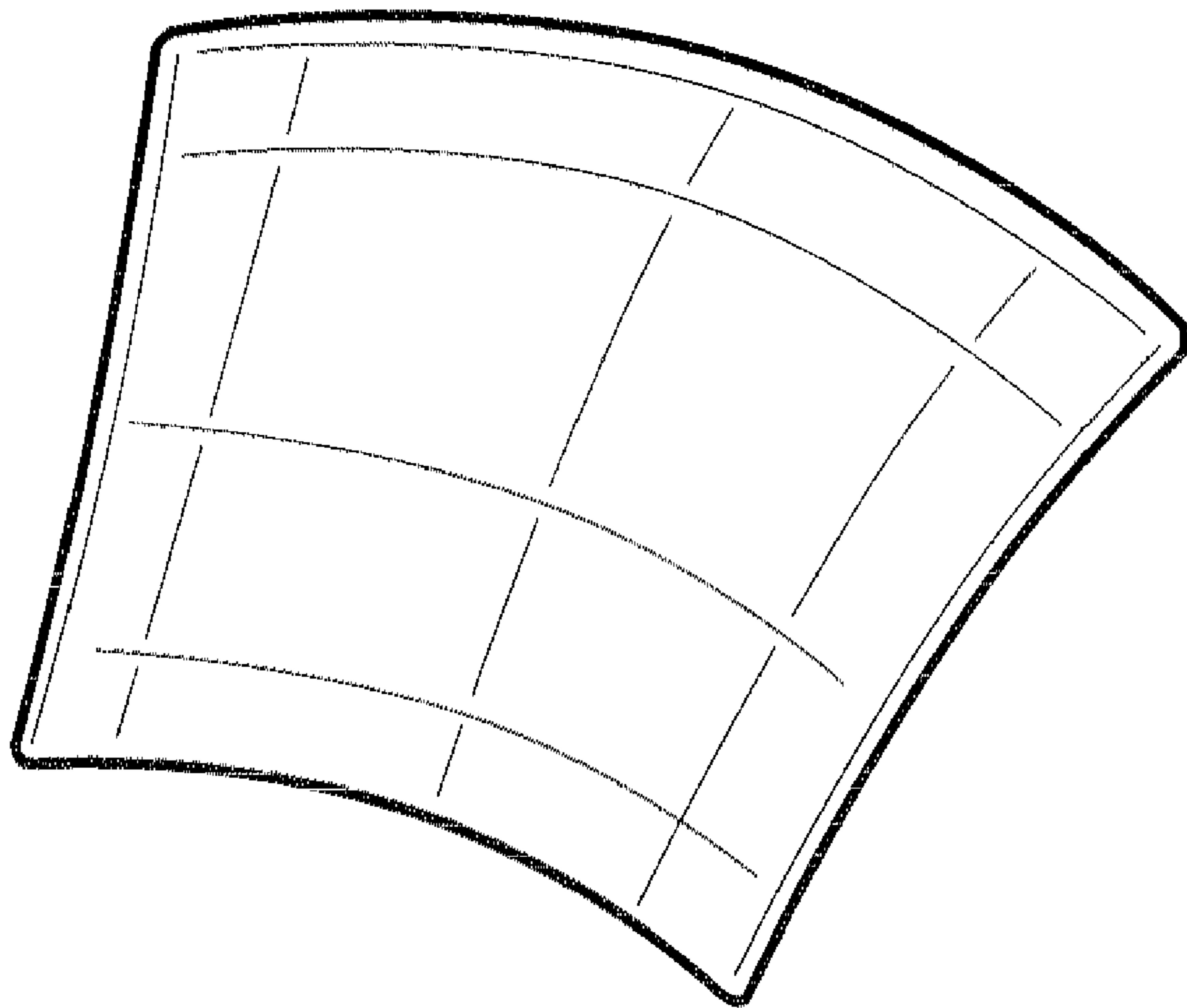


FIG. 4

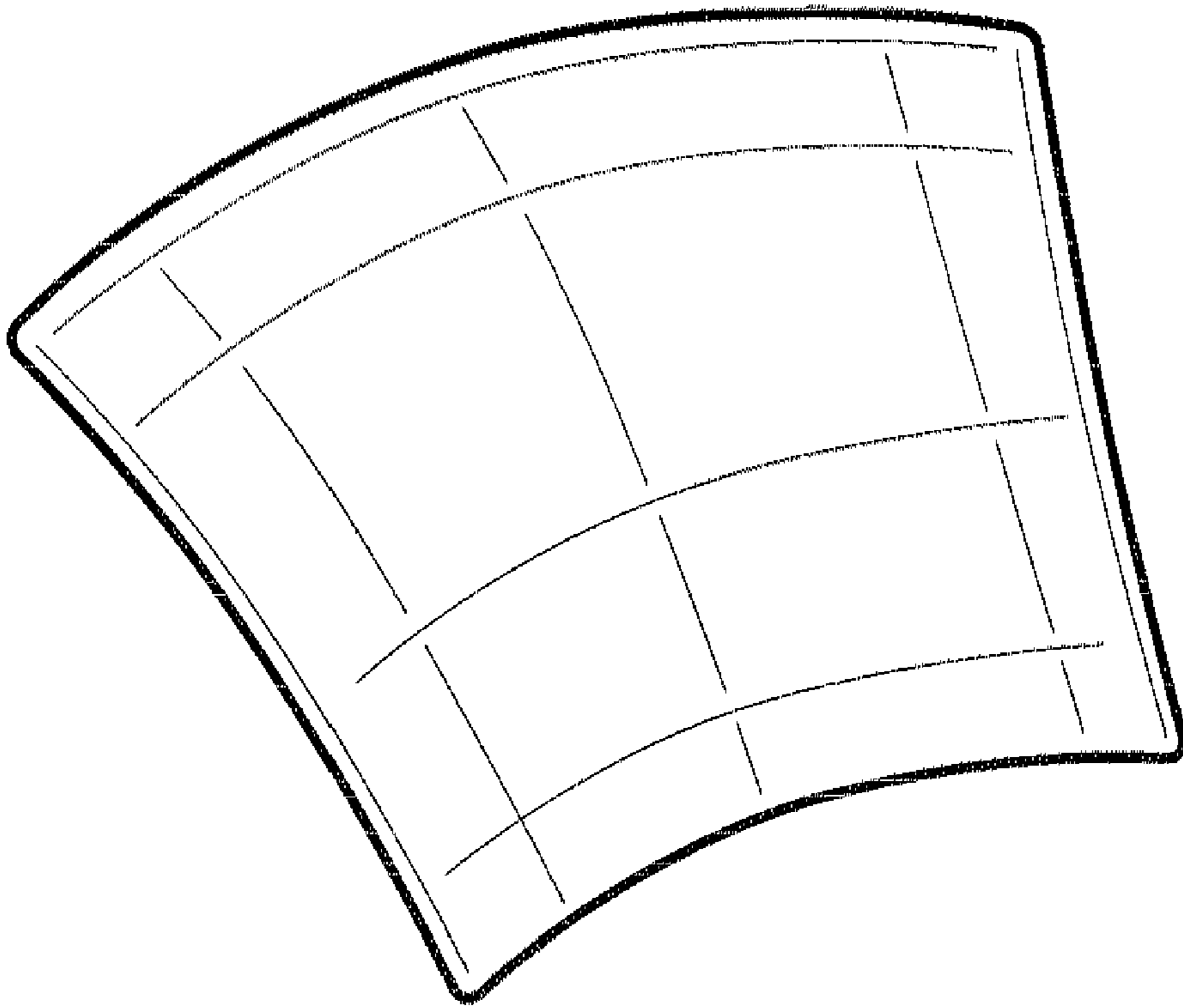


FIG. 5

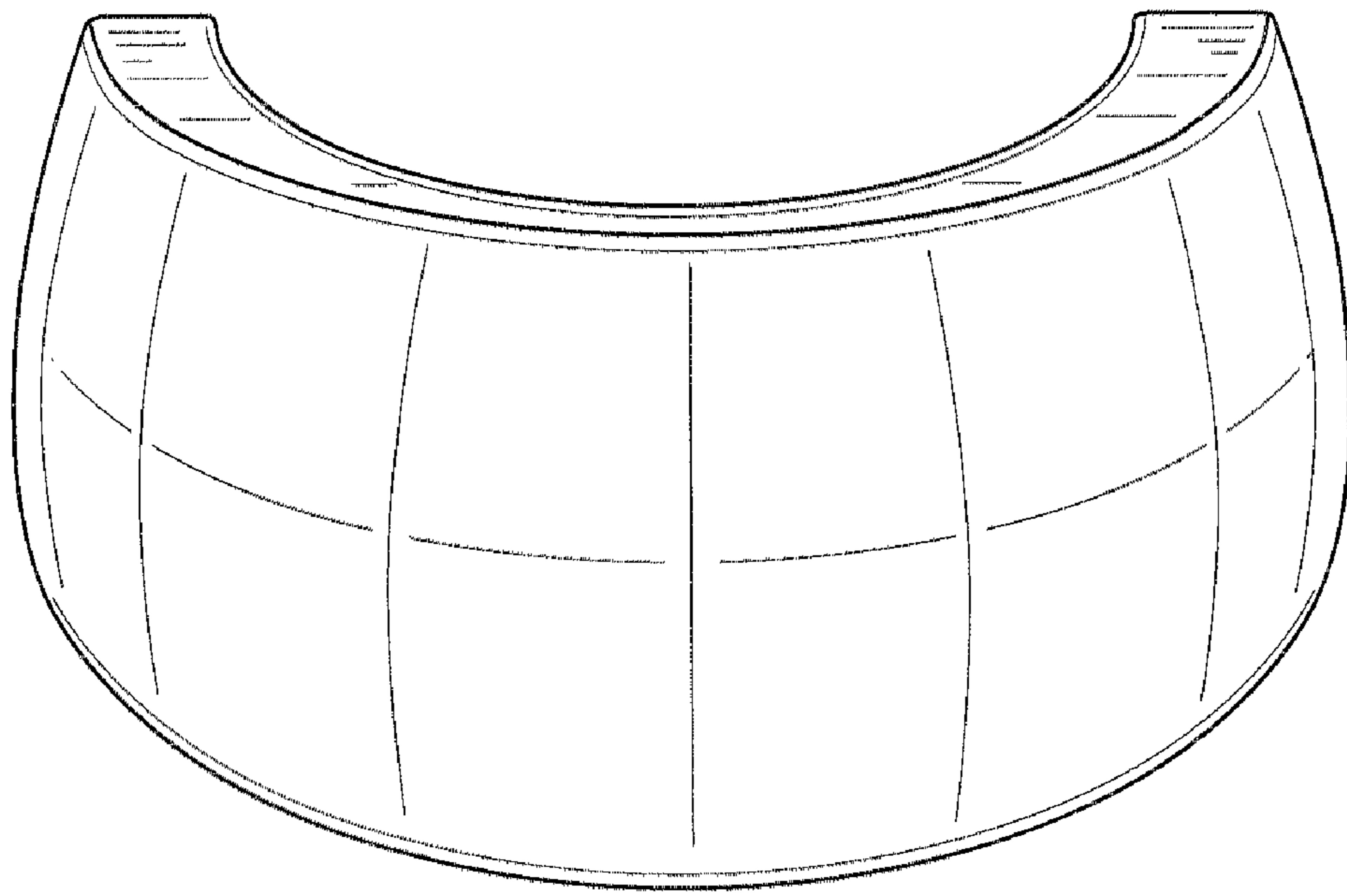


FIG. 6

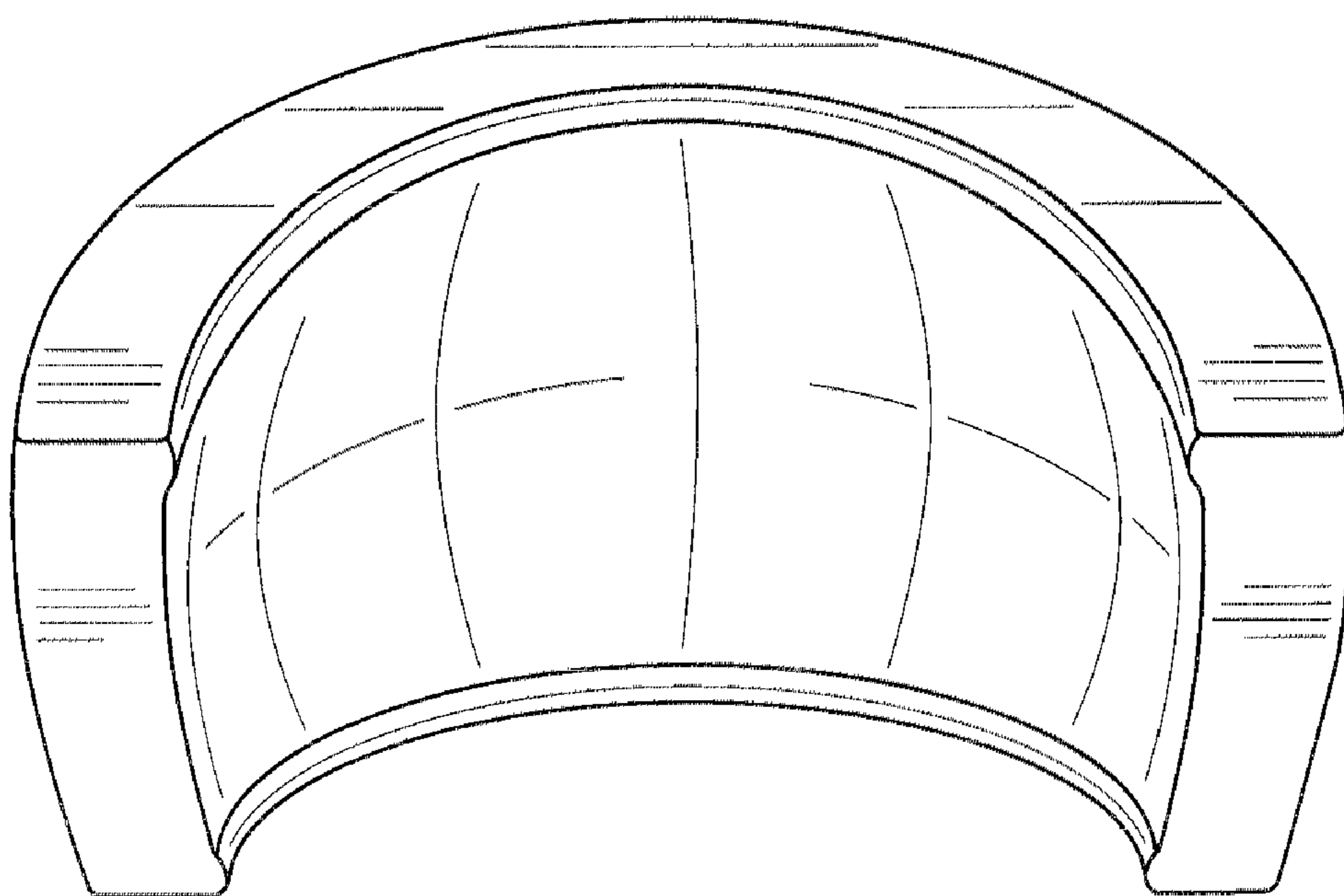


FIG. 7