



US00D672581S

(12) **United States Design Patent**  
**Piretti**

(10) **Patent No.:** **US D672,581 S**  
(45) **Date of Patent:** **\*\* Dec. 18, 2012**

(54) **CHAIR**

(75) Inventor: **Giancarlo Piretti**, Bologna (IT)

(73) Assignee: **Pro-Cord S.p.A.**, Bologna (IT)

(\*\*) Term: **14 Years**

(21) Appl. No.: **29/423,284**

(22) Filed: **May 30, 2012**

(51) **LOC (9) Cl.** ..... **06-01**

(52) **U.S. Cl.** ..... **D6/500; D6/376; D6/380**

(58) **Field of Classification Search** ..... D6/334-336,  
D6/371-373, 374, 376, 379, 380, 500-502;  
297/239, 445.1, 446.1, 452.18, 452.2, 452.21,  
297/452.29, 452.46

See application file for complete search history.

(56) **References Cited**

**U.S. PATENT DOCUMENTS**

D515,331 S *	2/2006	Piretti	.....	D6/380
D594,669 S *	6/2009	Asano	.....	D6/376
D600,935 S *	9/2009	Koh	.....	D6/376
D610,824 S	3/2010	Piretti		
7,686,395 B2	3/2010	Piretti		
D637,838 S *	5/2011	Piretti	.....	D6/500
D637,839 S *	5/2011	Piretti	.....	D6/500
D638,641 S *	5/2011	Piretti	.....	D6/500

D642,819 S	8/2011	Piretti		
D643,652 S	8/2011	Piretti		
D648,968 S	11/2011	Piretti et al.		
D650,616 S	12/2011	Piretti		
D664,786 S *	8/2012	Keller et al.	.....	D6/376

\* cited by examiner

*Primary Examiner* — Mimoso De

(74) *Attorney, Agent, or Firm* — Andrus, Scales, Starke & Sawall, LLP

(57) **CLAIM**

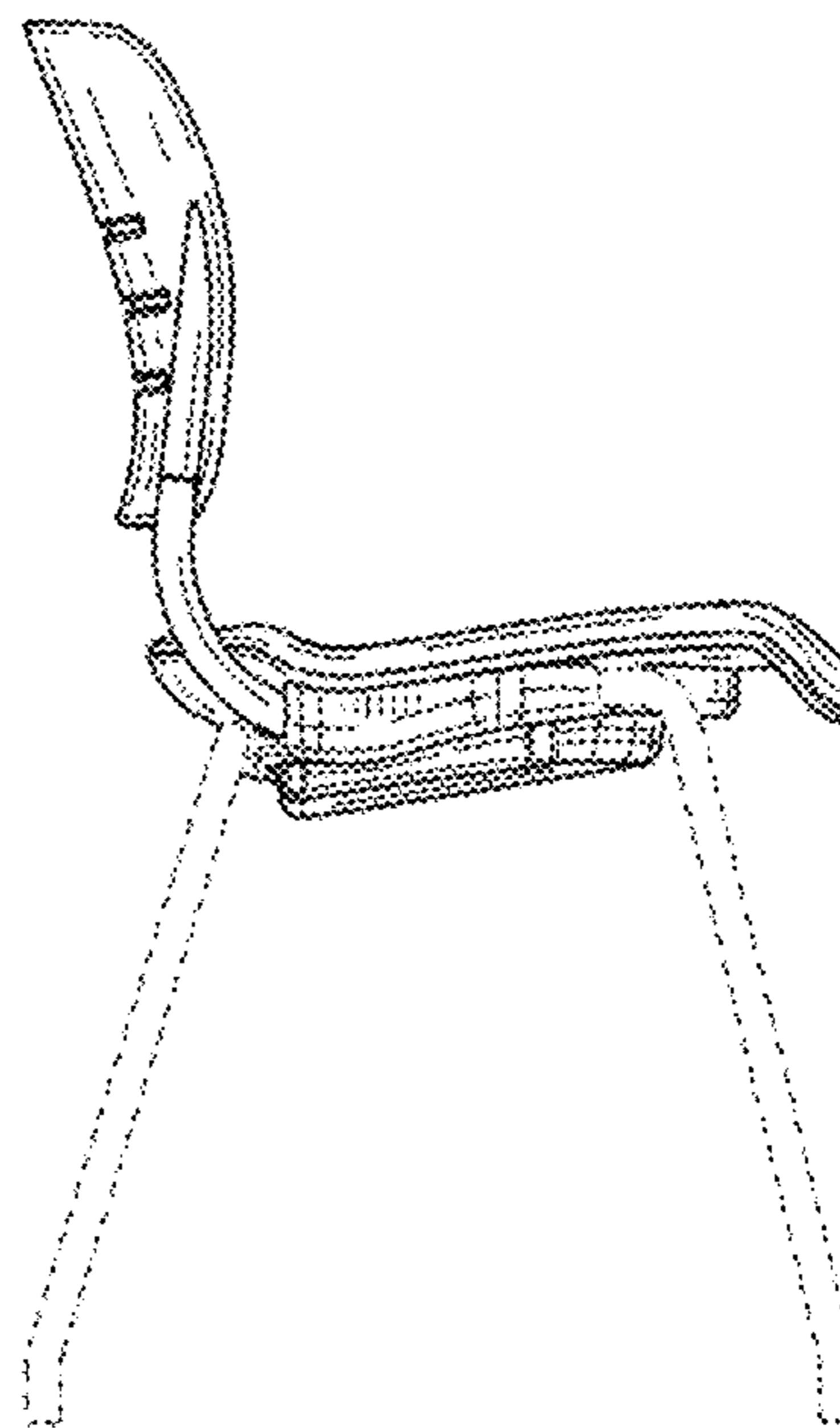
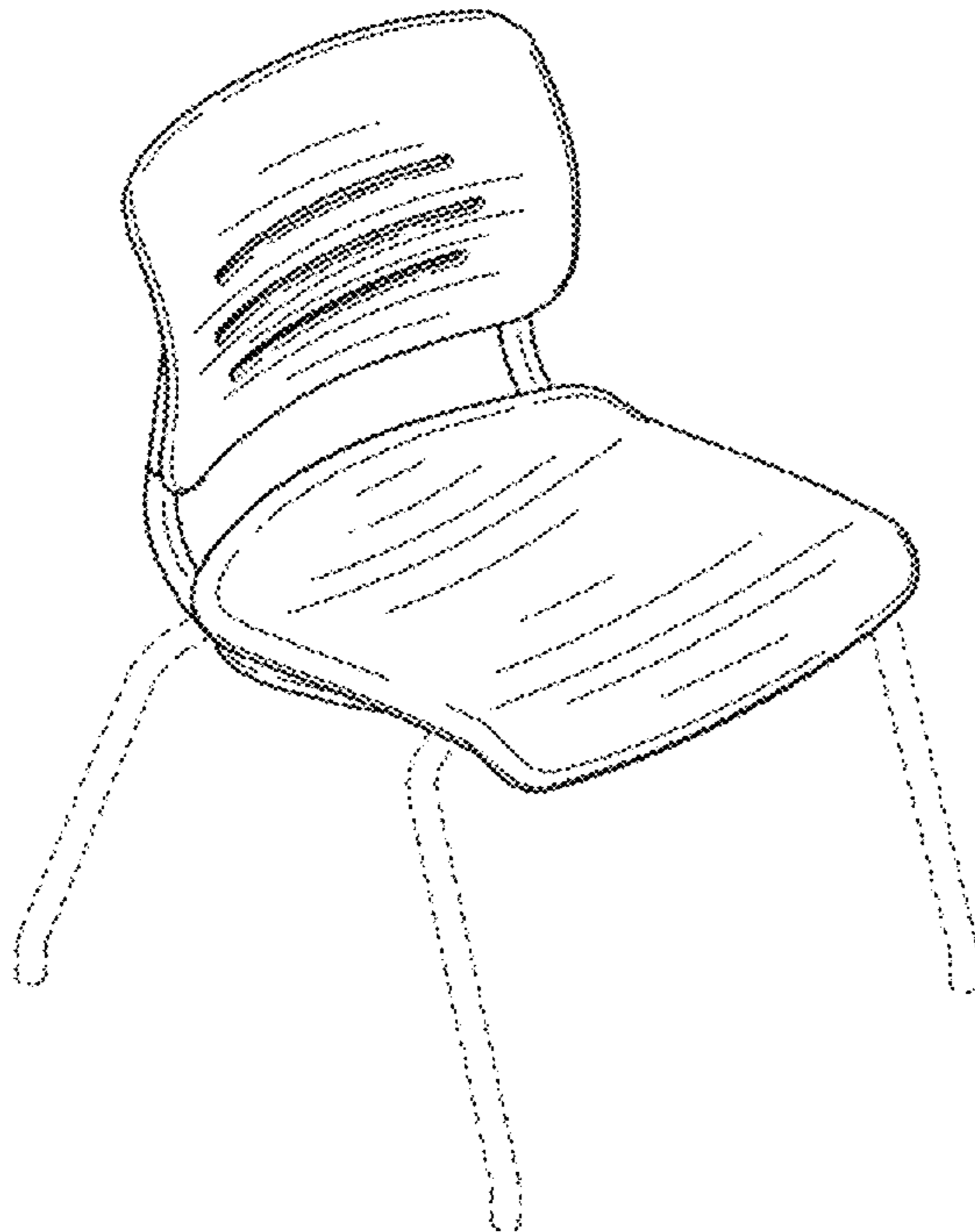
The ornamental design for a chair, as shown and described.

**DESCRIPTION**

FIG. 1 is an isometric view of a chair;  
 FIG. 2 is a right side view thereof, wherein the left side view is a mirror image;  
 FIG. 3 is a front view thereof;  
 FIG. 4 is a back view thereof;  
 FIG. 5 is a top view thereof;  
 FIG. 6 is an isometric view of an alternate embodiment of the chair;  
 FIG. 7 is a right side view of the embodiment shown in FIG. 6, wherein the left side view is a mirror image; and,  
 FIG. 8 is a front view thereof.

The broken lines shown in the drawing Figures are meant to illustrate environment and form no part of the claimed design.

**1 Claim, 5 Drawing Sheets**



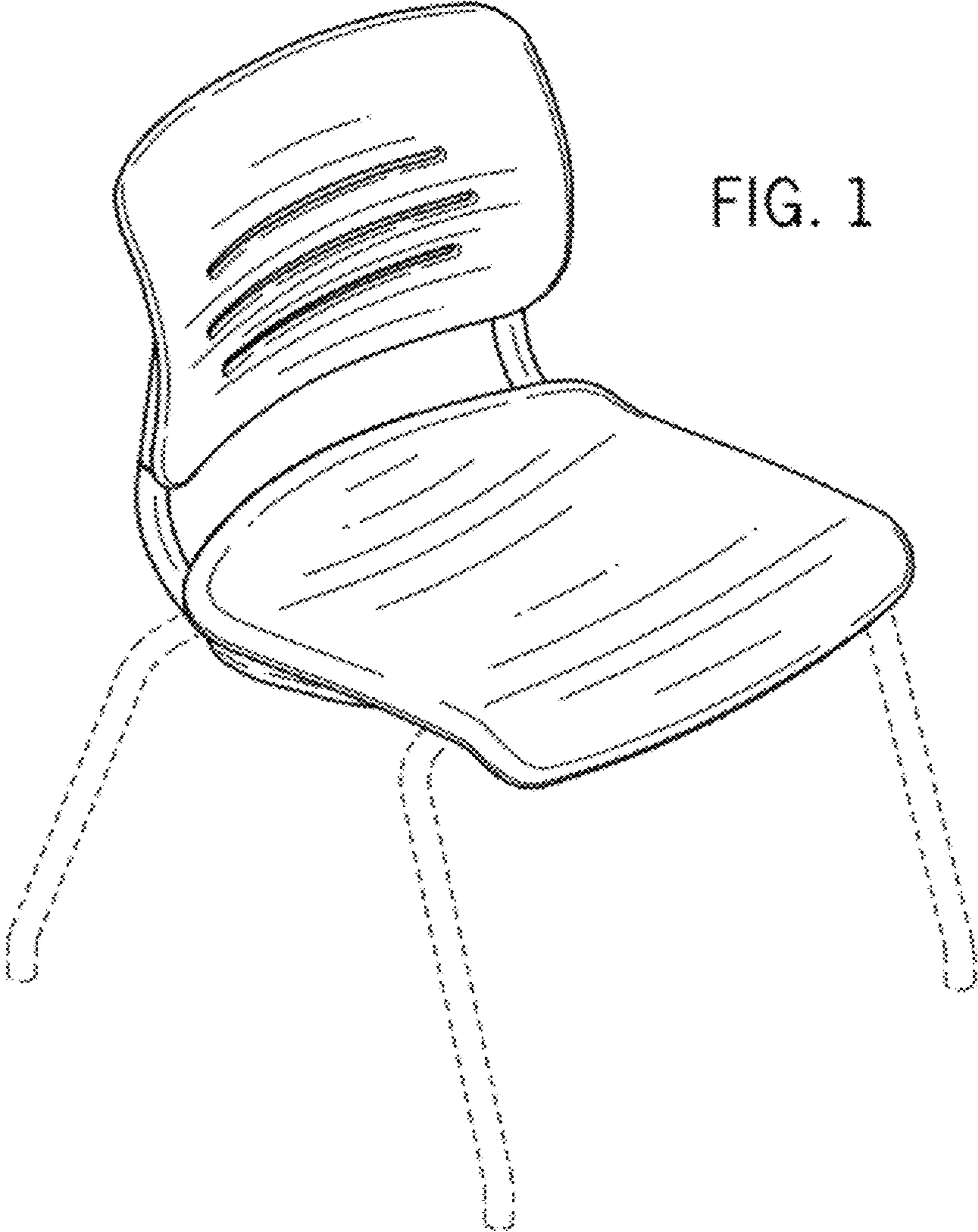


FIG. 1

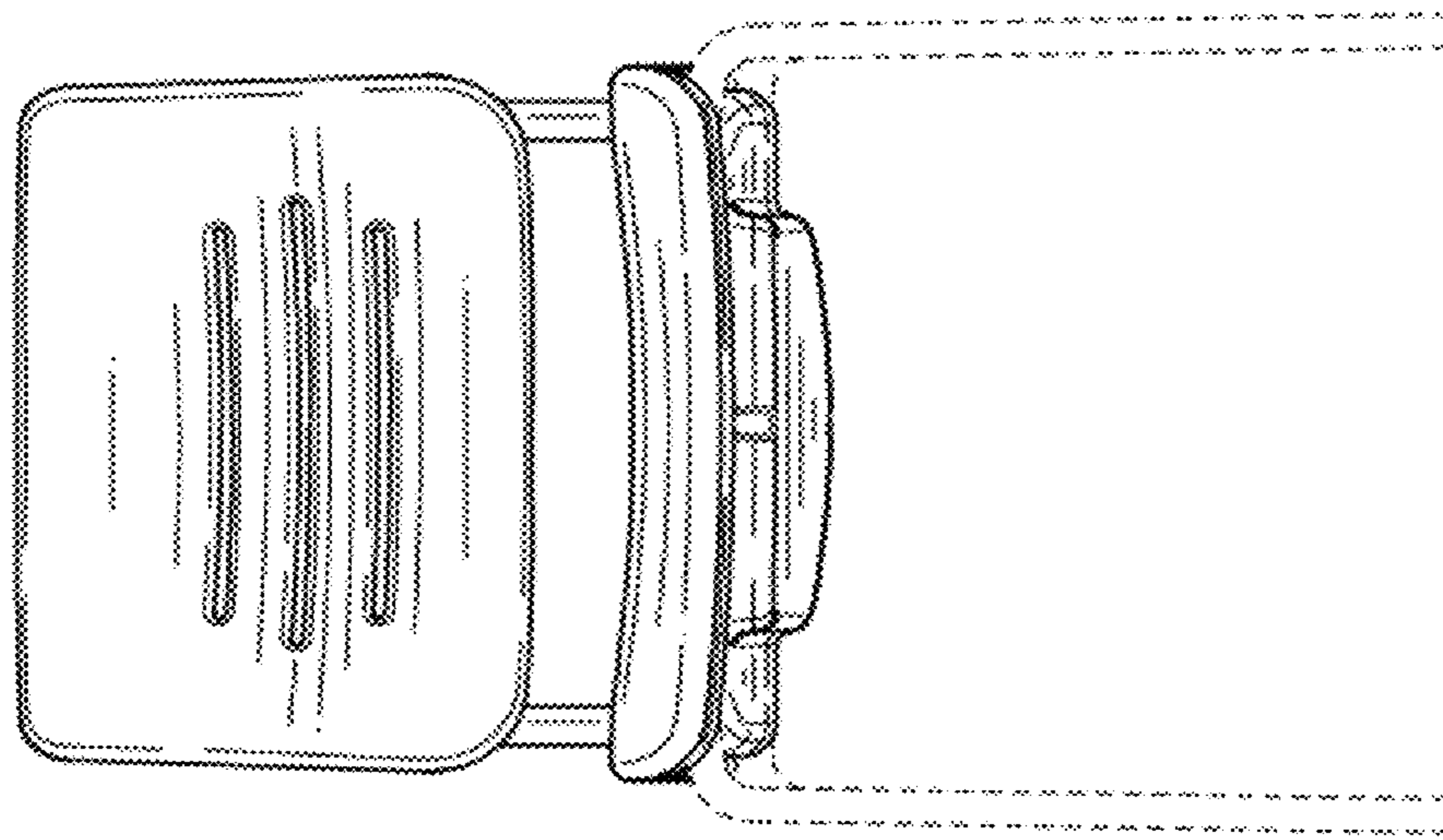


FIG. 3

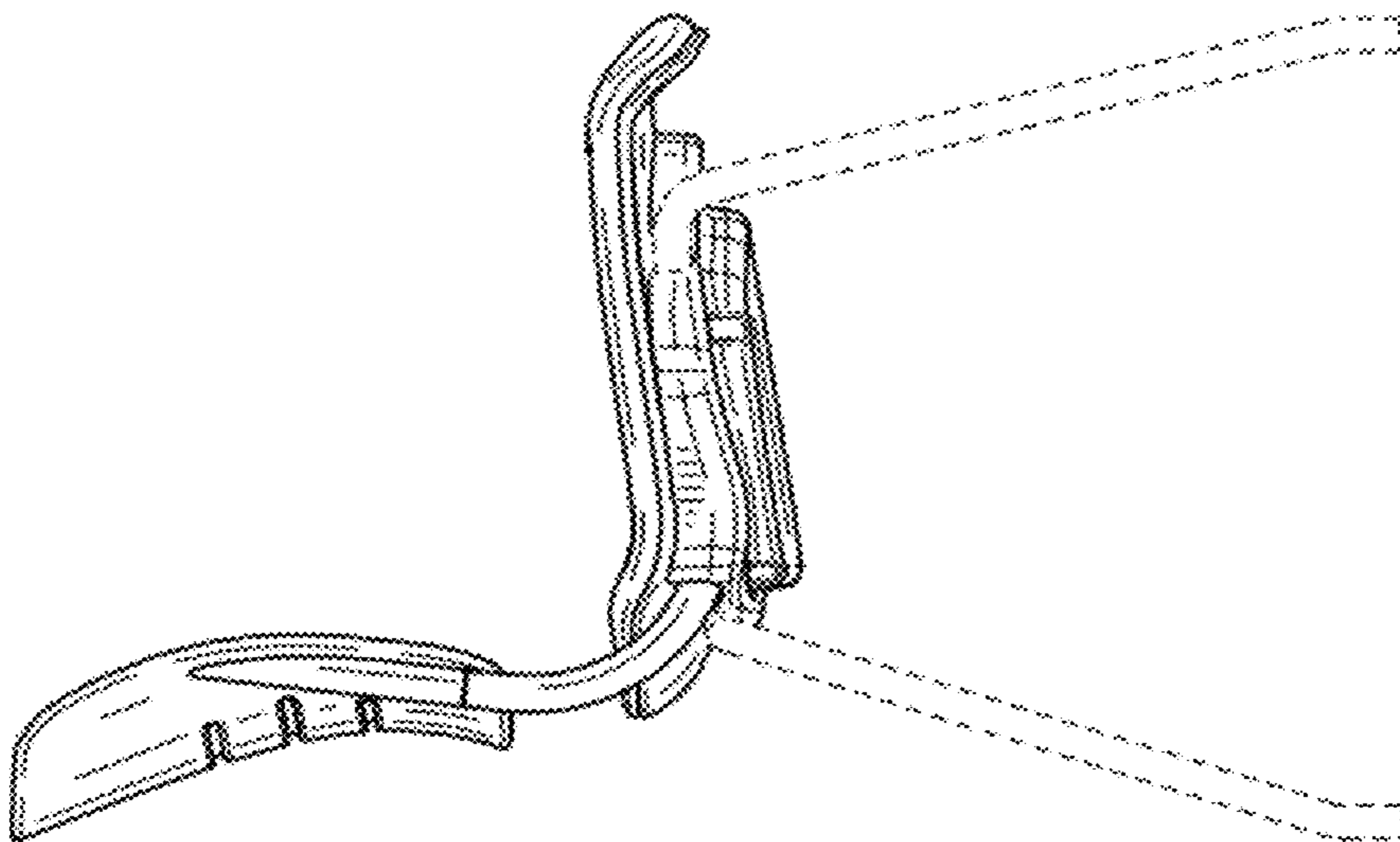


FIG. 2

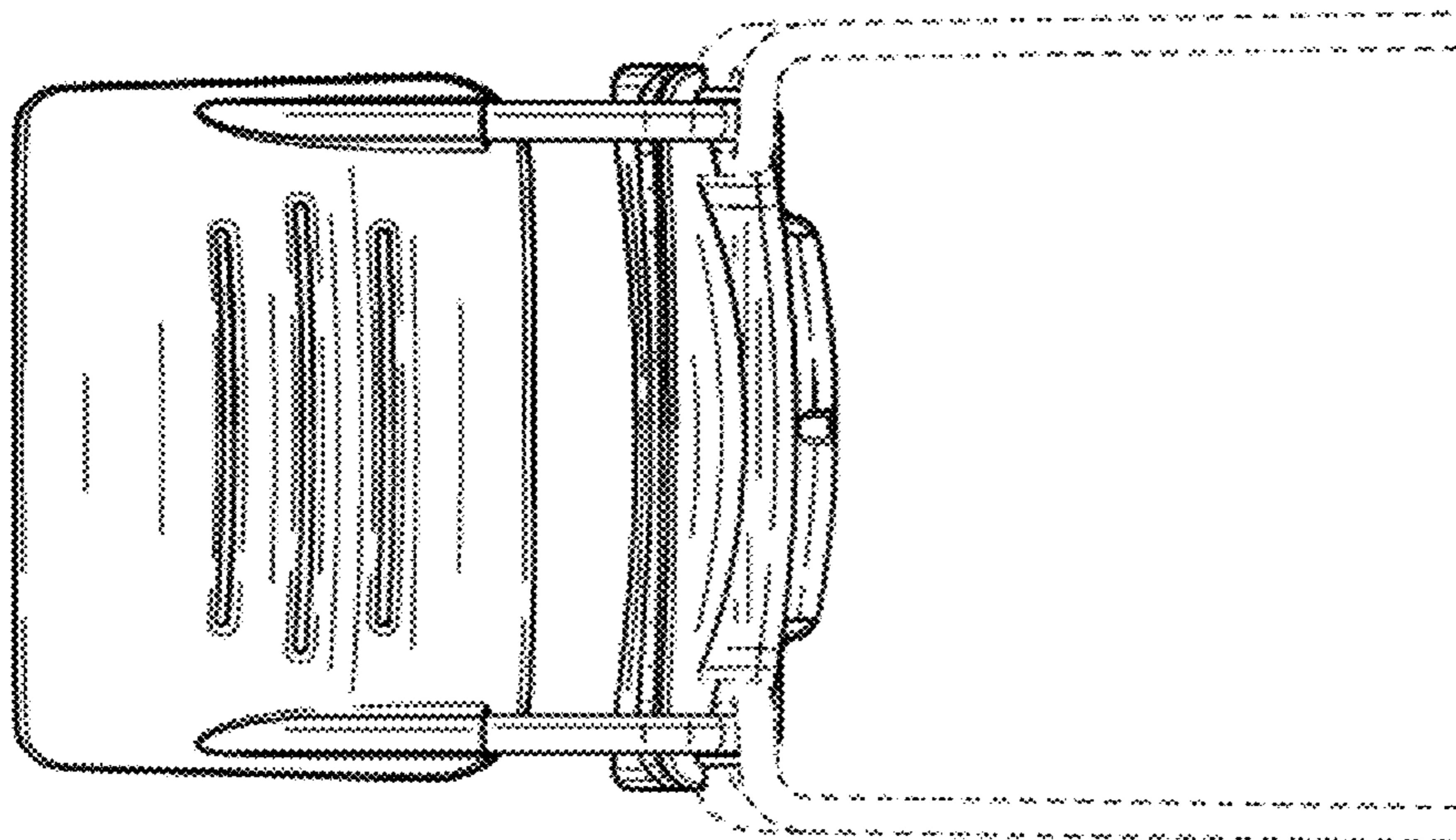


FIG. 4

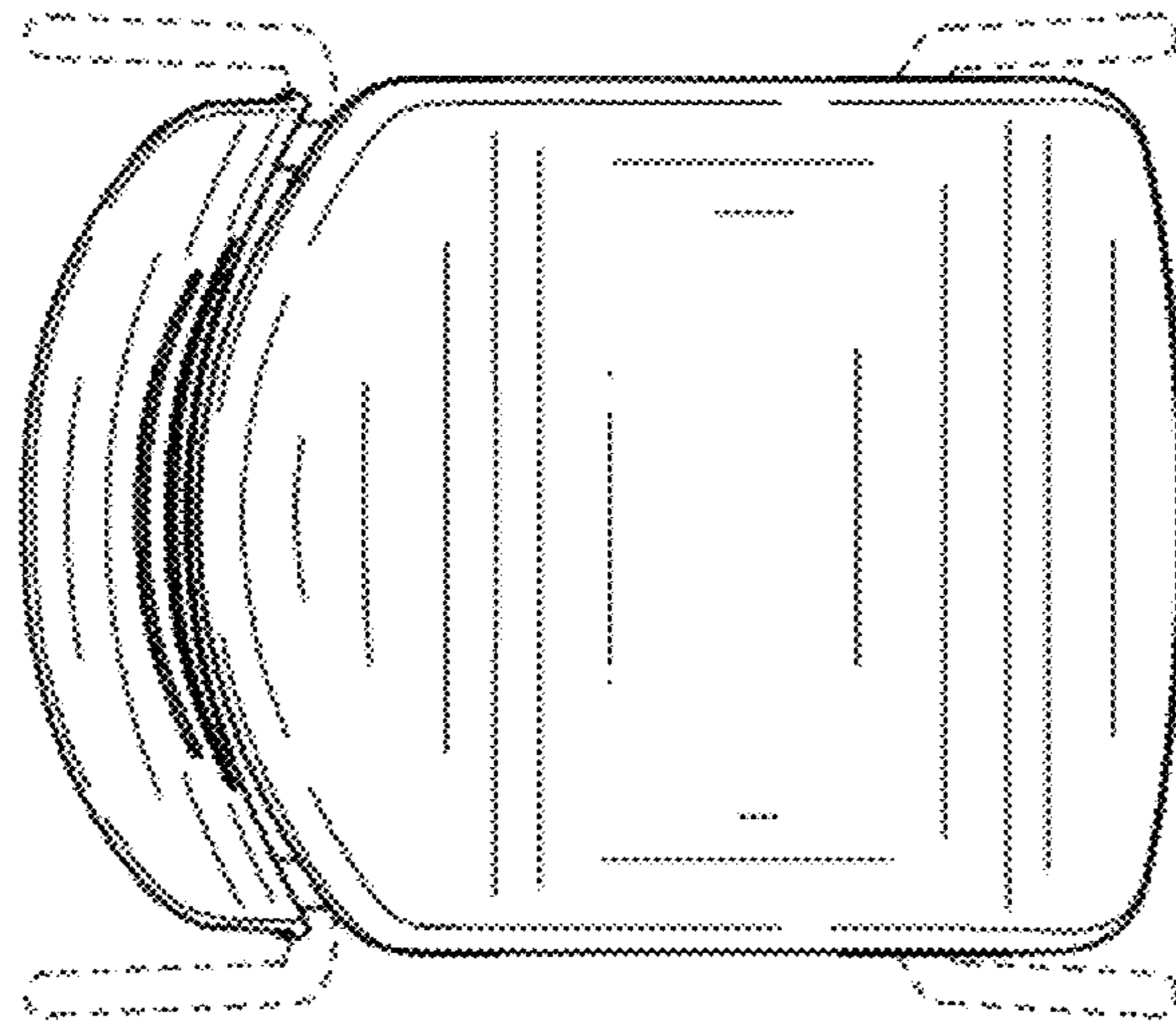


FIG. 5

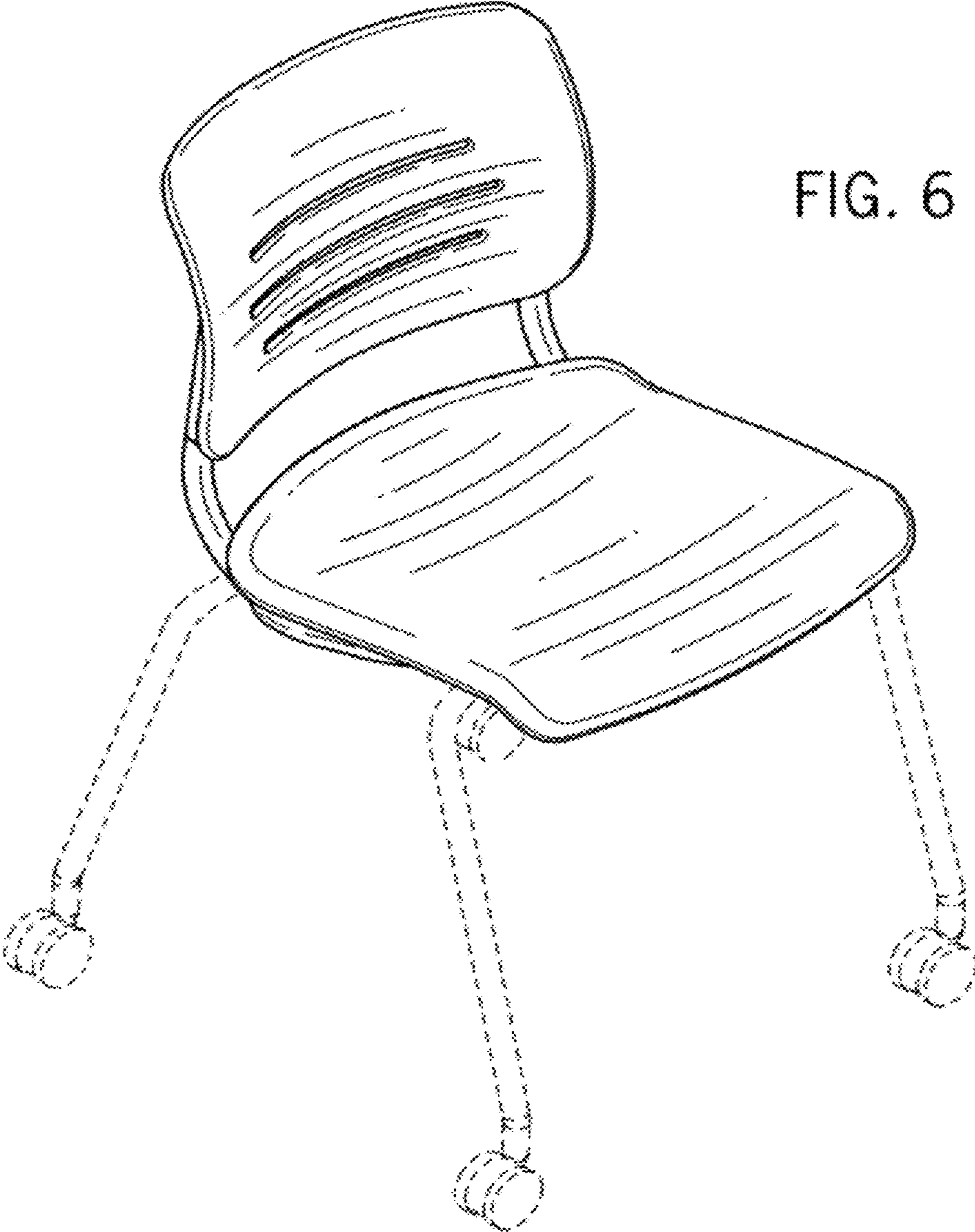


FIG. 6

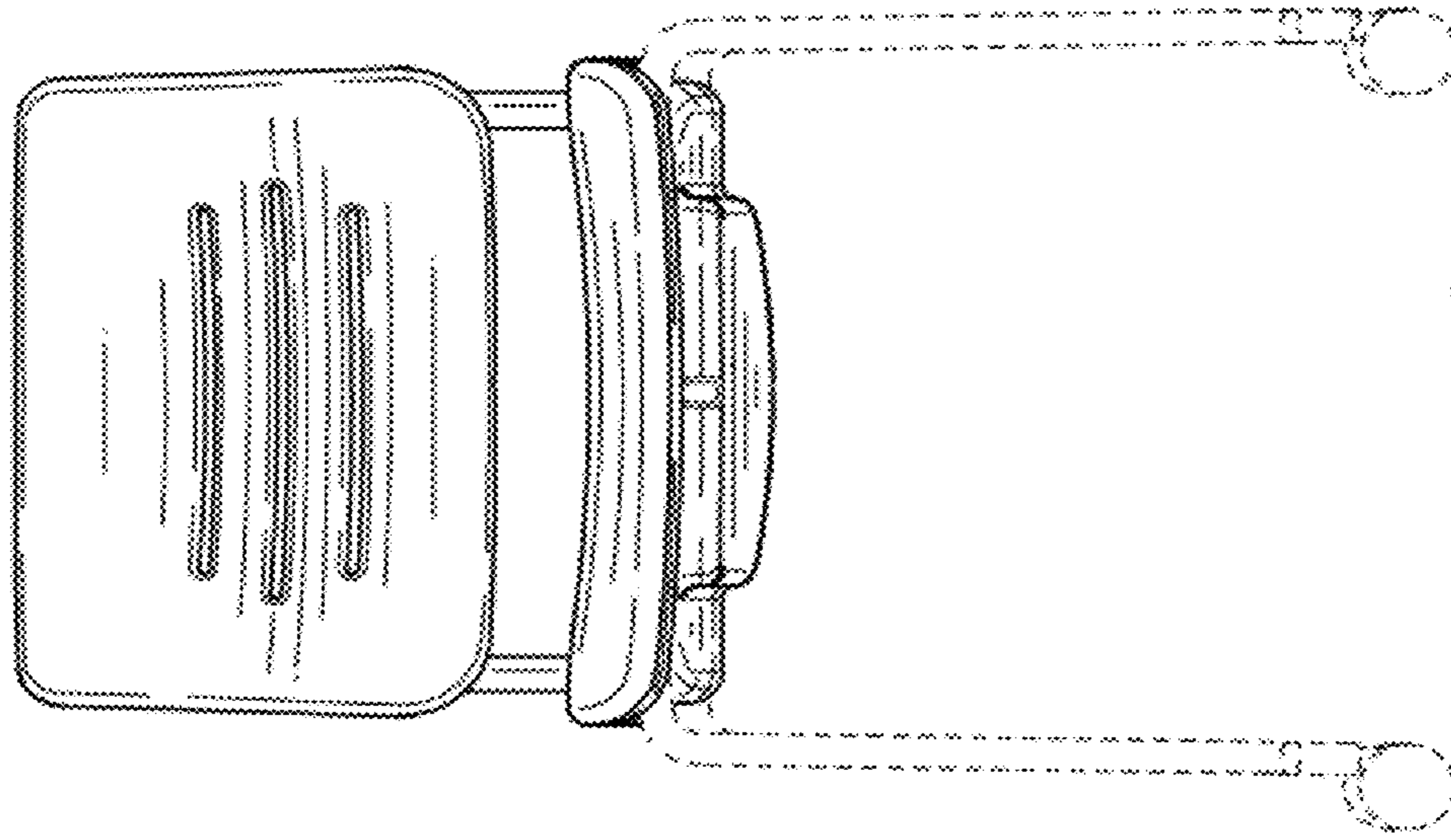


FIG. 8

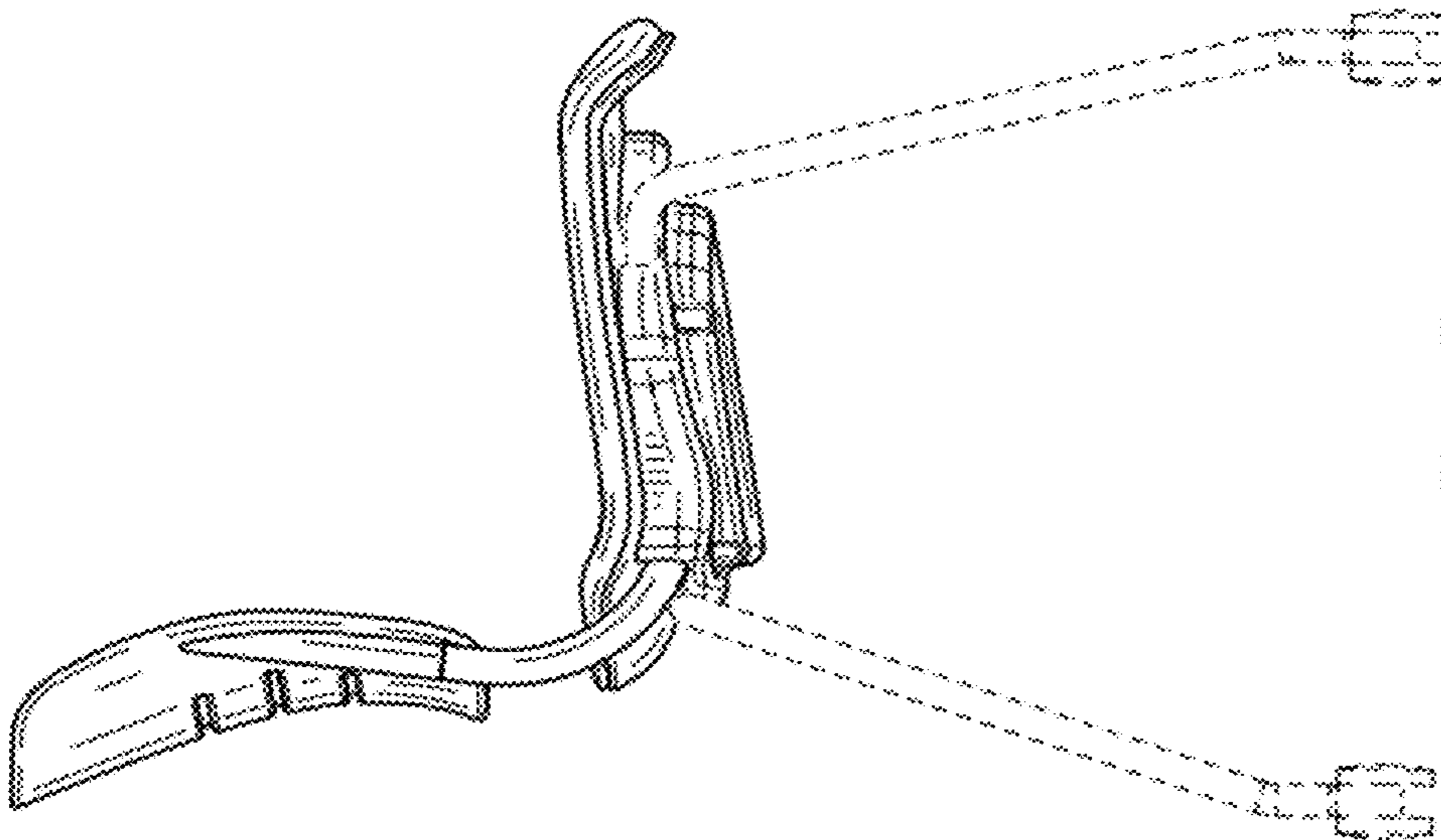


FIG. 7