



US00D672579S

(12) **United States Design Patent**  
**Vass**

(10) **Patent No.:** **US D672,579 S**  
(45) **Date of Patent:** **\*\* Dec. 18, 2012**

(54) **CHAIR DESIGN**

D240,575 S \* 7/1976 Rinaldi ..... D6/375

(76) Inventor: **Lauren Christine Vass**, Greenville, SC  
(US)

\* cited by examiner

(\*\*) Term: **14 Years**

*Primary Examiner* — Mimosa De

(21) Appl. No.: **29/375,419**

(74) *Attorney, Agent, or Firm* — Bennett Mullinax, LLC

(22) Filed: **Sep. 22, 2010**

(57) **CLAIM**

The ornamental design for a chair design, as shown and described.

(51) **LOC (9) Cl.** ..... **06-01**

(52) **U.S. Cl.** ..... **D6/500; D6/375**

(58) **Field of Classification Search** ..... D6/334-336,  
D6/358, 349, 360, 364, 365, 367, 374, 376,  
D6/379, 380, 500-502; 297/181, 344.12,  
297/423.18, 423.25, 452.12, 452.19, 451.4,  
297/451.5

**DESCRIPTION**

See application file for complete search history.

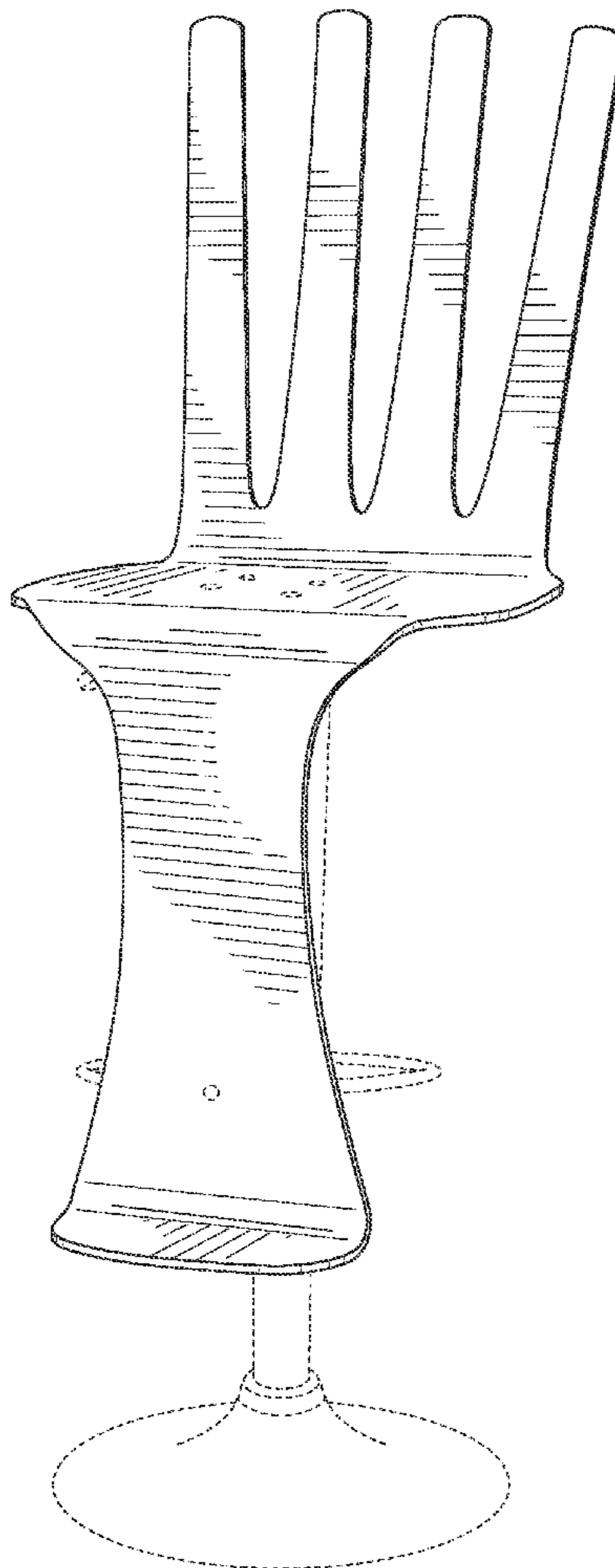
FIG. 1 is perspective view of the chair of the present design;  
FIG. 2 is a front view of the chair seen in FIG. 1;  
FIG. 3 is a rear view of the chair seen in FIG. 1;  
FIG. 4 is a right elevation view of the chair seen in FIG. 1;  
FIG. 5 is a left elevation view of the chair seen in FIG. 1;  
FIG. 6 is a top plan view of the chair seen in FIG. 1; and,  
FIG. 7 is a bottom plan view of the chair seen in FIG. 1.  
The broken lines in FIGS. 1-14 are for illustrative purposes  
only and form no part of the claimed design.

(56) **References Cited**

**U.S. PATENT DOCUMENTS**

3,561,818 A \* 2/1971 Lohmeyer ..... 297/452.12  
D239,345 S \* 3/1976 Keller ..... D6/375

**1 Claim, 6 Drawing Sheets**



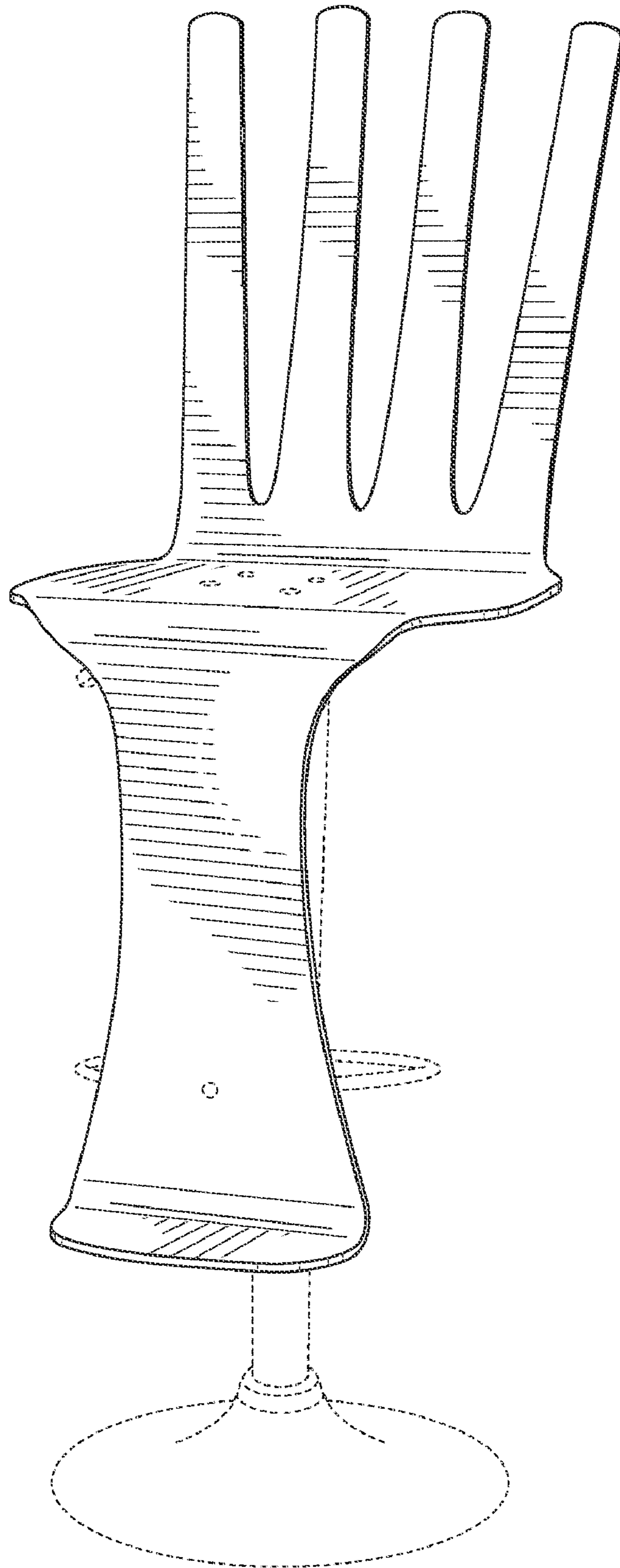


FIG. 1

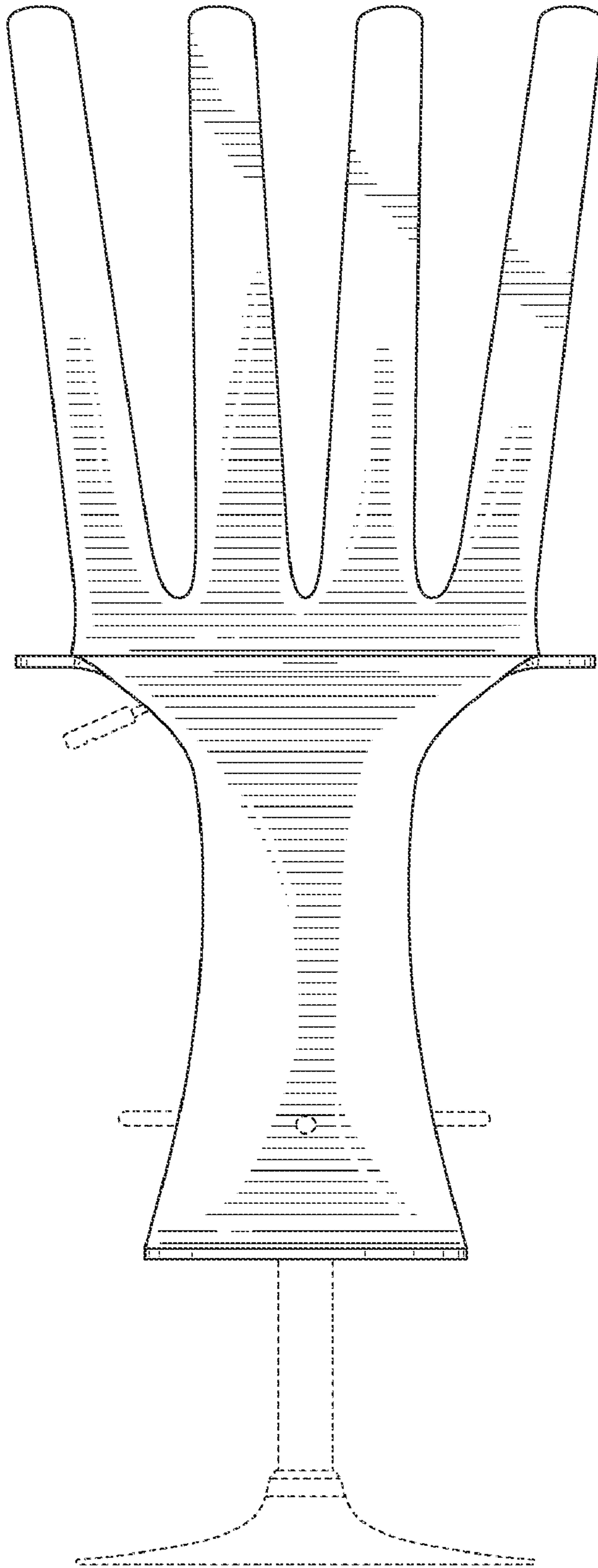


FIG. 2

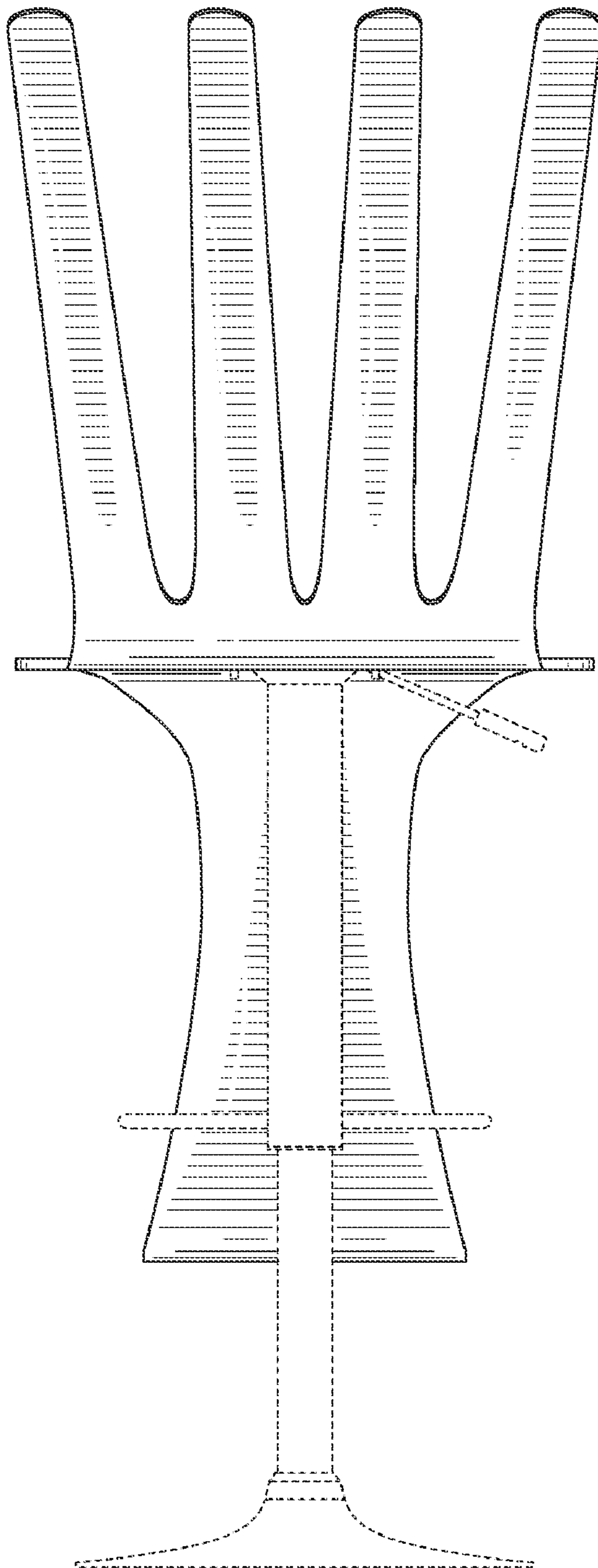


FIG. 3

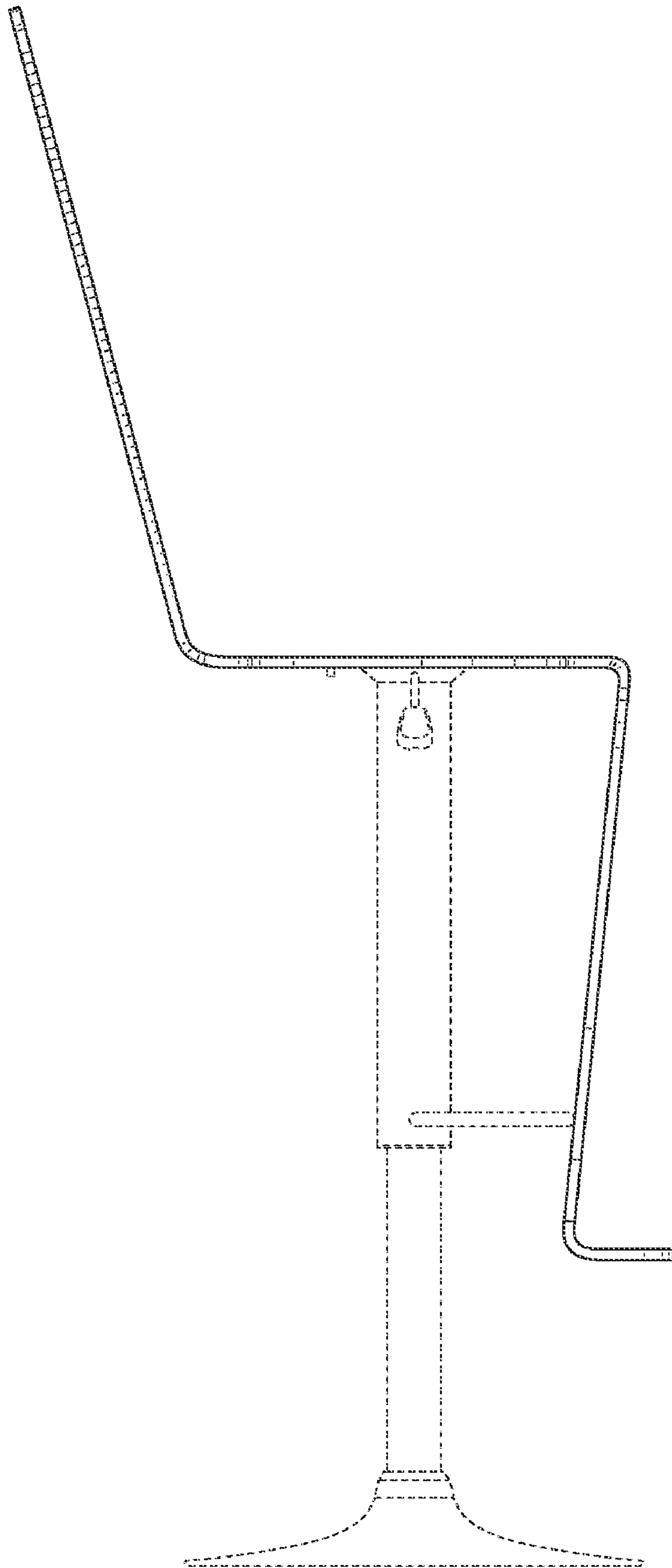


FIG. 4

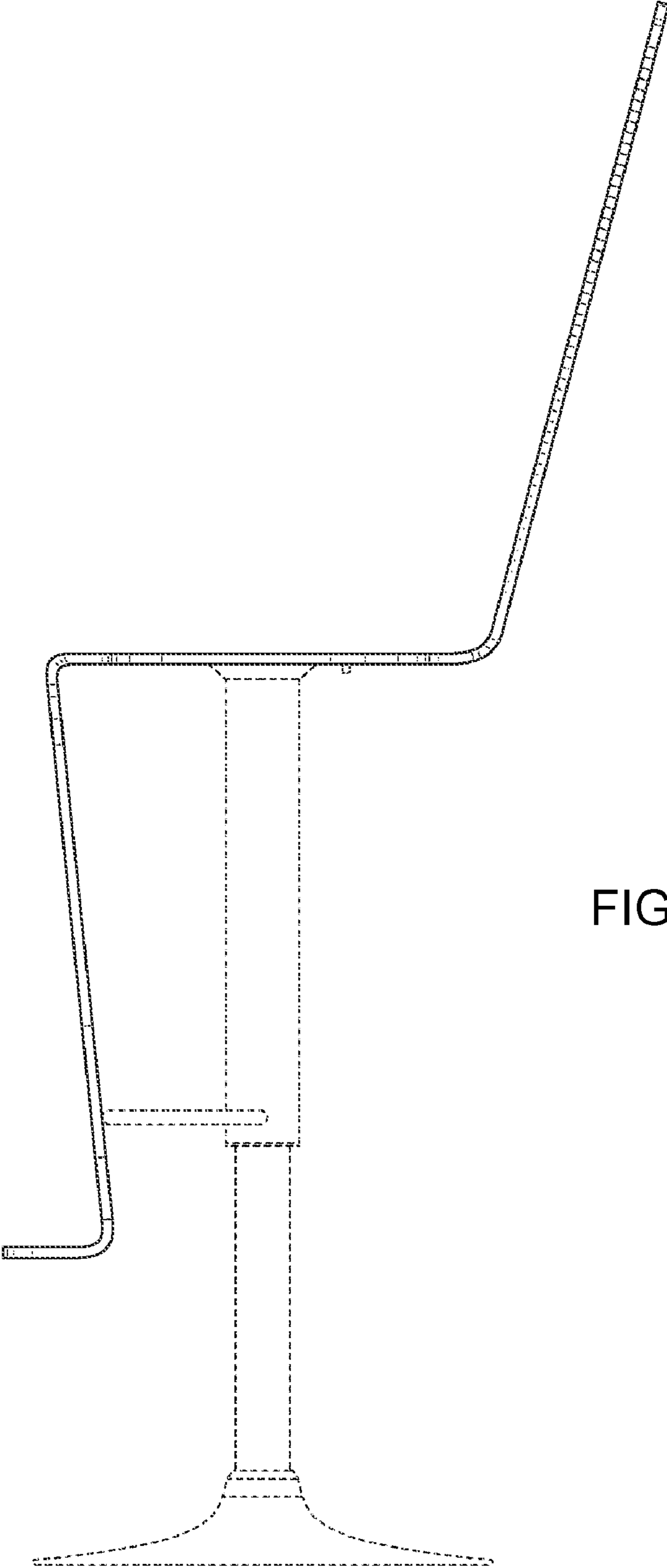


FIG. 5

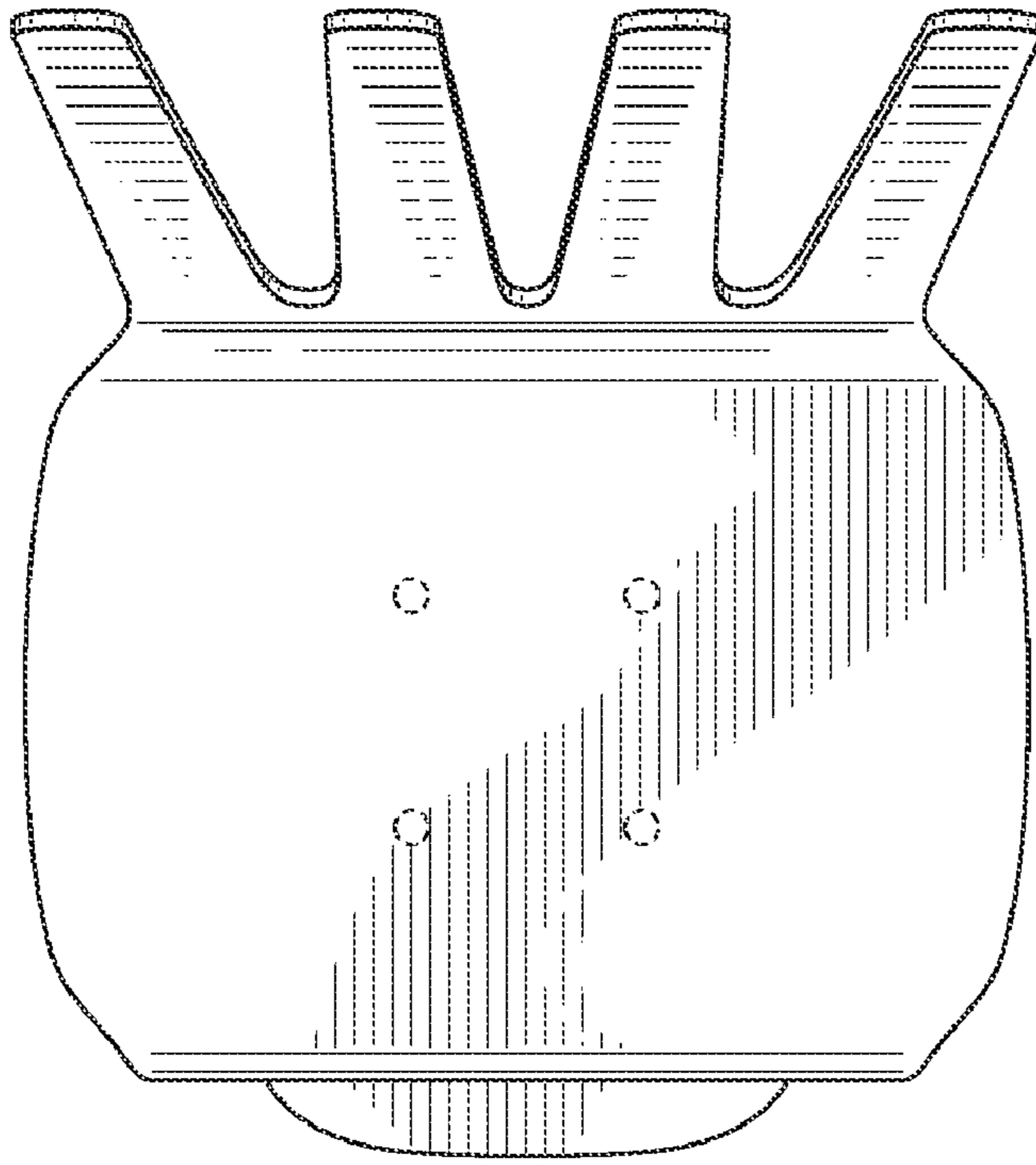


FIG. 6

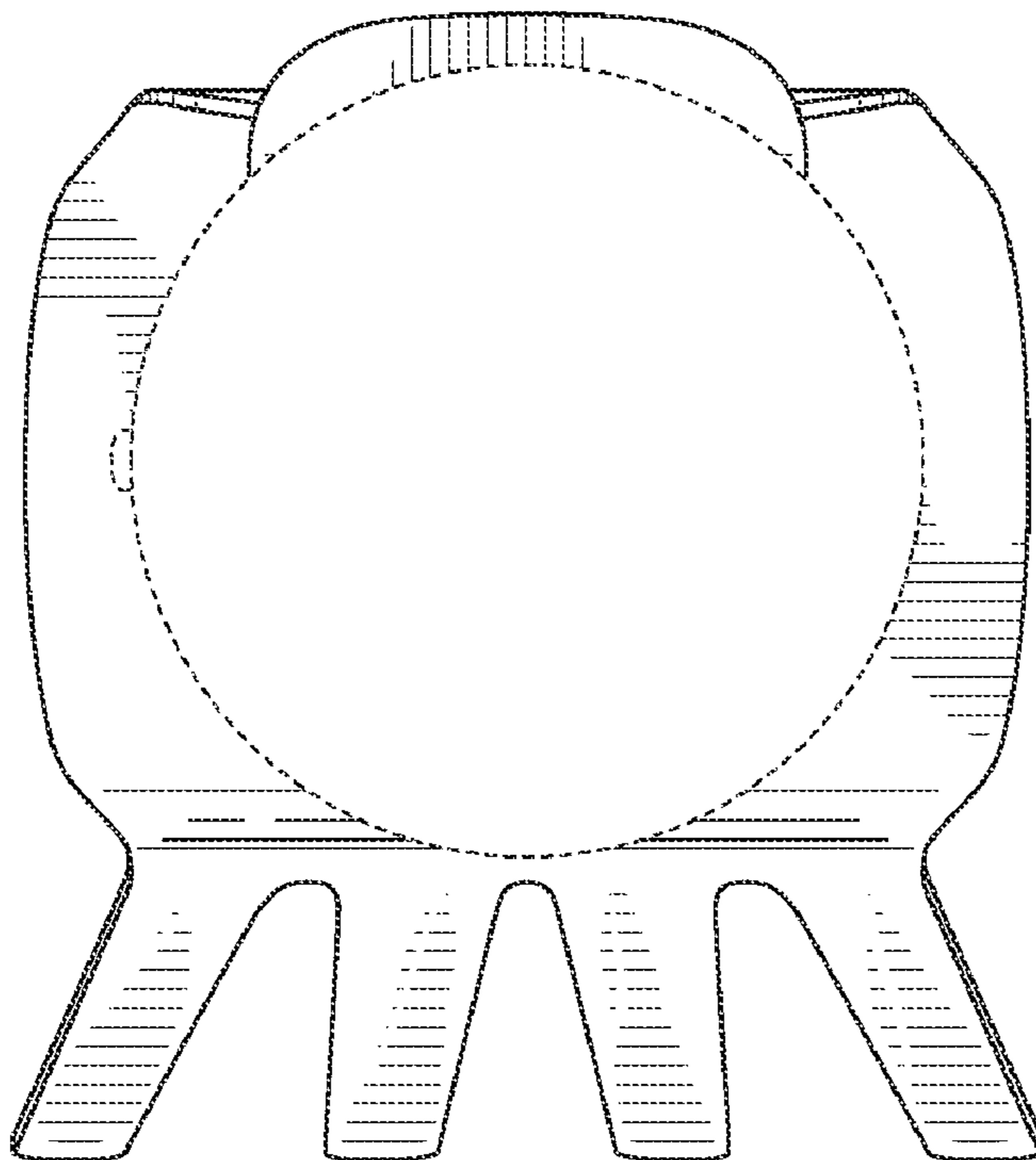


FIG. 7