

US00D672578S

(12) **United States Design Patent**  
**Linder**

(10) **Patent No.:** **US D672,578 S**

(45) **Date of Patent:** **\*\* Dec. 18, 2012**

(54) **TWO-LEGGED PORTABLE TARGET STAND**

(76) Inventor: **Ronald D. Linder**, Chandler, AZ (US)

(\*\*) Term: **14 Years**

(21) Appl. No.: **29/426,629**

(22) Filed: **Jul. 9, 2012**

(51) **LOC (9) Cl.** ..... **06-06**

(52) **U.S. Cl.** ..... **D6/496**

(58) **Field of Classification Search** ..... D6/495-499,  
D6/429-431, 480-489, 419-420, 364-367,  
D6/334-335, 396-397; 108/150, 153.1,  
108/161, 155, 156, 144.11; 248/188, 188.1-188.9,  
248/188.91, 125.8, 177.1; 343/880-882,  
343/840; D14/238; D16/244-245; 211/203;  
89/40.06; D21/569, 302, 790; D22/113;  
D20/17, 41, 99; D25/35, 39, 42-44, 58,  
D25/126-128, 199; 463/54; 40/606.01

See application file for complete search history.

(56) **References Cited**

**U.S. PATENT DOCUMENTS**

D193,859 S *	10/1962	Nissen et al.	.....	D21/797
D286,288 S *	10/1986	Skinner et al.	.....	D14/238
D332,887 S *	2/1993	Fjello-Jensen	.....	D6/496
D353,287 S *	12/1994	Hemberger	.....	D6/495
D409,861 S *	5/1999	Newhouse	.....	D6/495
D468,137 S *	1/2003	Ulmer	.....	D6/496
D595,070 S *	6/2009	Wacker	.....	D6/496
D608,014 S *	1/2010	Wounder et al.	.....	D24/224

\* cited by examiner

*Primary Examiner* — Caron D Veynar

*Assistant Examiner* — Abraham Bahta

(74) *Attorney, Agent, or Firm* — Timothy M. Barlow

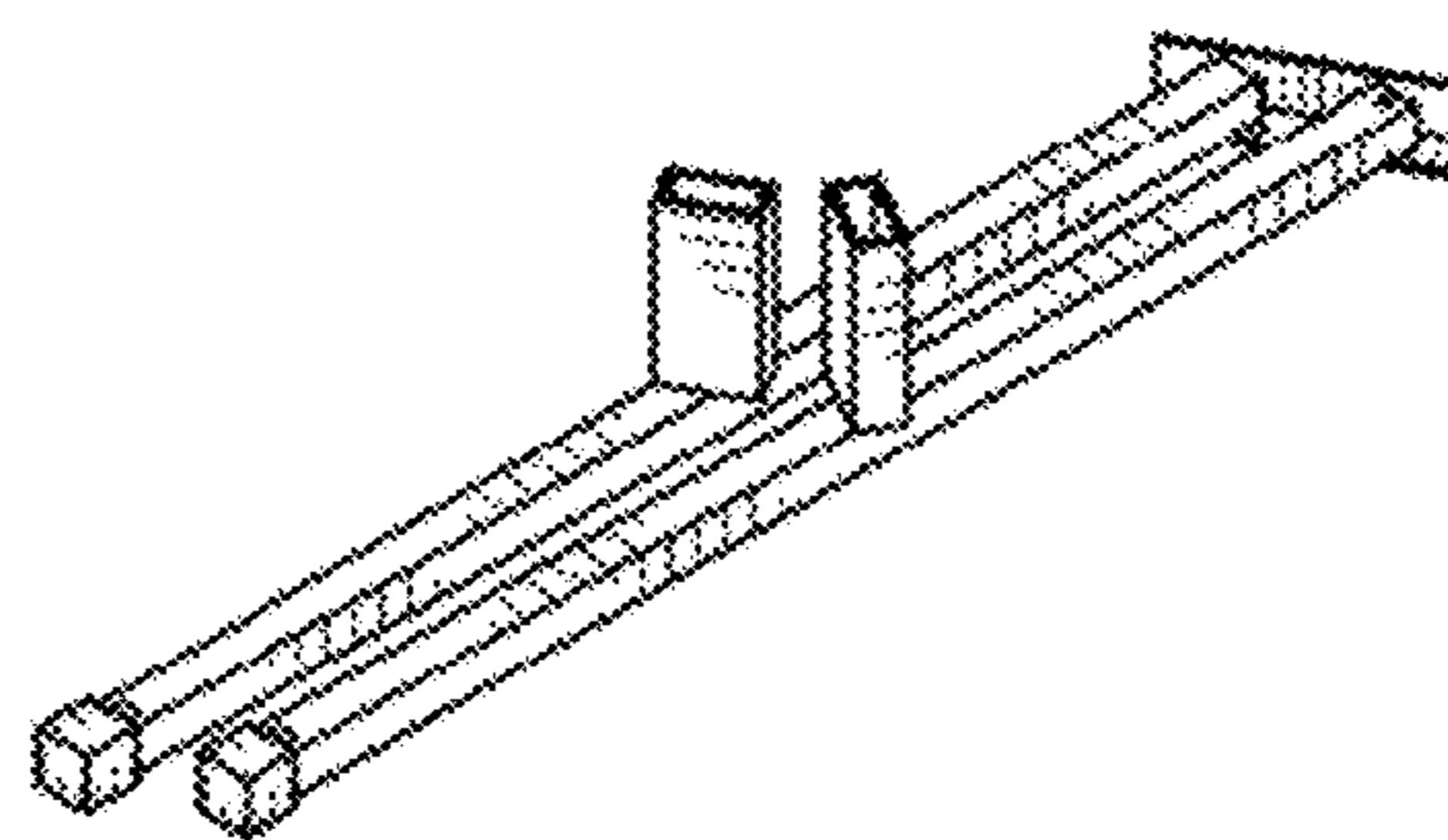
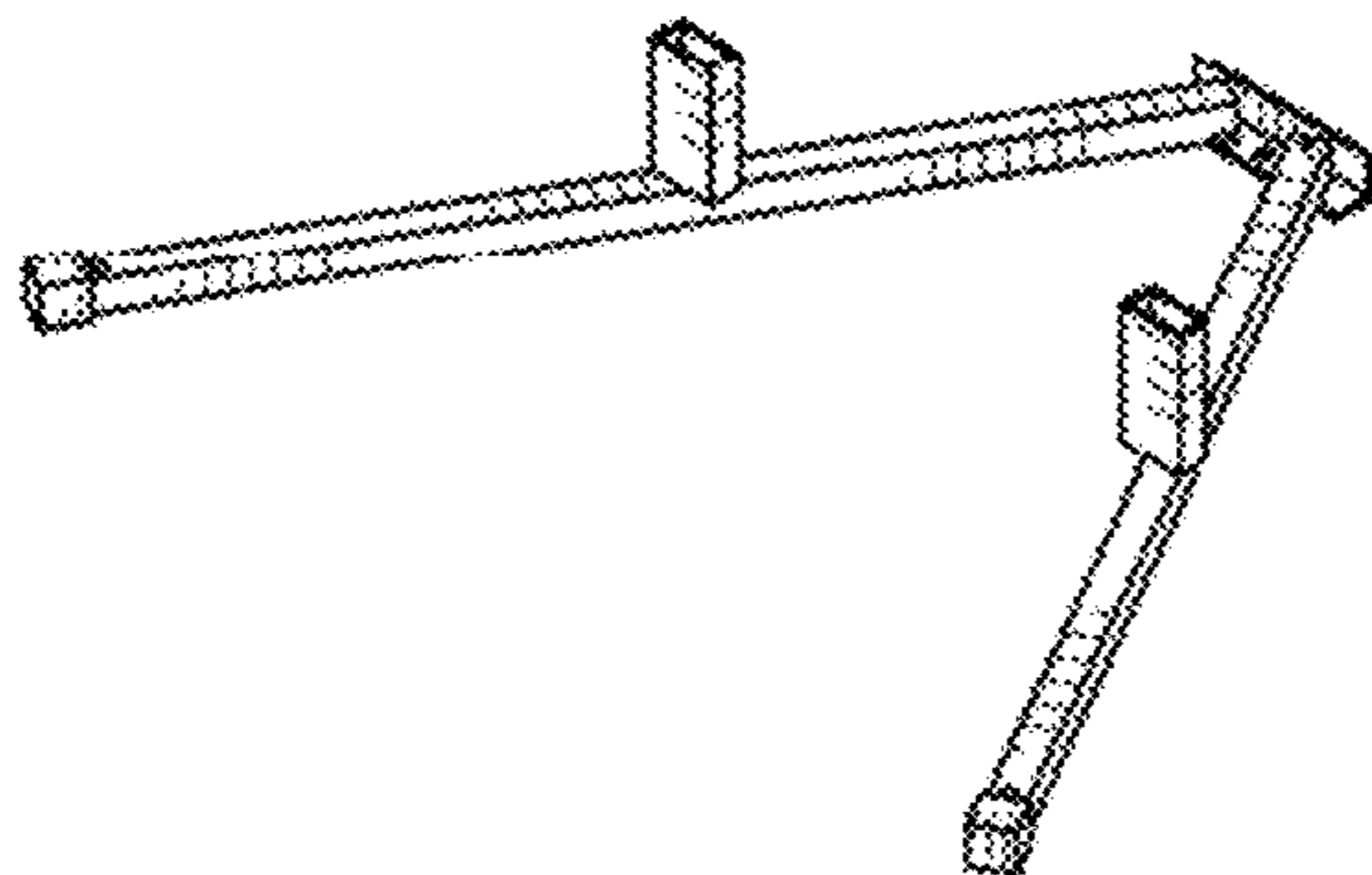
(57) **CLAIM**

The ornamental design for a two-legged portable target stand, as shown.

**DESCRIPTION**

FIG. 1 is an upper perspective view of the two-legged portable target stand in an open position showing my new design; FIG. 2 is a lower perspective view thereof; FIG. 3 is a top view thereof; FIG. 4 is a bottom view thereof; FIG. 5 is a left side view thereof; FIG. 6 is a right side view thereof; FIG. 7 is a front view thereof; FIG. 8 is rear view thereof; FIG. 9 is an upper perspective view of the two-legged portable target stand in a folded position; FIG. 10 is a bottom perspective view of FIG. 9; FIG. 11 is a top view of FIG. 9; FIG. 12 is a bottom view of FIG. 9; FIG. 13 is a left side view of FIG. 9; FIG. 14 is a right side view of FIG. 9; FIG. 15 is a front view of FIG. 9; and, FIG. 16 is a rear view of FIG. 9.

**1 Claim, 6 Drawing Sheets**



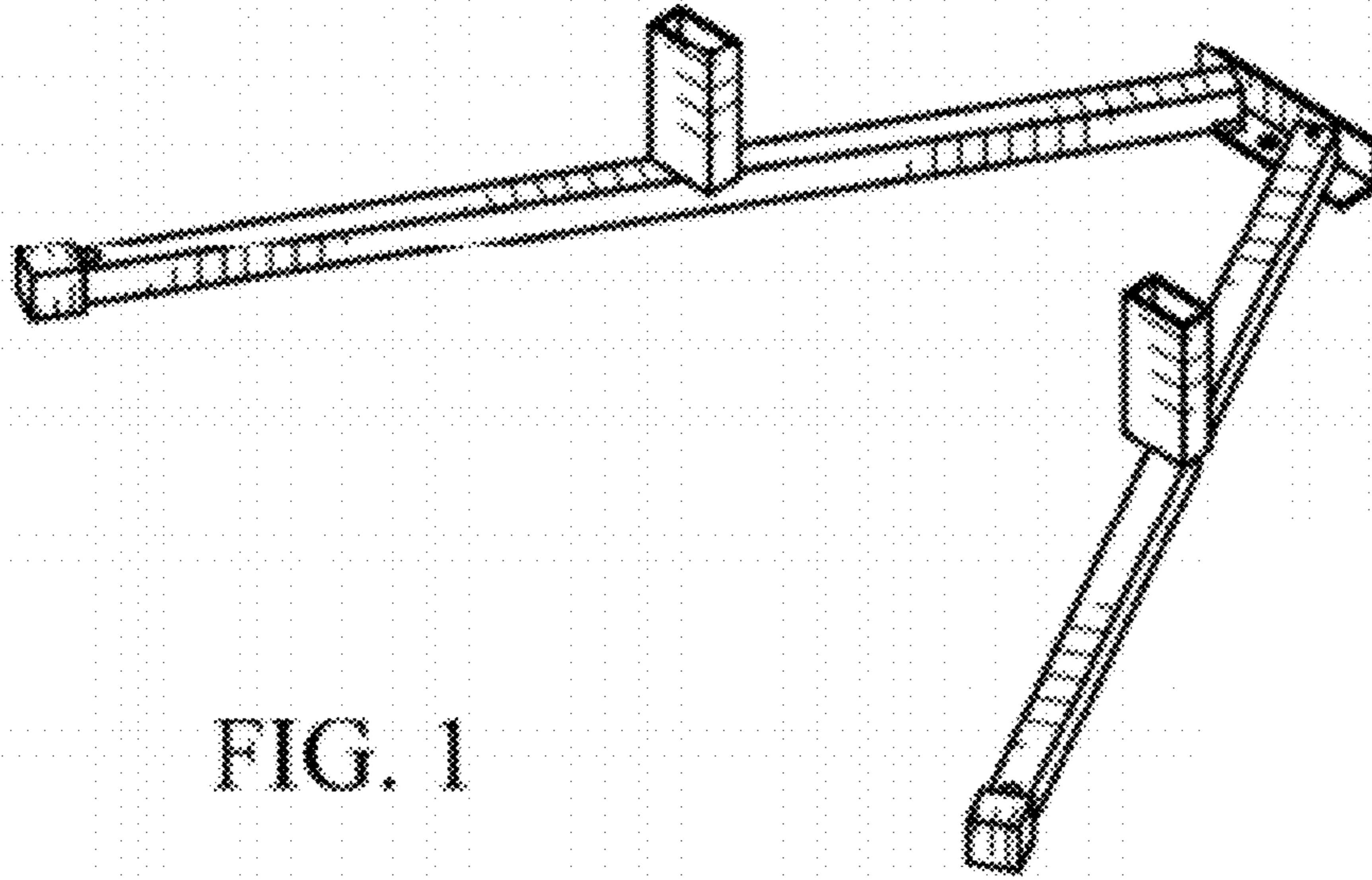


FIG. 1

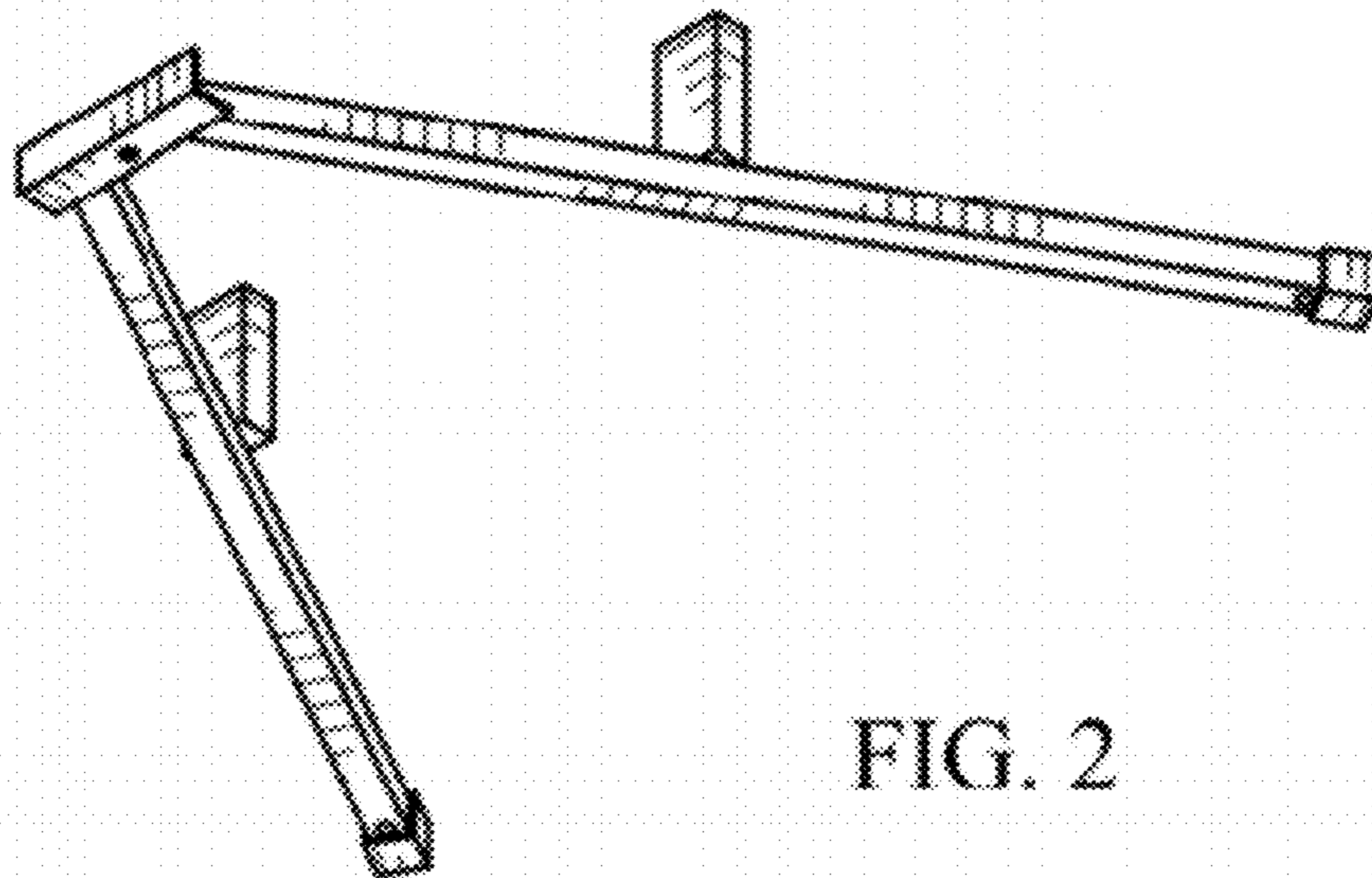


FIG. 2

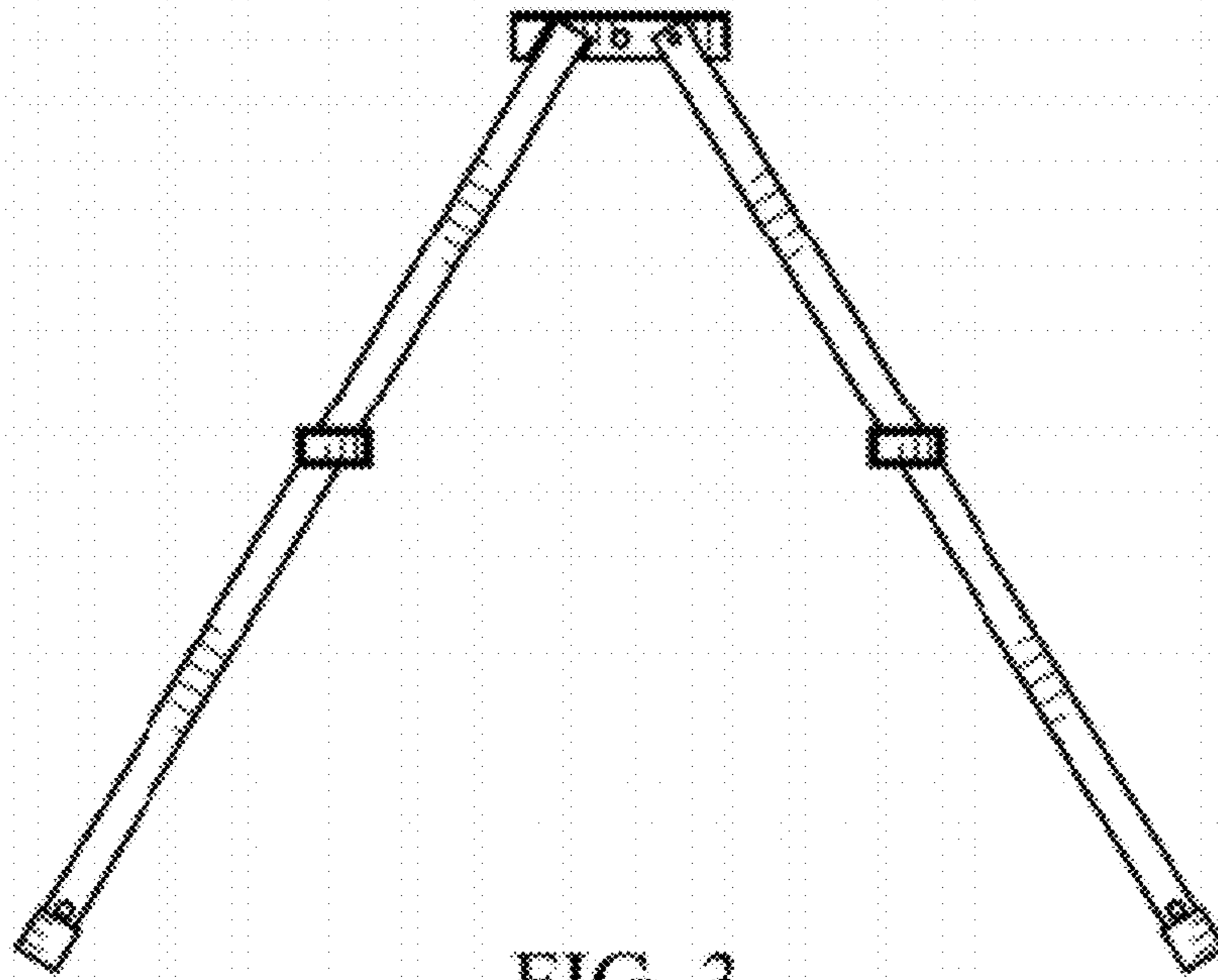


FIG. 3

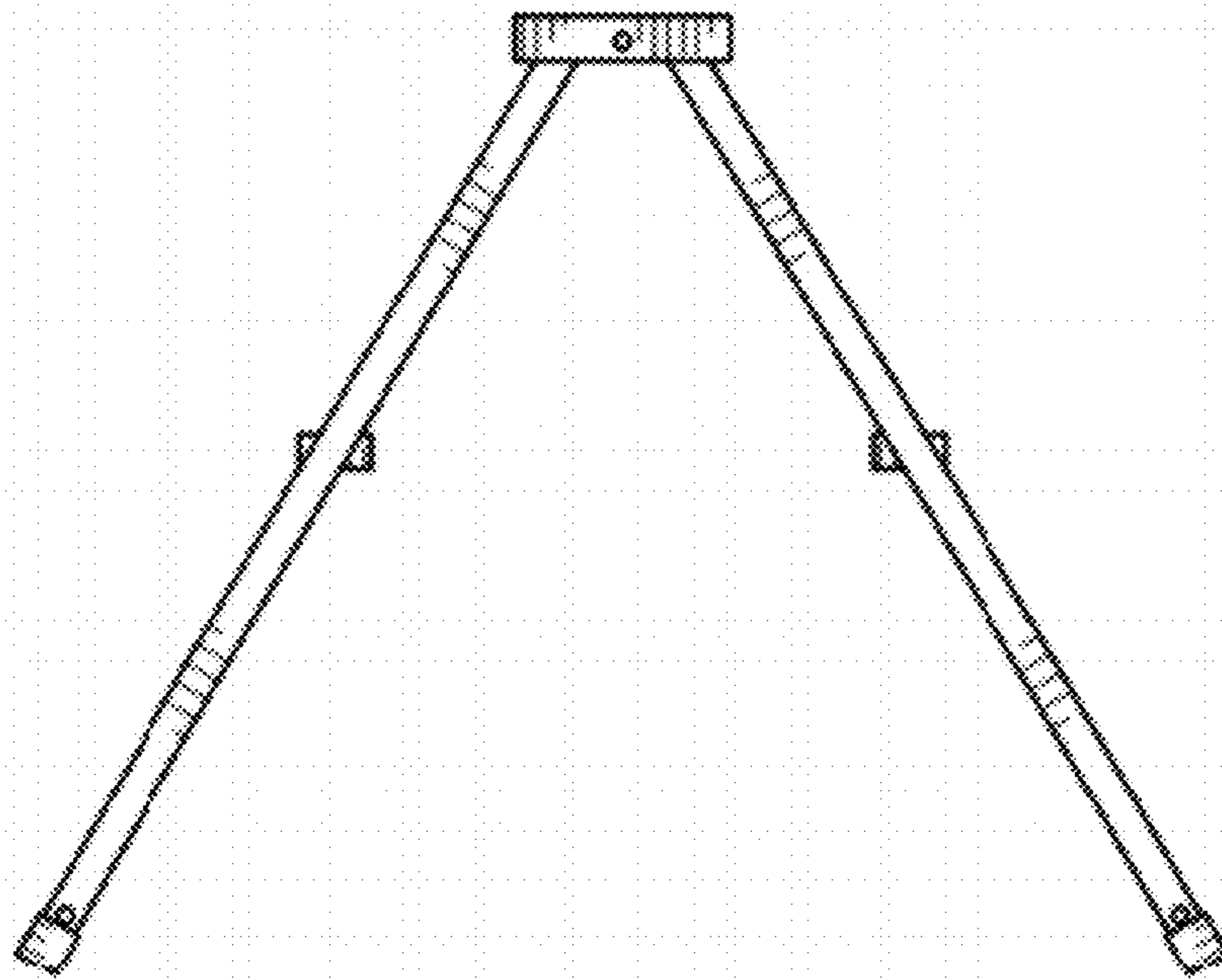


FIG. 4

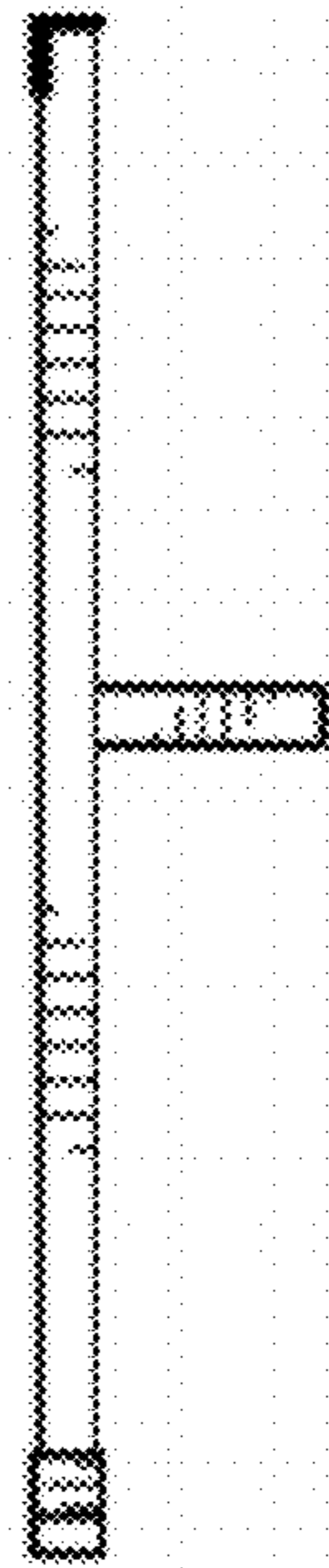


FIG. 5

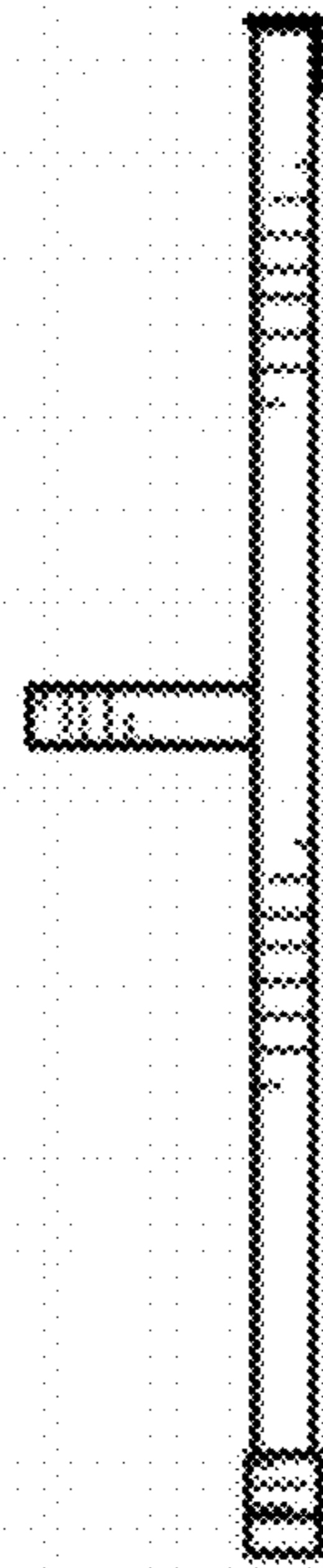


FIG. 6

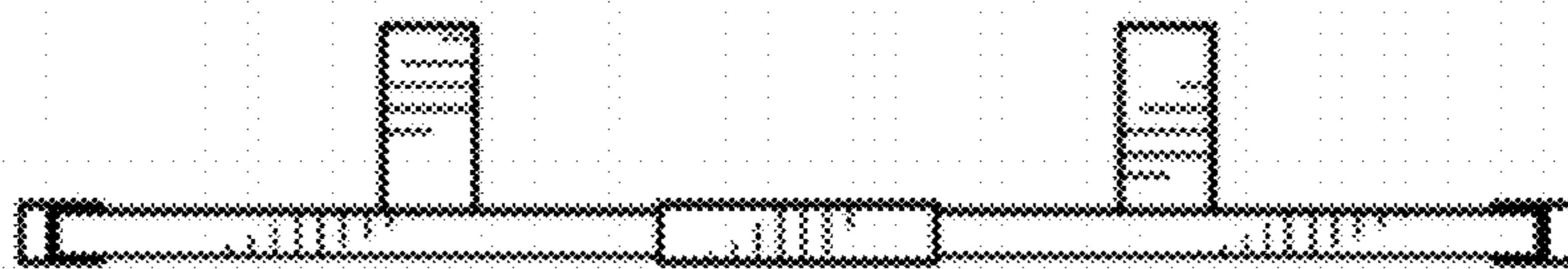


FIG. 7

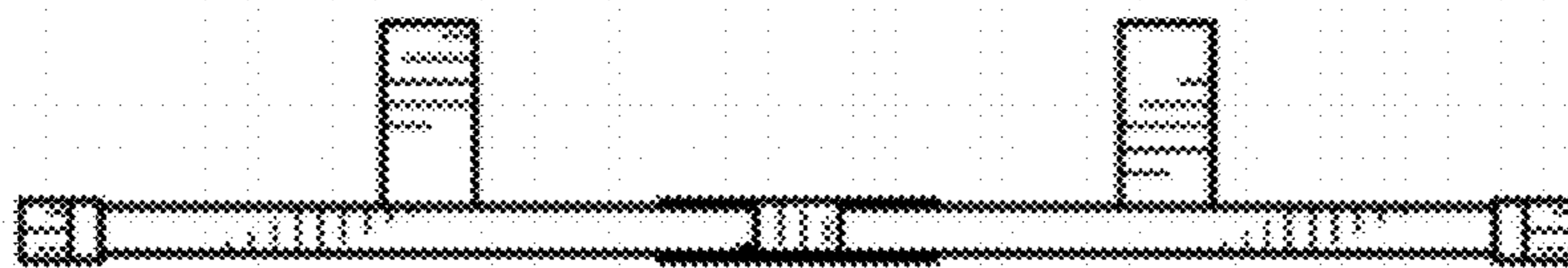


FIG. 8

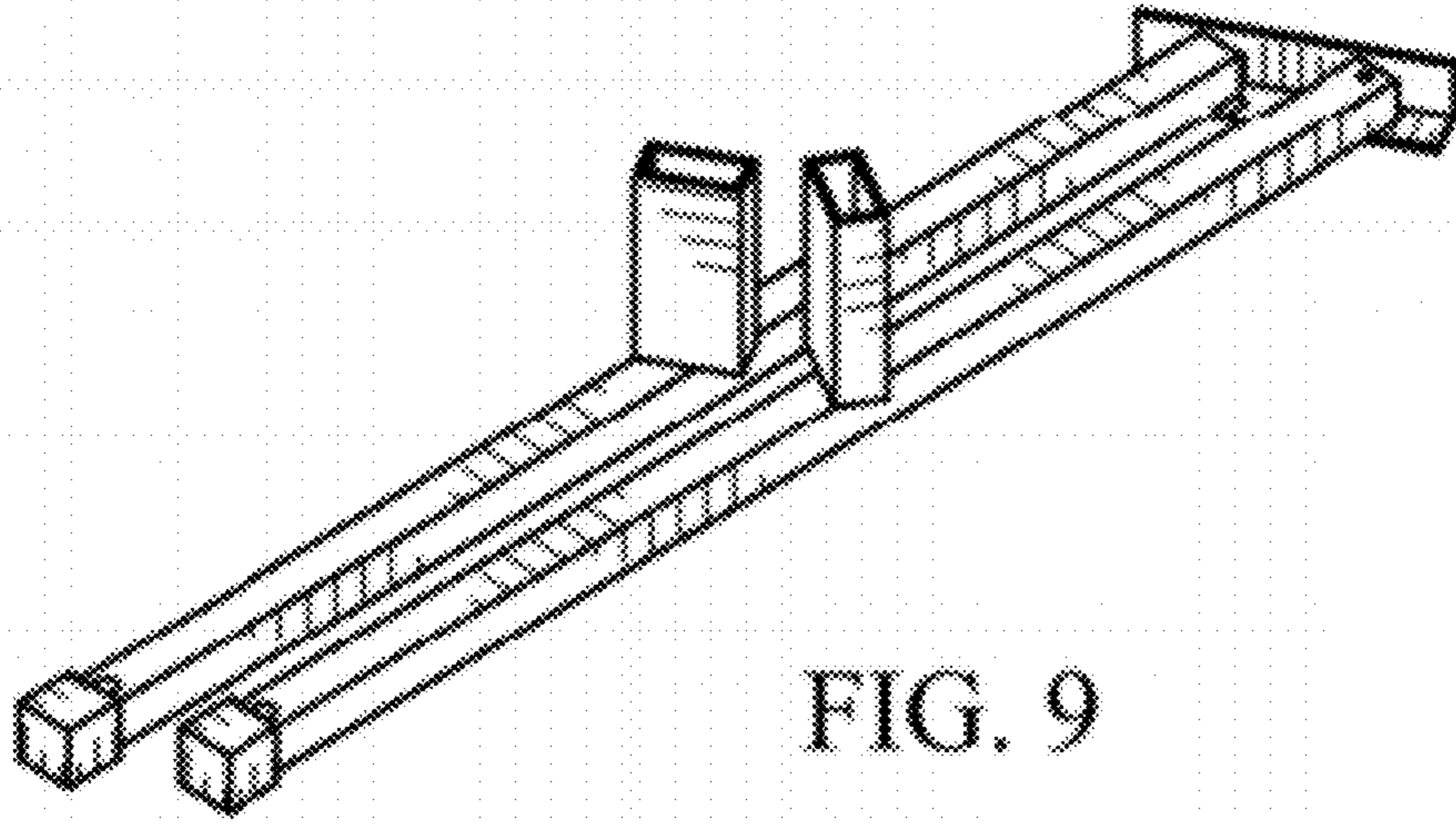


FIG. 9

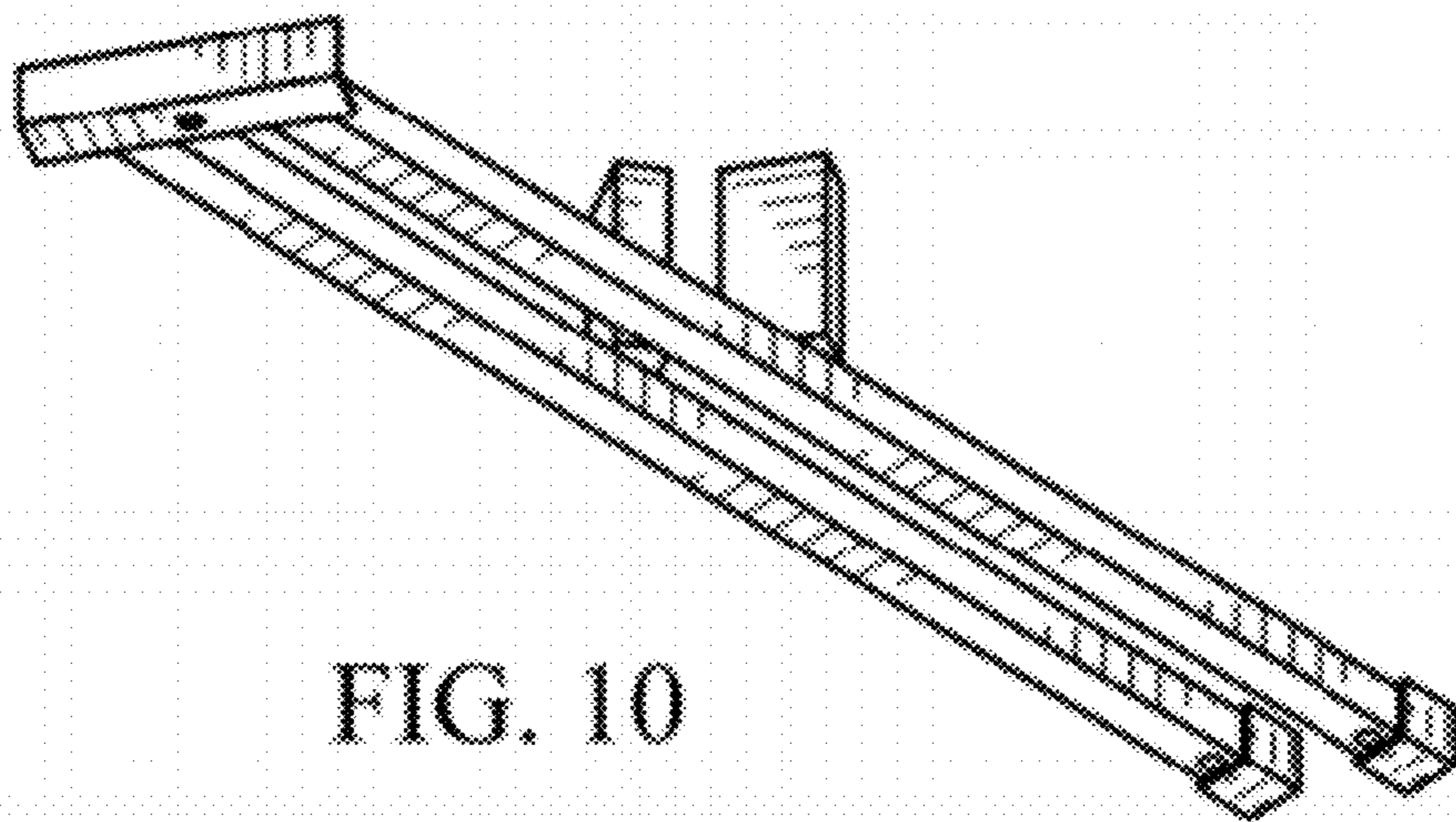


FIG. 10

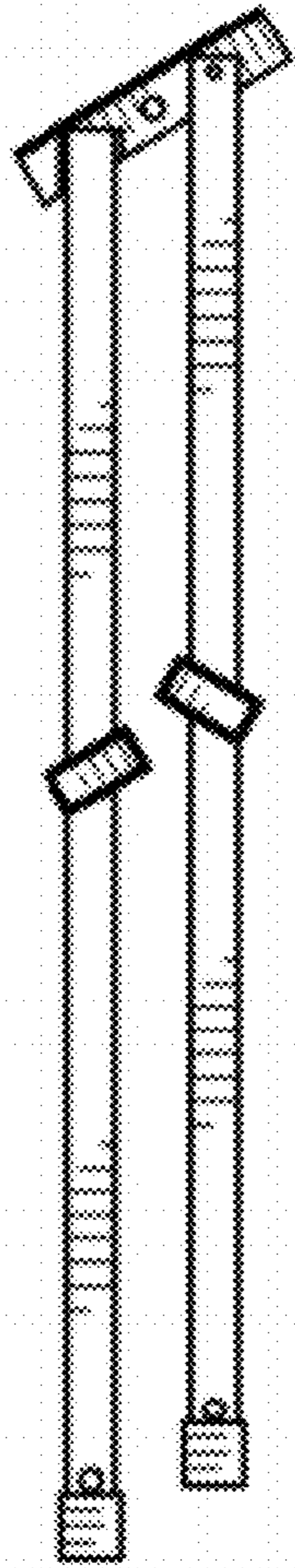


FIG. 11

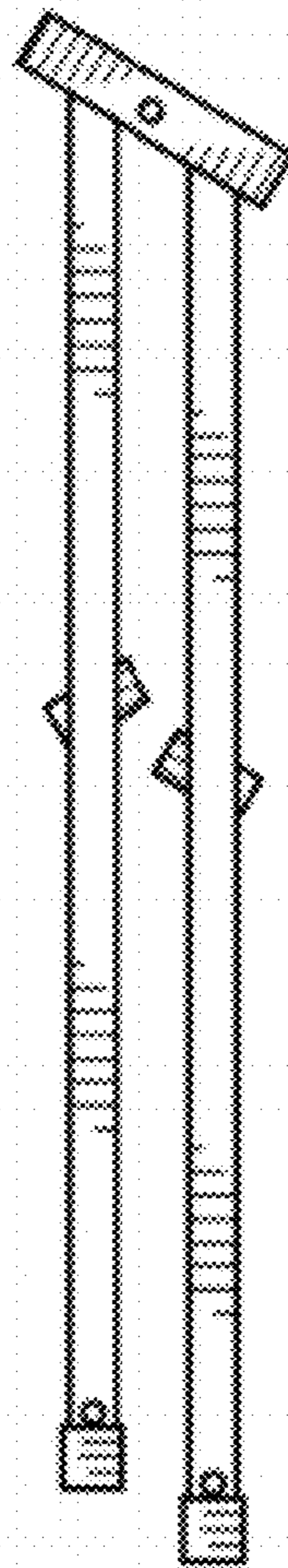


FIG. 12

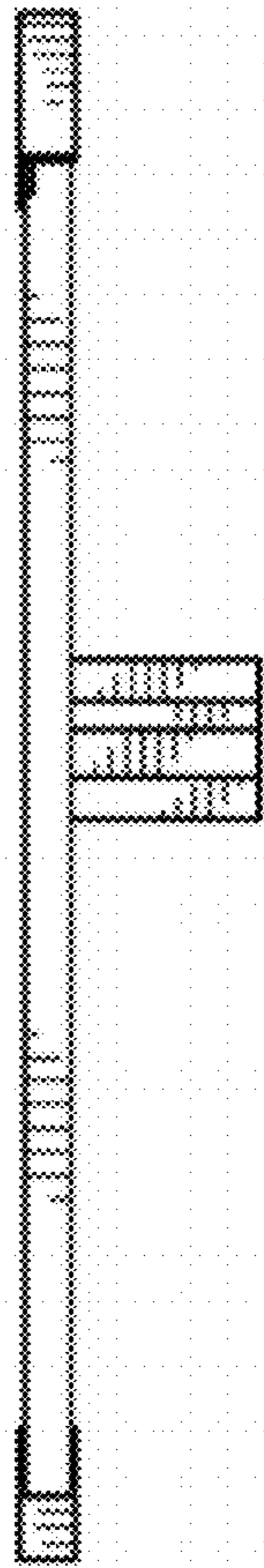


FIG. 13

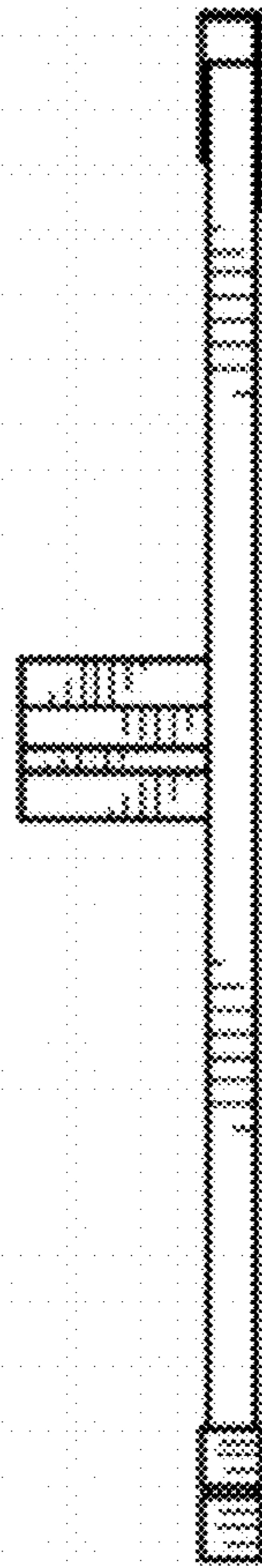


FIG. 14

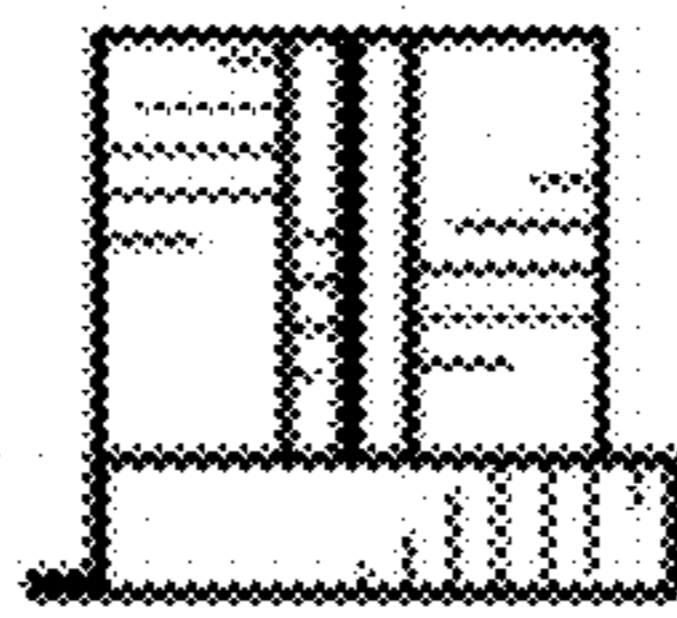


FIG. 15

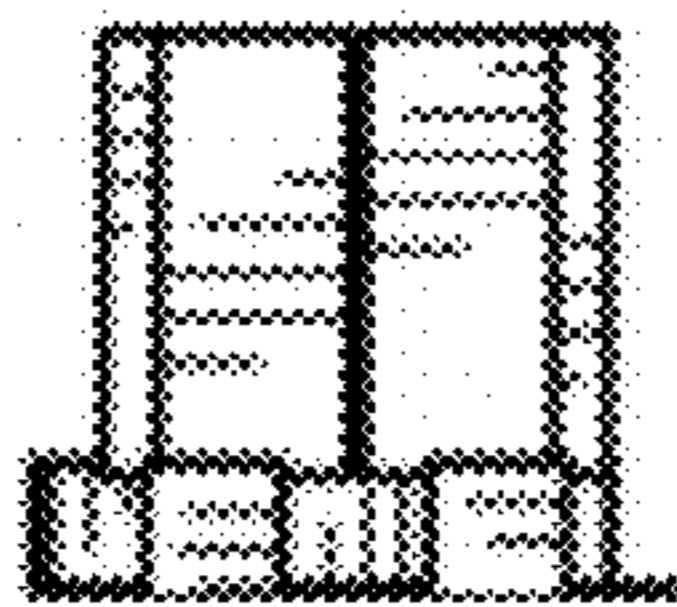


FIG. 16