



US00D672576S

(12) **United States Design Patent**  
**Shea**

(10) **Patent No.:** **US D672,576 S**  
(45) **Date of Patent:** **\*\* Dec. 18, 2012**

(54) **ROTATABLE MERCHANDISE DISPLAY**

(75) Inventor: **Thomas M. Shea**, Troy, MI (US)

(73) Assignee: **T.M. Shea Products, Inc.**, Troy, MI (US)

(\*\*) Term: **14 Years**

(21) Appl. No.: **29/402,041**

(22) Filed: **Sep. 20, 2011**

(51) **LOC (9) Cl.** ..... **06-04**

(52) **U.S. Cl.** ..... **D6/455; D20/21**

(58) **Field of Classification Search** ..... D6/396,  
D6/397, 449, 450, 545-470; 211/1, 4, 10,  
211/13.1, 40, 49.1, 50, 71.01, 72, 79, 85.6,  
211/86.01, 149, 189; D20/10, 17, 19, 21,  
D20/39, 42, 43; D25/126; 40/124, 484,  
40/503, 505, 606.01

See application file for complete search history.

(56) **References Cited**

**U.S. PATENT DOCUMENTS**

3,383,785	A *	5/1968	Werner	.....	40/505
D233,087	S *	10/1974	Martin	.....	D6/455
3,931,894	A *	1/1976	Murphy	.....	211/189
D281,336	S *	11/1985	Ahlgren	.....	D20/21
4,608,773	A *	9/1986	White	.....	40/606.01
5,485,693	A *	1/1996	Frenken et al.	.....	40/505
D393,967	S *	5/1998	Grosfillex	.....	D6/495
D412,015	S *	7/1999	Greenfield	.....	D20/17
D431,265	S *	9/2000	Herbst	.....	D20/10

6,256,912	B1 *	7/2001	Gibson et al.	.....	40/503
D473,594	S *	4/2003	Gibson et al.	.....	D20/21
D525,721	S *	7/2006	Landes	.....	D25/126
D546,394	S *	7/2007	Tanaka et al.	.....	D20/39
D608,832	S *	1/2010	Pedroza	.....	D20/21
8,166,683	B2 *	5/2012	Cheetwood	.....	40/124
2008/0229637	A1 *	9/2008	Joukov	.....	40/606.01
2010/0236111	A1 *	9/2010	Cheetwood	.....	40/124

\* cited by examiner

*Primary Examiner* — Mary Ann Calabrese

(74) *Attorney, Agent, or Firm* — Harness, Dickey & Pierce, P.L.C.

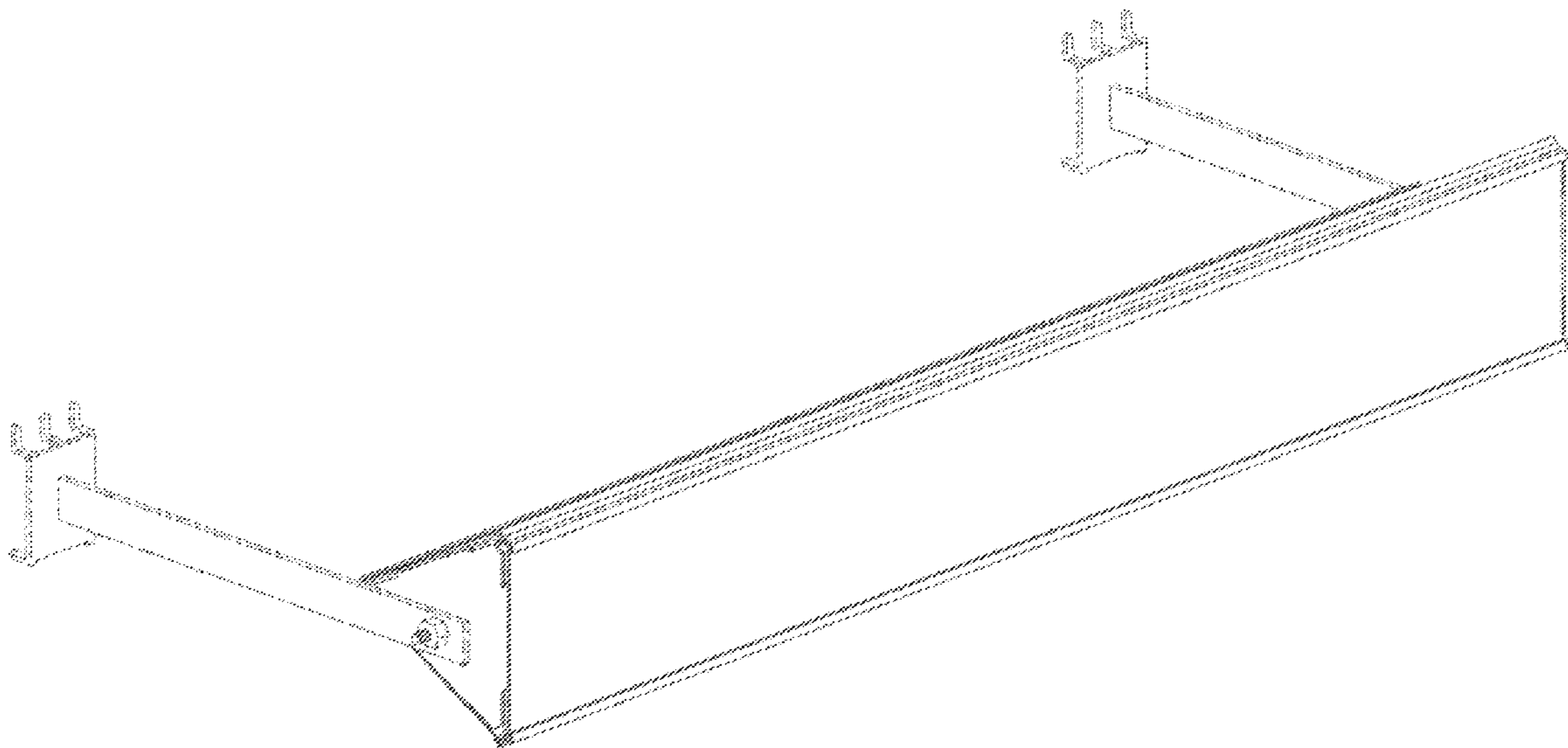
(57) **CLAIM**

The ornamental design for a rotatable merchandise display, as shown and described.

**DESCRIPTION**

FIG. 1 is a perspective view of a rotatable merchandise display showing my design;  
 FIG. 2 is another perspective view thereof;  
 FIG. 3 is a rear view thereof;  
 FIG. 4 is a front view thereof;  
 FIG. 5 is a left side view thereof, it being understood that the opposite side to that shown is a mirror image thereof;  
 FIG. 6 is a top view thereof; and,  
 FIG. 7 is a bottom view thereof.  
 It being understood that the broken lines throughout the drawings are for environment only and form no part of the claimed design.

**1 Claim, 7 Drawing Sheets**



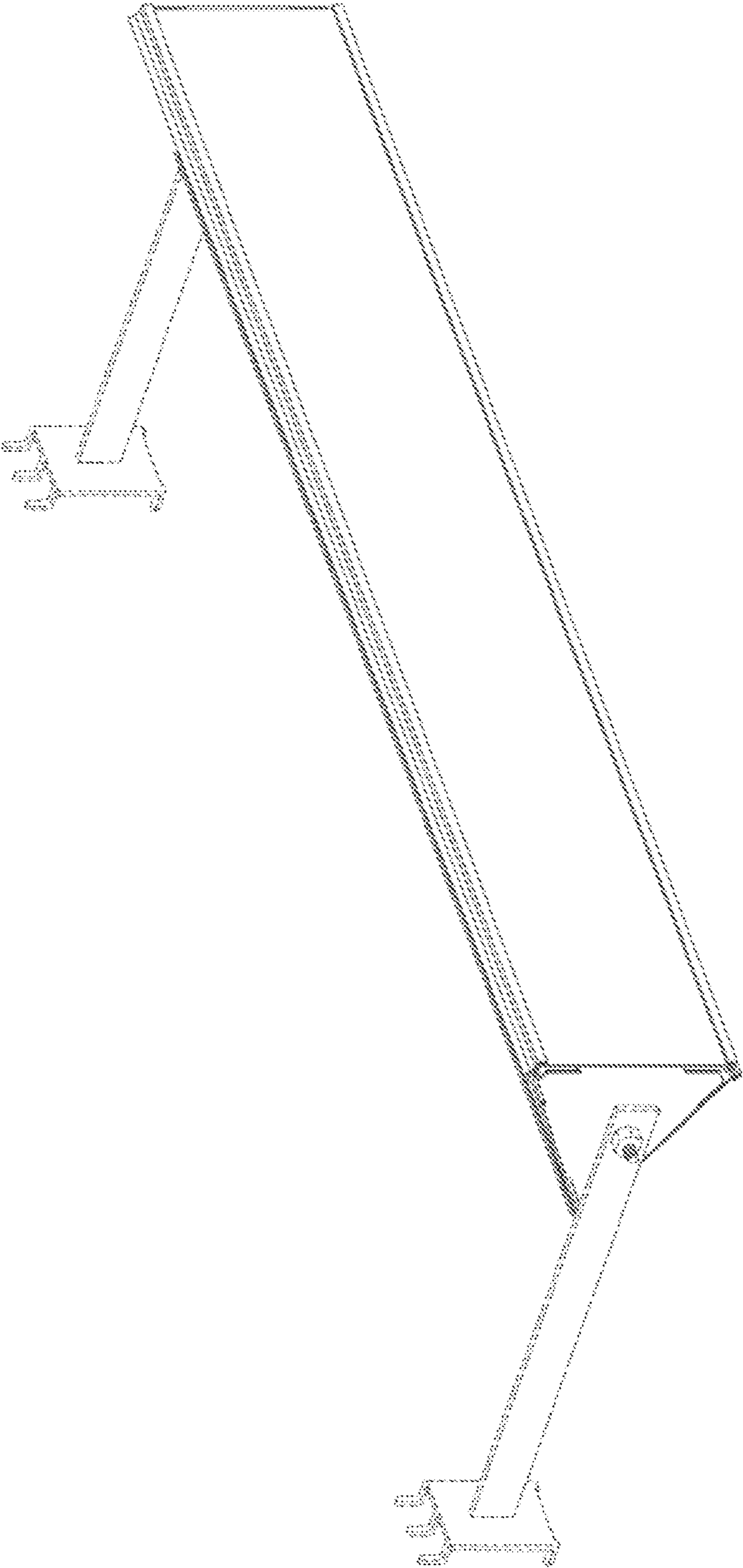


Fig-1

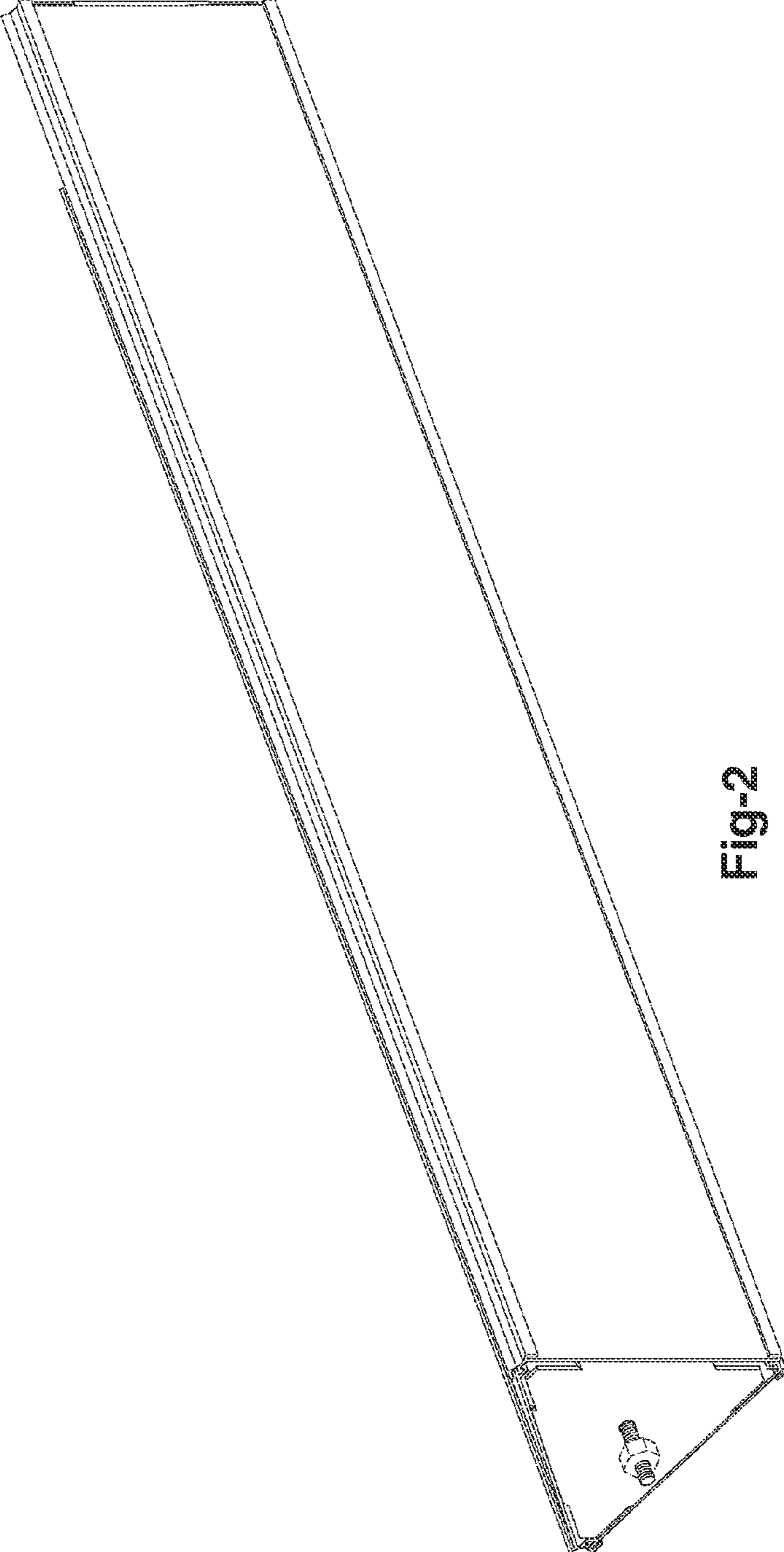


Fig-2

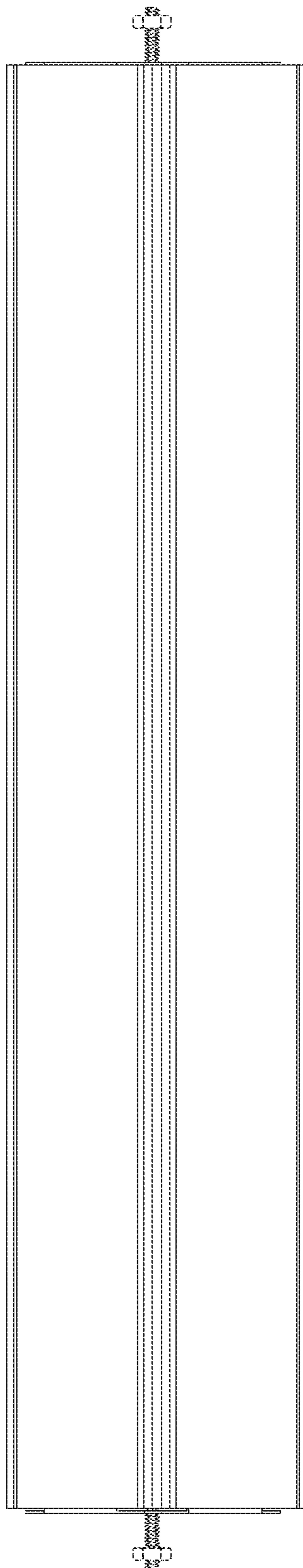


Fig-3

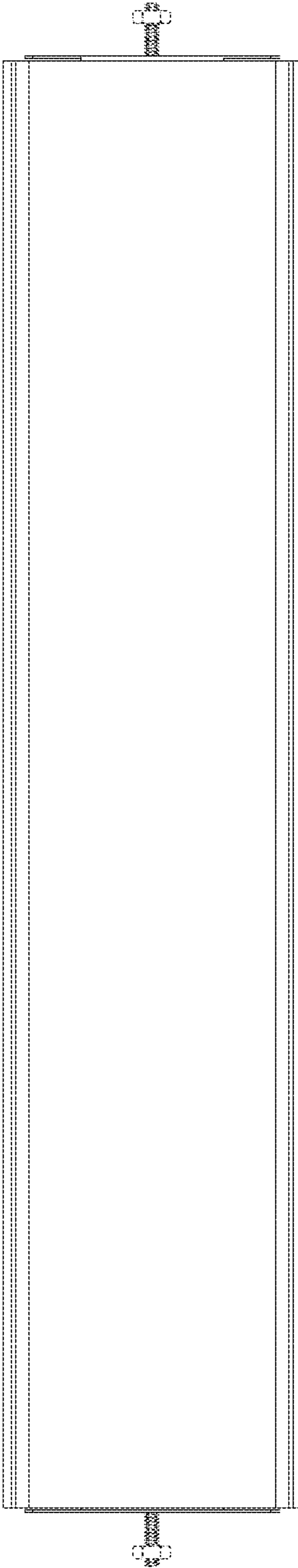


Fig-4

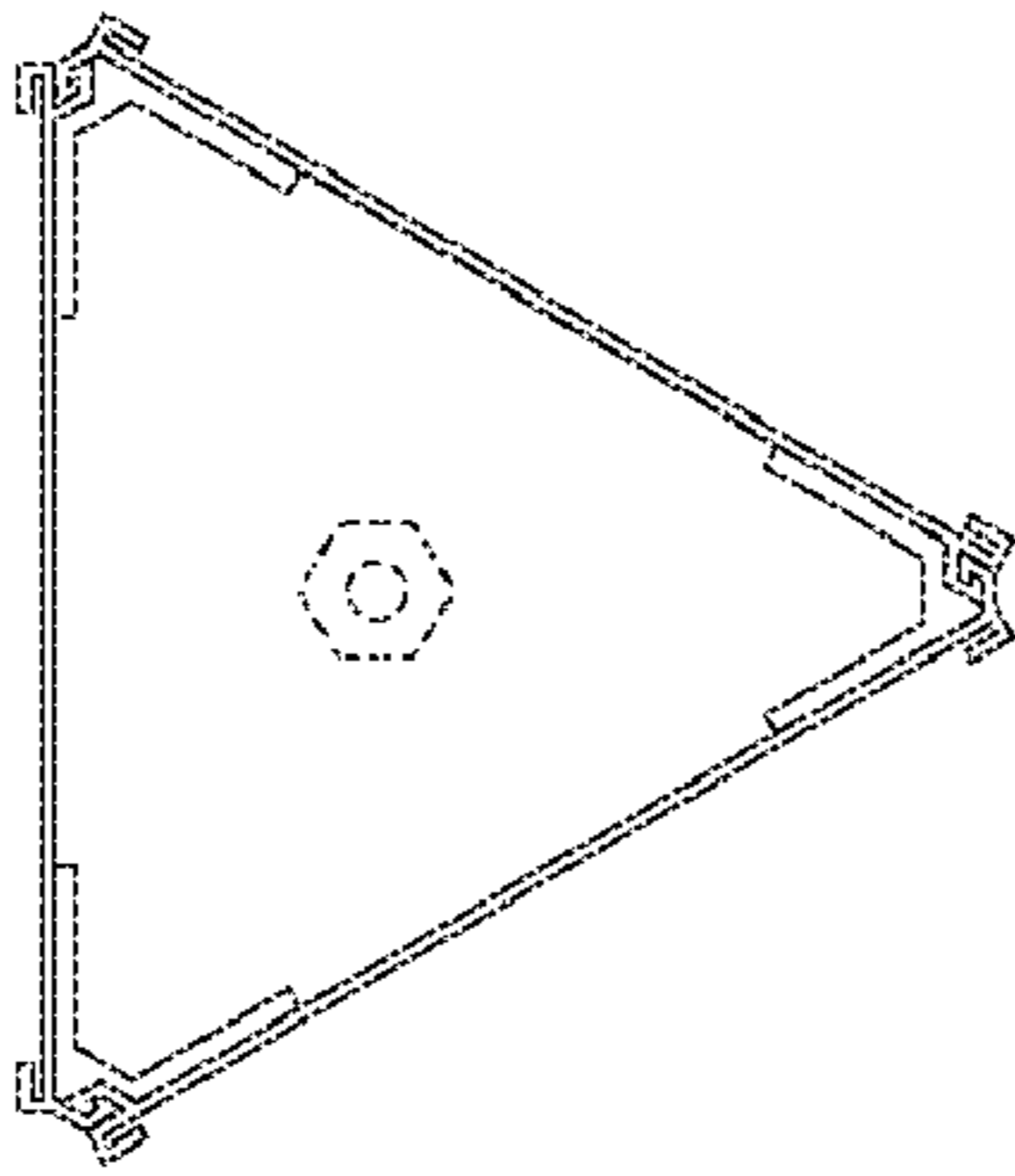


Fig-5

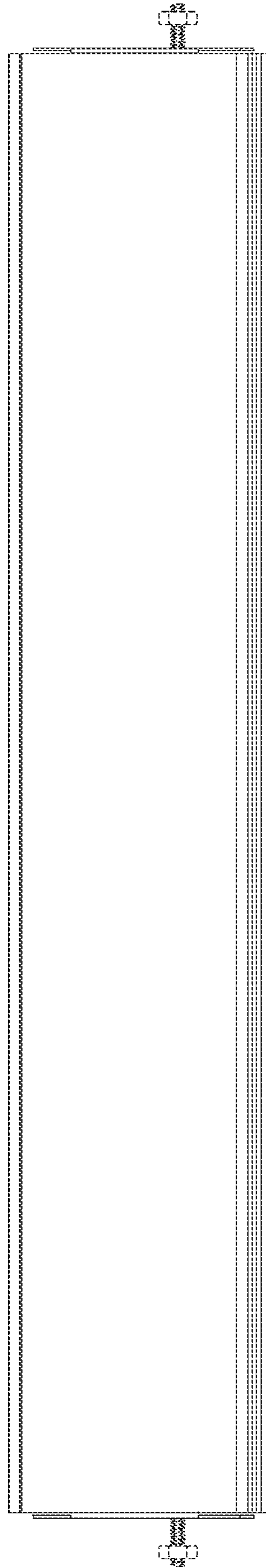


Fig. 6

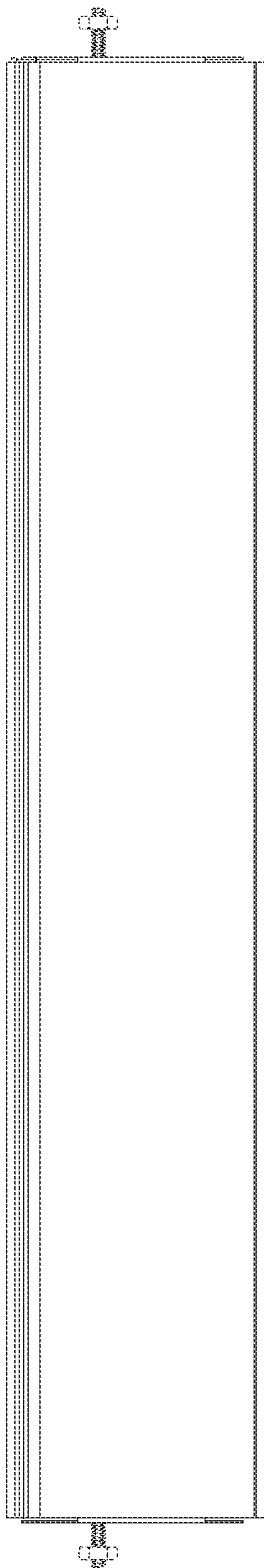


Fig-7