



US00D672570S

(12) **United States Design Patent**
Rappaport

(10) **Patent No.:** **US D672,570 S**

(45) **Date of Patent:** **** Dec. 18, 2012**

(54) **CHAIR**

(76) Inventor: **Jesse Rappaport**, Portland, OR (US)

(**) Term: **14 Years**

(21) Appl. No.: **29/402,551**

(22) Filed: **Sep. 23, 2011**

(51) **LOC (9) Cl.** **06-01**

(52) **U.S. Cl.** **D6/363; D6/368**

(58) **Field of Classification Search** D6/334-336,
D6/363, 368, 371-373, 374, 375, 379, 500-502;
297/16.1, 18, 31, 45, 46, 59, 440.11, 452.13
See application file for complete search history.

(56) **References Cited**

U.S. PATENT DOCUMENTS

D310,605 S *	9/1990	Kwon	D6/368
D380,306 S *	7/1997	Lin	D6/363
D382,126 S *	8/1997	Lee	D6/368
D531,831 S *	11/2006	Andersson	D6/368

* cited by examiner

Primary Examiner — Mimosa De

(74) *Attorney, Agent, or Firm* — Peter A Haas Esquire LLC

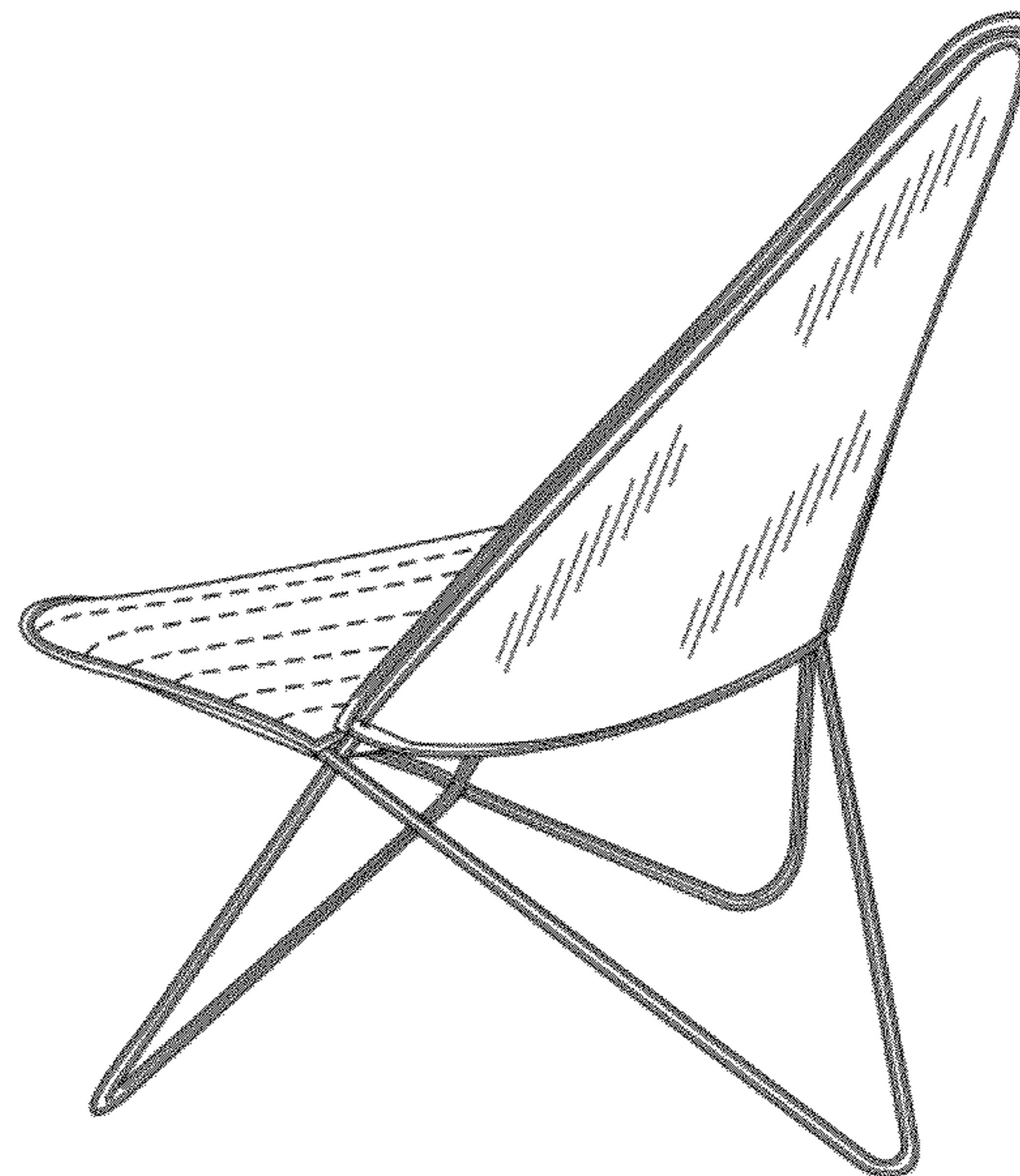
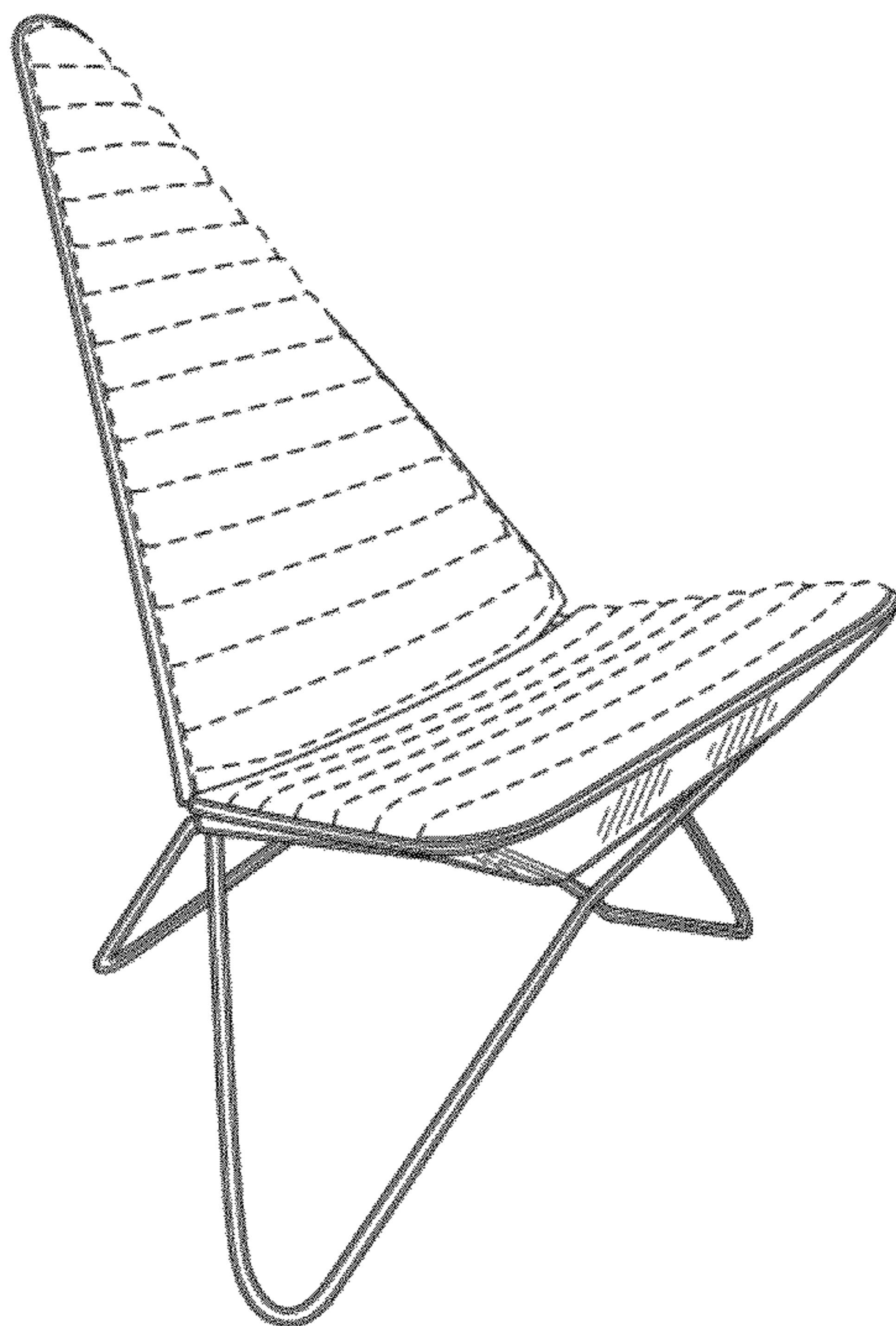
(57) **CLAIM**

The ornamental design for a chair, as shown and described.

DESCRIPTION

FIG. 1 is an offset frontal view of the invention;
FIG. 2 is an offset rear view of the invention of FIG. 1;
FIG. 3 is a left side of the invention of FIG. 1;
FIG. 4 is a right side view of the invention of FIG. 1;
FIG. 5 is a top view of the invention of FIG. 1;
FIG. 6 is a bottom view of the invention of FIG. 1;
FIG. 7 is a front view of the invention of FIG. 1; and,
FIG. 8 is a rear view of the invention of FIG. 1.
The broken lines showing of cushion on the seat and backrest are for illustrative purposes only and form no part of the claimed design.

1 Claim, 4 Drawing Sheets



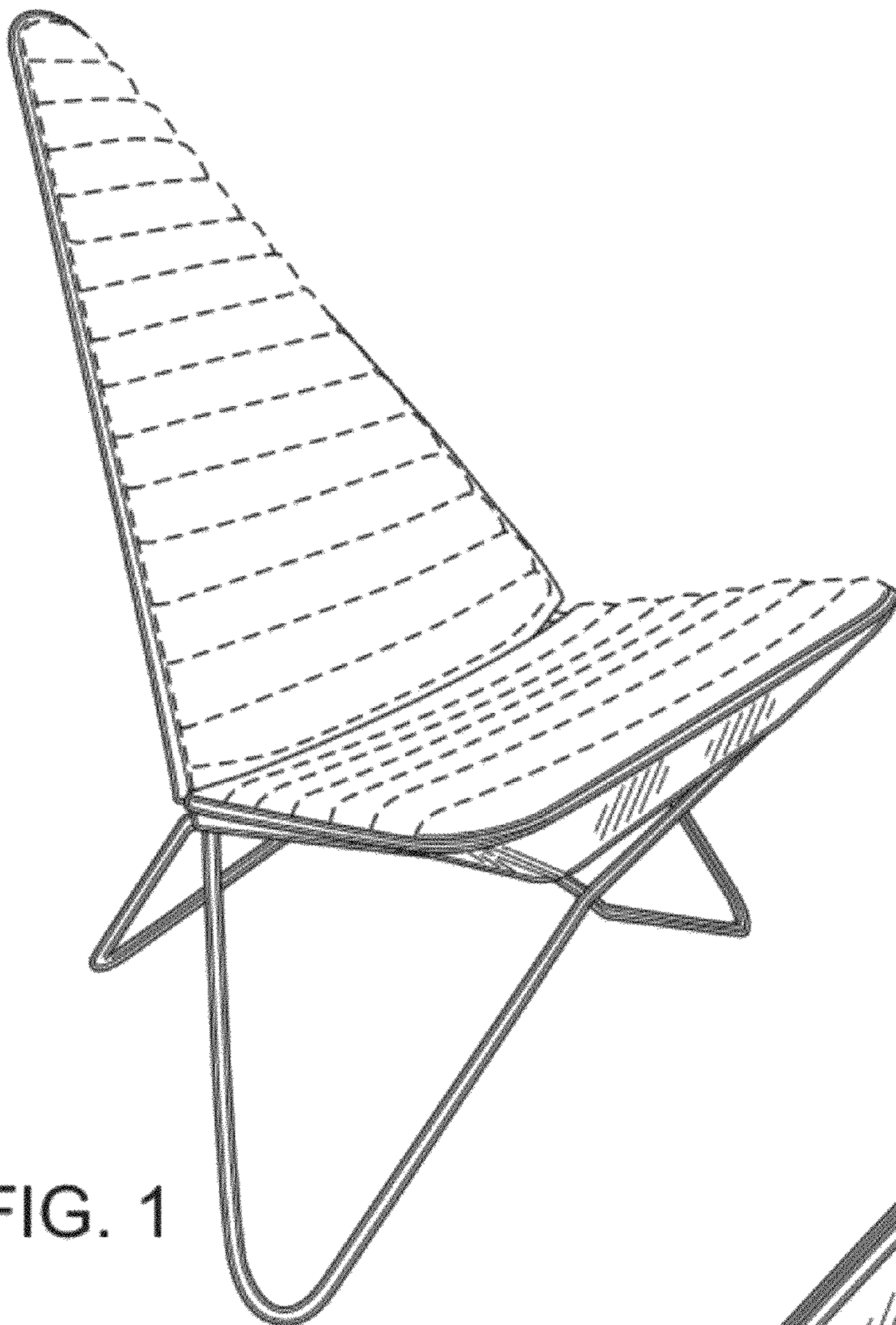


FIG. 1

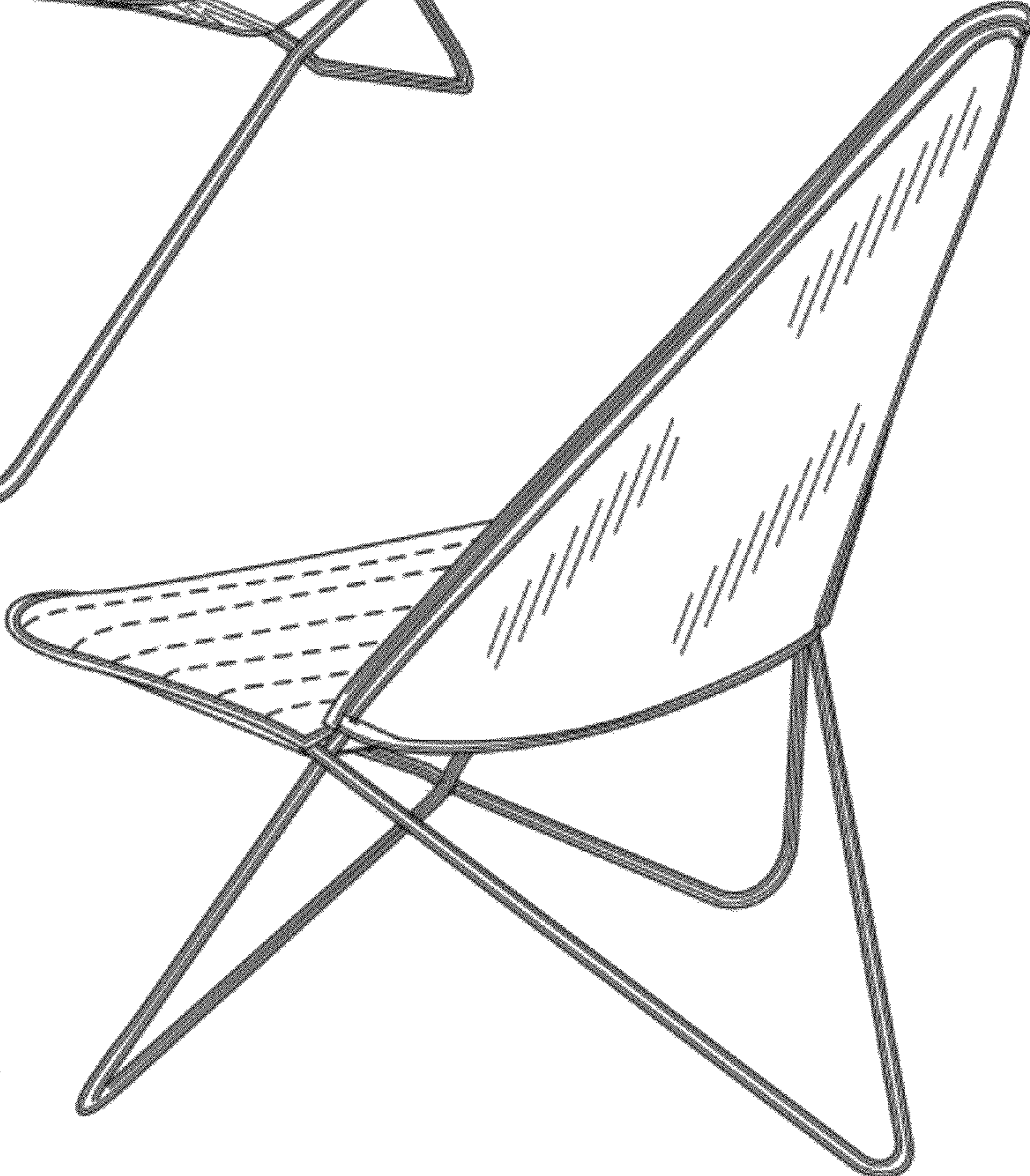


FIG. 2

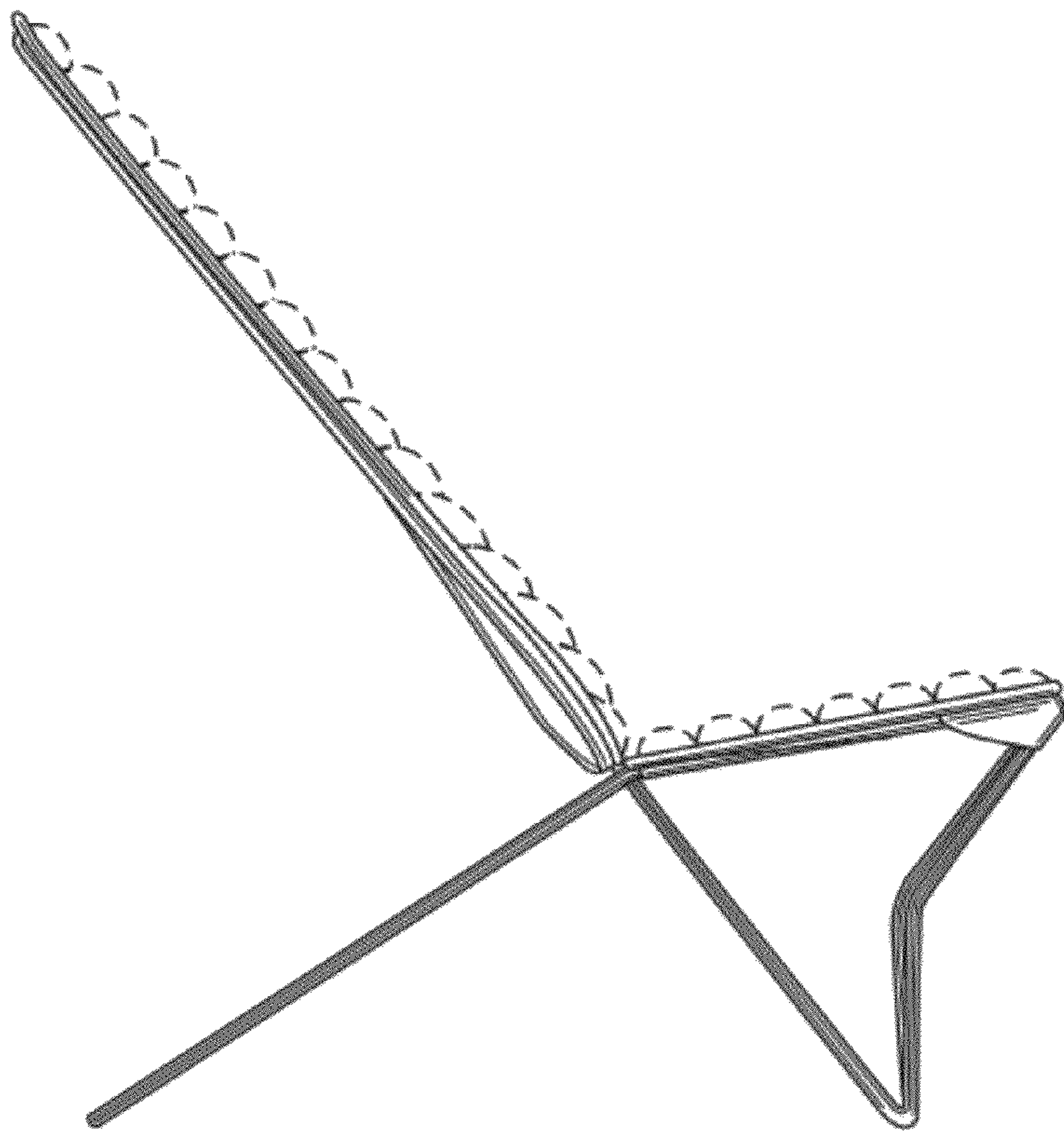


FIG. 3

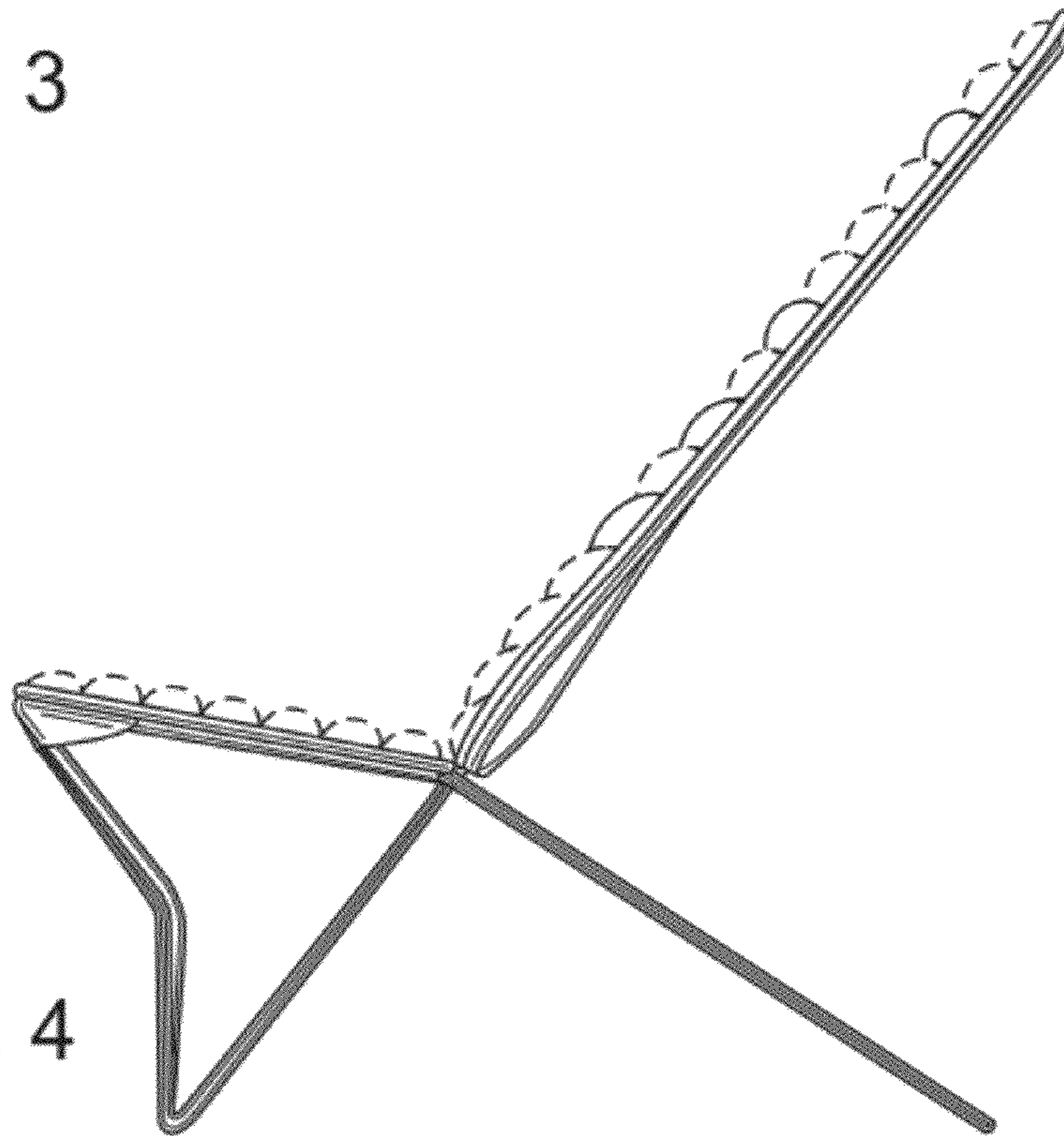


FIG. 4

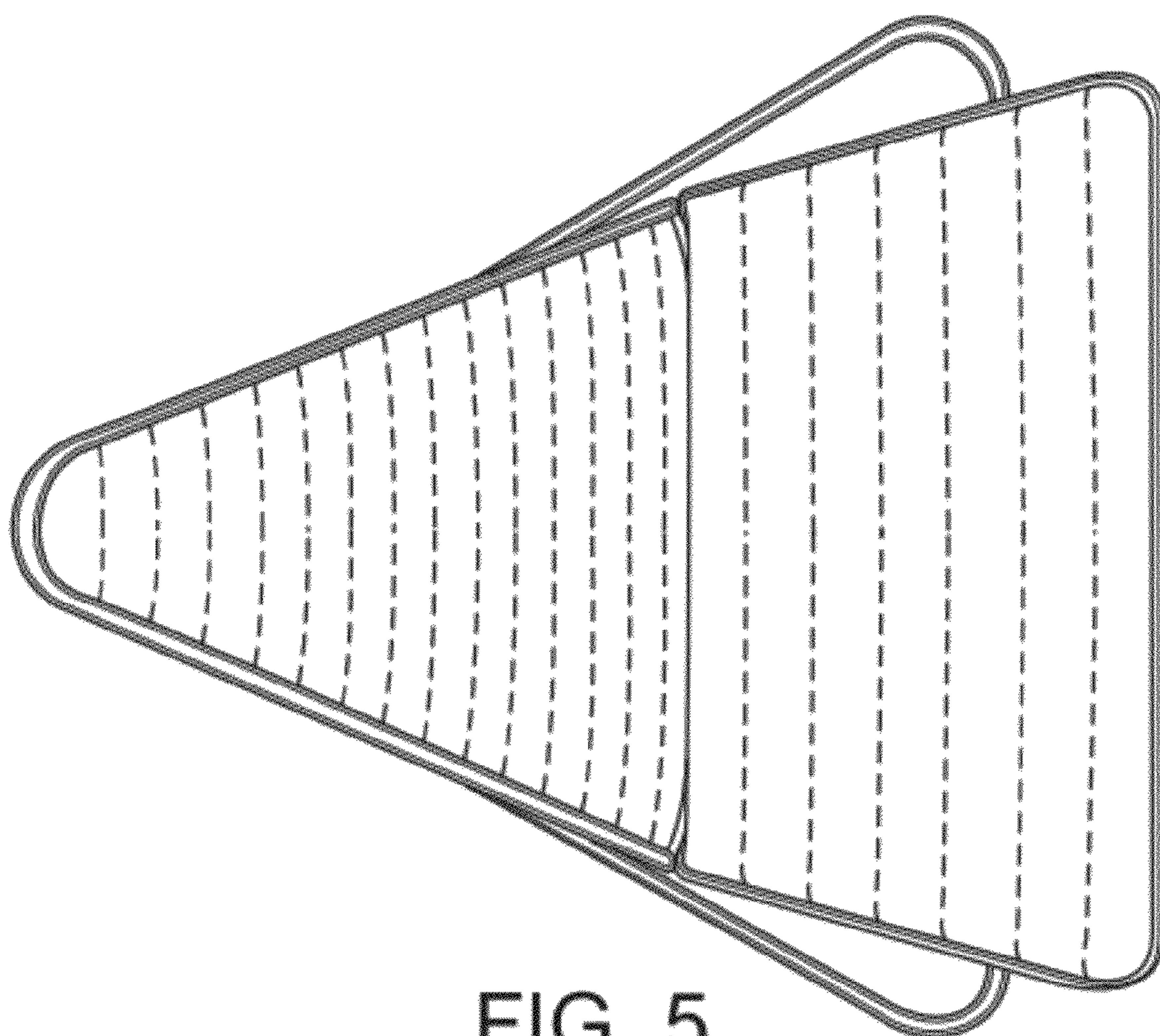


FIG. 5

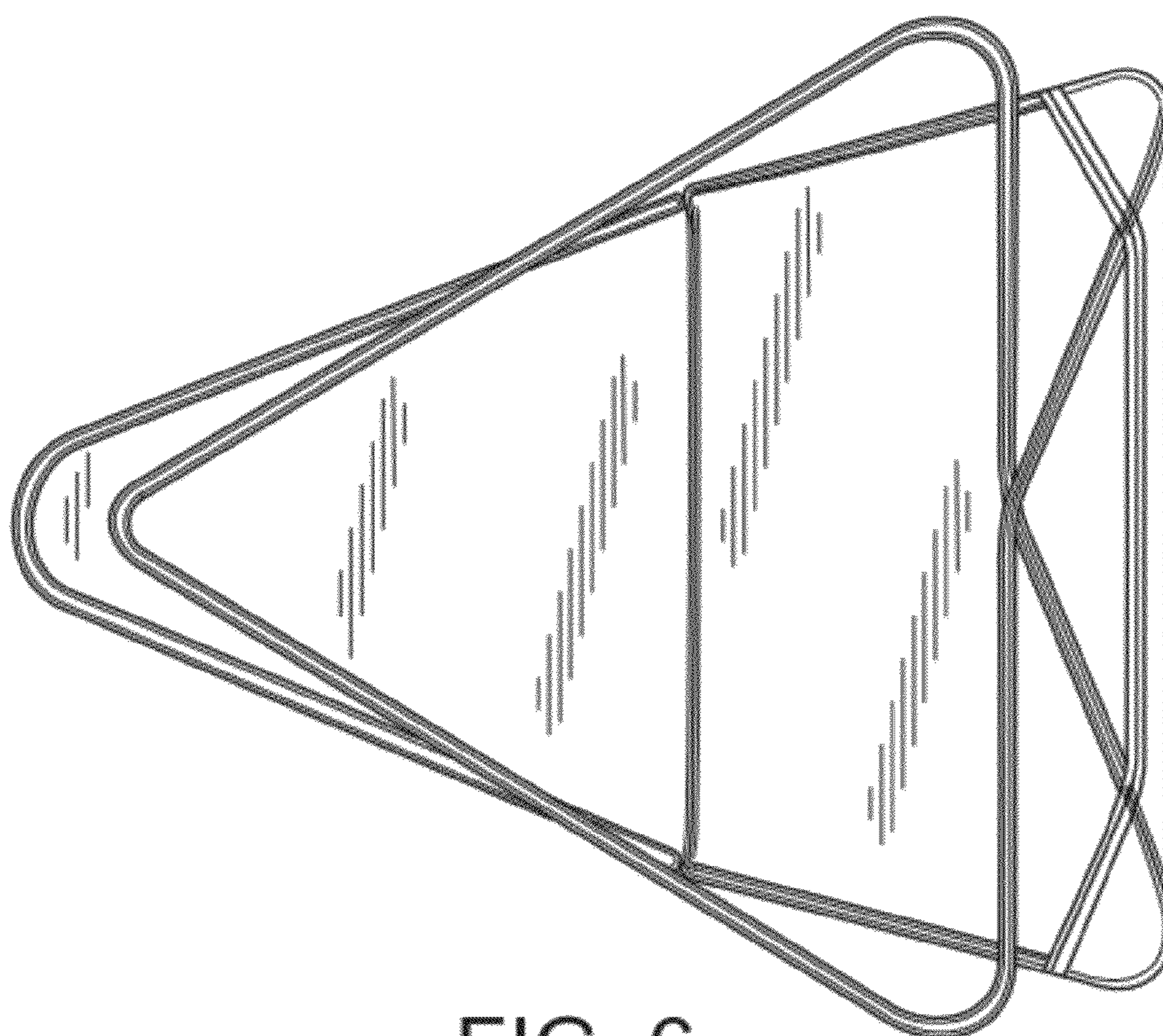


FIG. 6

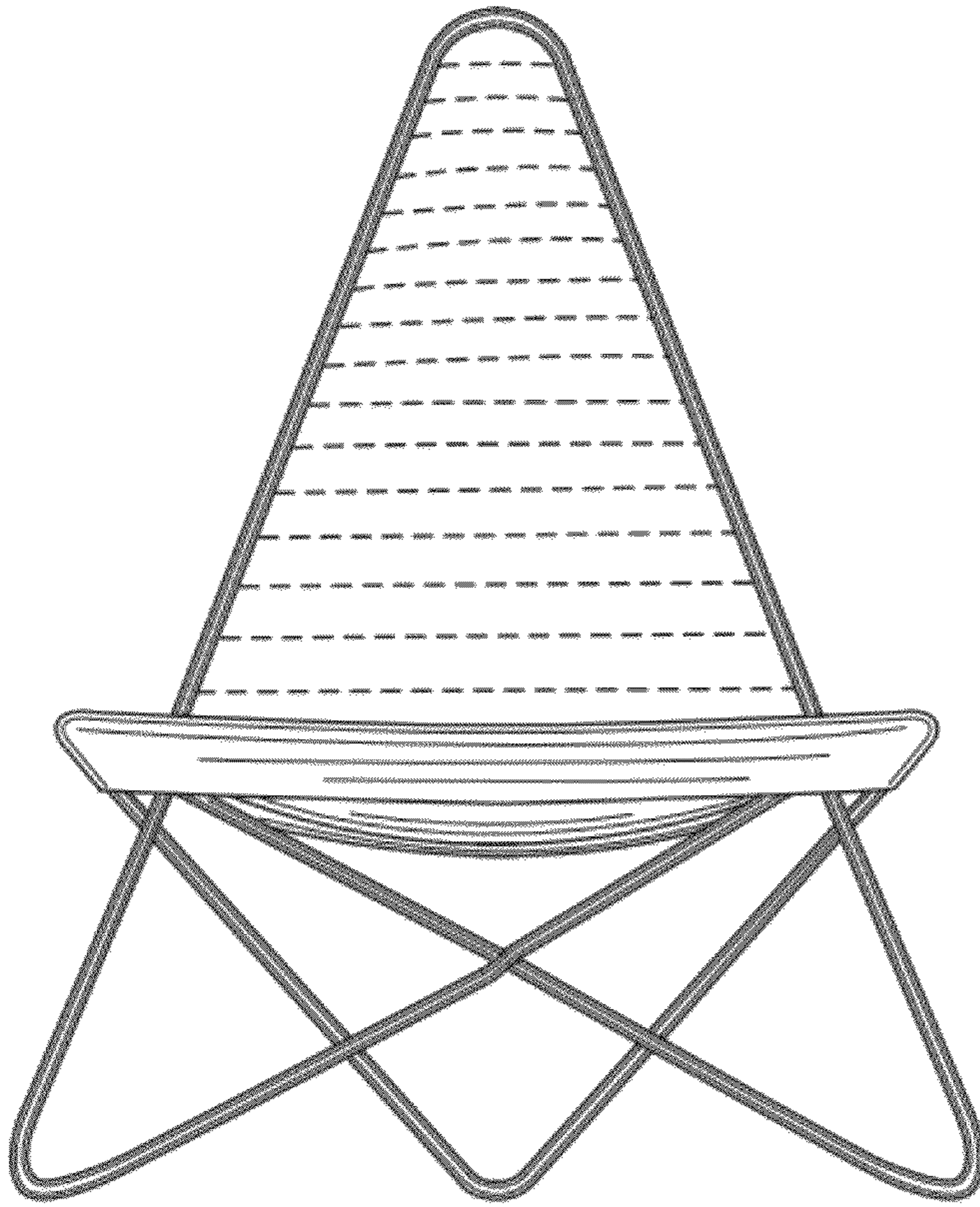


FIG. 7

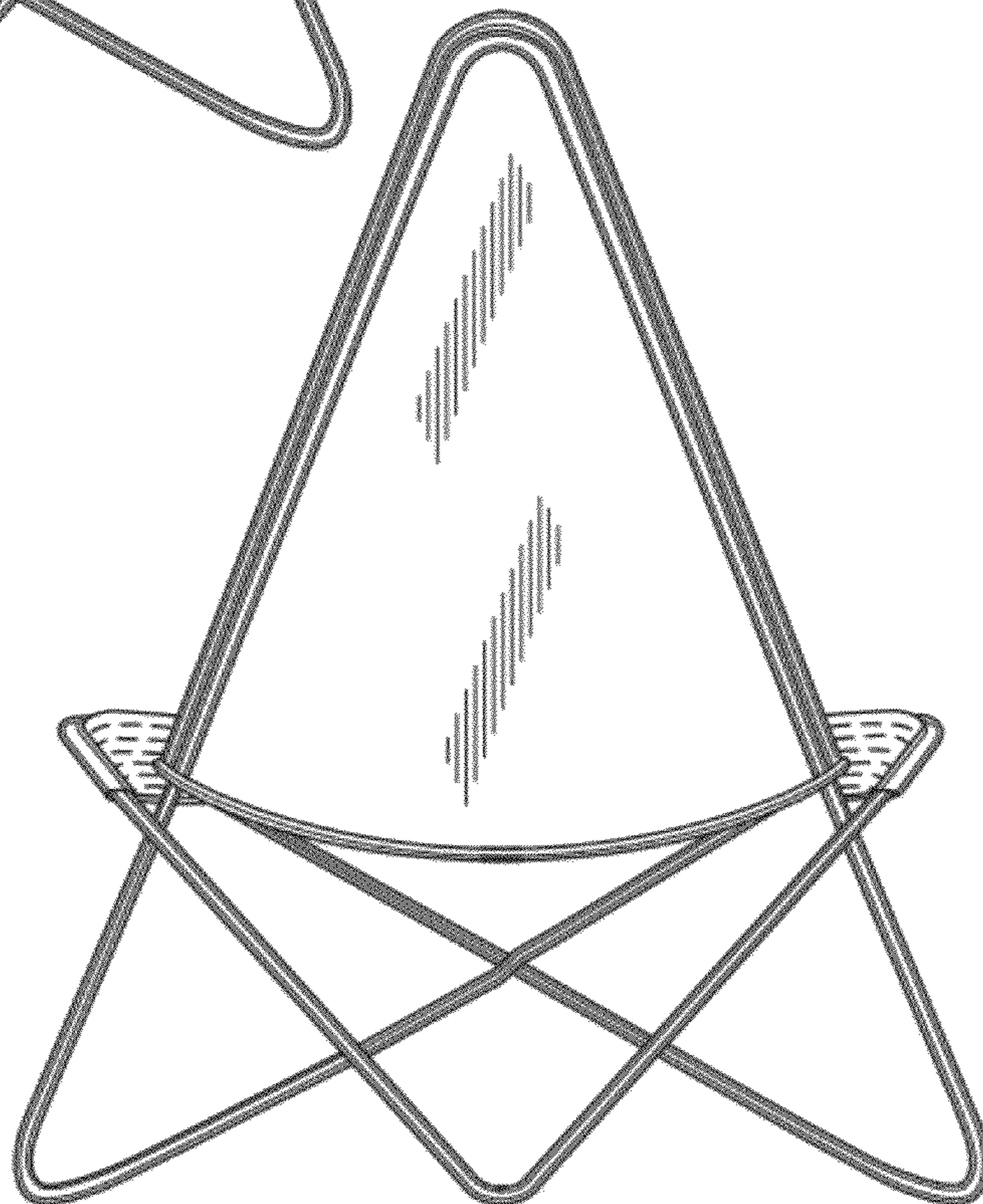


FIG. 8