



US00D672568S

(12) **United States Design Patent**  
**Keeley**

(10) **Patent No.:** **US D672,568 S**

(45) **Date of Patent:** **\*\* Dec. 18, 2012**

(54) **BASE FOR SPRING STOOL**

D333,056 S \* 2/1993 Kaye ..... D6/495  
D392,499 S \* 3/1998 Smith ..... D6/630  
D604,534 S \* 11/2009 Guggenbiller, Jr. .... D6/495

(76) Inventor: **Laurie C. Keeley**, Tulsa, OK (US)

\* cited by examiner

(\*\*) Term: **14 Years**

*Primary Examiner* — Sandra Snapp

(21) Appl. No.: **29/417,906**

(74) *Attorney, Agent, or Firm* — Gable Gotwals

(22) Filed: **Apr. 10, 2012**

(57) **CLAIM**

(51) **LOC (9) Cl.** ..... **06-01**

The ornamental design for a base for spring stool, as shown and described.

(52) **U.S. Cl.** ..... **D6/349**

(58) **Field of Classification Search** ..... D6/335,  
D6/340, 349–355, 495, 500–502; 297/16.1,  
297/175, 187, 195.1, 423.1, 423.11, 423.14,  
297/423.16, 461, 462

**DESCRIPTION**

See application file for complete search history.

FIG. 1 is a front elevation view of the base for spring stool illustrating my new design.

FIG. 2 is a right side elevation view thereof.

FIG. 3 is a left side elevation view thereof.

FIG. 4 is a rear elevation view thereof.

FIG. 5 is a top plan view thereof; and,

FIG. 6 is a bottom plan view thereof.

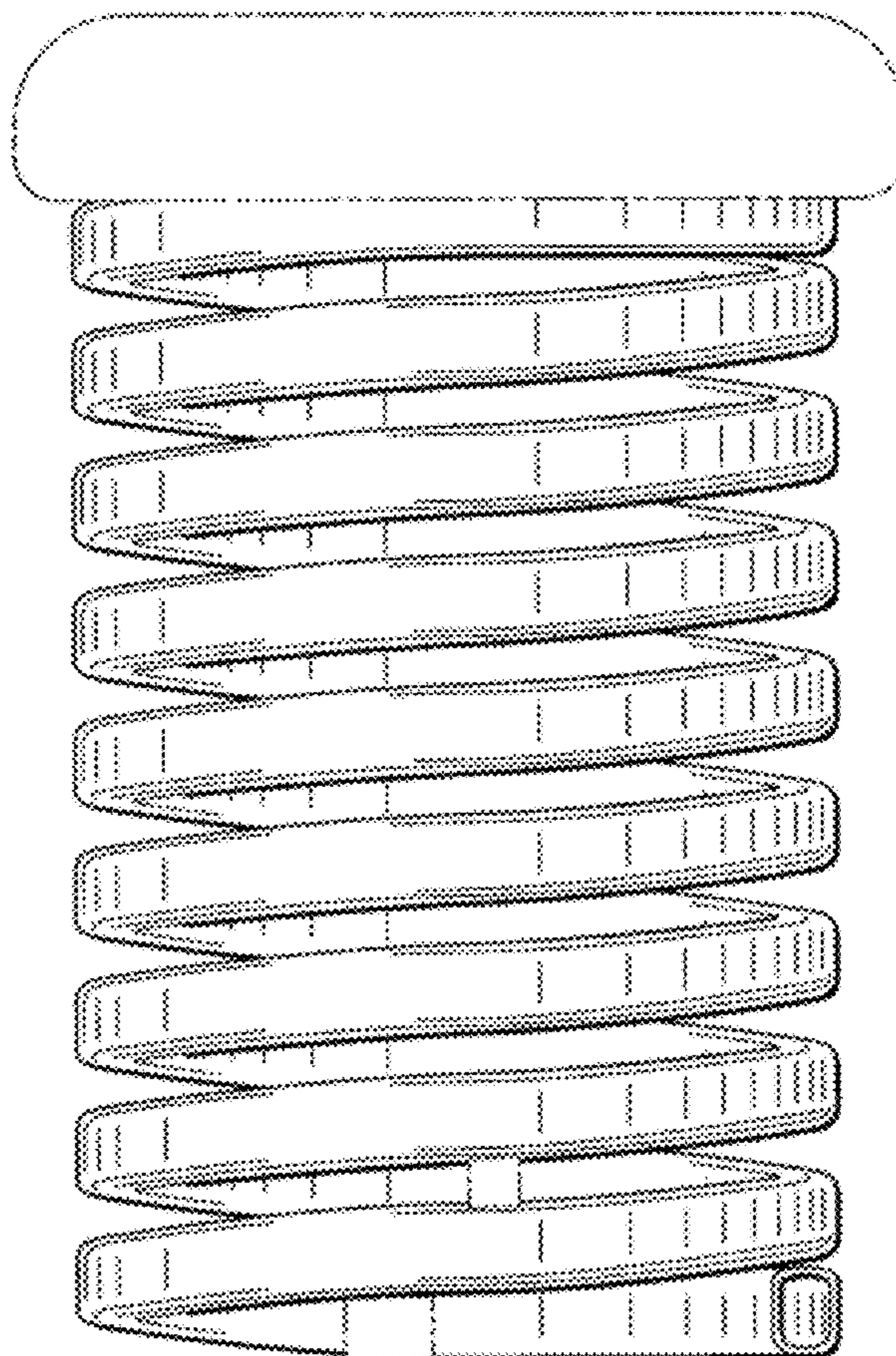
The broken lines shown in the drawings are for illustrative purposes only and form no part of the claimed design.

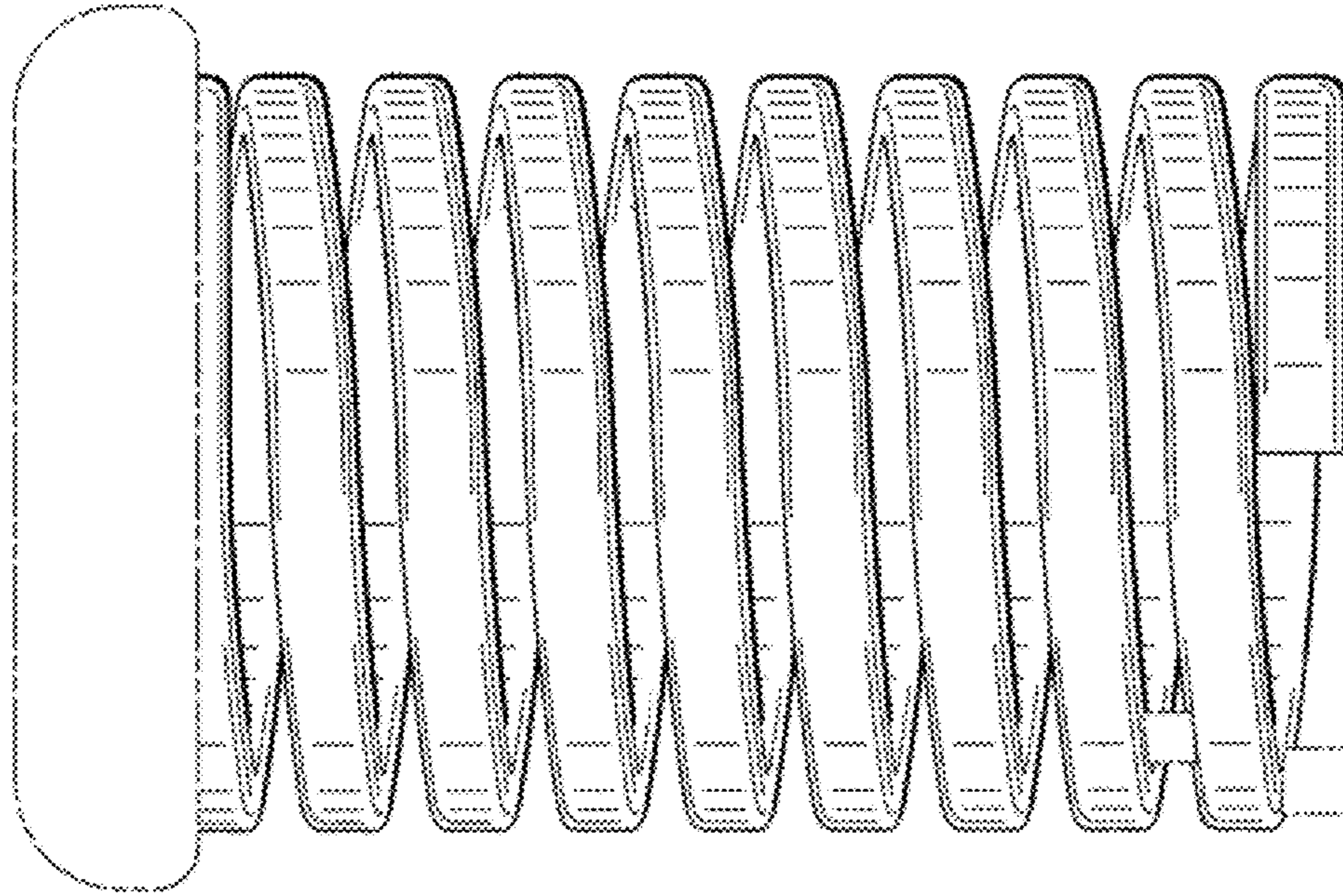
(56) **References Cited**

U.S. PATENT DOCUMENTS

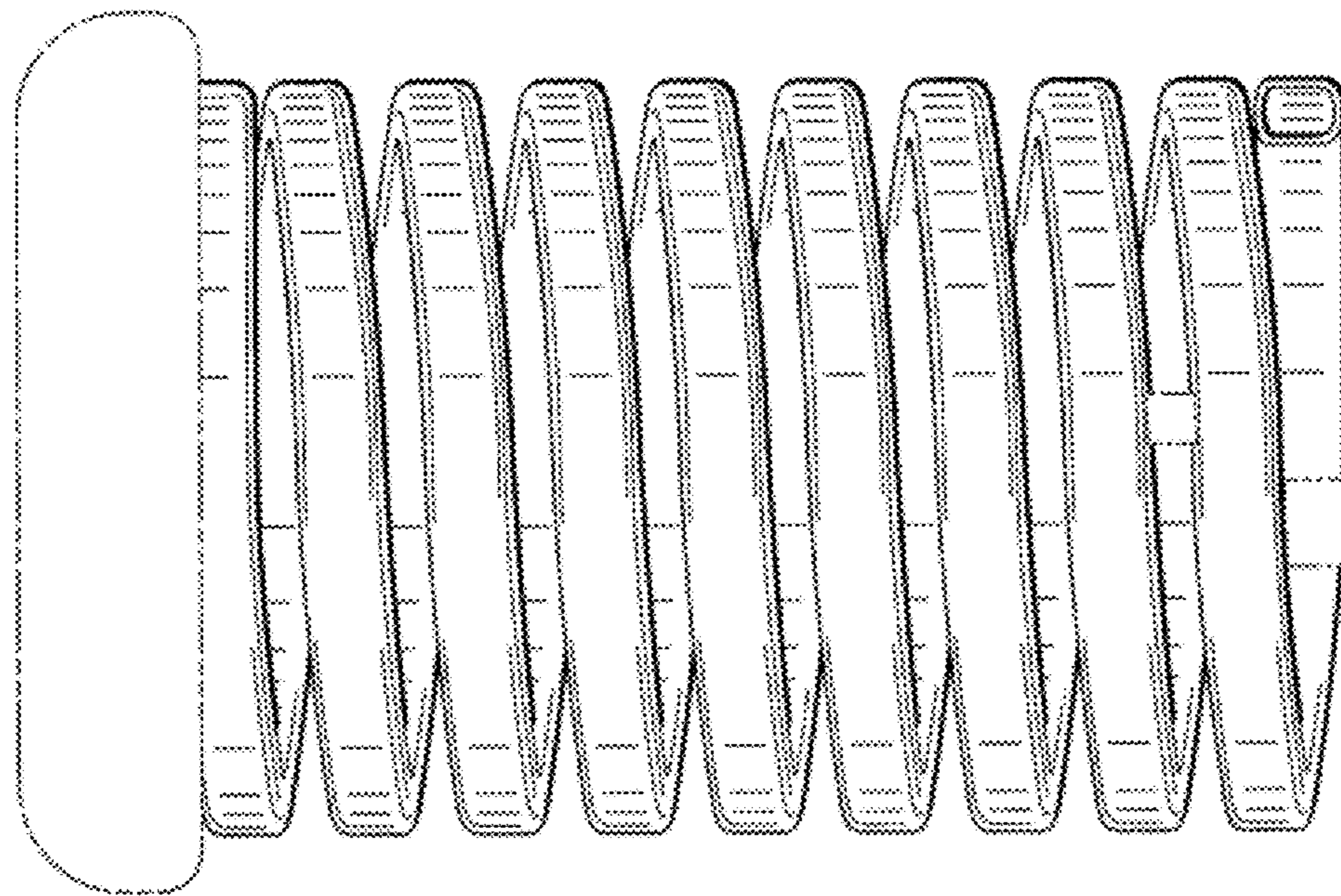
D24,855 S \* 11/1895 Trapp ..... D6/496  
D249,404 S \* 9/1978 Ambasz ..... D6/365  
D284,628 S \* 7/1986 Liautaud et al. .... D6/429  
D333,055 S \* 2/1993 Kaye ..... D6/495

**1 Claim, 3 Drawing Sheets**

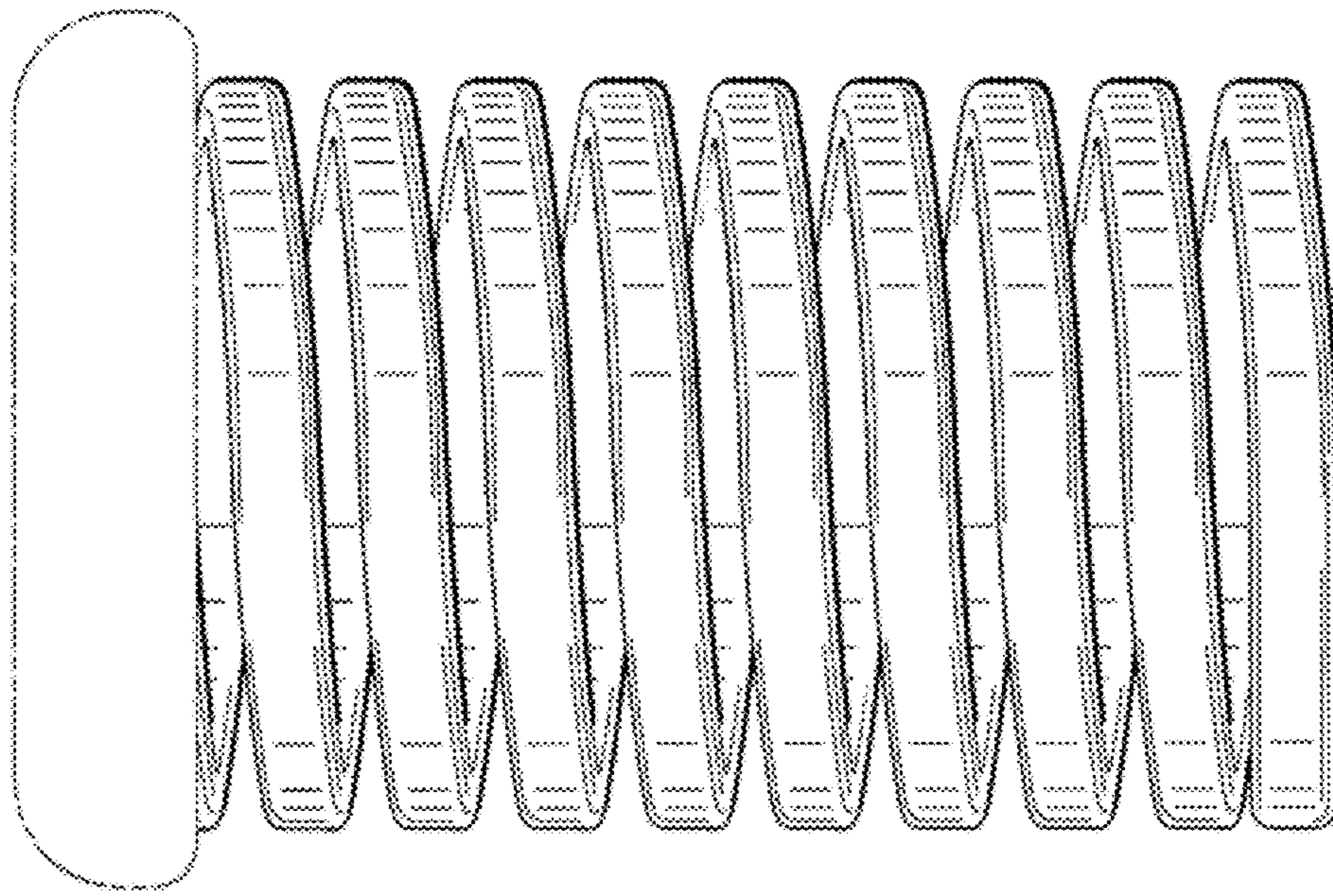




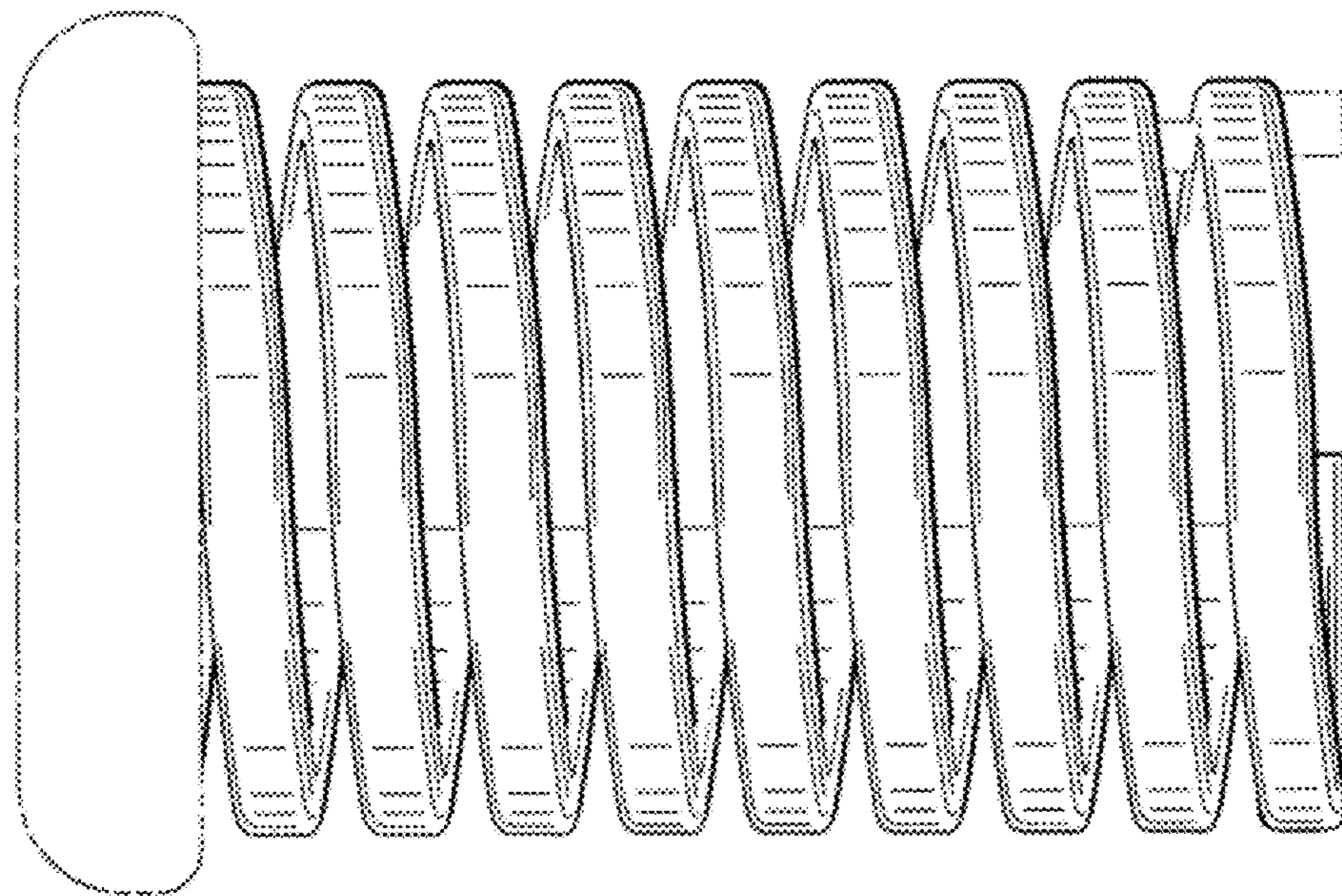
*Fig. 2*



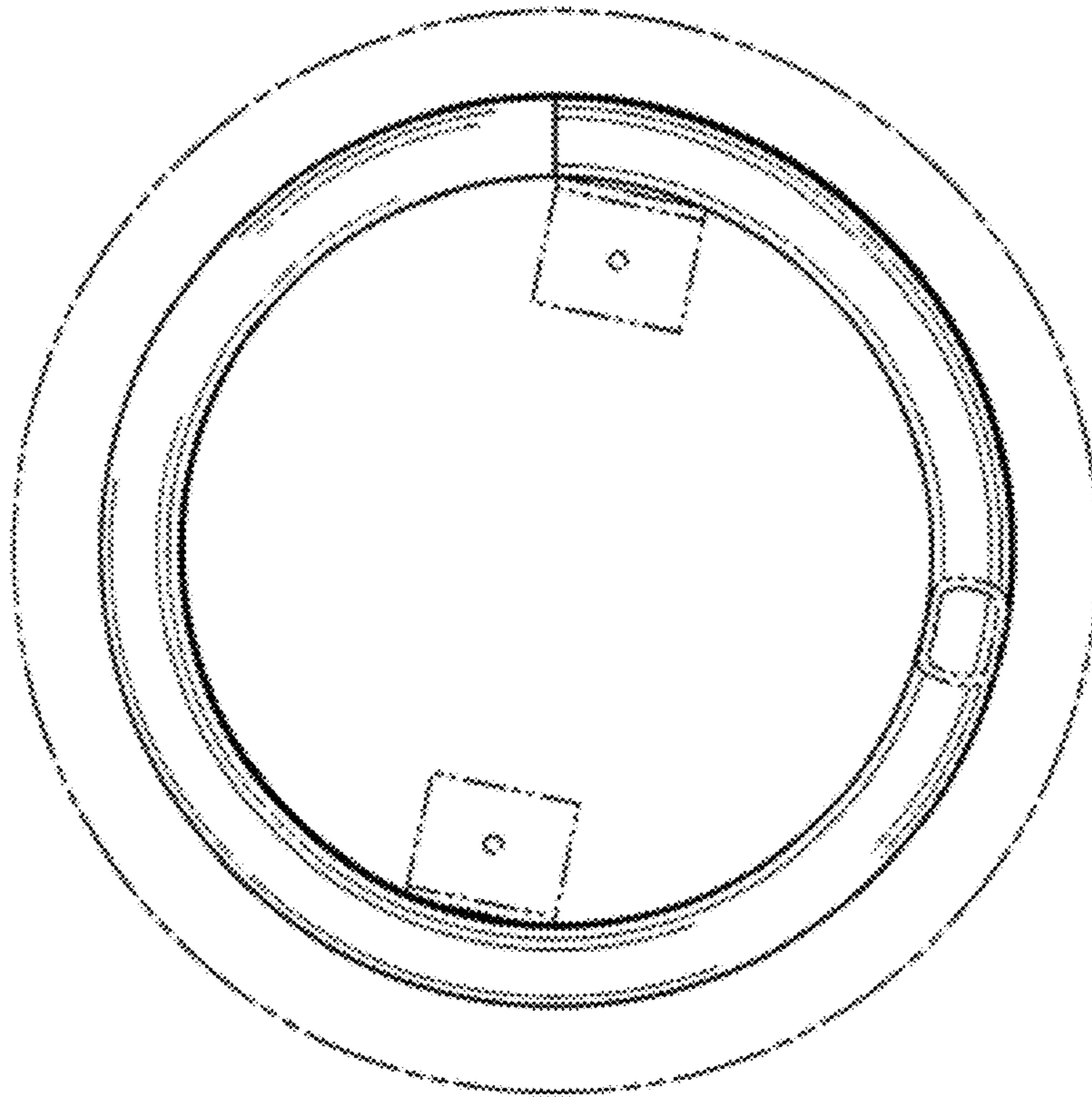
*Fig. 1*



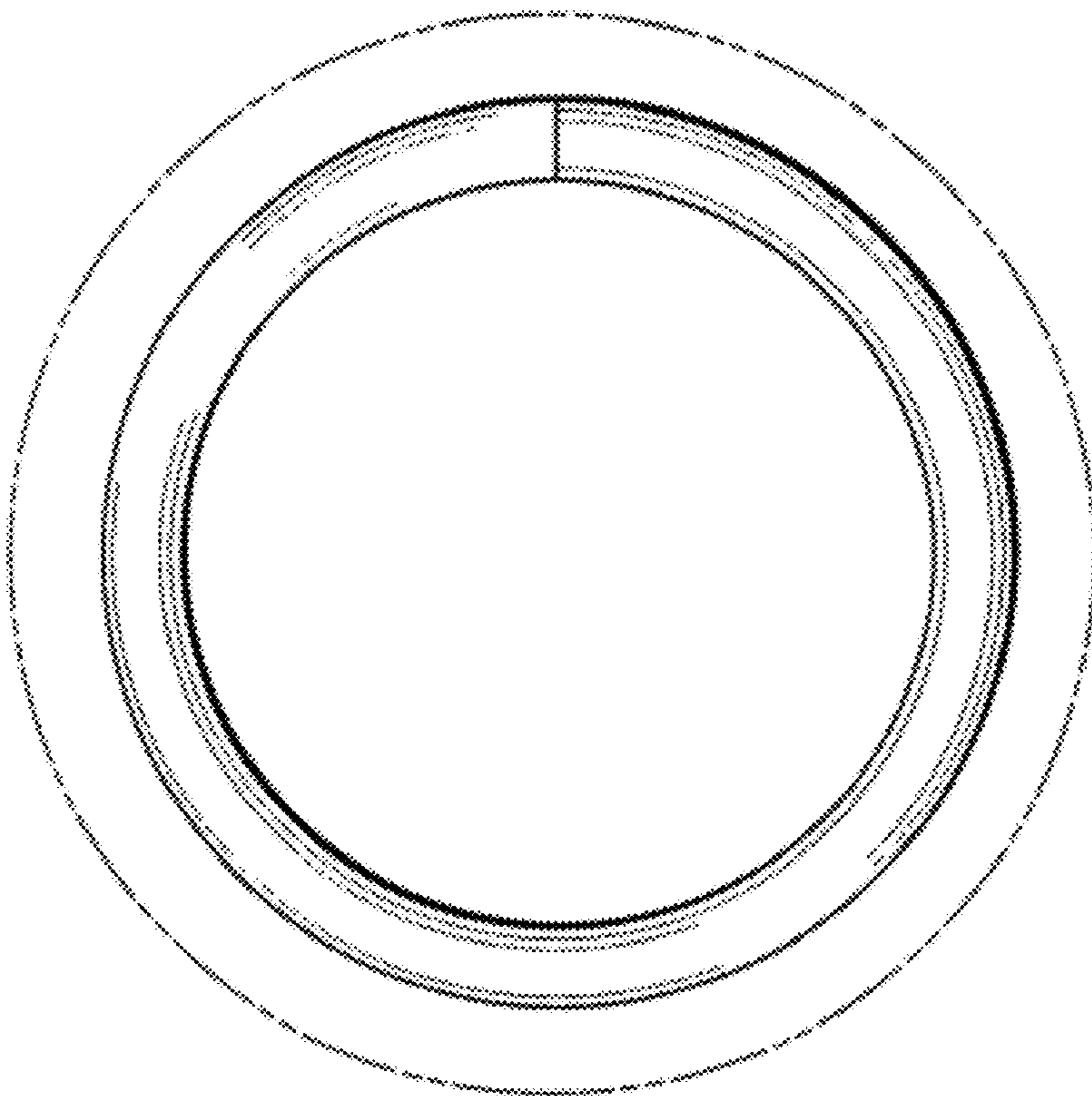
*Fig. 4*



*Fig. 3*



*Fig. 6*



*Fig. 5*