



US00D672567S

(12) **United States Design Patent**
Sclare

(10) **Patent No.:** **US D672,567 S**
(45) **Date of Patent:** **** Dec. 18, 2012**

- (54) **INFANT LOUNGER**
- (75) Inventor: **Jacob Sclare**, Dacula, GA (US)
- (73) Assignee: **Kids II, Inc.**
- (**) Term: **14 Years**
- (21) Appl. No.: **29/411,093**
- (22) Filed: **Jan. 17, 2012**

Related U.S. Application Data

- (63) Continuation of application No. 29/401,570, filed on Sep. 13, 2011.
- (51) **LOC (9) Cl.** **06-01**
- (52) **U.S. Cl.** **D6/333**
- (58) **Field of Classification Search** D6/333,
D6/335, 339, 500-502, 491, 604, 596, 601,
D6/392, 361, 356, 375; 297/184.13, 184.17,
297/219.12, 250.1, 452.12, 452.17, 452.19,
297/256.16, 256.15, 461; D21/412, 419,
D21/803, 809, 801, 769-770; 280/30-31;
D12/129, 5, 6, 316; 5/94, 98.1, 101, 53.1,
5/105, 28, 706, 417-420, 630, 636; 472/128-129;
441/35, 66, 40-42, 129-132
See application file for complete search history.

(56) **References Cited**

U.S. PATENT DOCUMENTS

2,281,629	A	5/1942	Snow	
3,633,222	A	1/1972	Greenfield	
D249,304	S	9/1978	Nash	
4,230,365	A	* 10/1980	Messinger 297/452.19
D278,004	S	3/1985	Sigona	
4,516,282	A	5/1985	Topalian et al.	
4,566,449	A	1/1986	Smith	
4,631,766	A	12/1986	Semmler et al.	

4,667,356	A	5/1987	Holmquist	
4,802,244	A	2/1989	McGrath-Saleh	
4,862,535	A	9/1989	Roberts	
D325,676	S	4/1992	Parker	
D335,772	S	5/1993	Rodriguez et al.	
5,439,008	A	8/1995	Bowman	
5,440,770	A	8/1995	Nichols	
5,551,109	A	9/1996	Tingley et al.	
5,800,368	A	9/1998	Klingemann et al.	
6,023,802	A	2/2000	King	
6,292,964	B1	9/2001	Rose et al.	
D481,435	S	* 10/2003	Zheng D21/809
6,823,545	B1	11/2004	Davis	
D500,622	S	1/2005	Owen	
D503,855	S	4/2005	Best	
6,877,176	B2	4/2005	Houghteling	
6,922,861	B1	8/2005	Mathis	
6,968,586	B2	11/2005	Havenor et al.	

(Continued)

Primary Examiner — Caron D Veynar
Assistant Examiner — Abraham Bahta

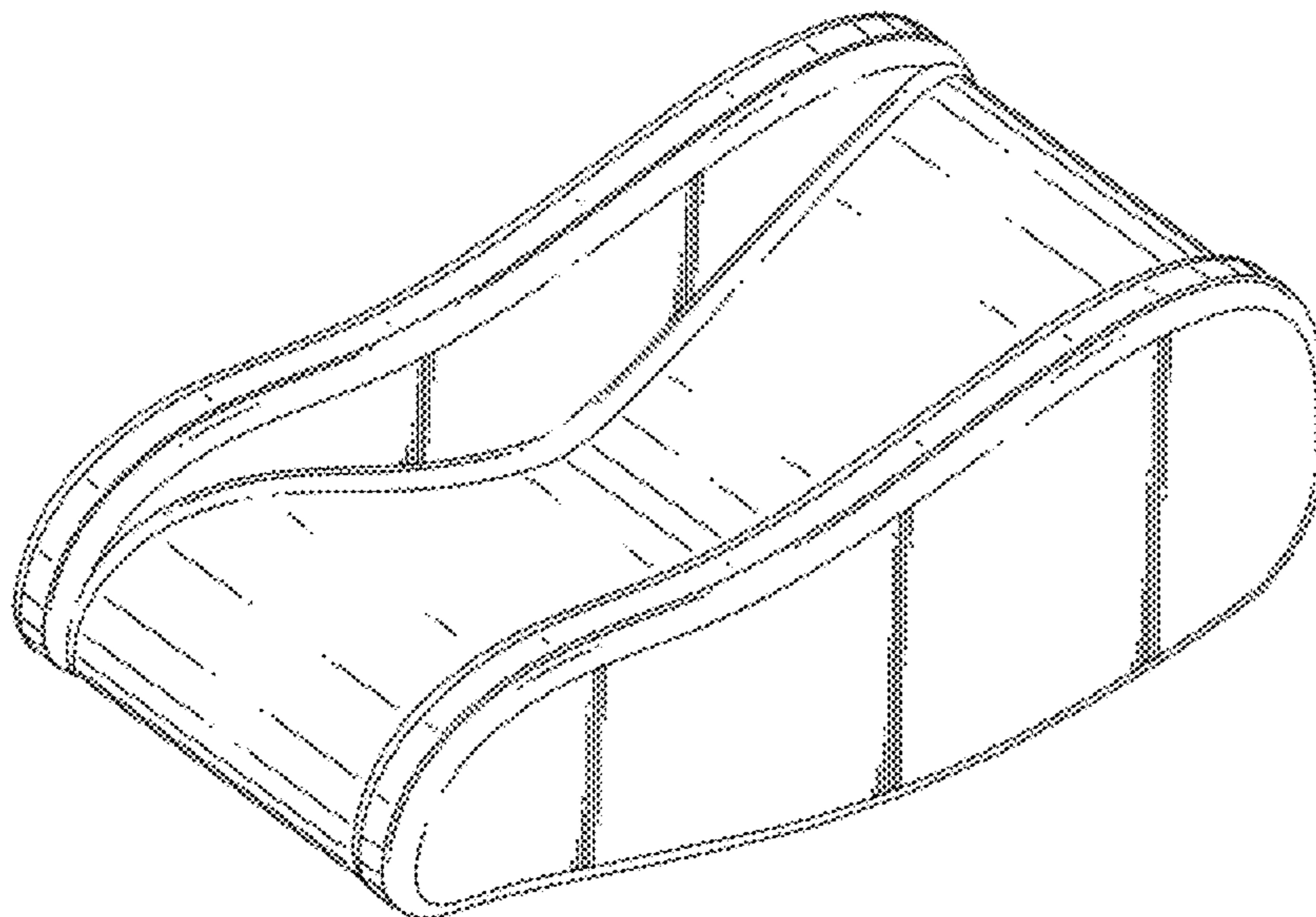
(57) **CLAIM**

The ornamental design for an infant lounger, substantially as shown and described.

DESCRIPTION

FIG. 1 is a perspective view of an infant lounger showing my new design;
 FIG. 2 is a side view of the infant lounger of FIG. 1, the opposite side being substantially a mirror image thereof;
 FIG. 3 is a front view of the infant lounger of FIG. 1;
 FIG. 4 is a top view of the infant lounger of FIG. 1;
 FIG. 5 is a back view of the infant lounger of FIG. 1; and,
 FIG. 6 is a bottom view of the infant lounger of FIG. 1.
 Portions shown in broken lines are for illustrative purposes only and form no part of the claimed design.

1 Claim, 3 Drawing Sheets



US D672,567 S

Page 2

U.S. PATENT DOCUMENTS

D525,804 S	8/2006	Schwartz		7,647,660 B2	1/2010	Tullous
D528,182 S *	9/2006	Rominger D21/809	D610,853 S	3/2010	Straub
D530,933 S	10/2006	Vitaro		7,698,764 B2	4/2010	Kemm
7,234,181 B1	6/2007	Griggs		7,716,764 B2	5/2010	Joe et al.
D548,479 S	8/2007	Clark		D648,550 S	11/2011	Owen
7,418,752 B2	9/2008	Kemm		8,074,312 B2	12/2011	Tullous
D608,102 S	1/2010	Kemm		2008/0029103 A1	2/2008	Regev et al.

* cited by examiner

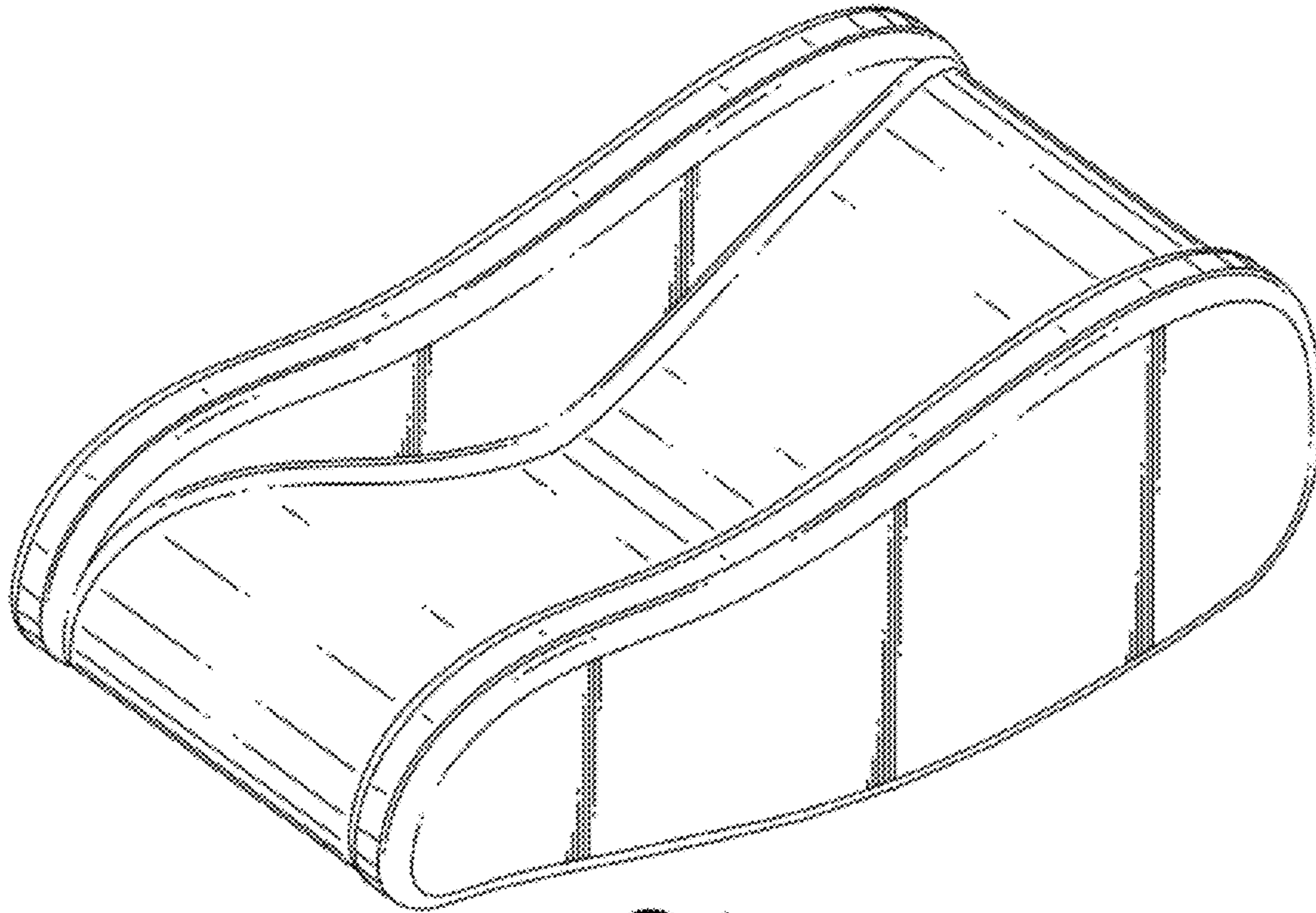


Fig. 1

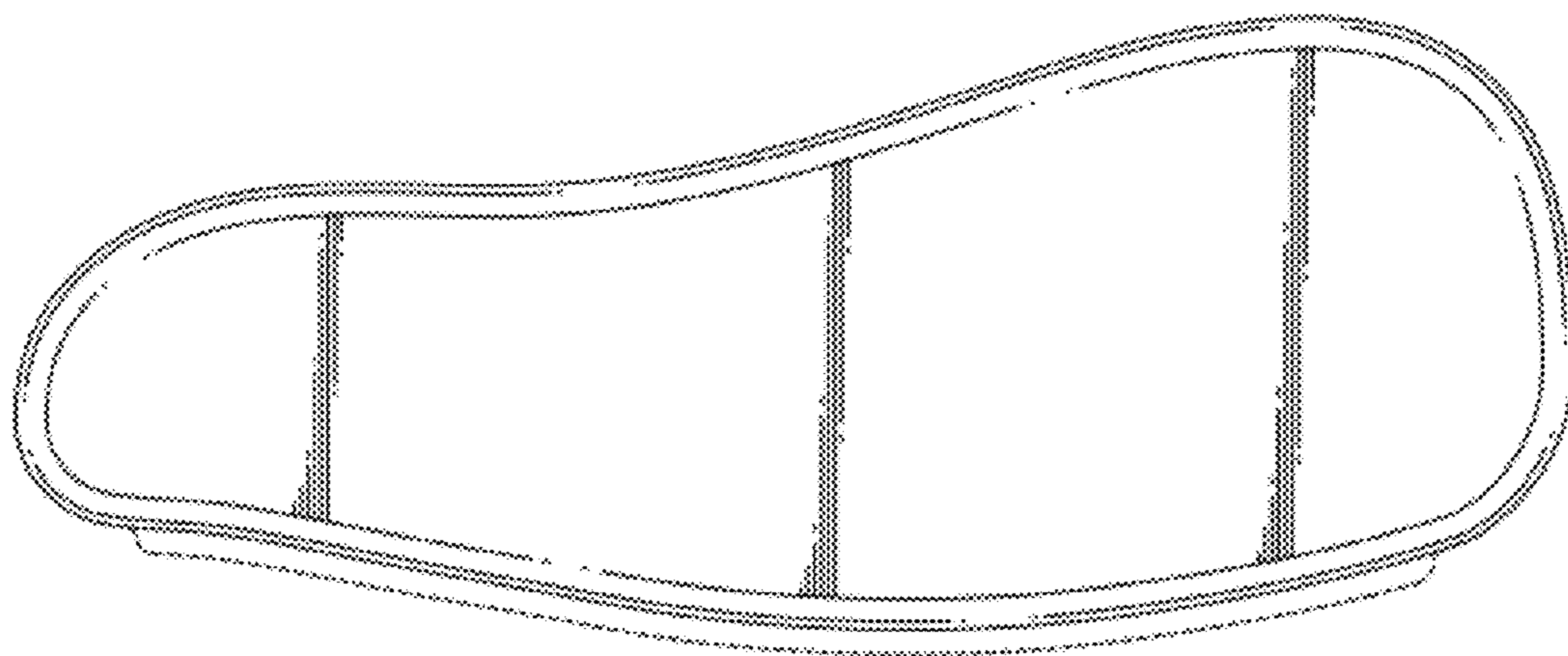


Fig. 2

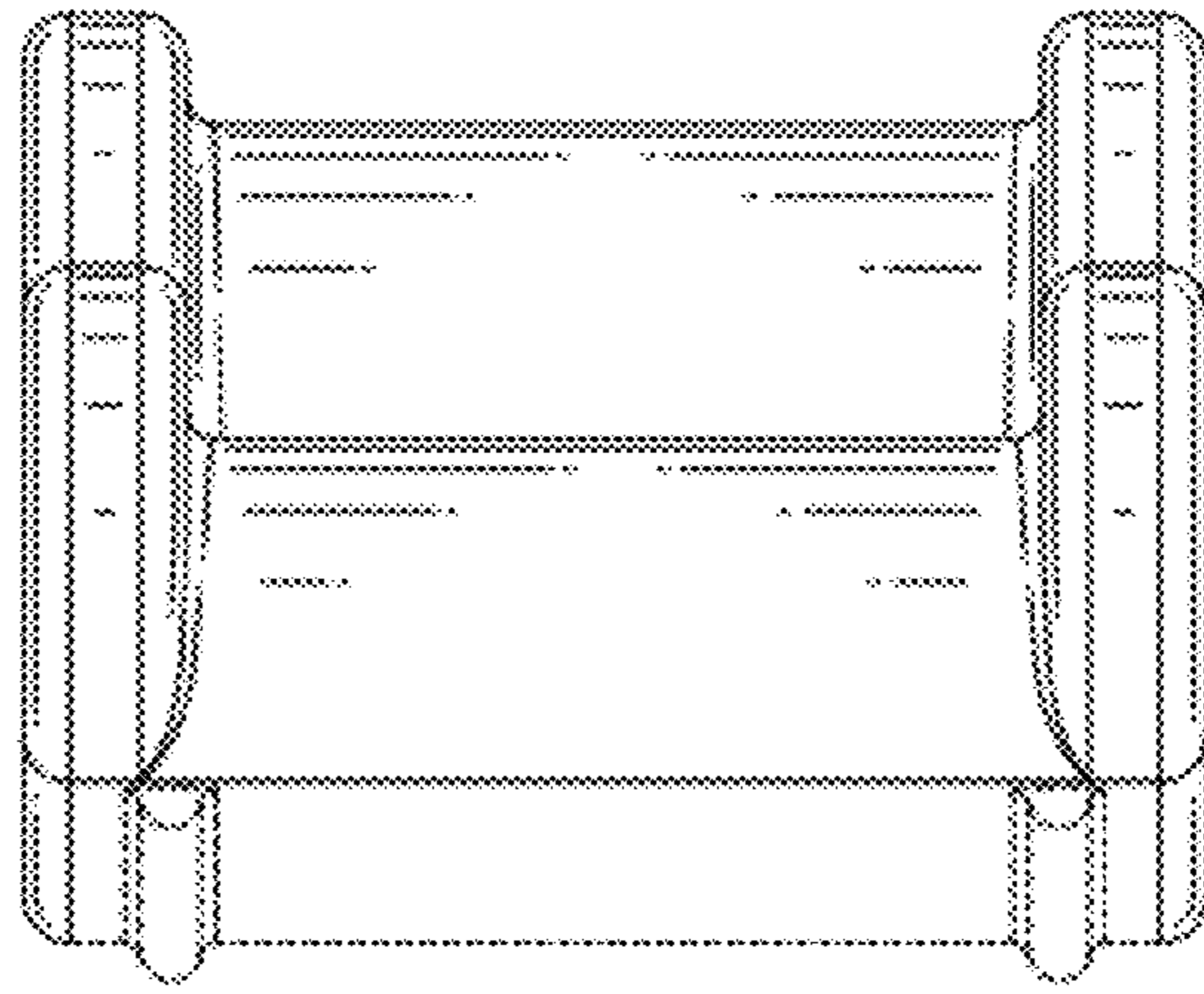


Fig. 3

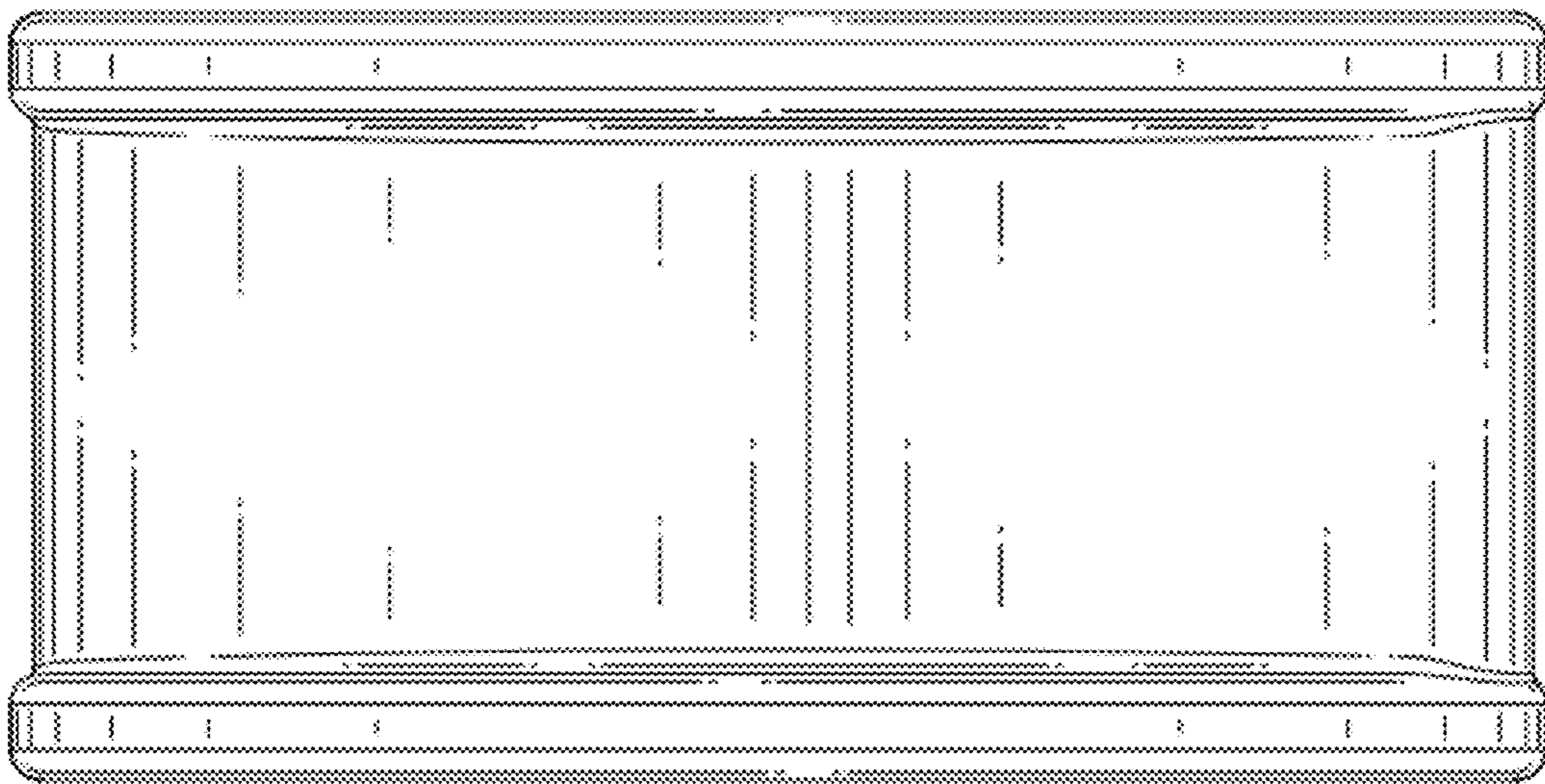


Fig. 4

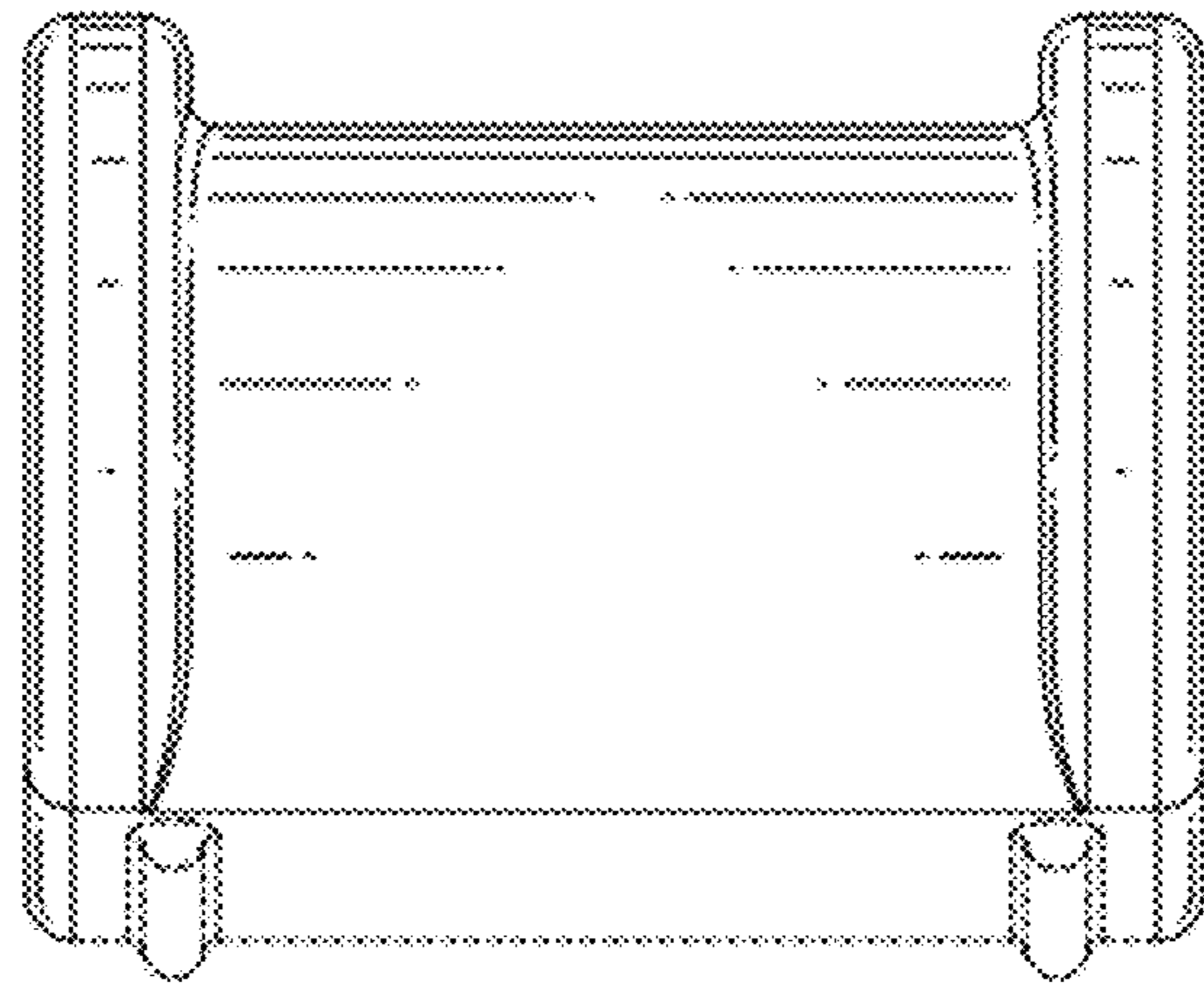


Fig. 5



Fig. 6