



US00D672566S

(12) **United States Design Patent**
Miller

(10) **Patent No.:** **US D672,566 S**

(45) **Date of Patent:** **** Dec. 18, 2012**

(54) **CLOTHES HANGER COVER**

(76) Inventor: **MaryAnn Kozumplik Miller**,
Centennial, CO (US)

(**) Term: **14 Years**

(21) Appl. No.: **29/418,907**

(22) Filed: **Apr. 23, 2012**

(51) **LOC (9) Cl.** **06-08**

(52) **U.S. Cl.** **D6/328**

(58) **Field of Classification Search** D6/315-328;
D3/232, 319; 211/1, 13.1, 85.3, 113, 118,
211/119; 223/85-98; 150/154; 383/25,
383/38, 75, 120; 206/287, 287.1, 279, 370,
206/581; 190/115

See application file for complete search history.

(56) **References Cited**

U.S. PATENT DOCUMENTS

2,003,114	A *	5/1935	Goldsmith	223/98
2,521,250	A *	9/1950	Pence	223/98
2,578,741	A *	12/1951	Reiner	223/93
3,167,224	A *	1/1965	Landers	223/98
3,294,297	A *	12/1966	Raphael	223/98
D327,582	S *	7/1992	Mathews	D6/328
5,509,588	A *	4/1996	Kimball	223/98
D376,905	S *	12/1996	Volmer	D3/221
5,651,455	A *	7/1997	Garcia	206/287.1
D407,559	S *	4/1999	Roegner	D3/319
6,039,474	A *	3/2000	DeChant	383/66
D438,700	S *	3/2001	Willingham et al.	D3/216
6,883,654	B2 *	4/2005	Godshaw et al.	190/115
7,040,486	B2 *	5/2006	Godshaw et al.	206/581

D629,217	S *	12/2010	Razaghi	D6/328
2002/0139820	A1 *	10/2002	Godshaw et al.	224/153
2010/0044261	A1 *	2/2010	Yao et al.	206/370

FOREIGN PATENT DOCUMENTS

CN 201227133 Y * 4/2009

* cited by examiner

Primary Examiner — Stella Reid

Assistant Examiner — Lauren Calve

(74) *Attorney, Agent, or Firm* — QuickPatents, Inc.; Kevin Prince

(57) **CLAIM**

I claim the ornamental design for a clothes hanger cover, as shown and described.

DESCRIPTION

FIG. 1 is a perspective view of a clothes hanger cover, showing my new design in a closed configuration;

FIG. 2 is a perspective view thereof, illustrated in an open configuration;

FIG. 3 is a front elevational view of FIG. 1, the rear elevational view being a mirror image thereof;

FIG. 4 is a left-side elevational view of FIG. 1, the right-side elevational view being a mirror image thereof;

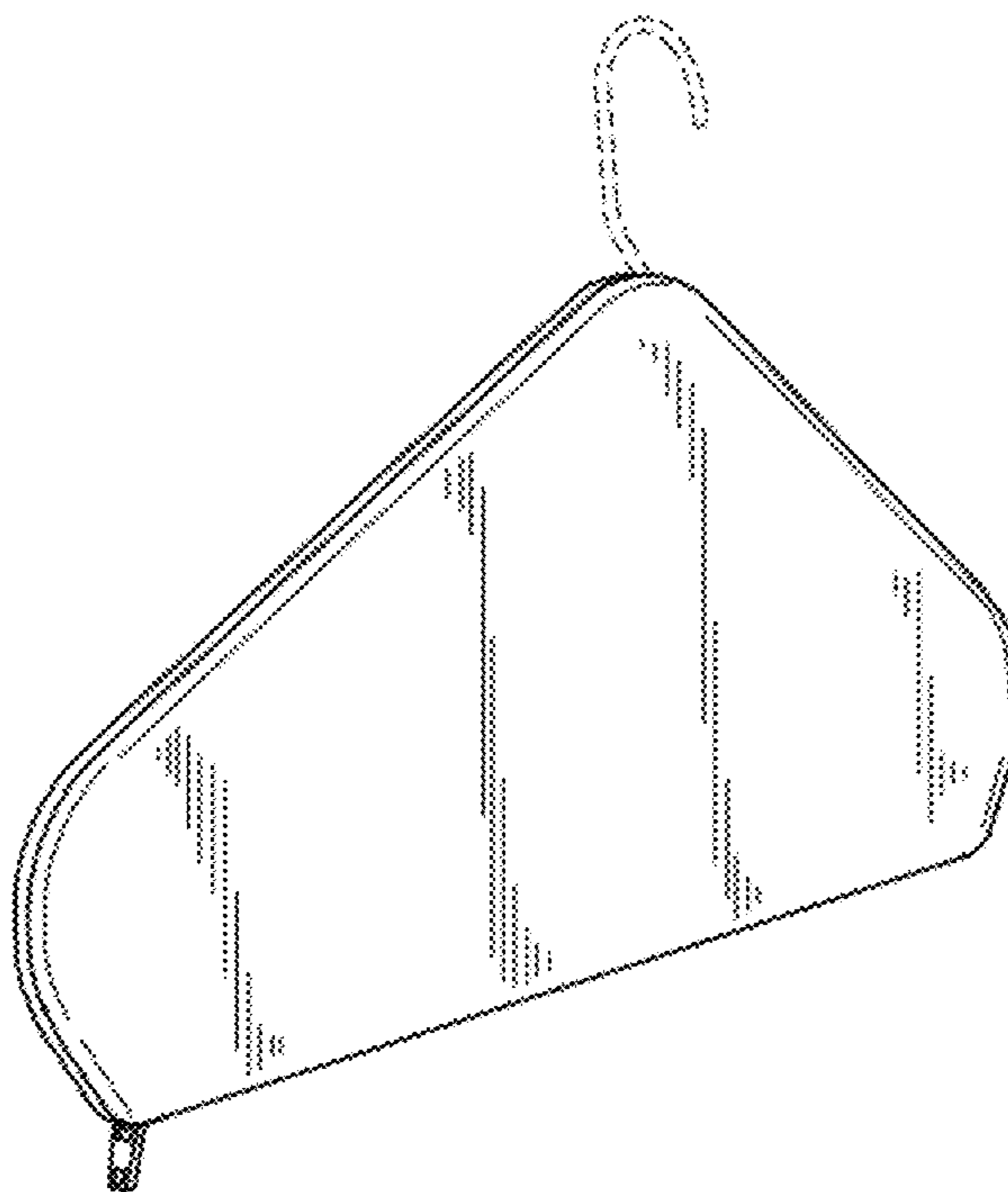
FIG. 5 is a top plan view of FIG. 1;

FIG. 6 is a bottom plan view of FIG. 1; and,

FIG. 7 is a cross-sectional view thereof, taken along lines 7-7 of FIG. 4. The opposite side of the cross-section is a mirror image.

The broken lines showing a hanger in FIG. 1 and items in pockets in FIG. 2 depict environmental matter and form no part of the claimed design.

1 Claim, 3 Drawing Sheets



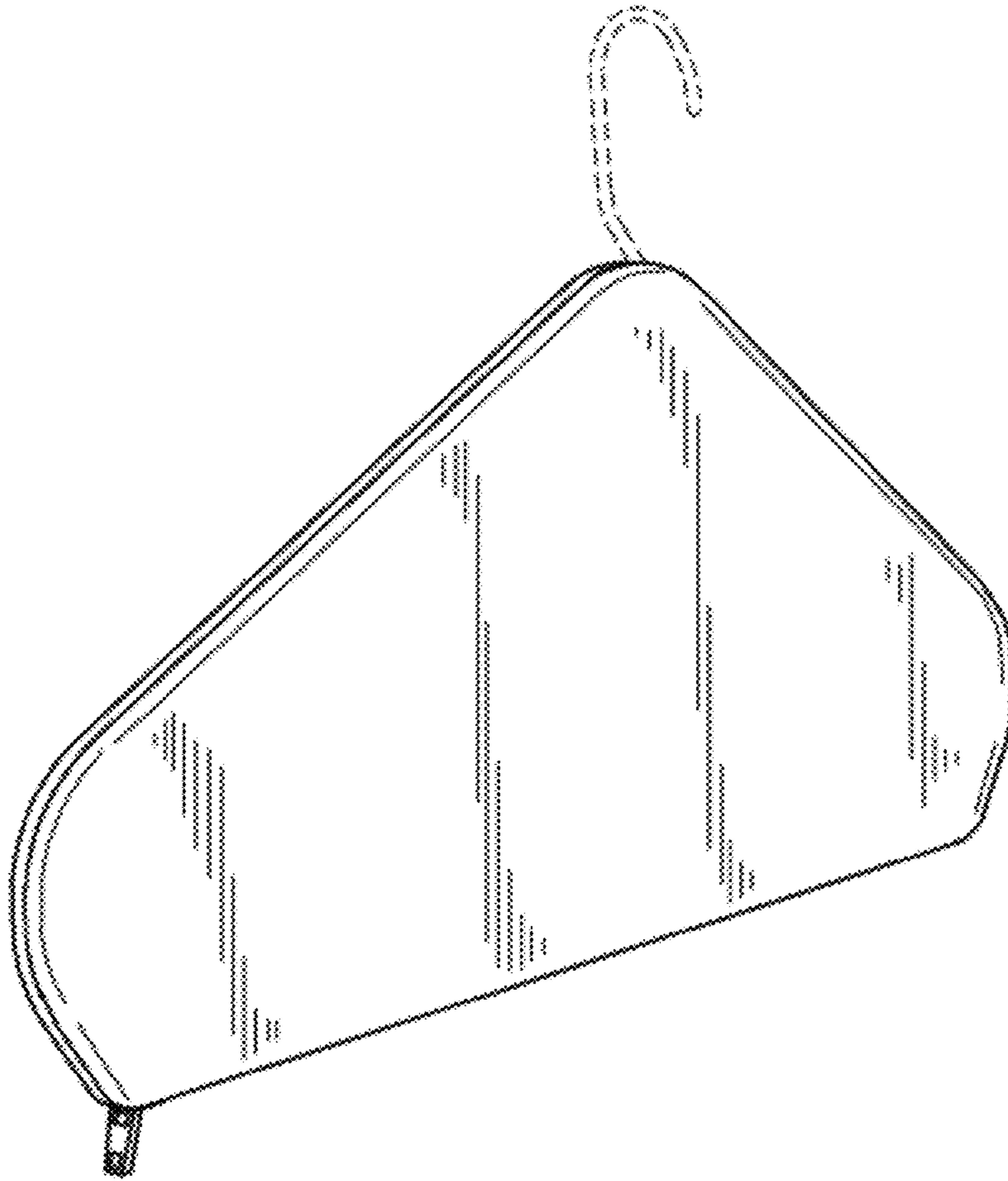


FIG. 1

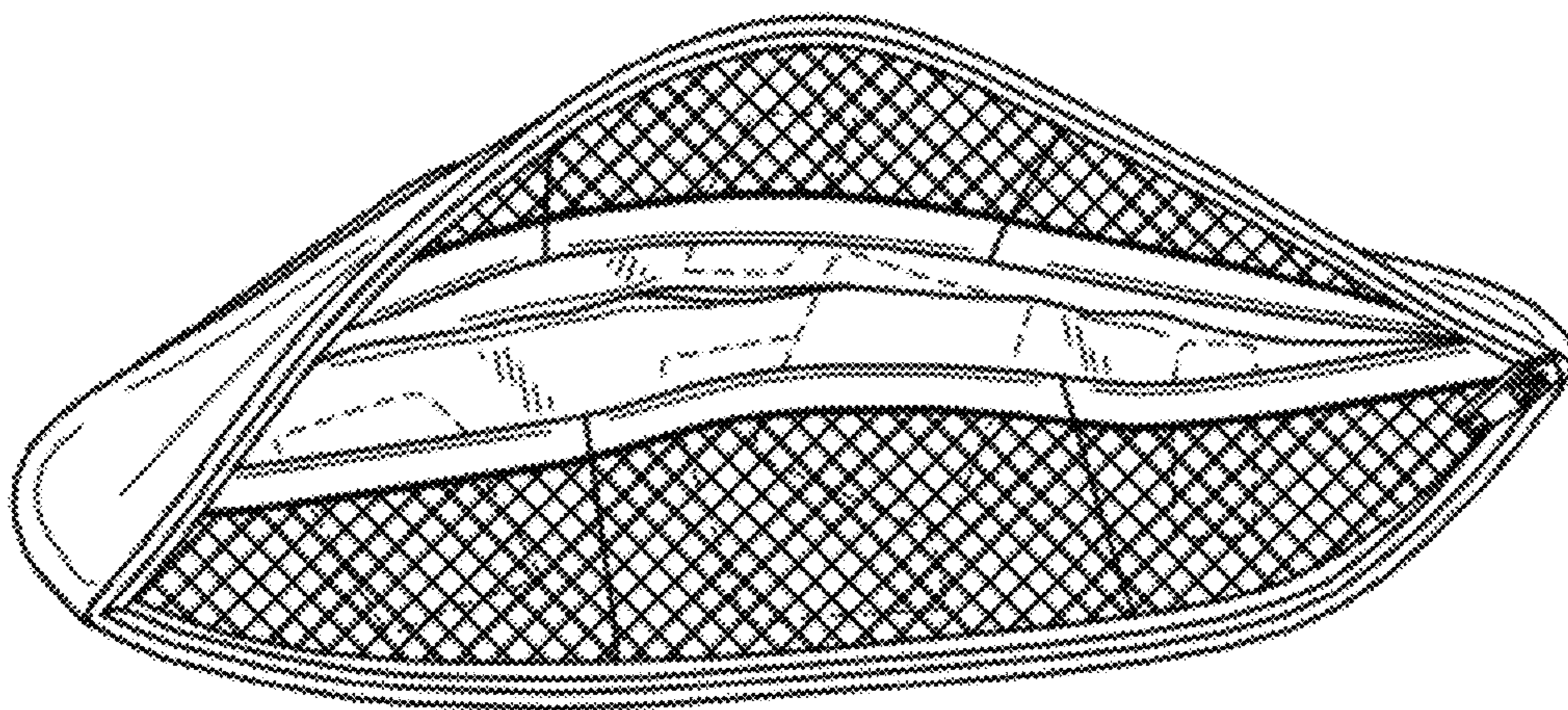


FIG. 2

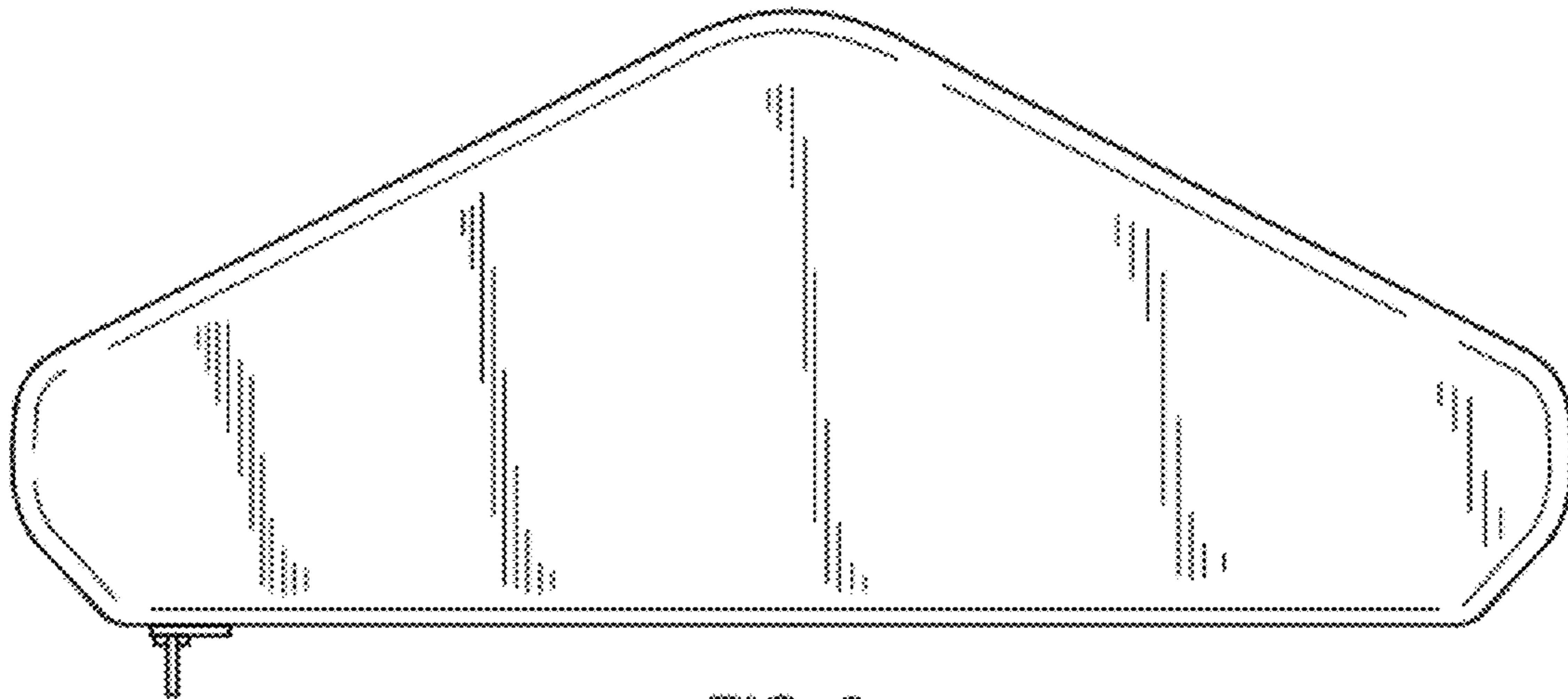


FIG. 3

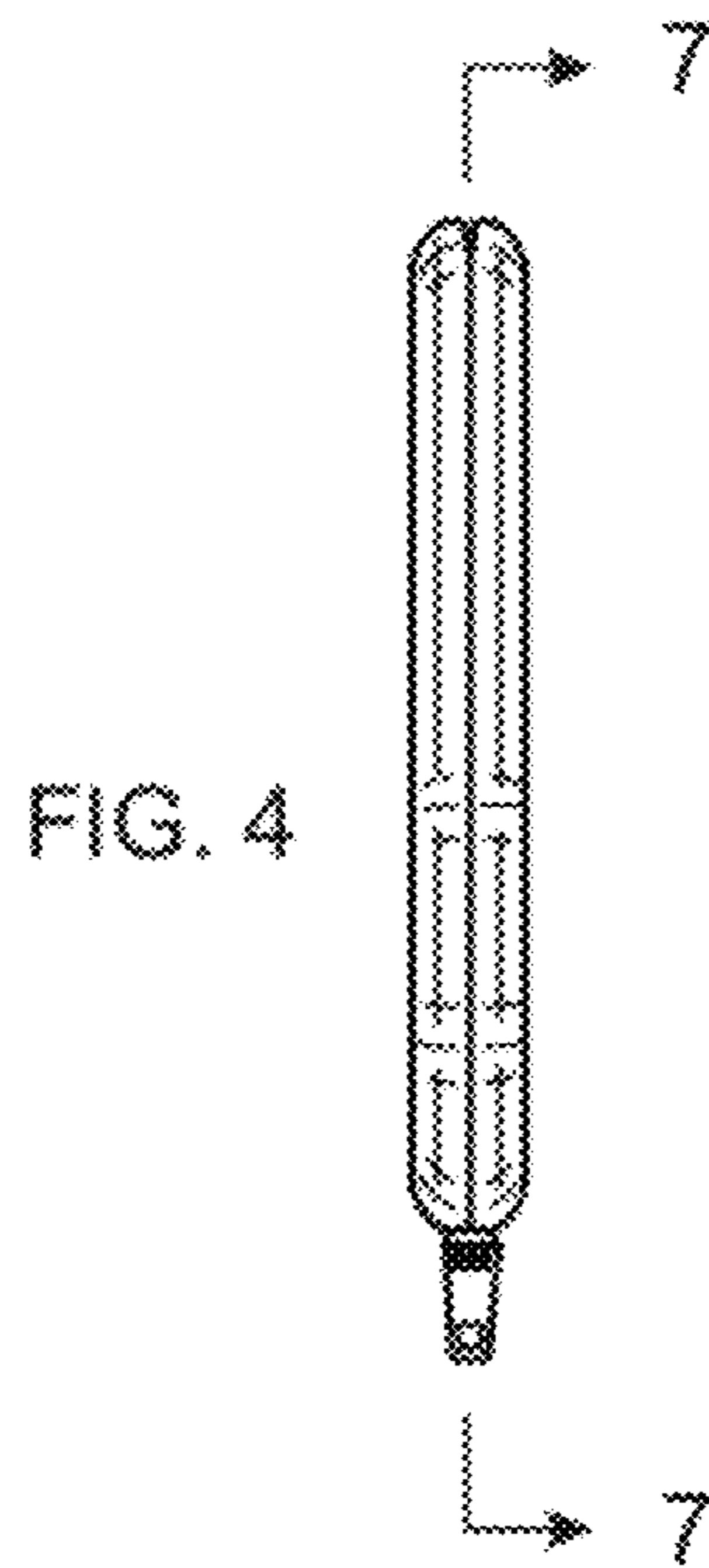


FIG. 4

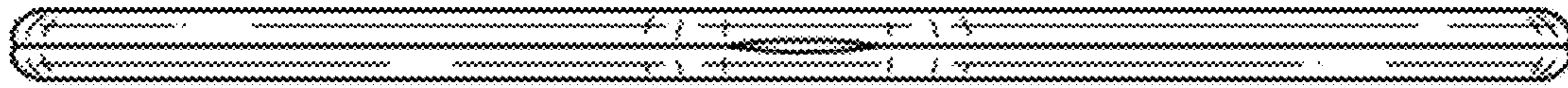


FIG. 5



FIG. 6

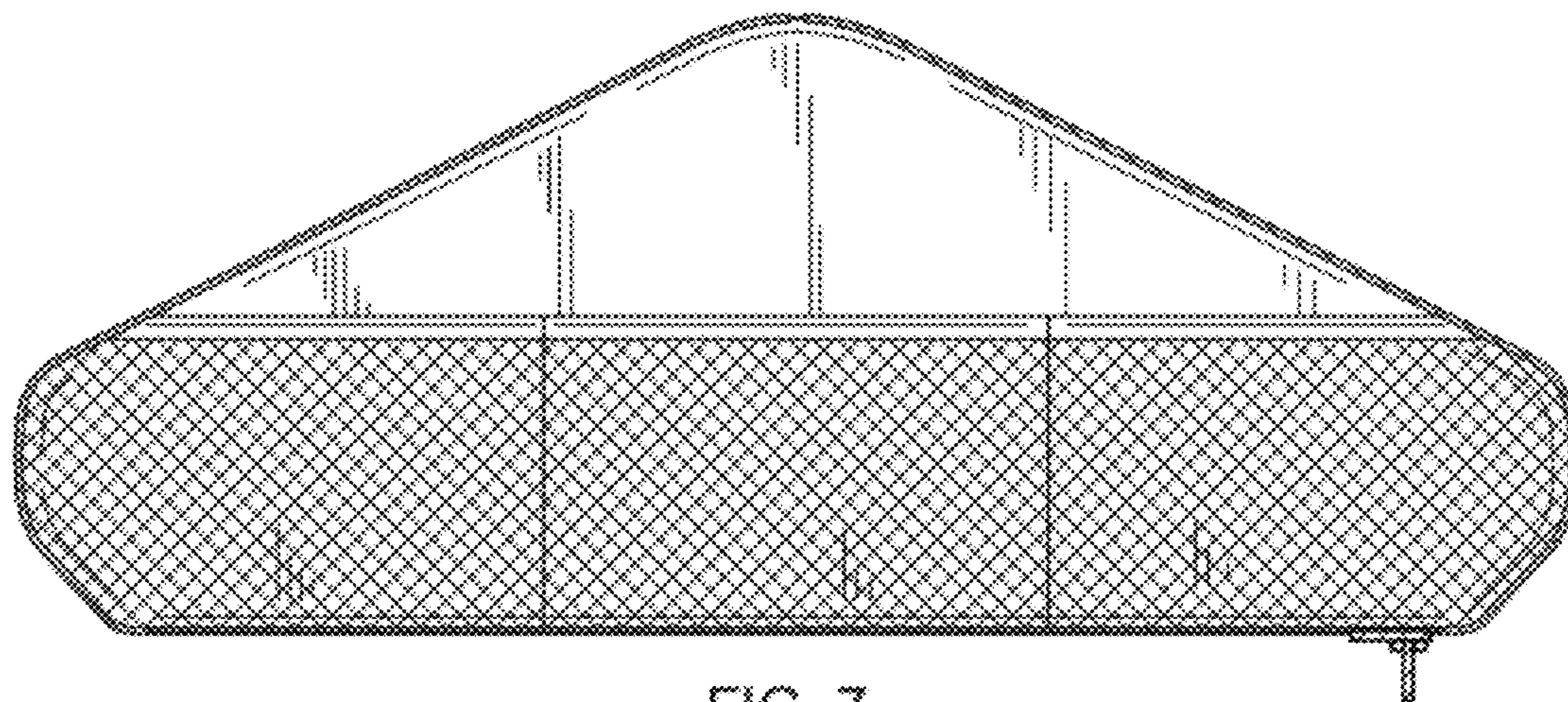


FIG. 7