

US00D672565S

(12) **United States Design Patent**  
**Nazario**

(10) **Patent No.:** **US D672,565 S**

(45) **Date of Patent:** **\*\* Dec. 18, 2012**

(54) **ROBE HOOK**

(75) Inventor: **Mercedita Andrew Nazario**, Chicago, IL (US)

(73) Assignee: **Liberty Hardware Mfg. Corp.**, Winston-Salem, NC (US)

(\*\*) Term: **14 Years**

(21) Appl. No.: **29/414,336**

(22) Filed: **Feb. 28, 2012**

(51) **LOC (9) Cl.** ..... **06-08**

(52) **U.S. Cl.** ..... **D6/323**

(58) **Field of Classification Search** ..... D6/315-328;  
223/85-98; D8/300, 307, 310, 321, 349,  
D8/354, 367, 372, 373; 248/304, 690; D26/13,  
D26/72, 102, 111

See application file for complete search history.

(56) **References Cited**

U.S. PATENT DOCUMENTS

239,465	A	*	3/1881	Delany	.....	248/304
802,705	A	*	10/1905	Parker	.....	248/292.13
D343,066	S	*	1/1994	Hsu	.....	D6/323
D472,061	S	*	3/2003	Hoernig	.....	D6/323
D496,258	S	*	9/2004	Fields	.....	D8/367
D526,132	S	*	8/2006	Solowiej	.....	D6/323
D526,494	S	*	8/2006	Fields	.....	D6/323
D535,110	S	*	1/2007	Hoernig	.....	D6/323

D544,220	S	*	6/2007	McConnell	.....	D6/323
D548,469	S	*	8/2007	Hoernig	.....	D6/323
D563,109	S	*	3/2008	Krumpe et al.	.....	D6/323
D578,780	S	*	10/2008	Lee	.....	D6/323
D630,027	S	*	1/2011	Romero	.....	D6/323

\* cited by examiner

*Primary Examiner* — Stella Reid

*Assistant Examiner* — Lauren Calve

(74) *Attorney, Agent, or Firm* — Lora J. Graentzdoerffer; Nirav D. Parikh; Edgar A. Zarins

(57) **CLAIM**

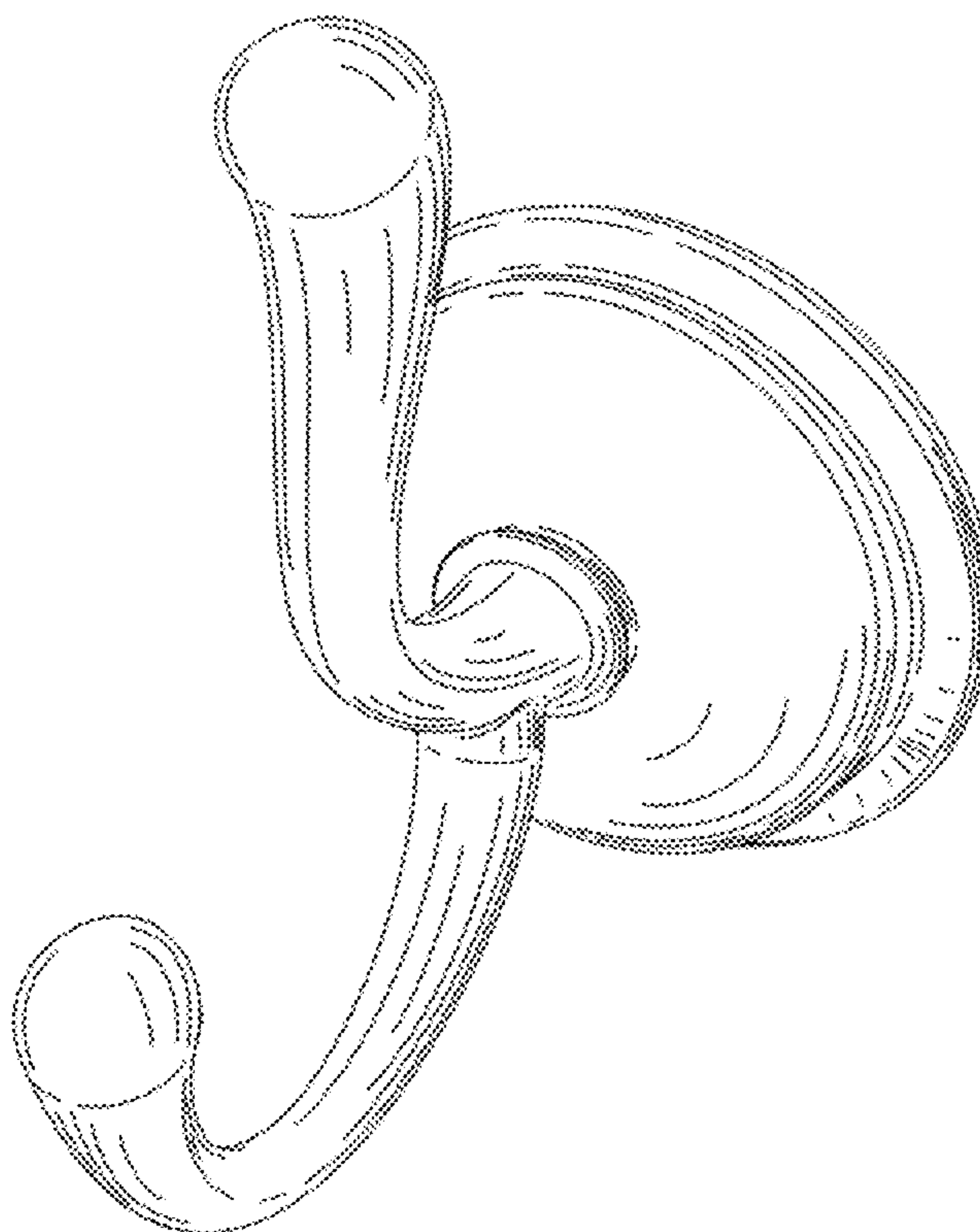
The ornamental design for a robe hook, as shown and described.

**DESCRIPTION**

FIG. 1 is a perspective view thereof;  
FIG. 2 is a front elevational view thereof;  
FIG. 3 is a rear elevational view thereof;  
FIG. 4 is a left side elevational view thereof;  
FIG. 5 is a right side elevational view thereof;  
FIG. 6 is a top plan view thereof; and,  
FIG. 7 is a bottom plan view thereof.

The broken-line disclosure in the views represents portions of the article in which the claimed design is embodied, but which form no part of the claimed design.

**1 Claim, 5 Drawing Sheets**



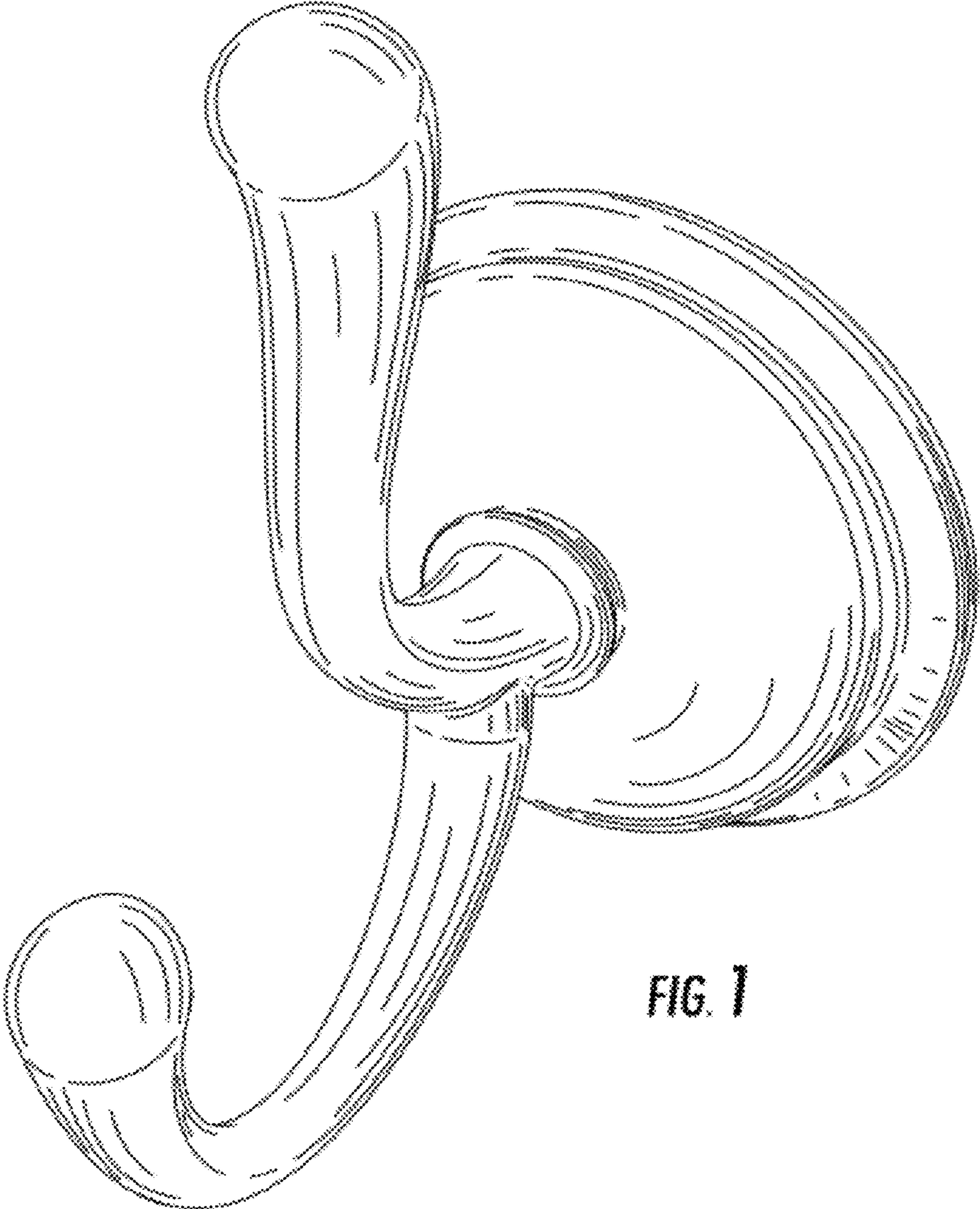


FIG. 1

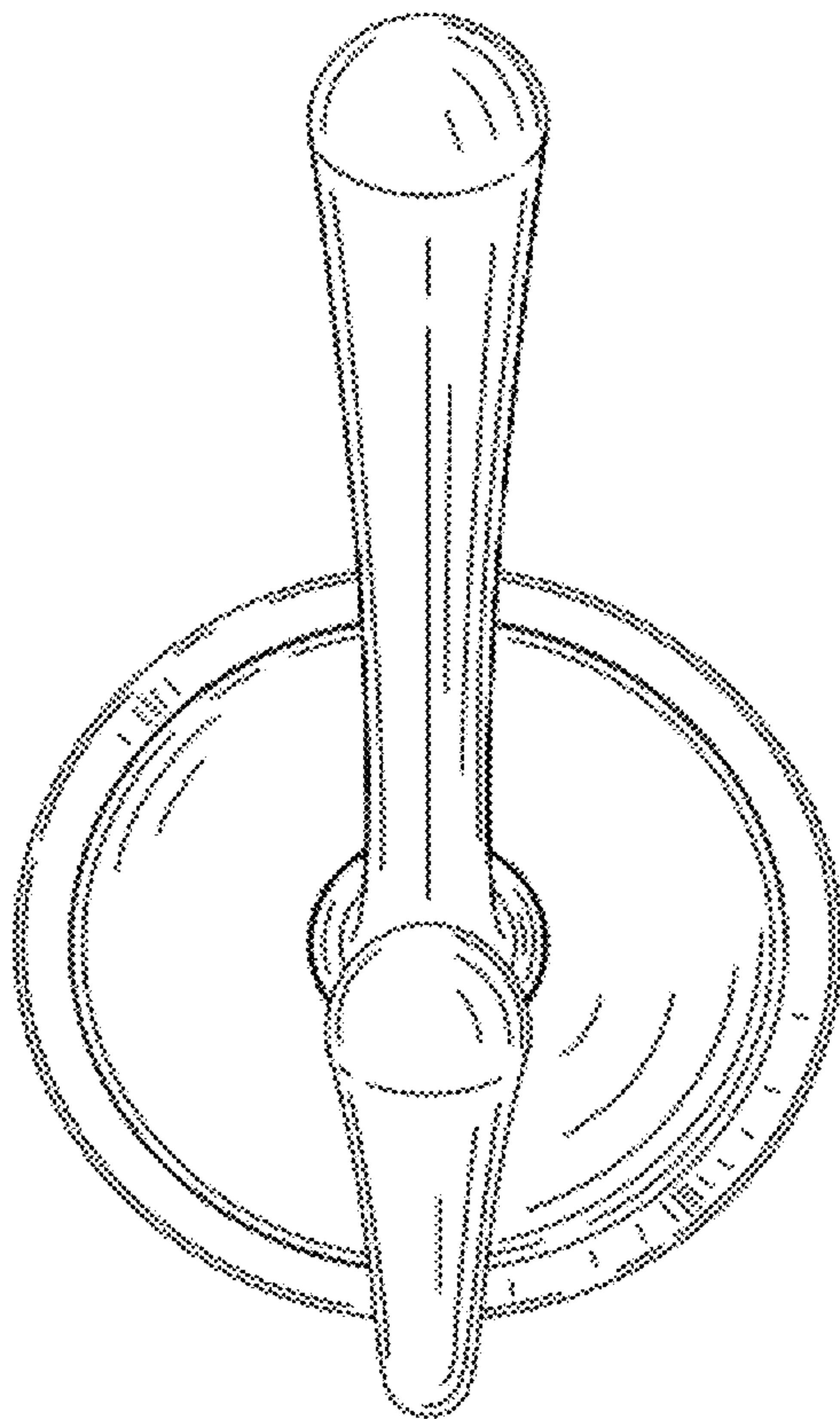


FIG. 2

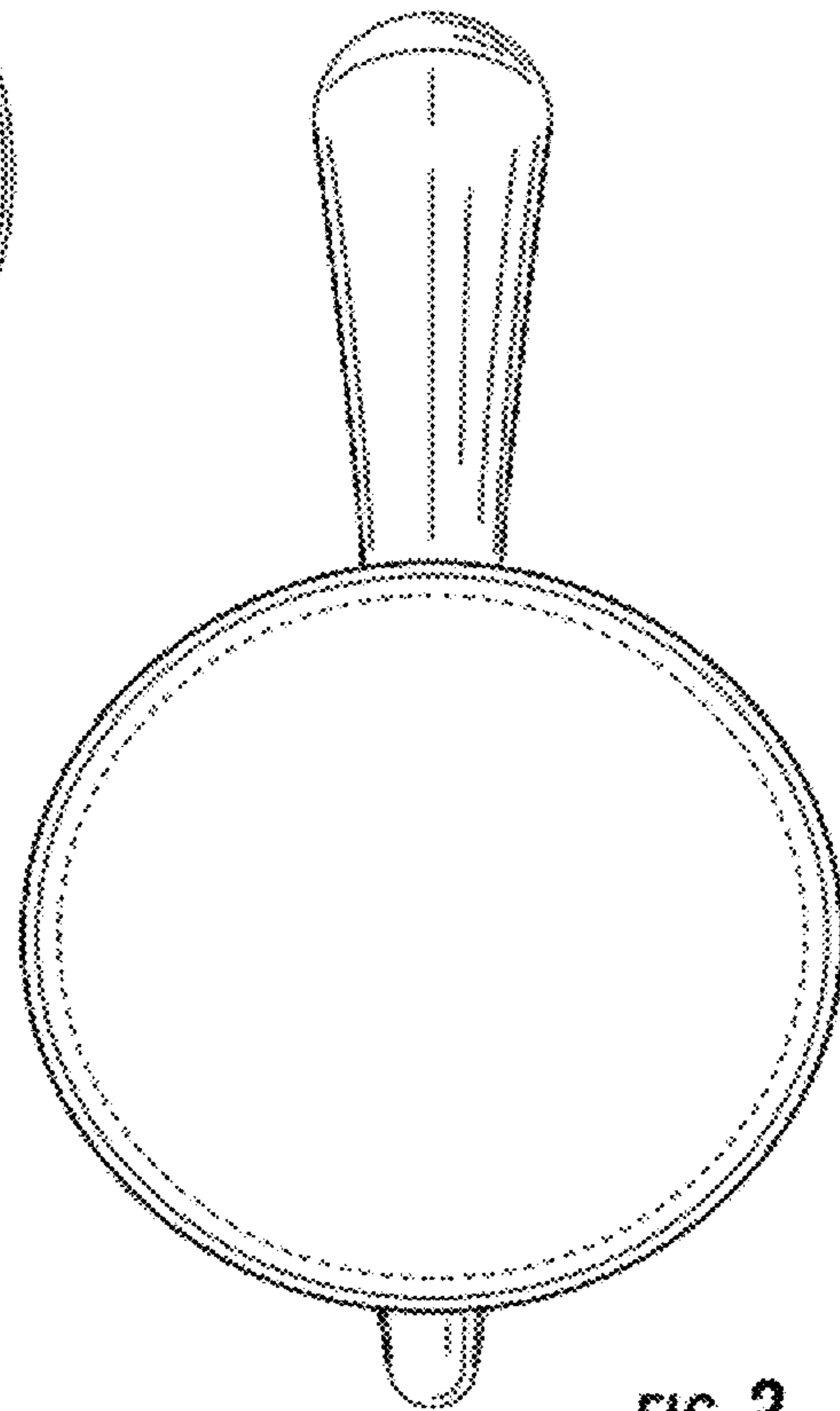


FIG. 3

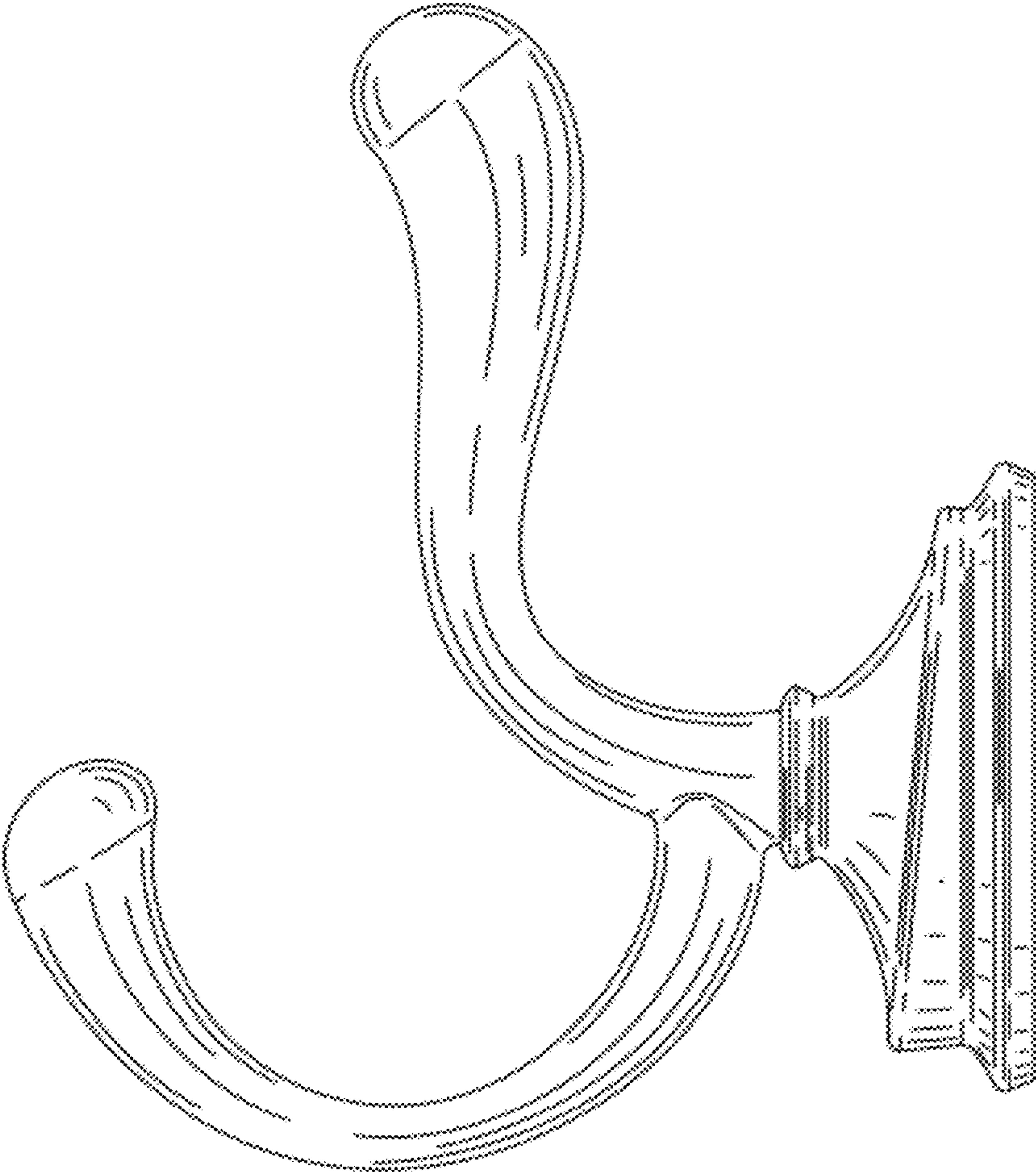


FIG. 4



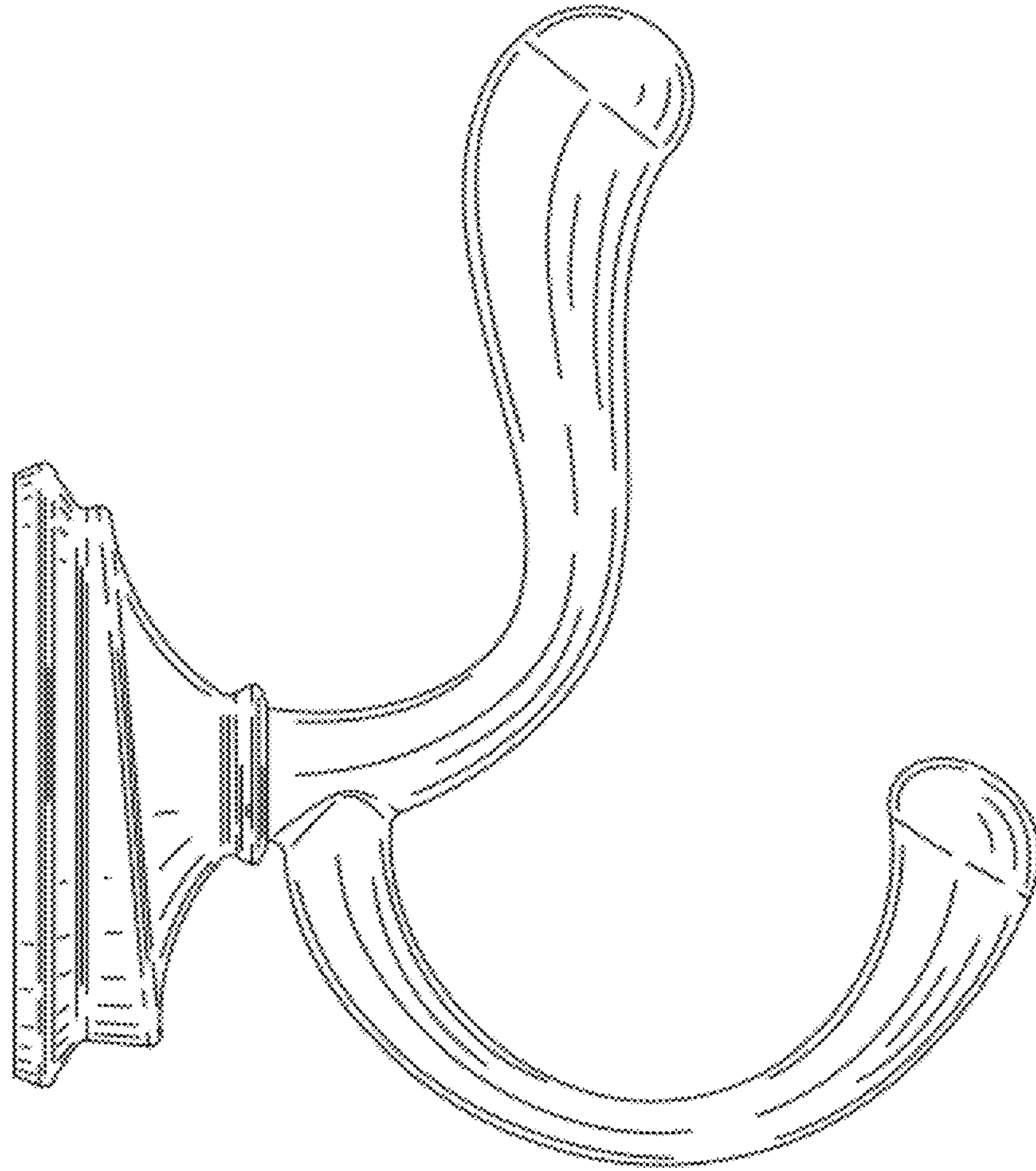


FIG. 5

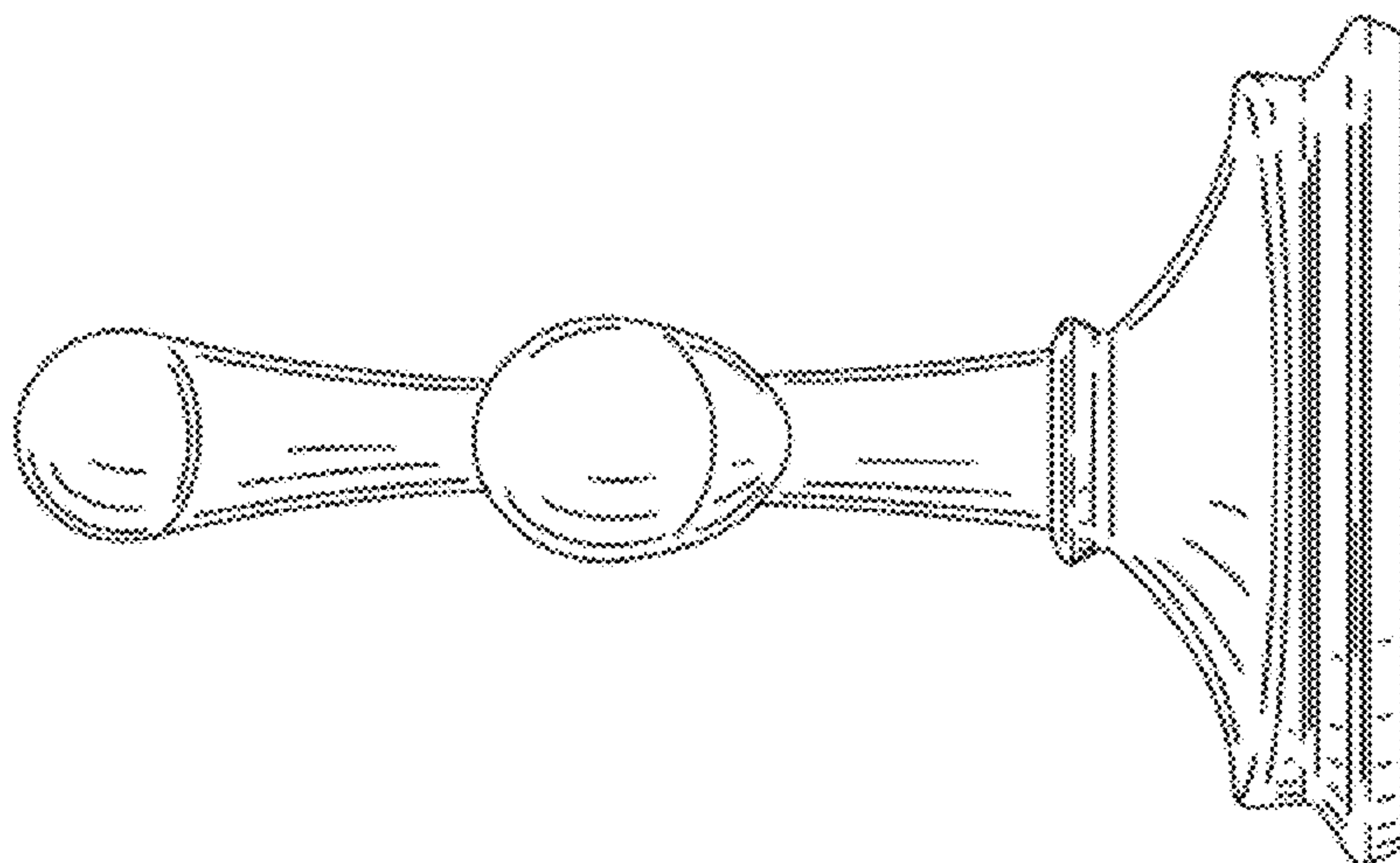


FIG. 6

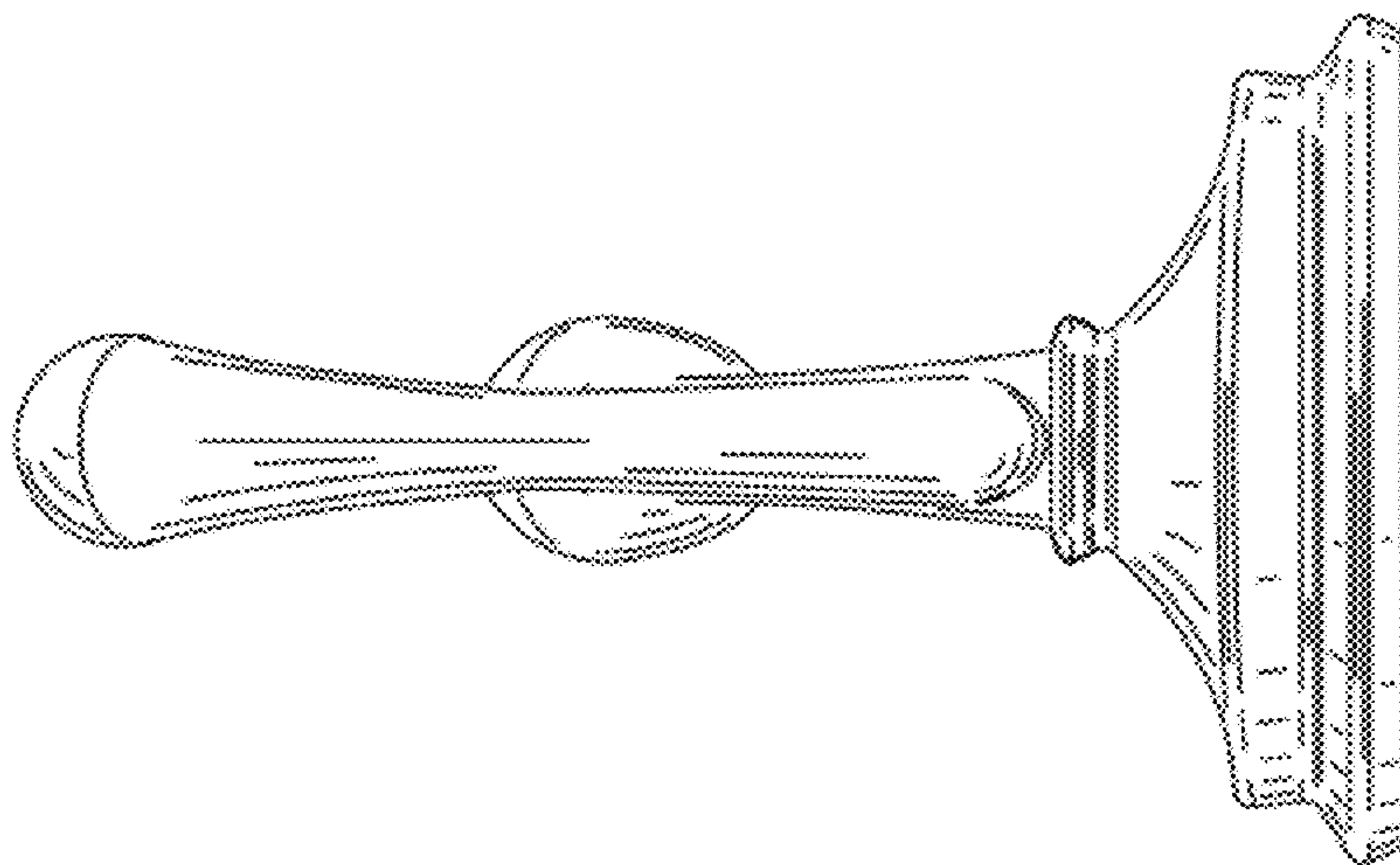


FIG. 7