



US00D672559S

(12) **United States Design Patent**  
**Nash**

(10) **Patent No.:** **US D672,559 S**  
(45) **Date of Patent:** **\*\* Dec. 18, 2012**

- (54) **OPEN-ENDED CONTAINER**
- (75) Inventor: **Jaime W. Nash**, Lake Tapps, WA (US)
- (73) Assignee: **Wilmar Corporation**, Renton, WA (US)
- (\*\*) Term: **14 Years**
- (21) Appl. No.: **29/417,221**
- (22) Filed: **Mar. 30, 2012**

D311,799 S \* 10/1990 Embree et al. .... D3/294  
 D313,150 S 12/1990 Hestehave et al.  
 4,993,583 A 2/1991 Chasen  
 5,092,474 A 3/1992 Leigner  
 D327,971 S \* 7/1992 Cugley ..... D3/304  
 (Continued)

**OTHER PUBLICATIONS**

U.S. Appl. No. 29/400,158, filed Aug. 24, 2011, Nash, Jaime W.  
 (Continued)

**Related U.S. Application Data**

- (62) Division of application No. 29/400,158, filed on Aug. 24, 2011.
- (51) **LOC (9) Cl.** ..... **03-01**
- (52) **U.S. Cl.** ..... **D3/304**
- (58) **Field of Classification Search** ..... D3/304,  
 D3/310, 315; D6/449, 470-473, 509-510;  
 D7/601-602, 605, 612-614, 701; 312/114-117;  
 206/503-504; D9/424-426; 220/23.2-23.6,  
 220/23.83

See application file for complete search history.

*Primary Examiner* — Kelley Donnelly

(74) *Attorney, Agent, or Firm* — Condo Roccia LLP

(57) **CLAIM**

The ornamental design for an open-ended container, as shown and described.

**DESCRIPTION**

This application is also related to U.S. patent application Ser. No. 29/400,169, filed on Aug. 24, 2011 and entitled "Open Ended Container," to U.S. patent application Ser. No. 29/400,177, filed on Aug. 24, 2011 and entitled "Open-Ended Container System," and to U.S. patent application Ser. No. 29/417,229, filed on even date herewith and entitled "Open-Ended Container."

FIG. 1 is a front perspective view of an open-ended container embodying my new design;

FIG. 2 is a top view of the open-ended container of FIG. 1;

FIG. 3 is a front view of the open-ended container of FIG. 1;

FIG. 4 is a side view of the open-ended container of FIG. 1;

FIG. 5 is a rear view of the open-ended container of FIG. 1; and,

FIG. 6 is a bottom view of the open-ended container of FIG. 1.

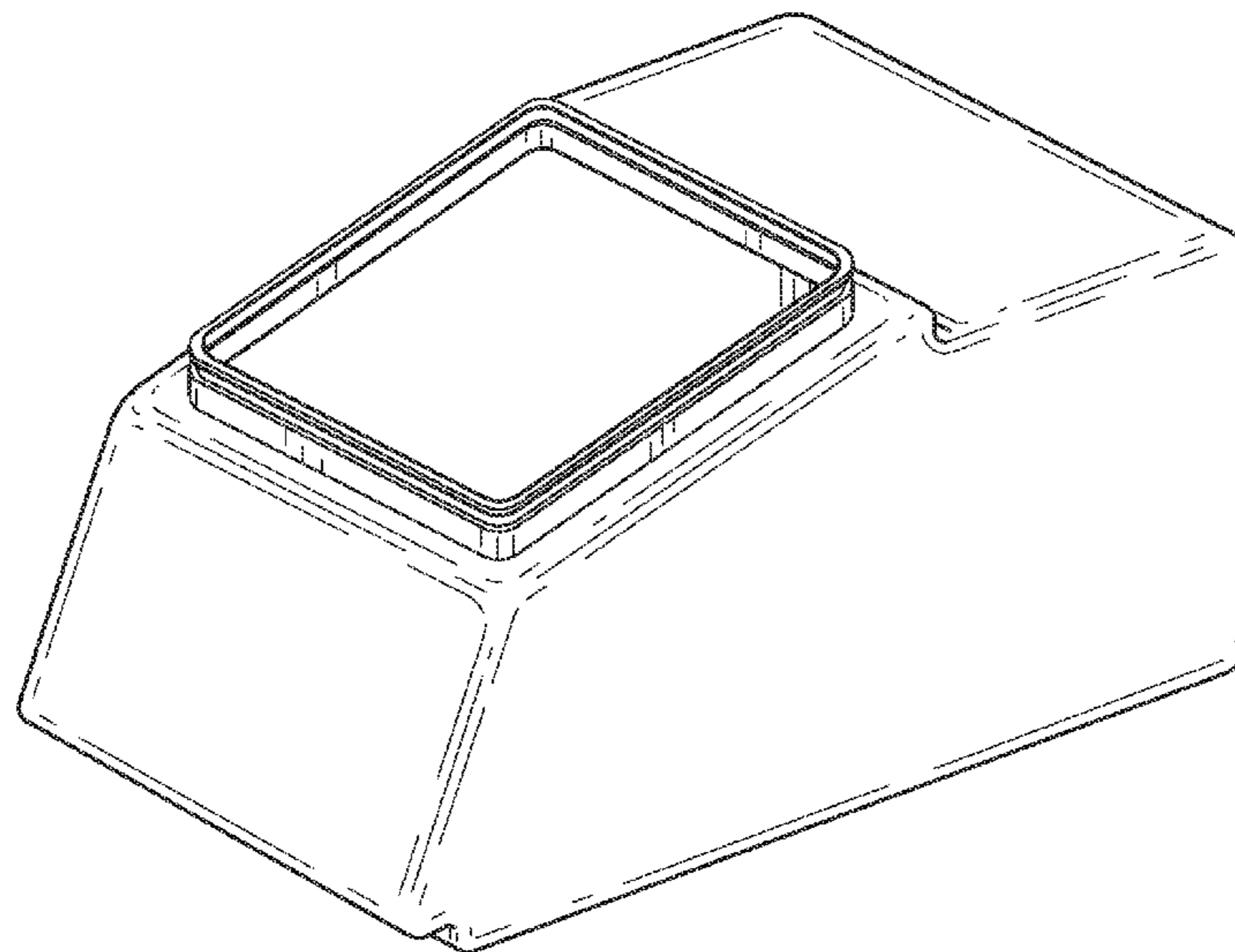
The broken lines shown herein are included for the purpose of illustrating the environment of the design and form no part of the claimed design.

**1 Claim, 3 Drawing Sheets**

(56) **References Cited**

**U.S. PATENT DOCUMENTS**

1,862,609 A	6/1932	Shaw
D110,477 S	7/1938	Carpenter
D127,672 S	6/1941	Brown
3,113,680 A	12/1963	Frater et al.
D200,969 S	4/1965	Wildgen
3,259,269 A	7/1966	John
3,307,709 A	3/1967	Hulterstrum
D255,627 S	7/1980	Newsom, Jr. et al.
4,372,444 A	2/1983	Le Grand et al.
D276,775 S	12/1984	Antti et al.
D293,289 S	12/1987	Edwards et al.
D293,407 S	12/1987	Edwards et al.
4,718,578 A	1/1988	Radek et al.
4,744,487 A	5/1988	Welborn



# US D672,559 S

Page 2

## U.S. PATENT DOCUMENTS

5,271,515 A 12/1993 Berkheimer et al.  
D343,093 S 1/1994 Sabin et al.  
D343,766 S 2/1994 Bastidos  
D347,554 S 6/1994 Wingate et al.  
D365,229 S 12/1995 Story et al.  
D370,834 S 6/1996 Hartman  
5,531,517 A 7/1996 Alpen  
5,678,701 A 10/1997 Anderson  
D406,988 S 3/1999 Tisdale  
6,062,388 A 5/2000 Ohayon  
D429,882 S 8/2000 Lee et al.  
D429,967 S 8/2000 Barfield  
D432,869 S 10/2000 Saunders  
D462,012 S 8/2002 Manderfield, Jr.  
D464,887 S 10/2002 Sherwell  
D500,640 S 1/2005 Lawson et al.  
D502,869 S 3/2005 Clarke  
D509,438 S 9/2005 Woerz  
D530,128 S 10/2006 Doran  
D533,330 S 12/2006 Beaulieu  
D538,539 S \* 3/2007 Richardson et al. .... D3/314  
D540,174 S 4/2007 Lux  
7,216,779 B2 5/2007 Kasting et al.  
D547,973 S 8/2007 Brown et al.  
D576,883 S 9/2008 Carapelli  
D598,033 S 8/2009 Liu et al.  
D606,314 S \* 12/2009 Neilsen ..... D3/313

D621,619 S \* 8/2010 Ripoll ..... D3/304  
D623,954 S 9/2010 Hawry et al.  
7,789,238 B2 9/2010 Claypool et al.  
D630,852 S \* 1/2011 Kobilarcik et al. .... D3/307  
D633,473 S 3/2011 Takeshi Yeung  
D633,717 S 3/2011 Searcy  
D634,635 S 3/2011 Araujo et al.  
D635,031 S 3/2011 Themann  
D635,770 S 4/2011 Kobilarcik et al.  
D639,562 S \* 6/2011 Cadwell ..... D3/307  
8,025,176 B2 9/2011 Little et al.  
D652,722 S 1/2012 Robertson et al.  
D657,105 S \* 4/2012 Martheenal ..... D34/1  
8,215,485 B2 7/2012 Maroofian et al.  
2005/0082307 A1 4/2005 Tucker  
2005/0181159 A1 8/2005 Dunlap et al.  
2006/0021984 A1 2/2006 Nottingham et al.  
2007/0187420 A1 8/2007 Gruskin et al.  
2009/0178989 A1 7/2009 Accuardi

## OTHER PUBLICATIONS

U.S. Appl. No. 29/400,169, filed Aug. 24, 2011, Nash, Jaime W.  
U.S. Appl. No. 29/400,177, filed Aug. 24, 2011, Nash, Jaime W.  
U.S. Appl. No. 29/417,229, filed Mar. 30, 2012, Nash, Jaime W.  
U.S. Appl. No. 29/422,033, filed May 15, 2012, Nash, Jaime W.  
U.S. Appl. No. 29/422,034, filed May 15, 2012, Nash, Jaime W.

\* cited by examiner

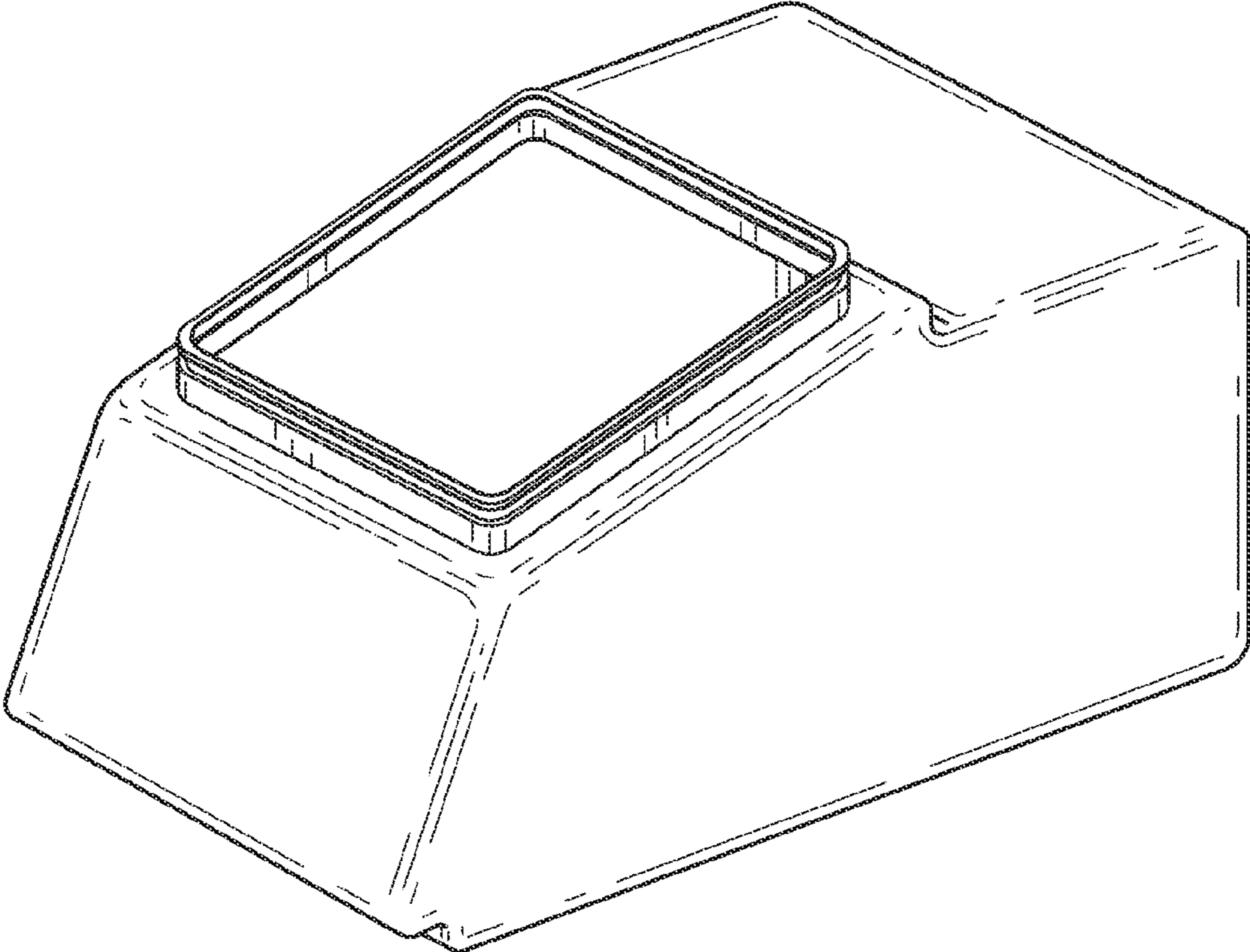


FIG. 1

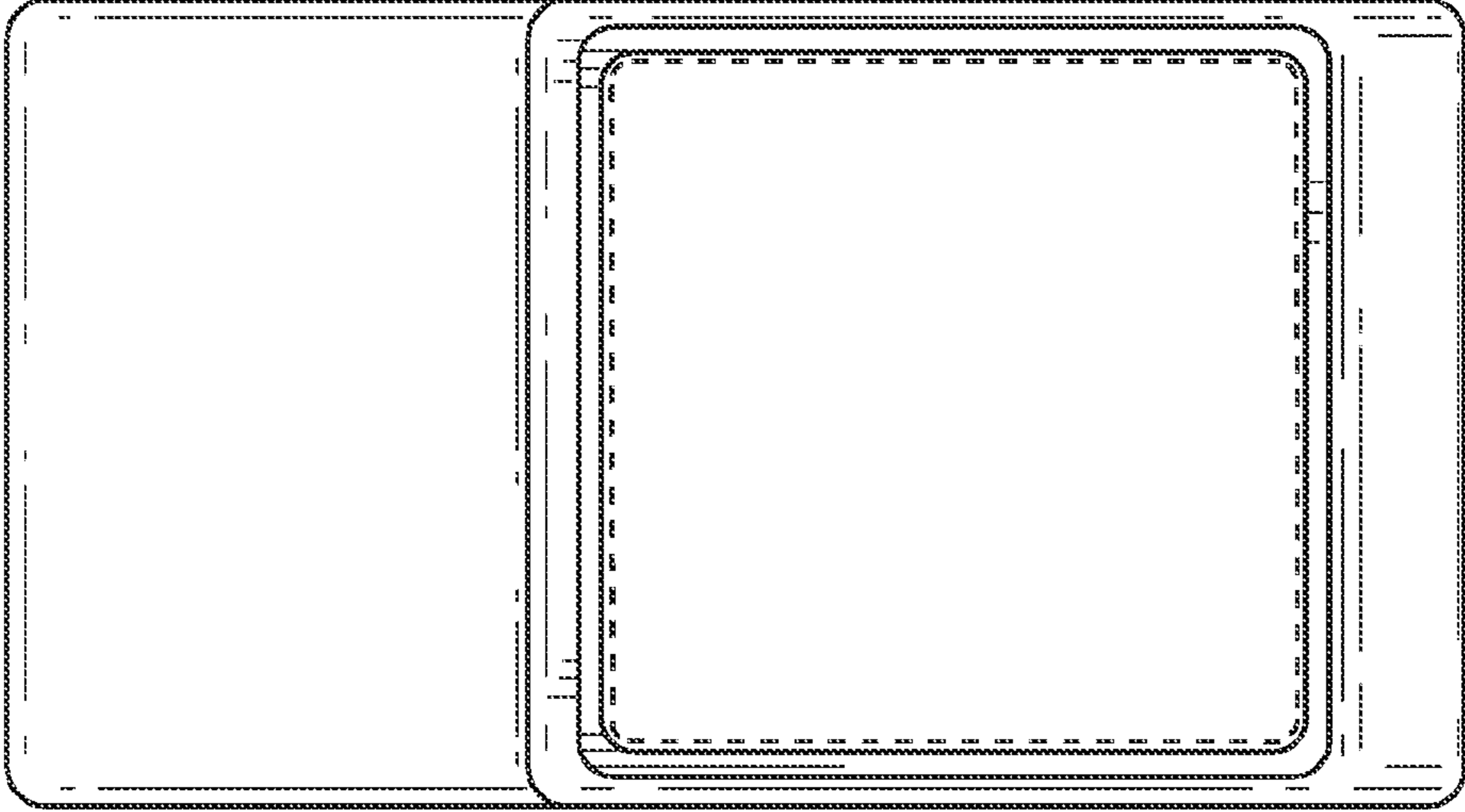


FIG. 2



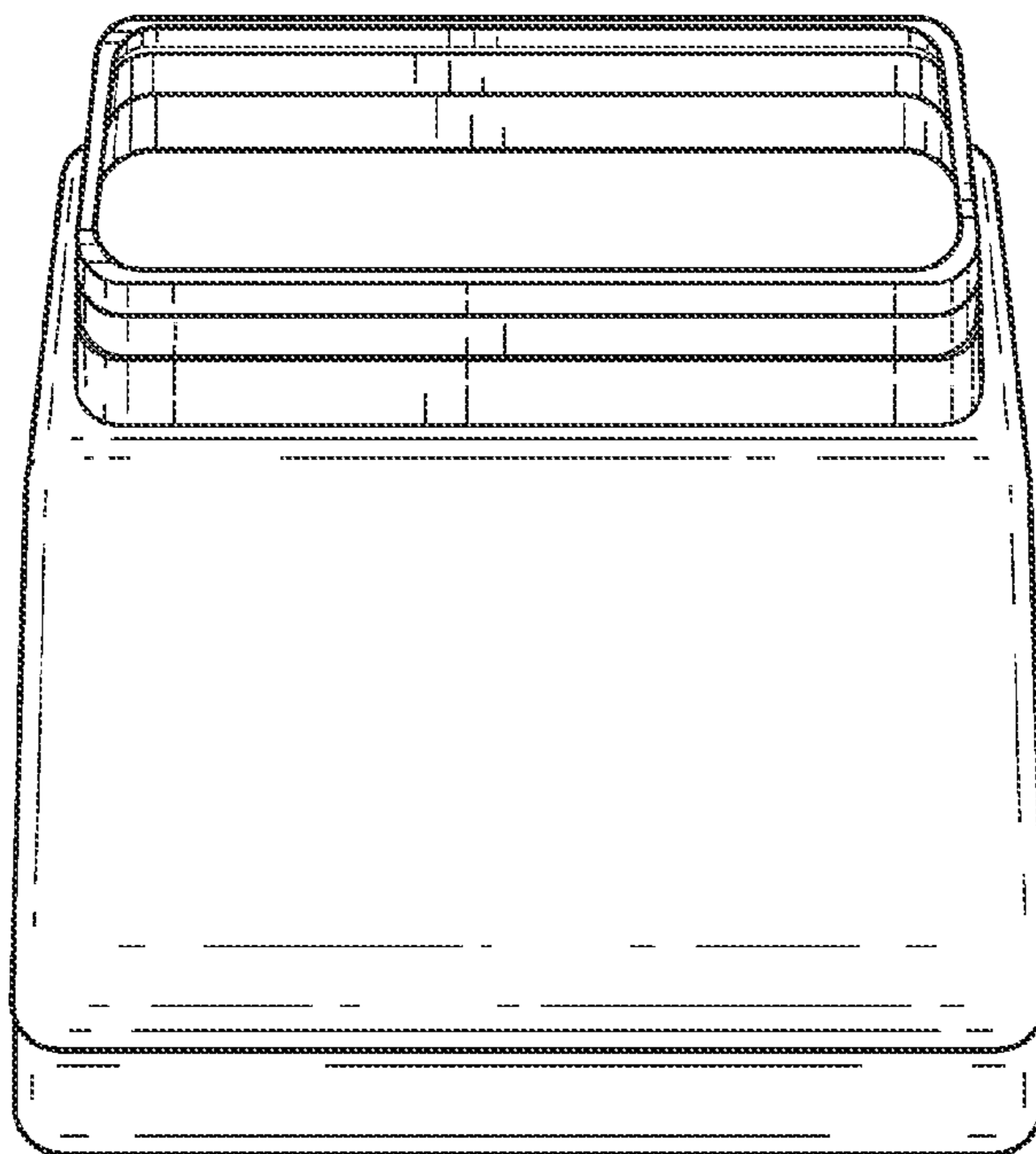


FIG. 3

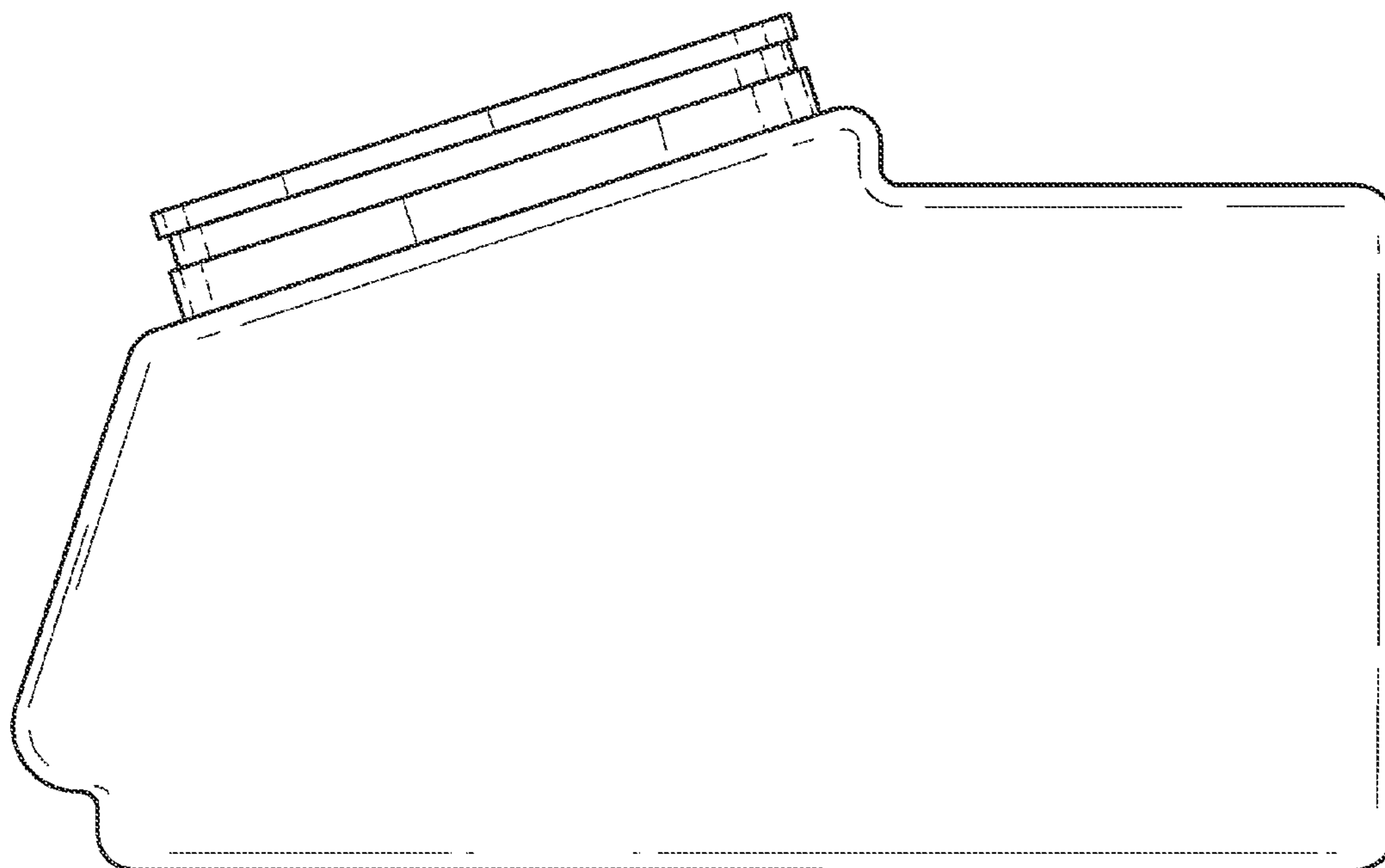


FIG. 4

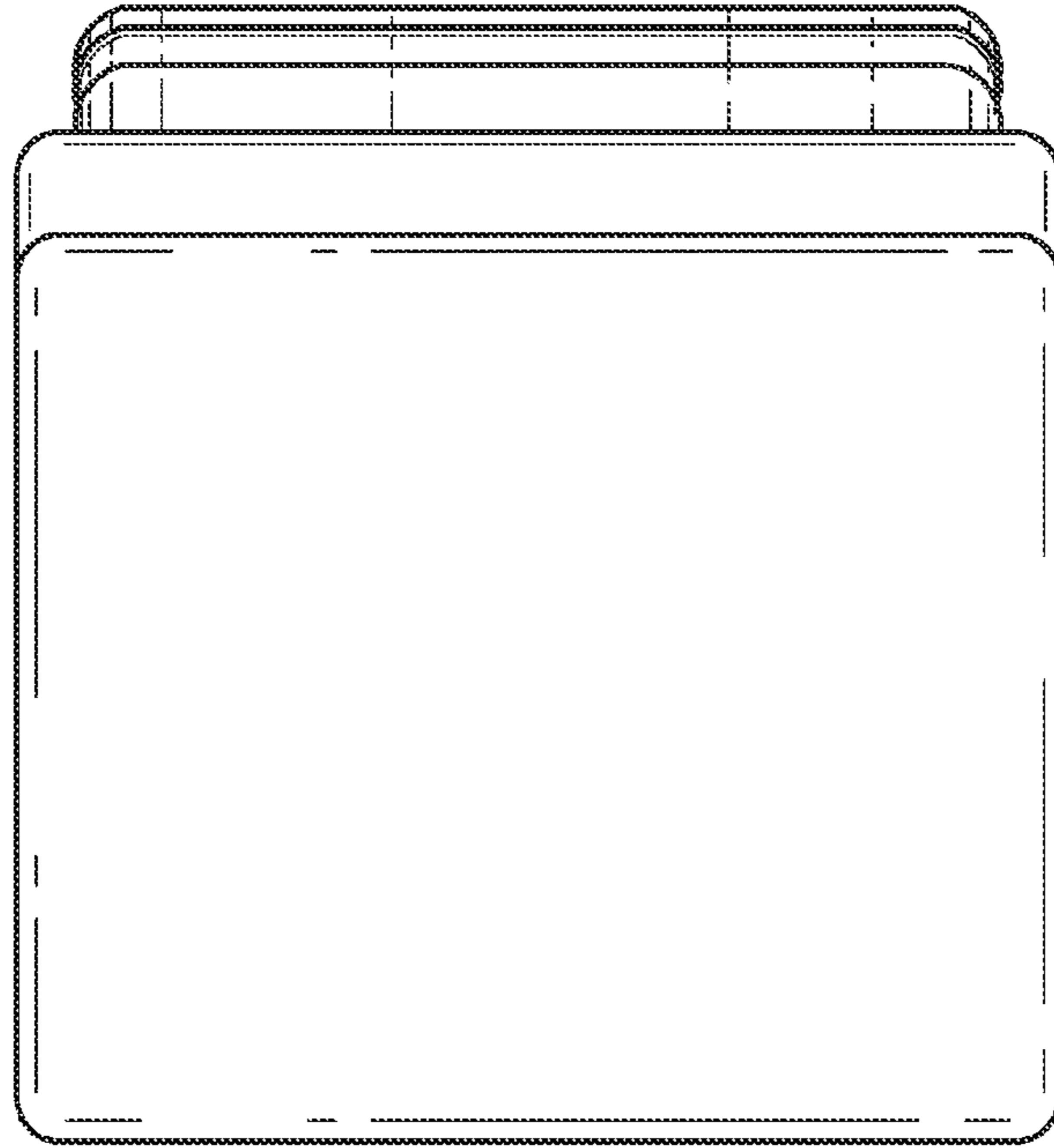


FIG. 5

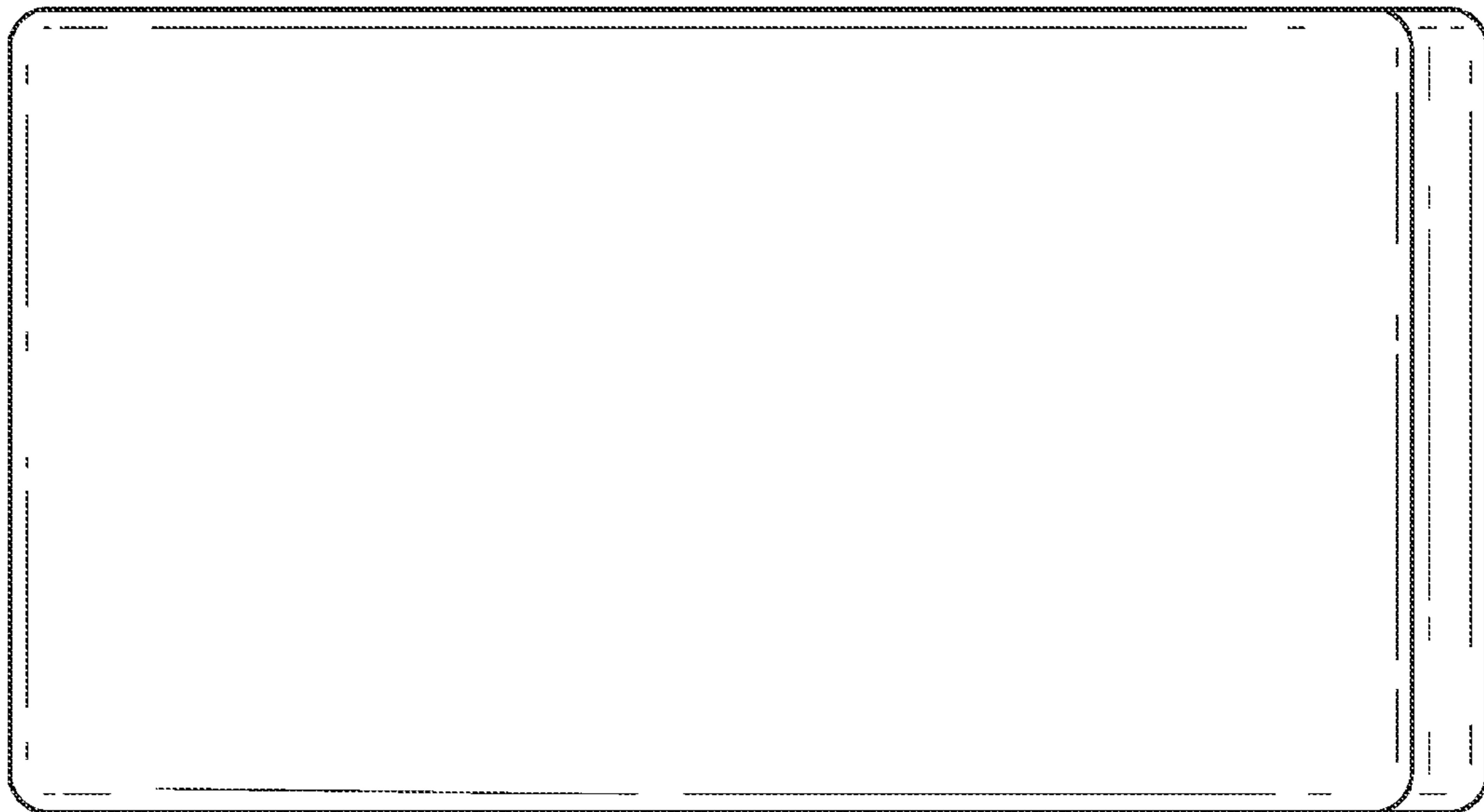


FIG. 6