



US00D672557S

(12) **United States Design Patent**
Farrell

(10) **Patent No.:** **US D672,557 S**
(45) **Date of Patent:** **** Dec. 18, 2012**

(54) **CONTAINER FOR APPLIANCE**

(76) Inventor: **Christopher John Farrell**, Helensvale (AU)

(**) Term: **14 Years**

(21) Appl. No.: **29/393,717**

(22) Filed: **Jun. 8, 2011**

(51) **LOC (9) Cl.** **03-01**

(52) **U.S. Cl.** **D3/294**; D24/176; D24/227

(58) **Field of Classification Search** D24/181, D24/123, 180, 205, 227, 224, 176-177; D3/201, D3/203.1, 230, 304, 273, 294; D6/432, 446; 128/859, 861; 164/376; 206/563, 565, 63.5, 206/207, 368; 433/77, 79

See application file for complete search history.

(56) **References Cited**

U.S. PATENT DOCUMENTS

D187,403	S	*	3/1960	Wachtel	D24/176
D257,790	S	*	1/1981	Kesling	D24/227
D278,849	S	*	5/1985	Hoyle	D24/181
D315,954	S	*	4/1991	Berland	D3/294
D353,744	S	*	12/1994	Ferris et al.	D7/629
D400,011	S	*	10/1998	Palmer et al.	D3/294
D404,644	S	*	1/1999	Meeker	D24/227
6,295,996	B1	*	10/2001	Dickie	206/63.5
D452,373	S	*	12/2001	Horntrich	D3/294
D496,154	S	*	9/2004	Herman et al.	D3/203.1
7,090,073	B2	*	8/2006	Barnes	206/368

7,201,271	B1	*	4/2007	Saad	206/63.5
2004/0244805	A1	*	12/2004	Cook et al.	128/859
2008/0283422	A1	*	11/2008	Jansheski	206/63.5

OTHER PUBLICATIONS

Shutterstock. Copyright 2003-2012. [Retrieved on Jun. 5, 2012]. Retrieved from the Internet: <URL: <http://www.shutterstock.com/pic-65234185/stock-photo-mouth-guard-in-its-container.html>>.*
Appliance container pictures, 1995, 8 pages.

* cited by examiner

Primary Examiner — Wan Laymon

(74) *Attorney, Agent, or Firm* — Grossman Tucker Perreault & Pflieger PLLC

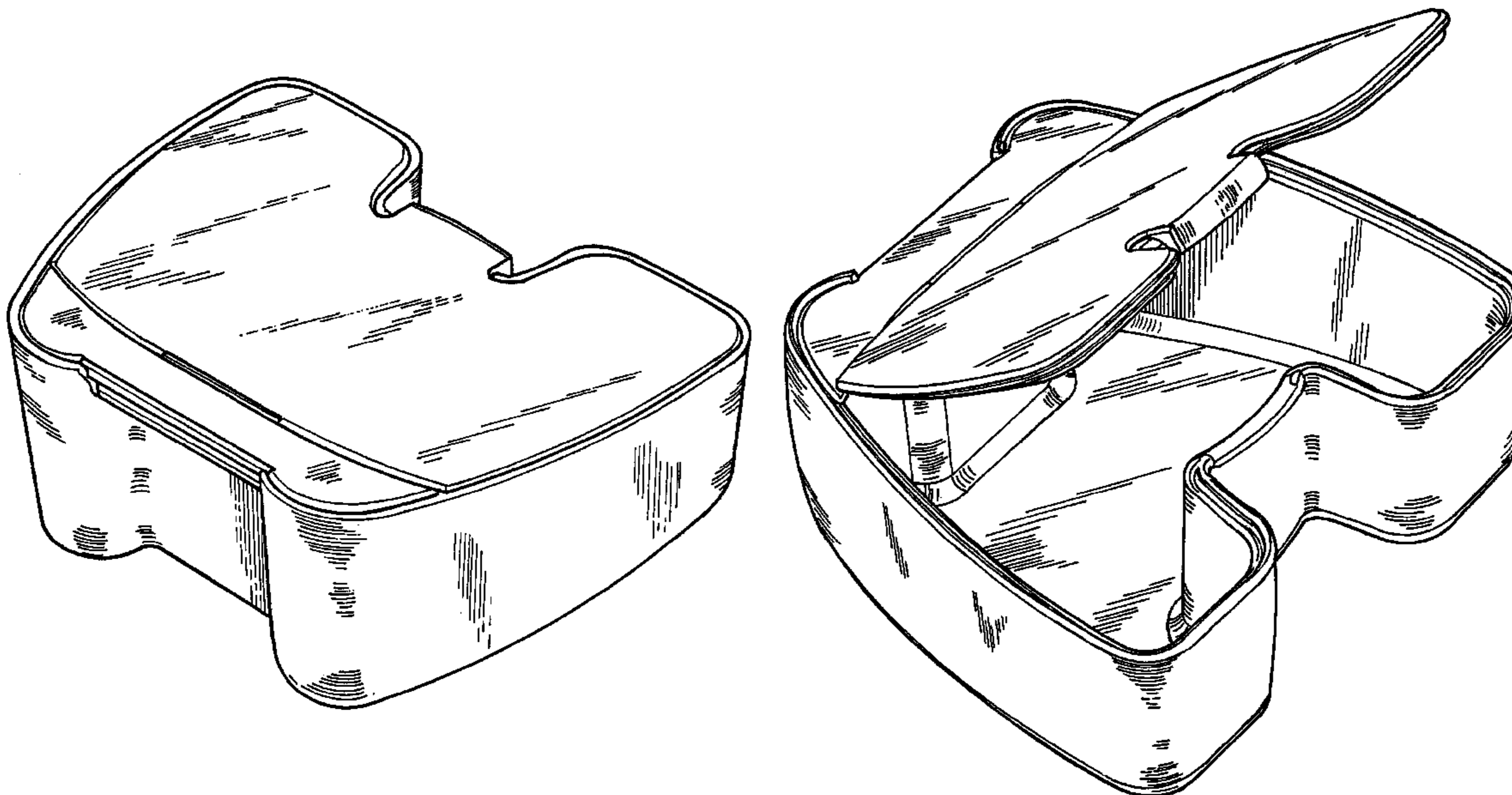
(57) **CLAIM**

The ornamental design for a container for appliance, as shown.

DESCRIPTION

FIG. 1 is a top and rear perspective view of a container for appliance of the present invention;
FIG. 2 is a top and front perspective view thereof;
FIG. 3 is a slightly enlarged rear view thereof;
FIG. 4 is a slightly enlarged front view thereof;
FIG. 5 is a slightly enlarged side view thereof;
FIG. 6 is a top plan view thereof; and
FIG. 7 is a bottom plan view thereof; and,
FIG. 8 is a front perspective view thereof with the lid shown in an open position.

1 Claim, 7 Drawing Sheets



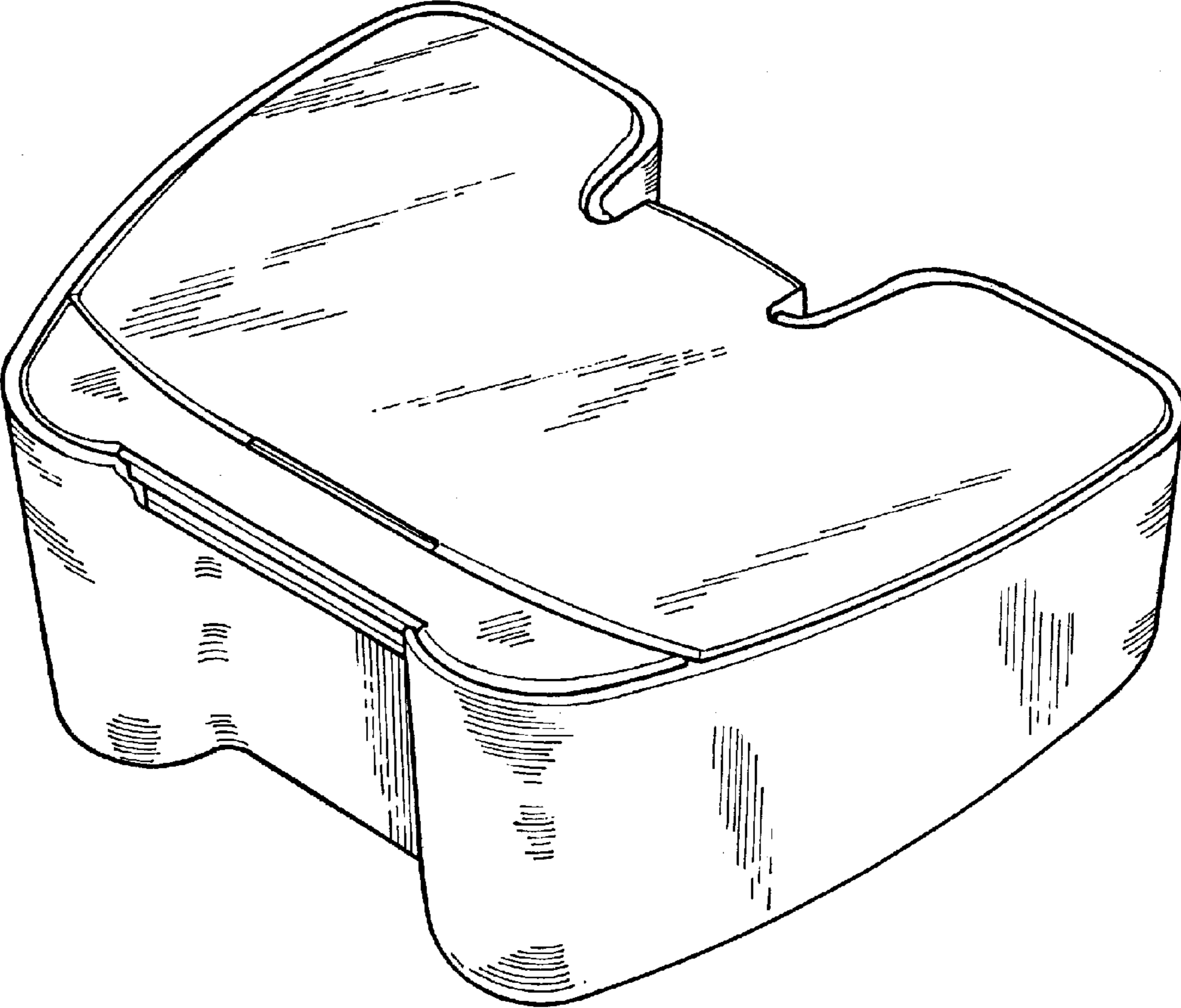


FIG. 1

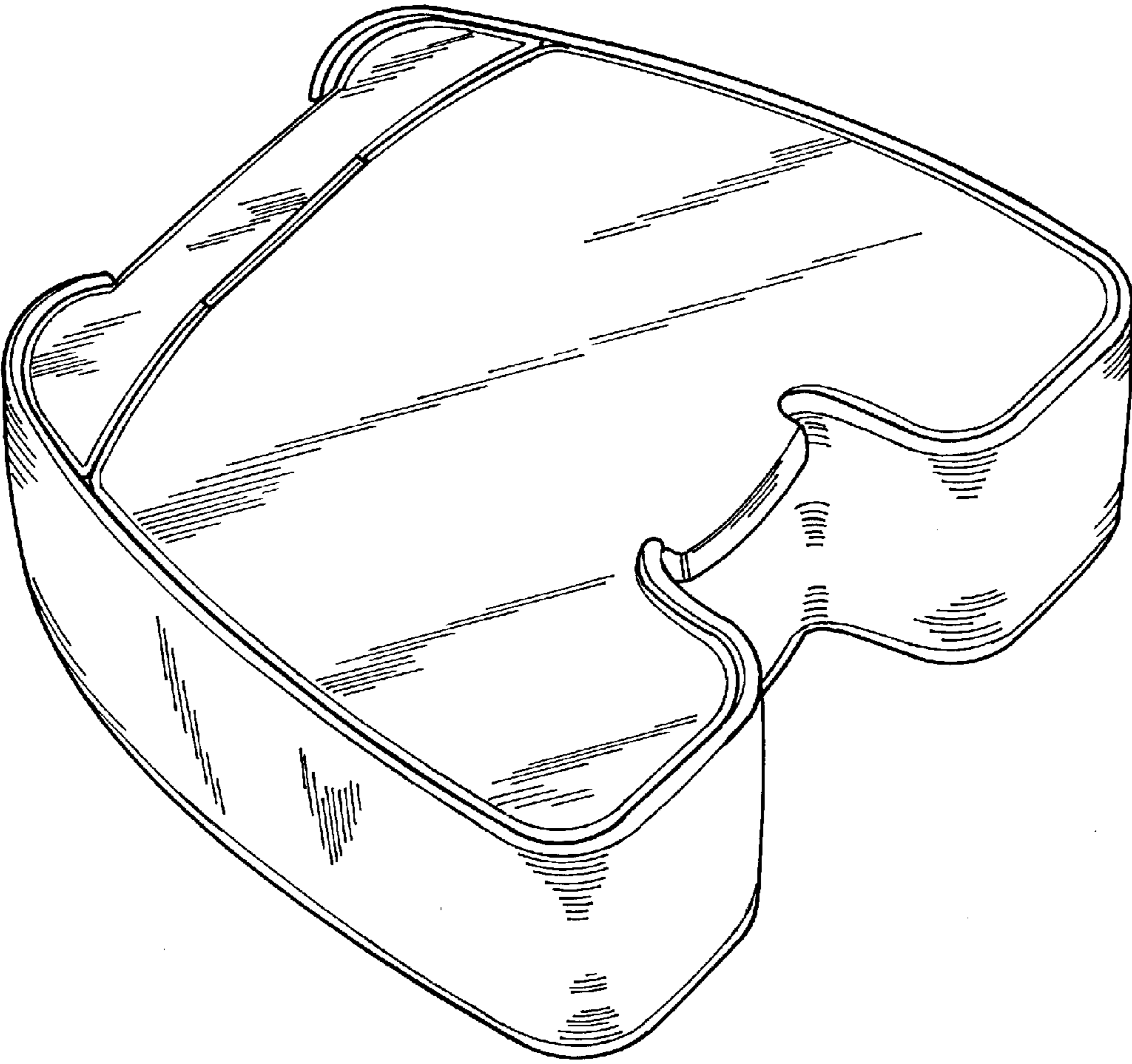


FIG.2

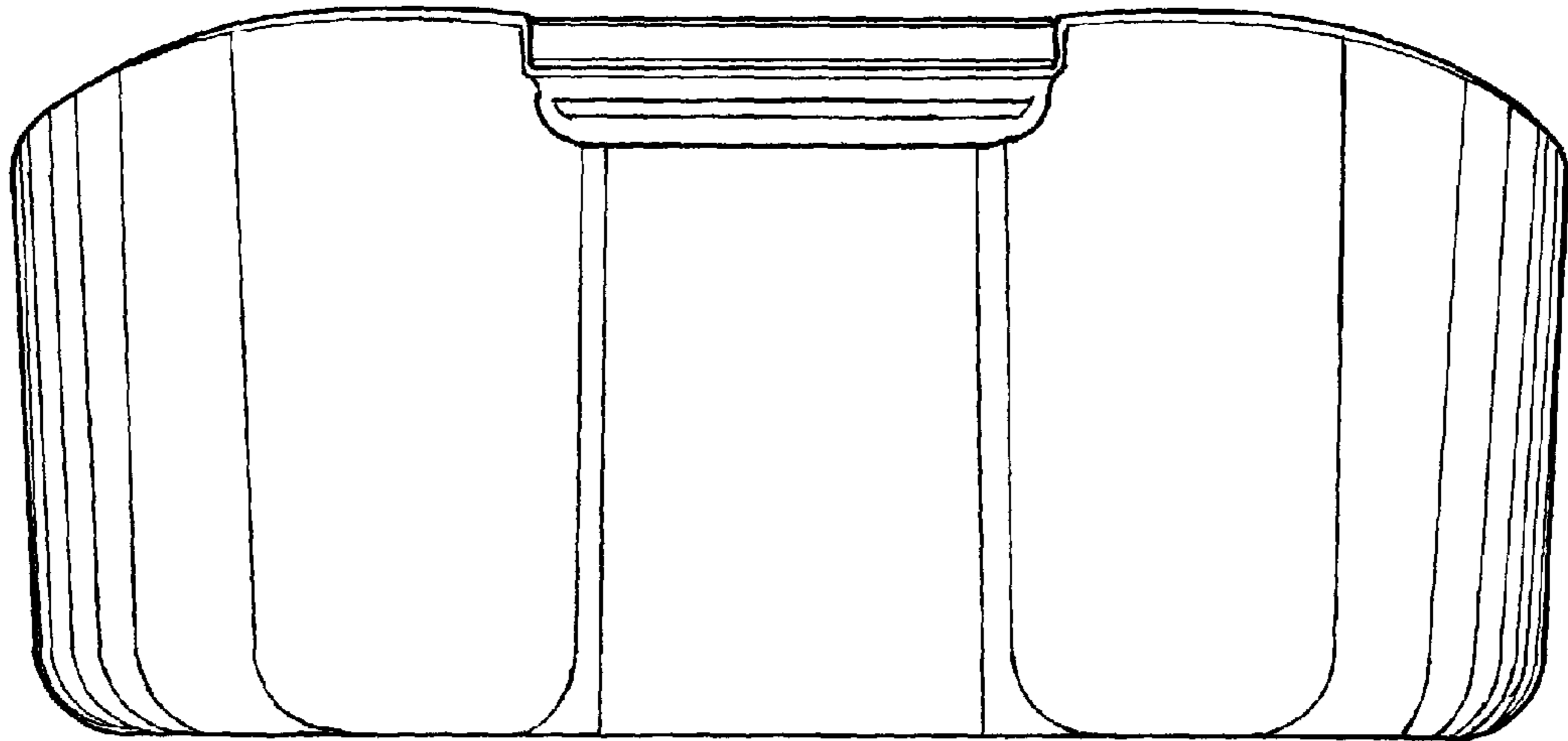


FIG. 3

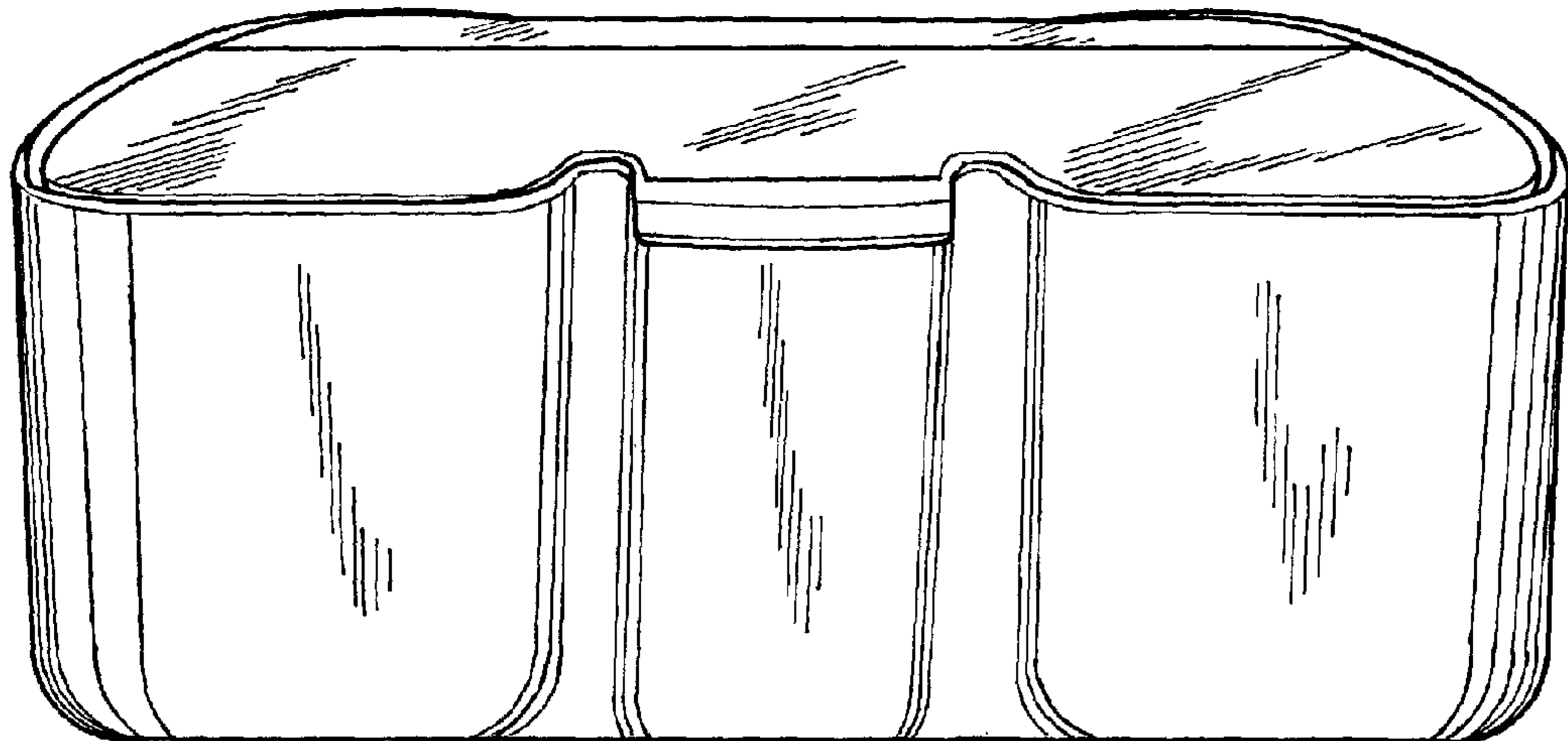


FIG. 4

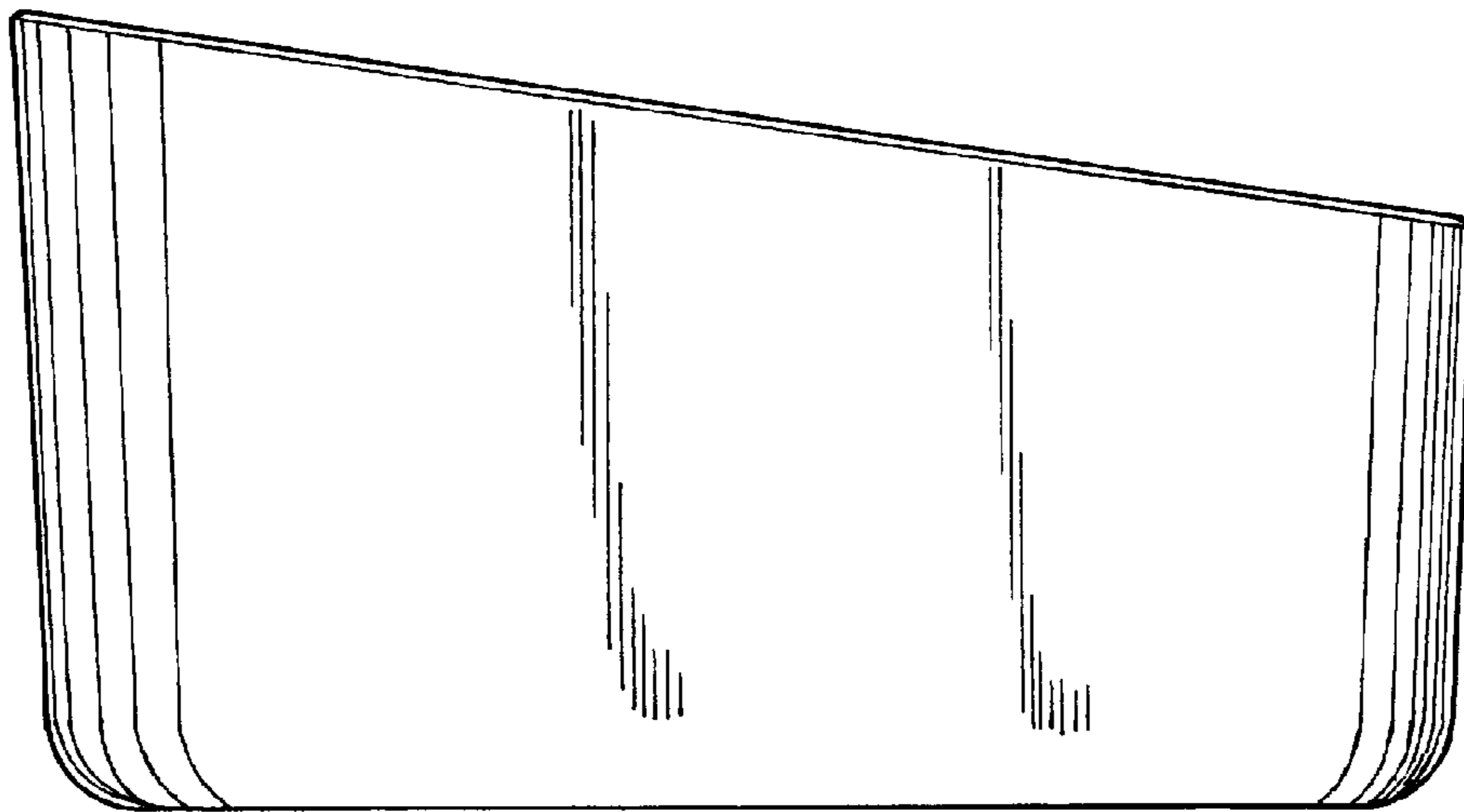


FIG.5

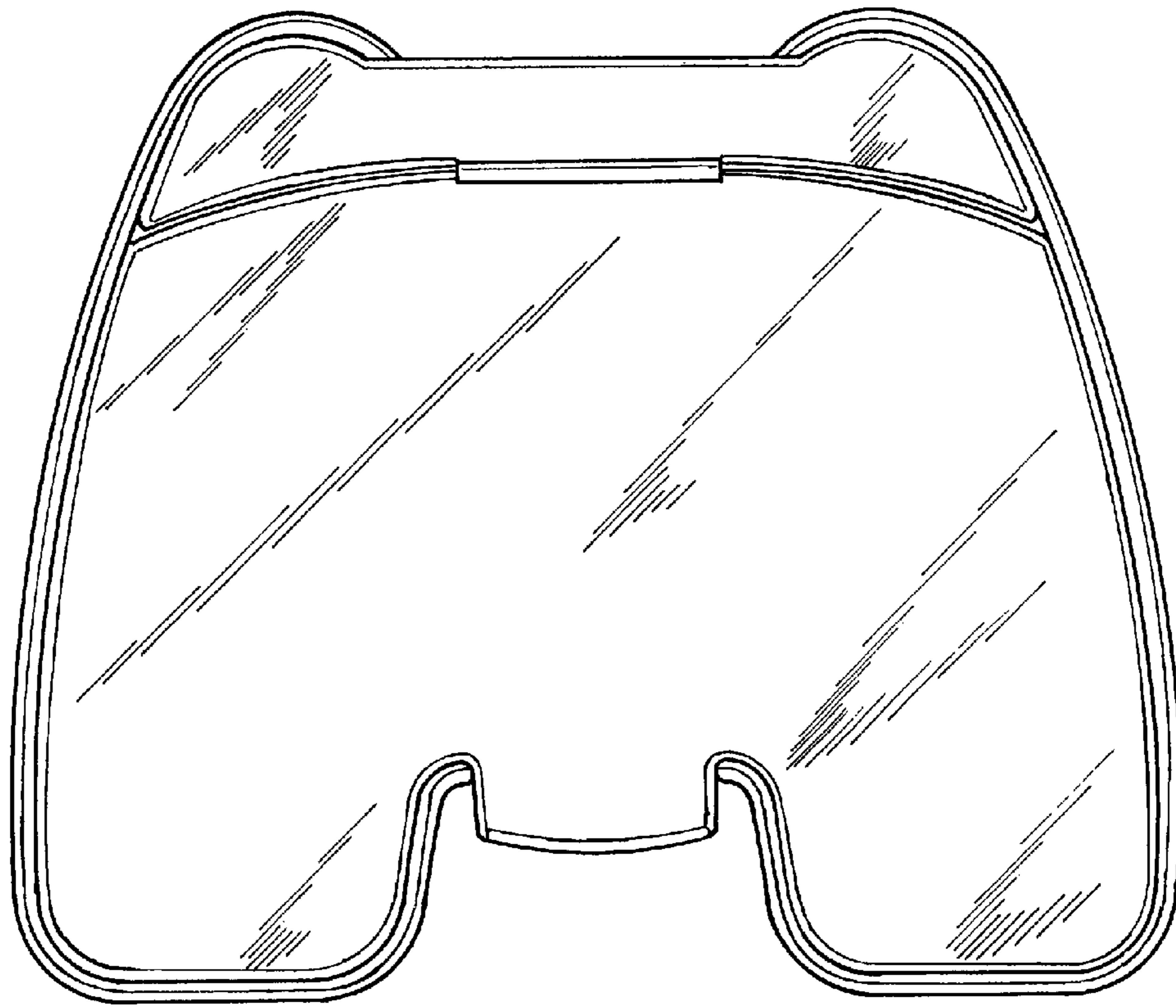


FIG.6

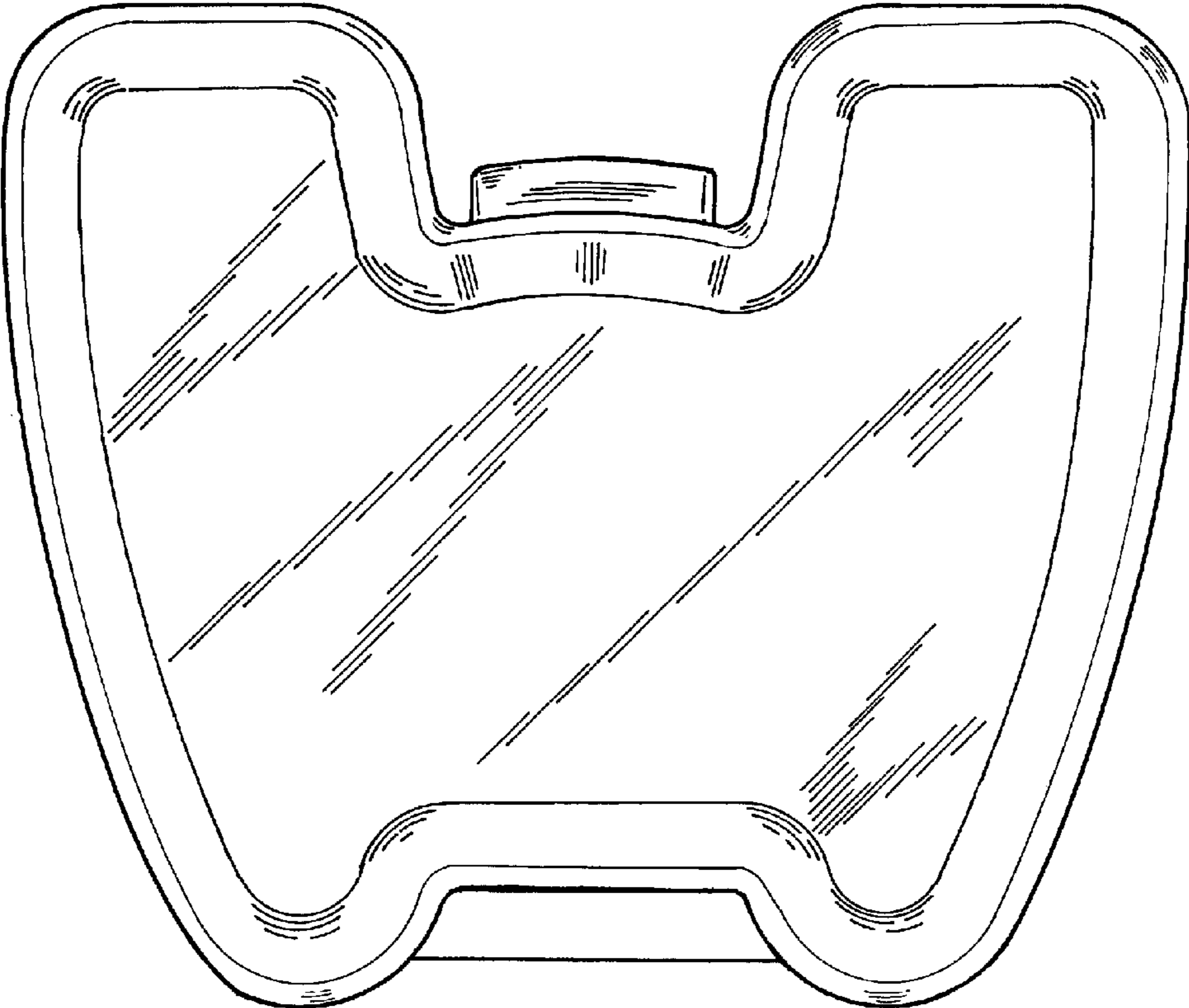


FIG.7

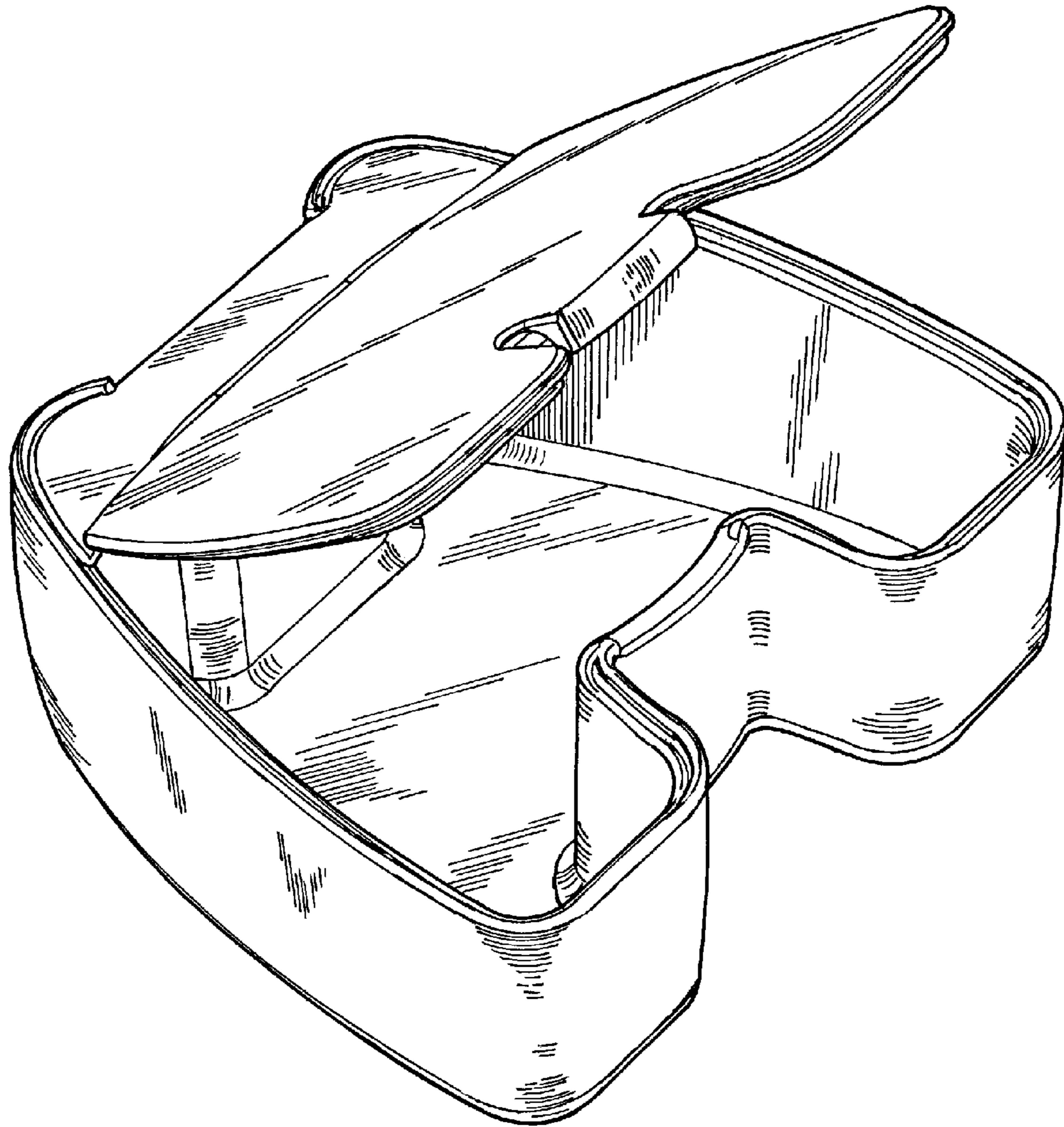


FIG.8