



US00D672555S

(12) **United States Design Patent**  
**Shitrit**

(10) **Patent No.:** **US D672,555 S**

(45) **Date of Patent:** **\*\* Dec. 18, 2012**

(54) **TOOLBOX**

(75) **Inventor:** **Elad Hay Shitrit**, Tel Aviv (IL)

(73) **Assignee:** **The Stanley Works Israel Ltd.**, Rosh Ha' Ayin (IL)

(\*\*) **Term:** **14 Years**

(21) **Appl. No.:** **29/394,495**

(22) **Filed:** **Jun. 17, 2011**

(51) **LOC (9) Cl.** ..... **03-01**

(52) **U.S. Cl.** ..... **D3/281; D3/905**

(58) **Field of Classification Search** ..... 206/349,  
206/372-379; 220/523-528, 23.4; D3/273,  
D3/276, 280-288, 291-297, 900-905; 211/70.6  
See application file for complete search history.

(56) **References Cited**

**U.S. PATENT DOCUMENTS**

D630,435 S \* 1/2011 Brunner ..... D3/276  
D639,054 S \* 6/2011 Fraiman et al. .... D3/276

D639,055 S \* 6/2011 Fraiman et al. .... D3/276  
D649,350 S \* 11/2011 Shitrit ..... D3/281  
2004/0134818 A1 \* 7/2004 Cunningham et al. .... 206/373

\* cited by examiner

*Primary Examiner* — Jennifer Rivard

(74) *Attorney, Agent, or Firm* — Pillsbury Winthrop Shaw Pittman LLP

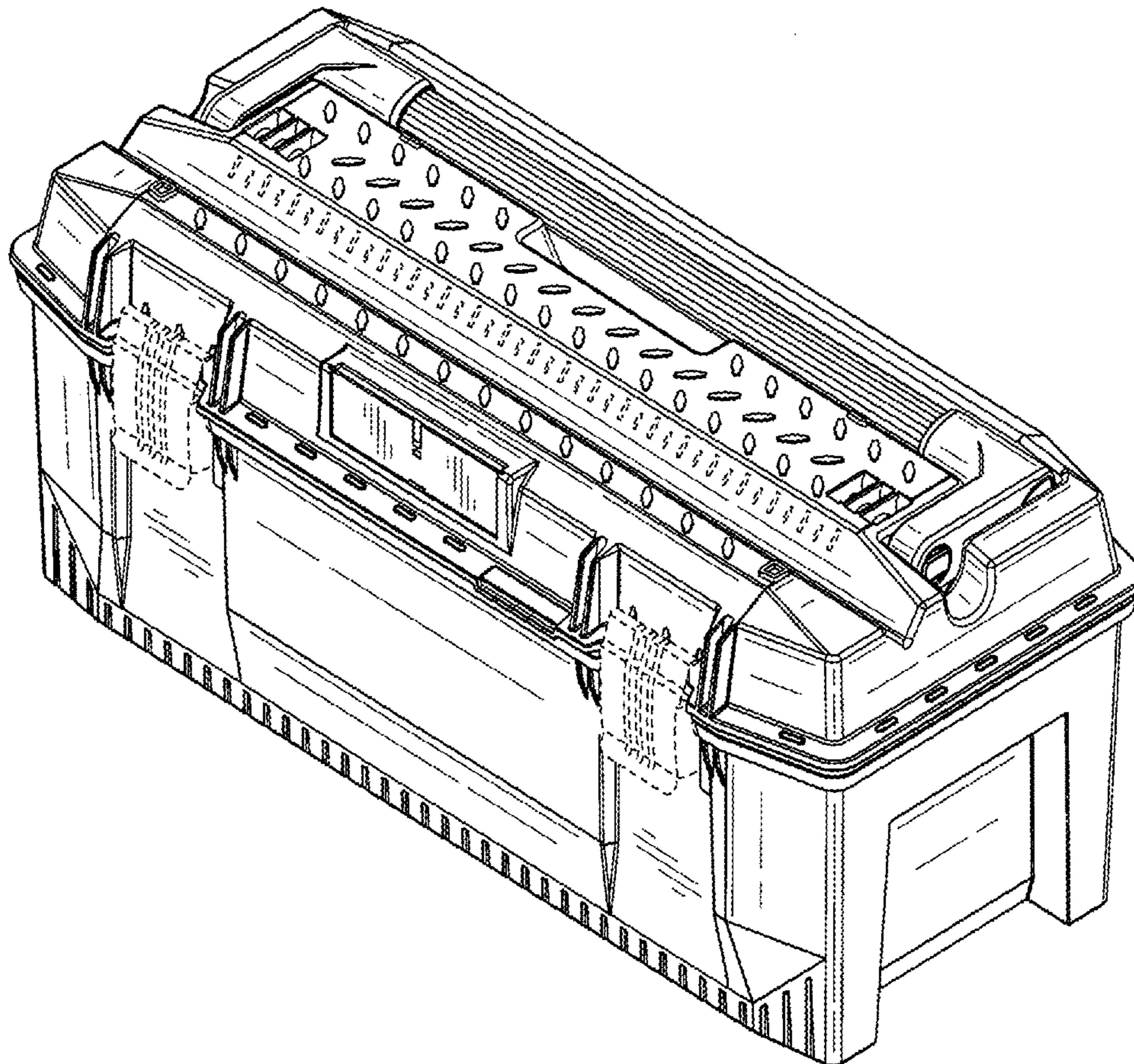
(57) **CLAIM**

The ornamental design for a toolbox, as shown and described.

**DESCRIPTION**

FIG. 1 is an isometric view according to my design; FIG. 2 is a front elevation view of the design of FIG. 1; FIG. 3 is a rear elevation view of the design of FIG. 1; FIG. 4 is a right elevation view of the design of FIG. 1; FIG. 5 is a left elevation view of the design of FIG. 1; FIG. 6 is a top plan view of the design of FIG. 1; and, FIG. 7 is a bottom plan view of the design of FIG. 1. Where included, broken lines showing environment or structure are for illustrative purposes only and form no part of the claimed design.

**1 Claim, 6 Drawing Sheets**



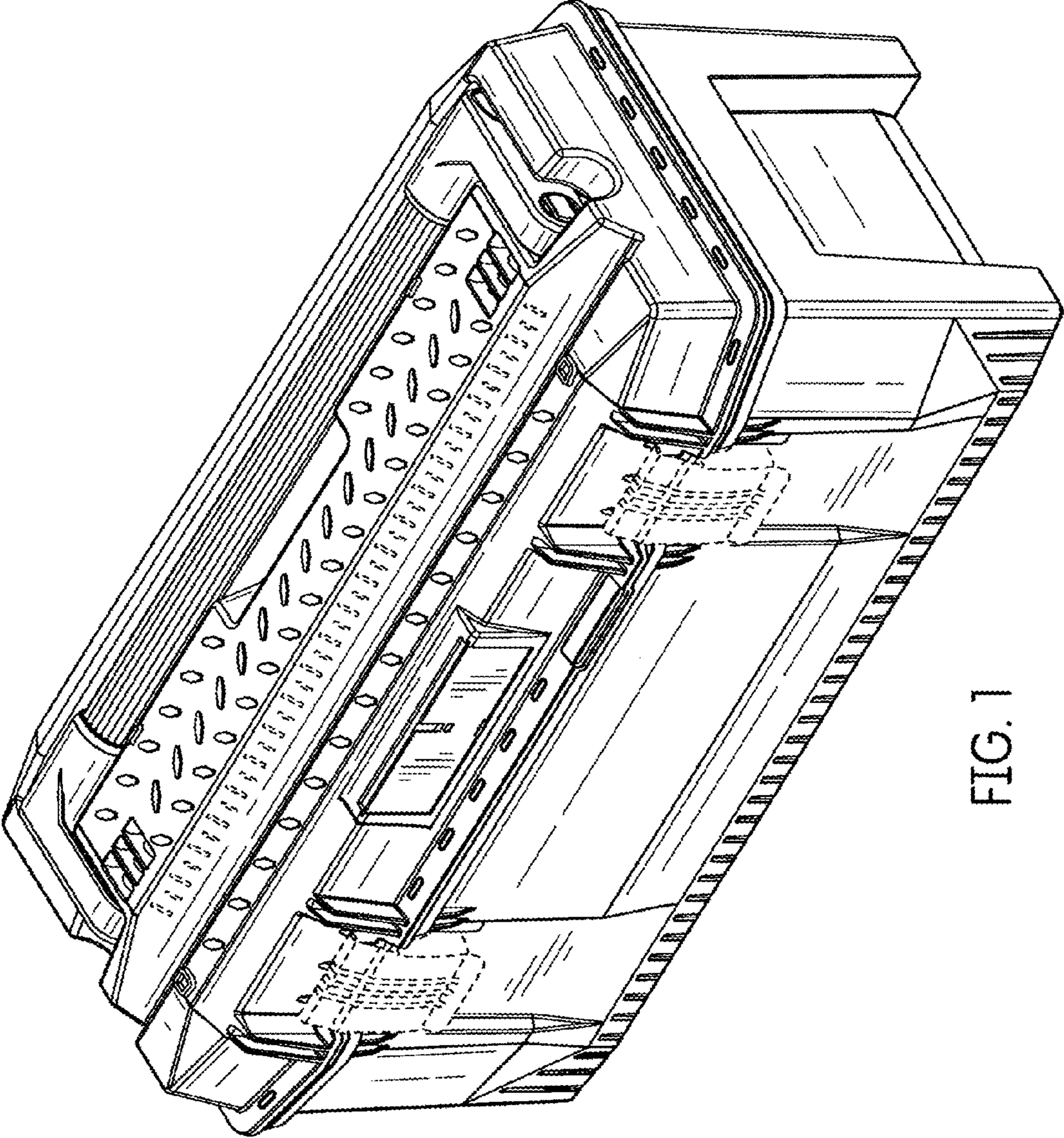


FIG. 1

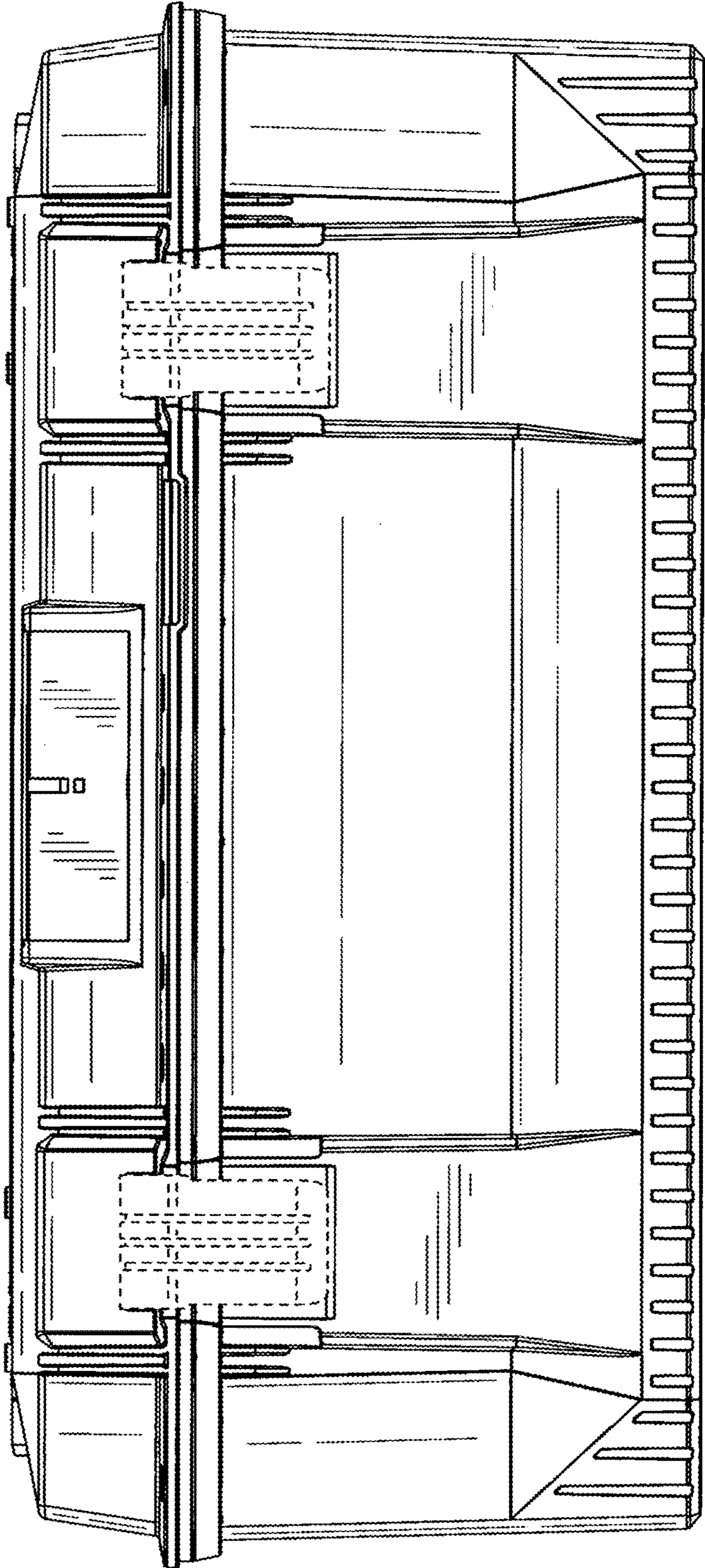


FIG. 2

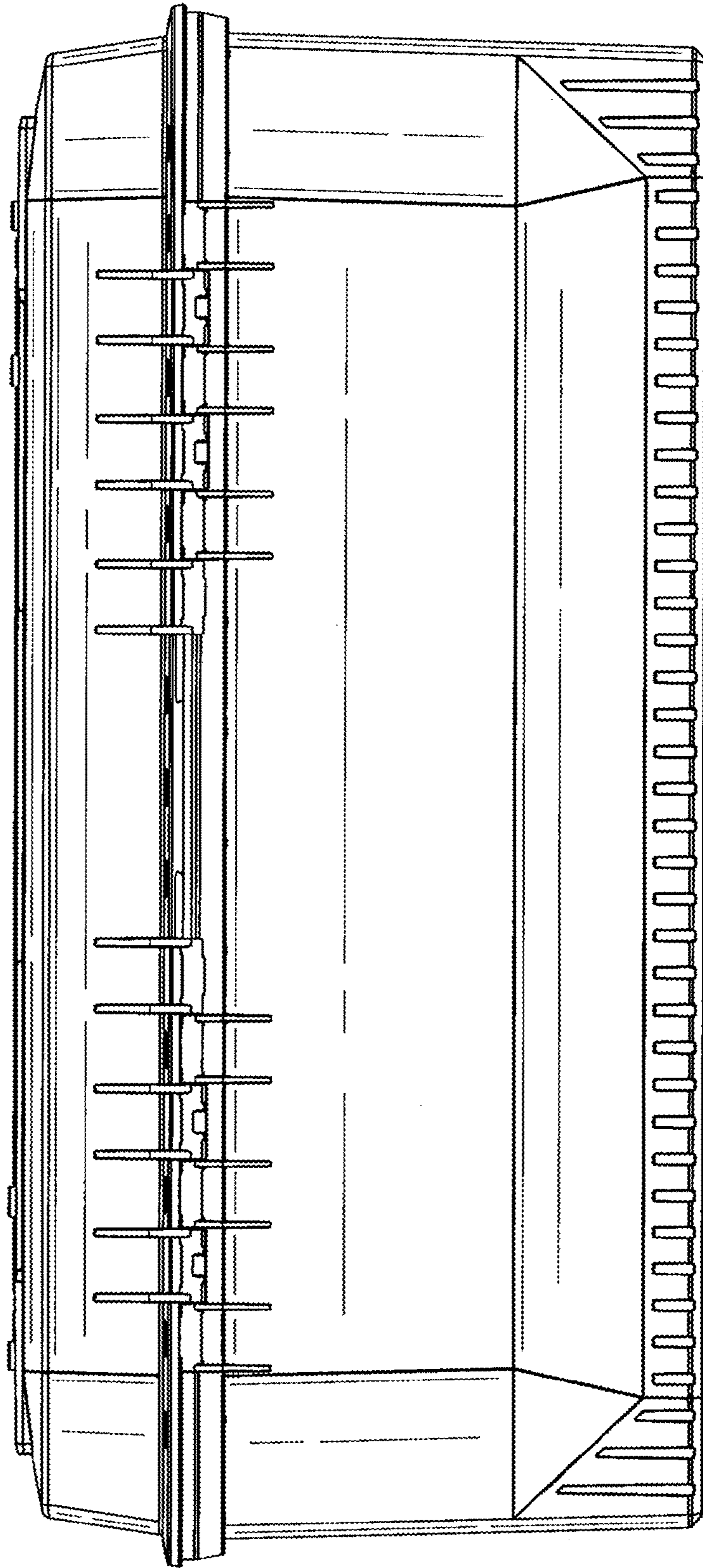


FIG. 3

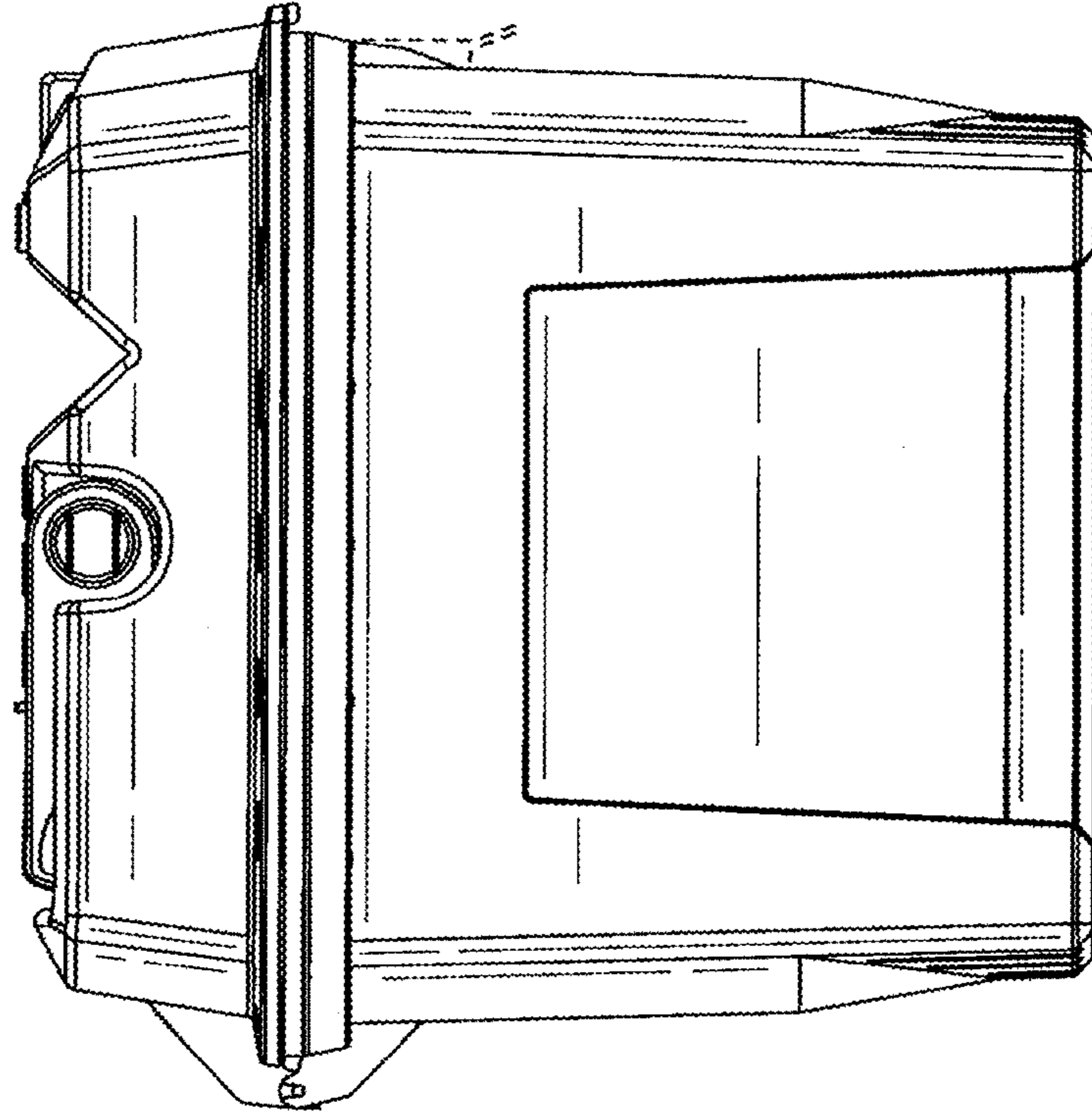


FIG. 5

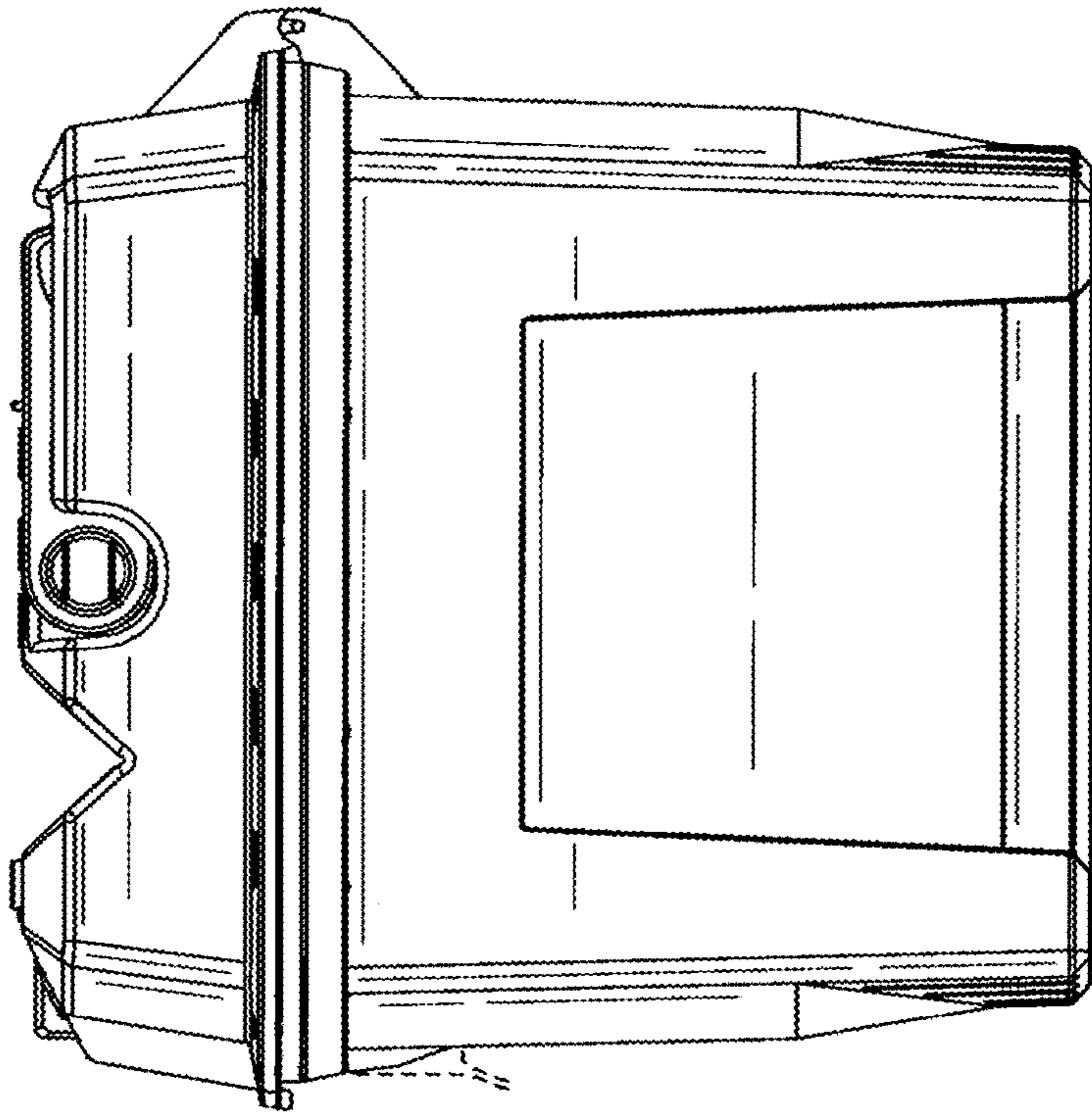


FIG. 4

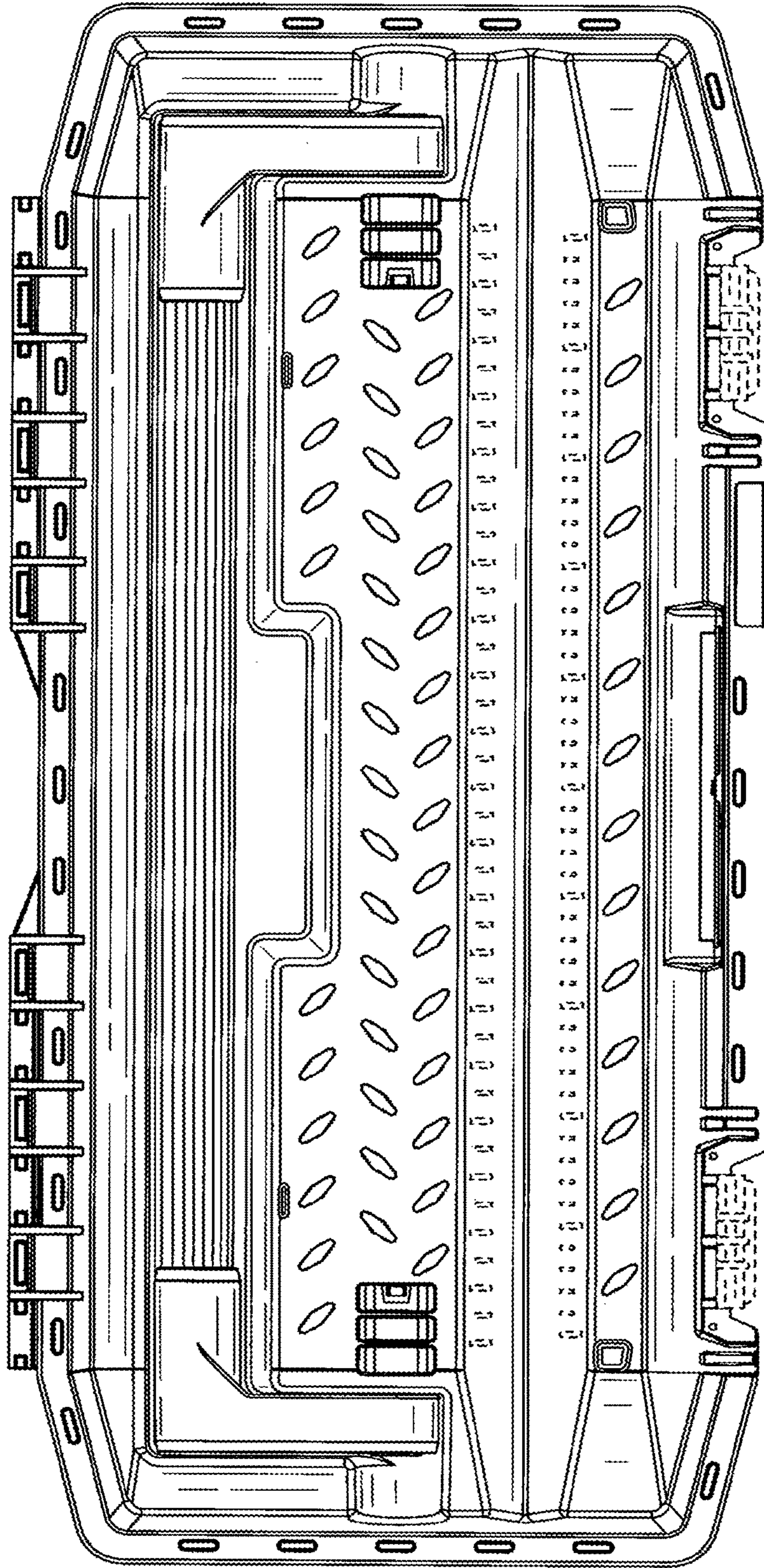


FIG. 6

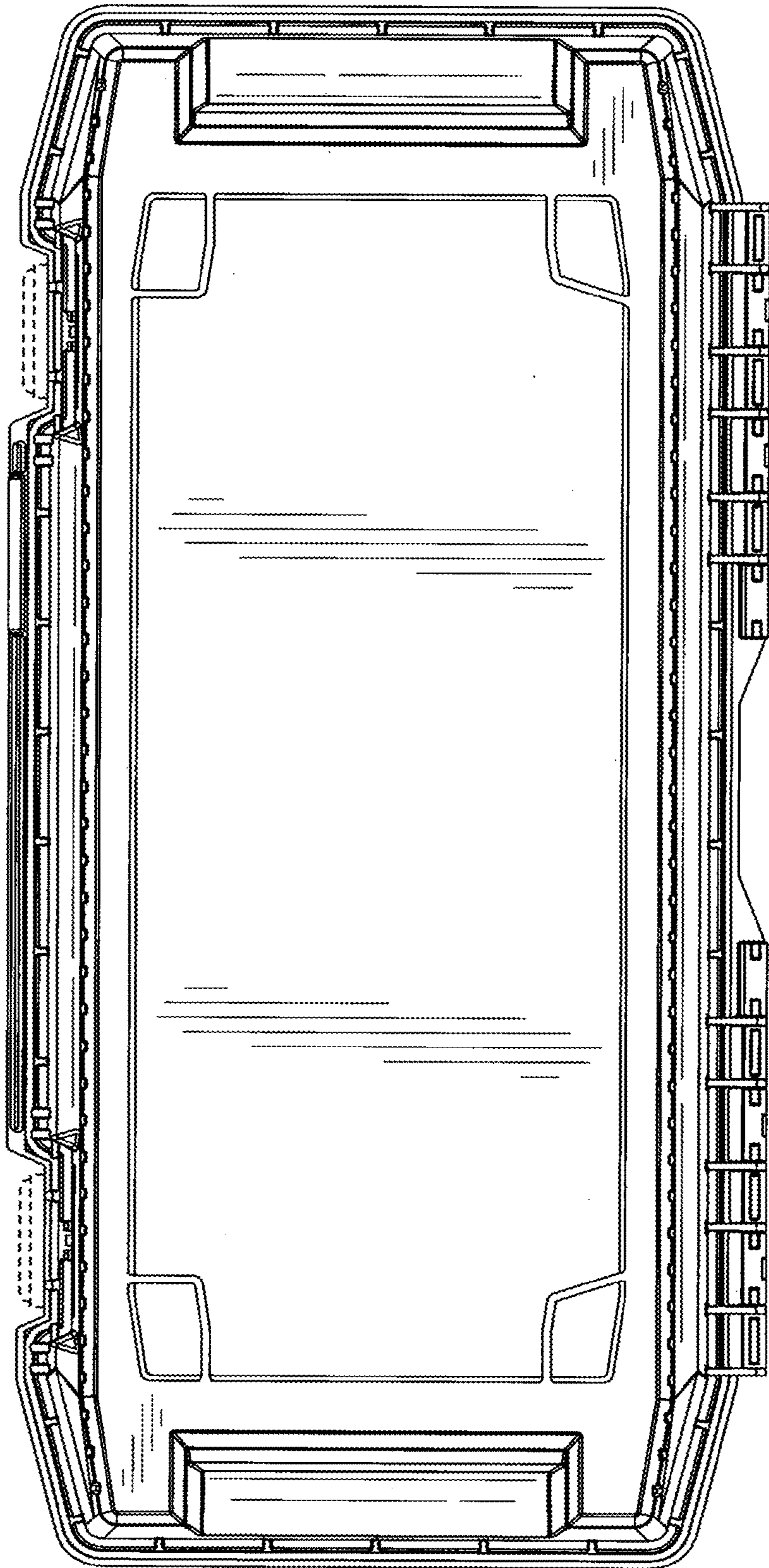


FIG. 7