

US00D672549S

(12) **United States Design Patent**  
**McLean**

(10) **Patent No.:** **US D672,549 S**

(45) **Date of Patent:** **\*\* Dec. 18, 2012**

(54) **KNIFE SHEATH**

(75) Inventor: **Mark A. McLean**, Spokane, WA (US)

(73) Assignee: **Buck Knives, Inc.**, Post Falls, ID (US)

(\*\*) Term: **14 Years**

(21) Appl. No.: **29/410,999**

(22) Filed: **Jan. 13, 2012**

(51) **LOC (9) Cl.** ..... **03-01**

(52) **U.S. Cl.** ..... **D3/220**

(58) **Field of Classification Search** ..... D3/220;  
D22/118; D8/95-99; 30/151, 161-162,  
30/143, 146; 224/232, 234, 904

See application file for complete search history.

(56) **References Cited**

**U.S. PATENT DOCUMENTS**

D140,745 S *	4/1945	Seber .....	D3/220
D250,824 S *	1/1979	Bowers .....	D3/220
5,146,684 A *	9/1992	Hagler .....	30/162
5,255,436 A *	10/1993	Yoshida .....	30/151
D369,673 S *	5/1996	Morton et al. ....	D3/220

5,568,888 A \* 10/1996 Seber ..... 224/232

\* cited by examiner

*Primary Examiner* — Catheri Oliver-Garcia

(74) *Attorney, Agent, or Firm* — Kilpatrick Townsend & Stockton LLP

(57) **CLAIM**

The ornamental design for knife sheath, as shown and described.

**DESCRIPTION**

FIG. 1 is a perspective view of a knife sheath showing my new design;

FIG. 2 is a front elevational view,

FIG. 3 is a rear elevational view,

FIG. 4 is a left side elevational view,

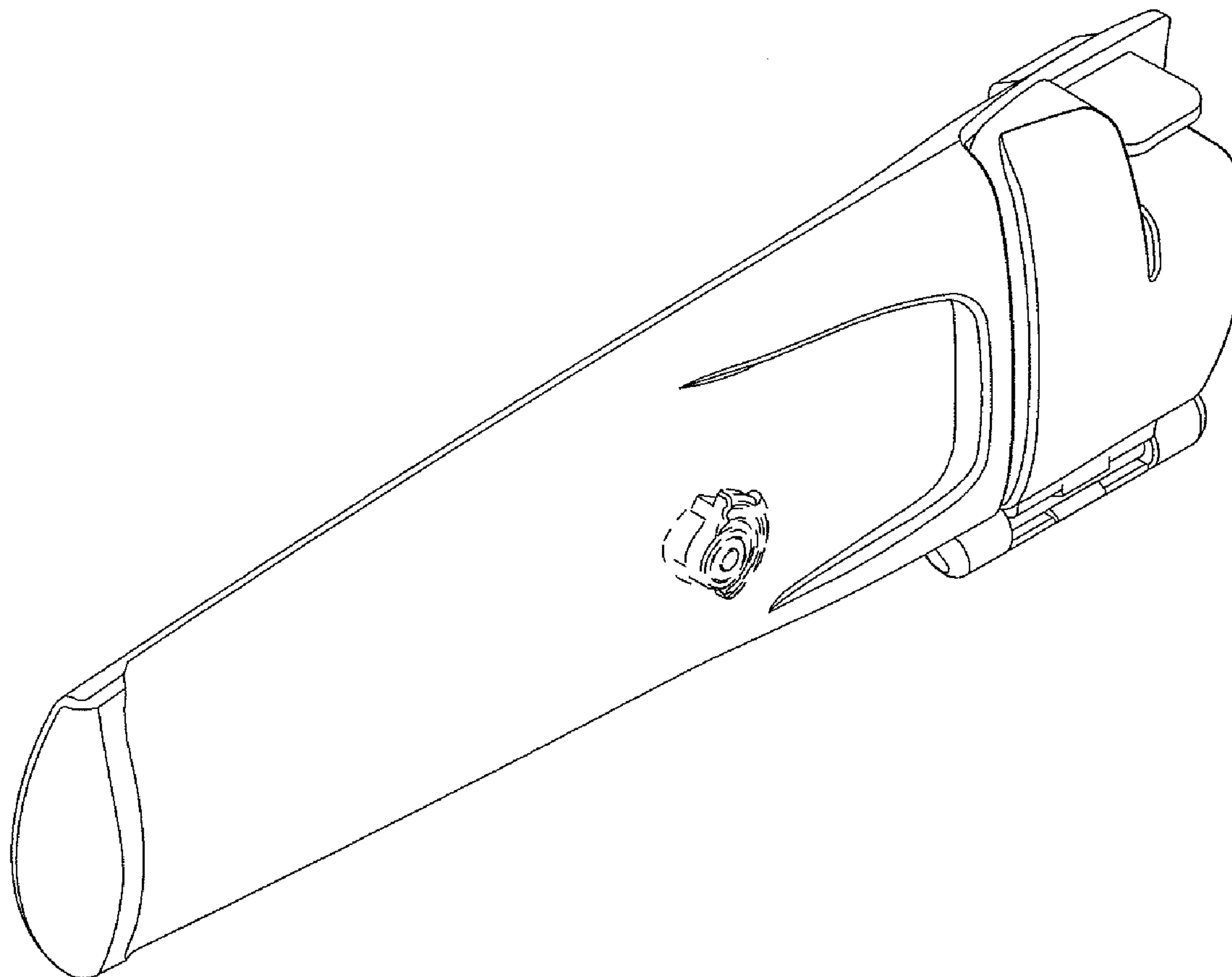
FIG. 5 is a right side elevational view,

FIG. 6 is a top plan view thereof; and,

FIG. 7 is a bottom plan view thereof.

The broken line showing is for illustrative purposes only and forms no part of the claimed design.

**1 Claim, 7 Drawing Sheets**



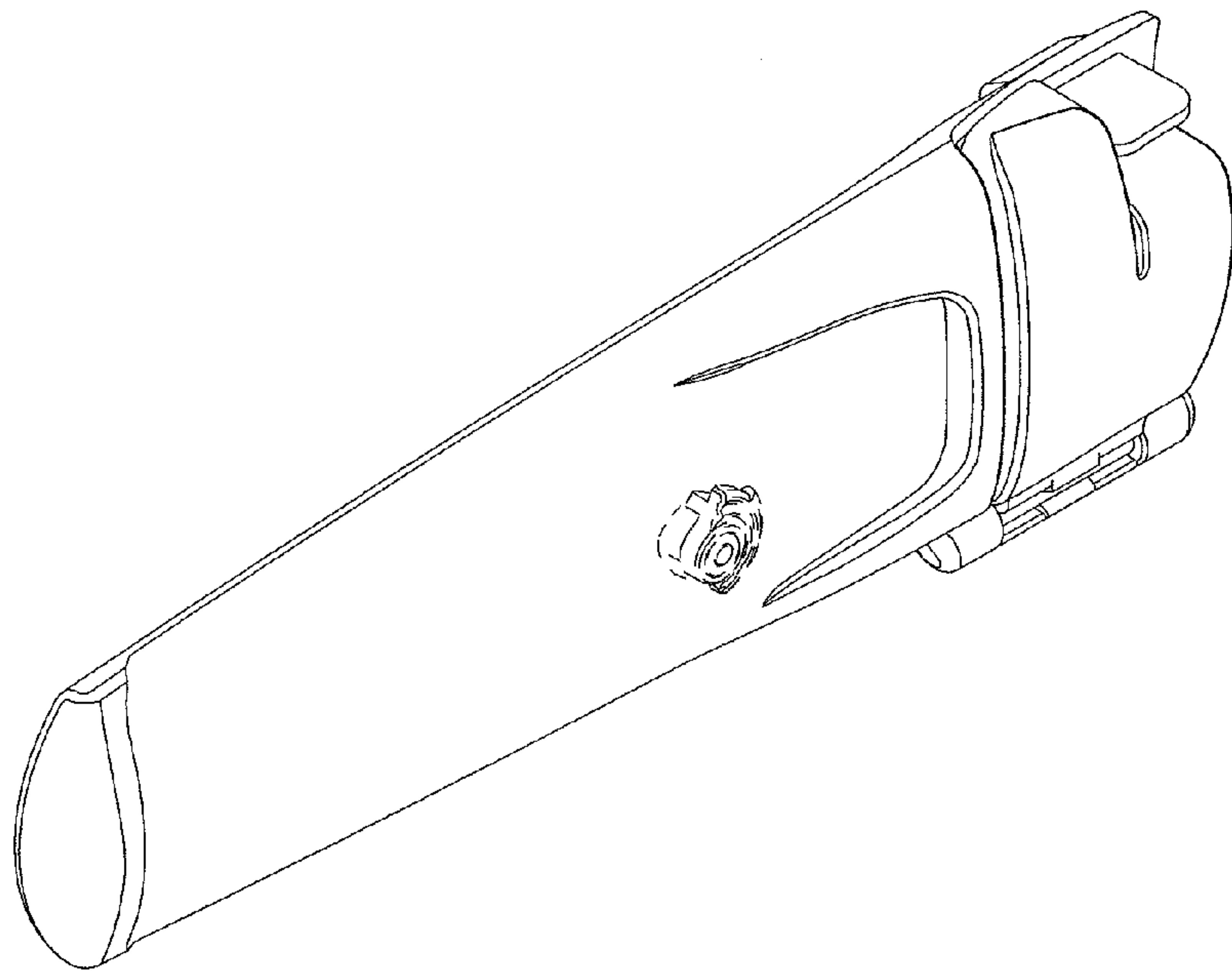


FIG. 1

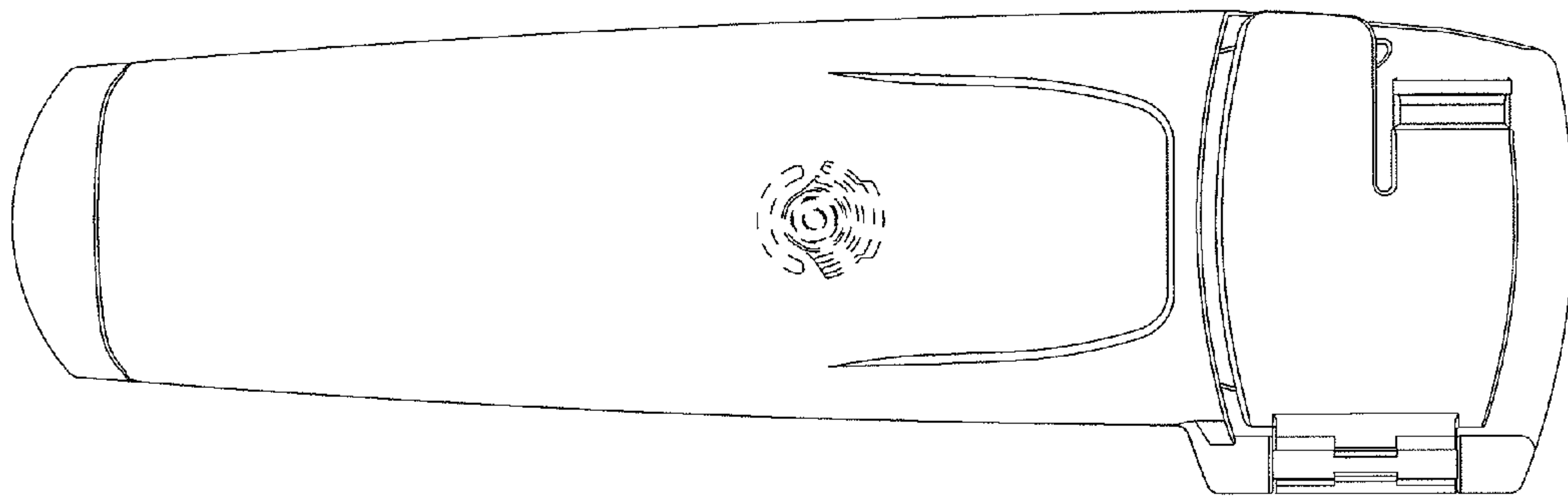


FIG. 2

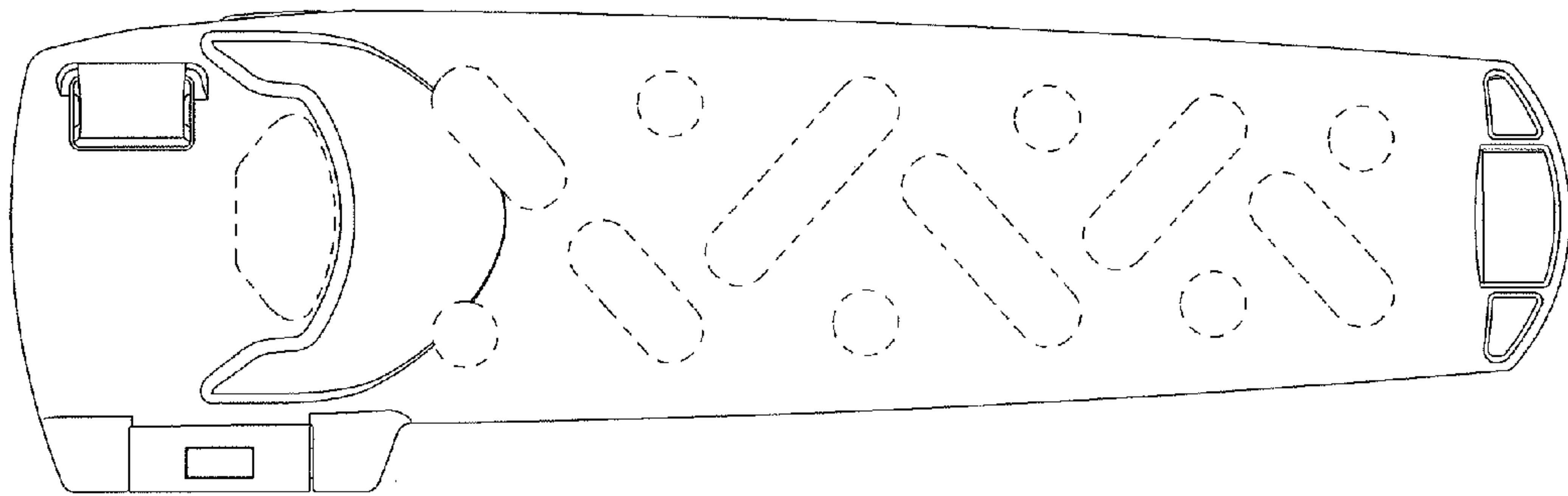


FIG. 3

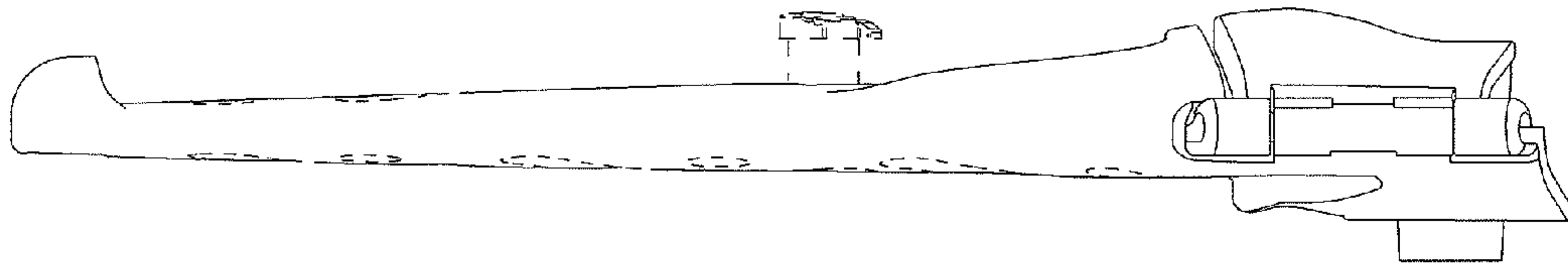


FIG. 4

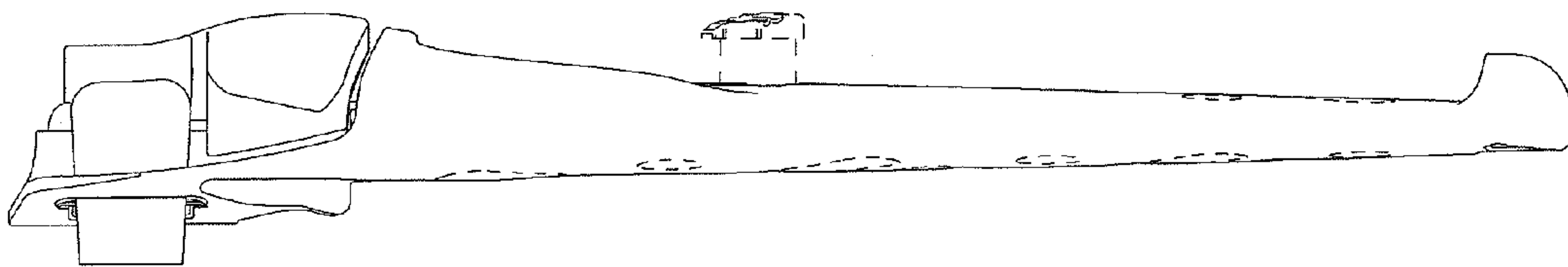


FIG. 5

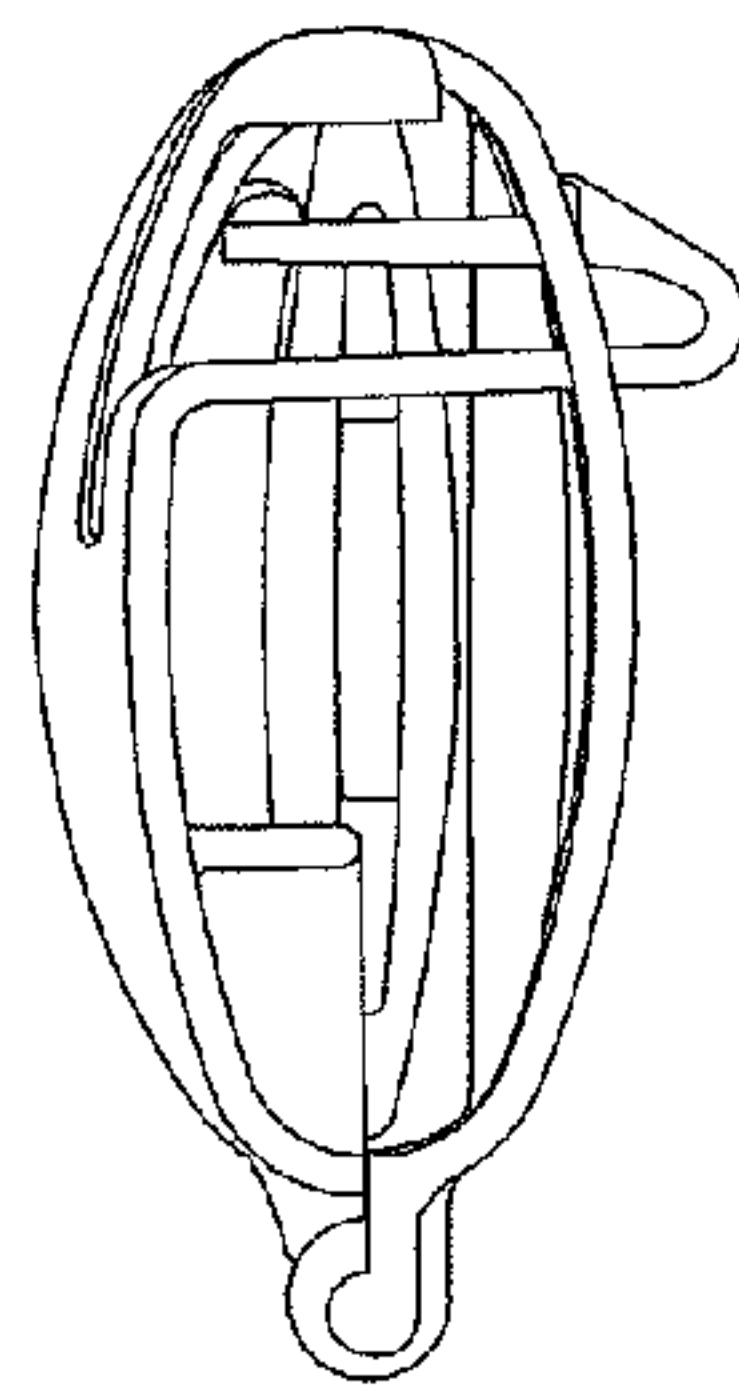


FIG. 6

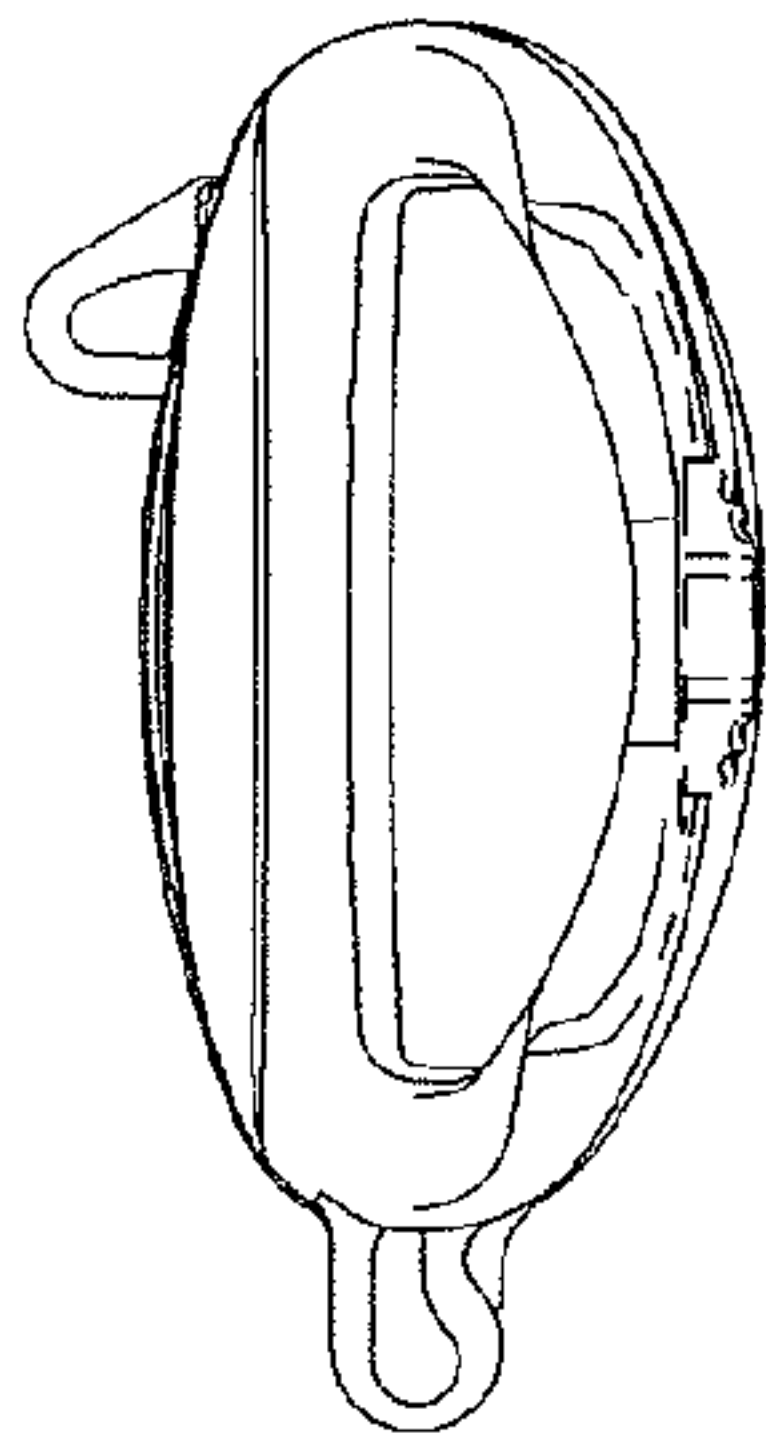


FIG. 7