



US00D672547S

(12) **United States Design Patent**  
**Bettauer**

(10) **Patent No.:** **US D672,547 S**

(45) **Date of Patent:** **\*\* Dec. 18, 2012**

(54) **BACKPACK**

(76) Inventor: **Nicole Bettauer**, Venice, CA (US)

(\*\*) Term: **14 Years**

(21) Appl. No.: **29/419,869**

(22) Filed: **May 2, 2012**

(51) **LOC (9) Cl.** ..... **03-01**

(52) **U.S. Cl.** ..... **D3/216**

(58) **Field of Classification Search** ..... D3/214–217,  
D3/283–285; 224/627, 637, 640, 645, 651–659,  
224/575, 578, 153

See application file for complete search history.

D611,680 S *	3/2010	Thomas	.....	D2/830
D641,973 S *	7/2011	Quehl	.....	D3/217
D647,694 S *	11/2011	Mitchell	.....	D3/216
8,118,201 B1 *	2/2012	Calkin	.....	224/156
D655,495 S *	3/2012	Sauer et al.	.....	D3/214
D657,132 S *	4/2012	Caperon	.....	D3/214
D661,085 S *	6/2012	Custer	.....	D3/217
D665,573 S *	8/2012	Crandall	.....	D3/217

\* cited by examiner

*Primary Examiner* — Kelley Donnelly

(74) *Attorney, Agent, or Firm* — Edwards Wildman Palmer LLP

(57) **CLAIM**

I claim the ornamental design for a backpack, as shown and described.

**DESCRIPTION**

FIG. 1 is a perspective view of a backpack;  
FIG. 2 is a front view of the backpack shown in FIG. 1;  
FIG. 3 is a rear view of the backpack shown in FIG. 1;  
FIG. 4 is a right side view of the backpack shown in FIG. 1;  
FIG. 5 is a left side view of the backpack shown in FIG. 1;  
FIG. 6 is a top view of the backpack shown in FIG. 1; and,  
FIG. 7 is a bottom view of the backpack shown in FIG. 1.

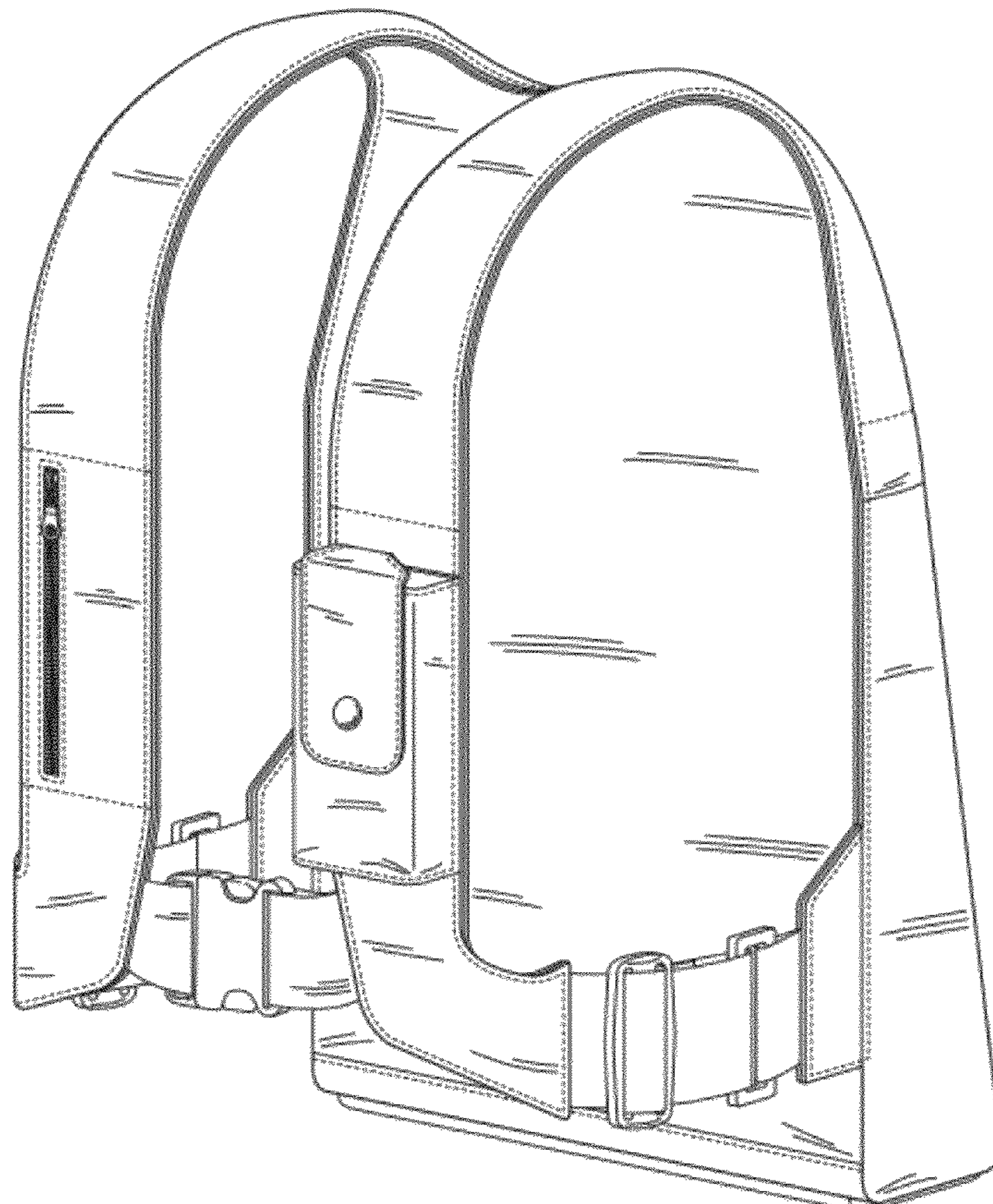
The portions of the backpack and any exemplary environment shown in broken lines are for illustrative purposes only and form no part of the claimed design.

**1 Claim, 4 Drawing Sheets**

(56) **References Cited**

U.S. PATENT DOCUMENTS

D323,237 S *	1/1992	Zoltie	.....	D2/831
D371,676 S *	7/1996	Geddes, Sr.	.....	D3/216
D390,352 S *	2/1998	Lane	.....	D3/216
D392,094 S *	3/1998	Lane	.....	D3/217
D457,307 S *	5/2002	Pukall et al.	.....	D3/217
D485,678 S *	1/2004	Haro	.....	D3/217
D500,590 S *	1/2005	Sachen	.....	D3/216
D506,607 S *	6/2005	Fonfeder	.....	D3/217
D506,864 S *	7/2005	Fonfeder	.....	D3/217
7,165,705 B2 *	1/2007	Haro	.....	224/629
D603,158 S *	11/2009	Lown et al.	.....	D3/217
D604,503 S *	11/2009	Patadia et al.	.....	D3/217



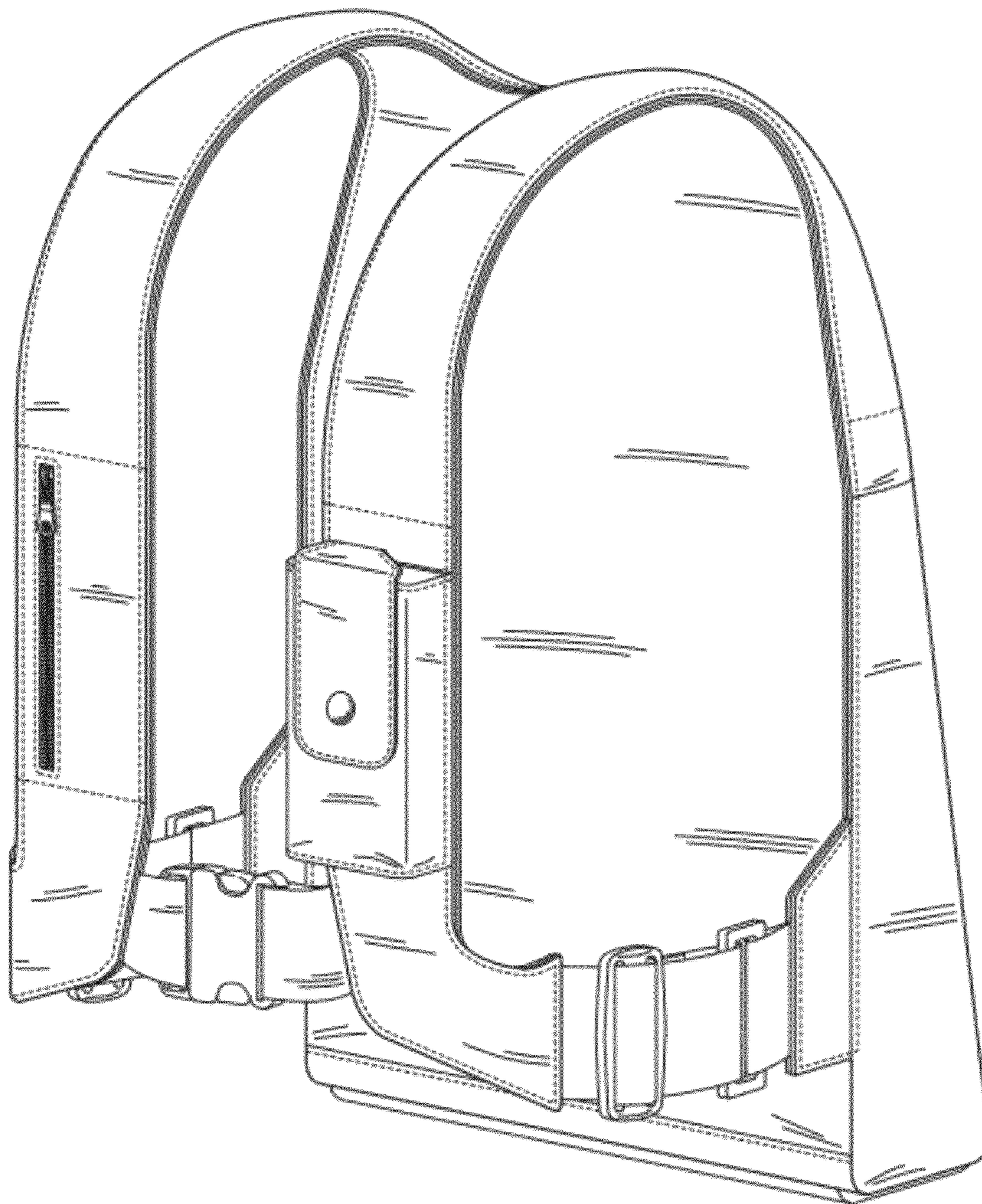


FIG. 1

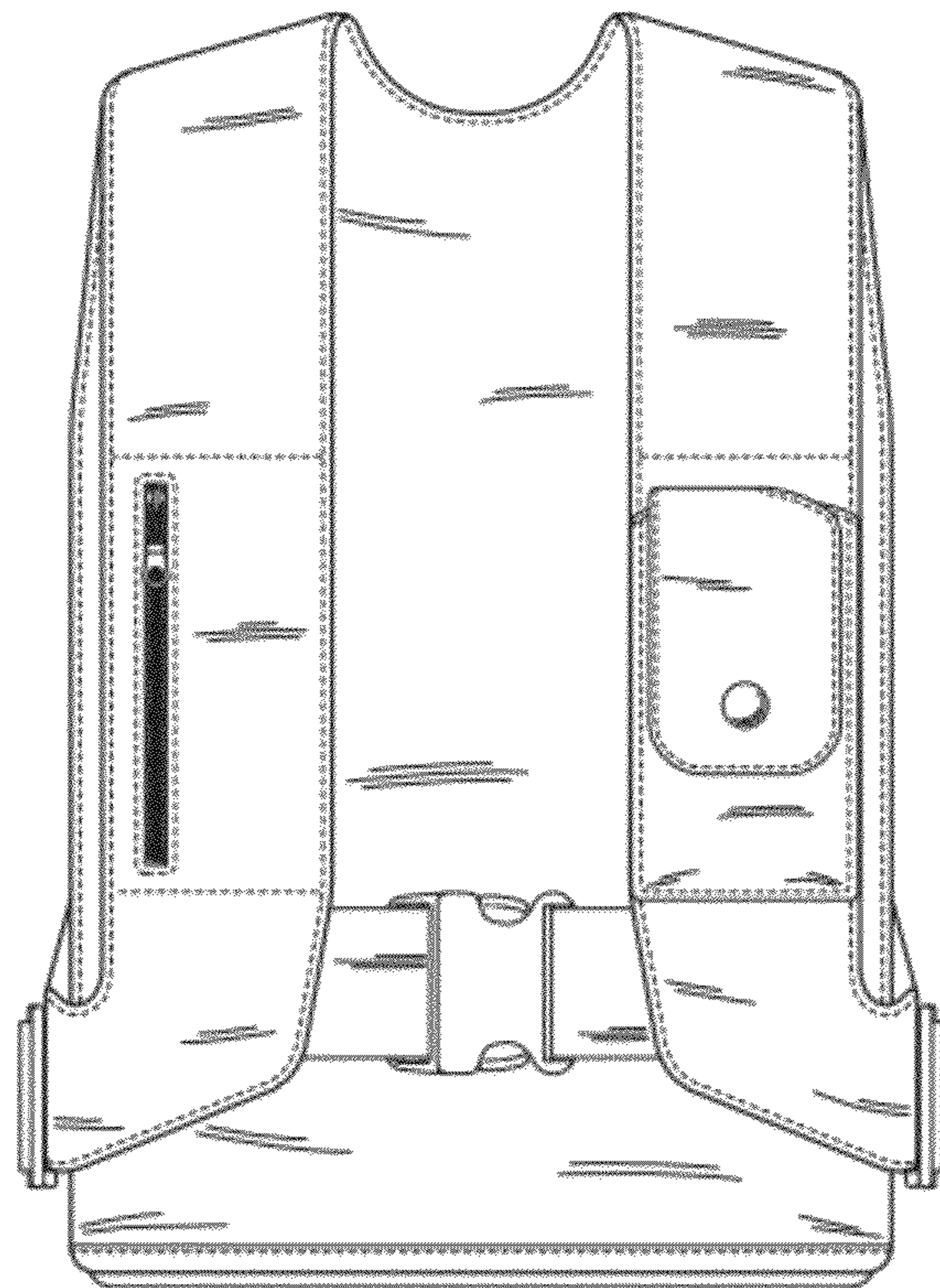


FIG. 2

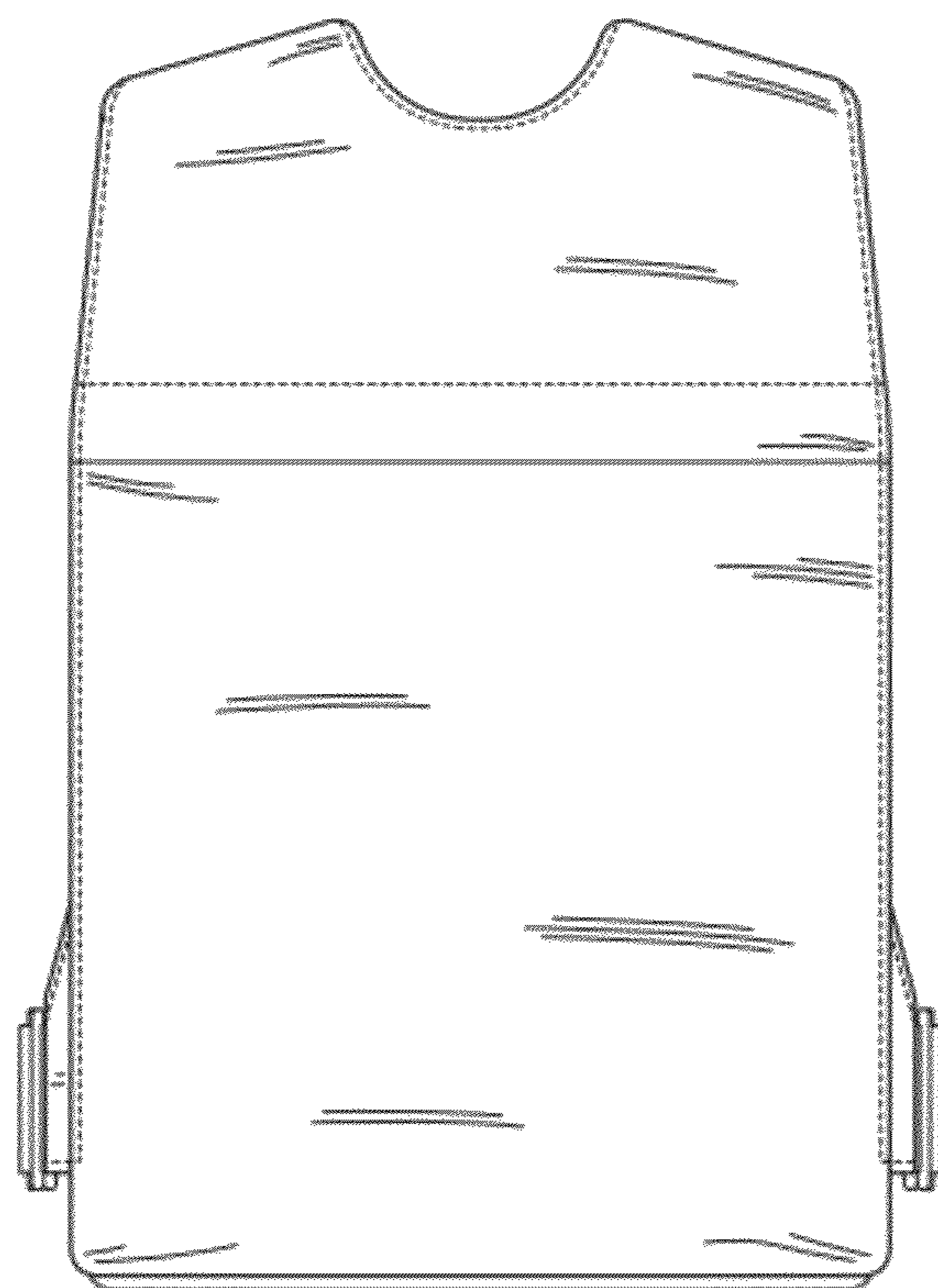


FIG. 3

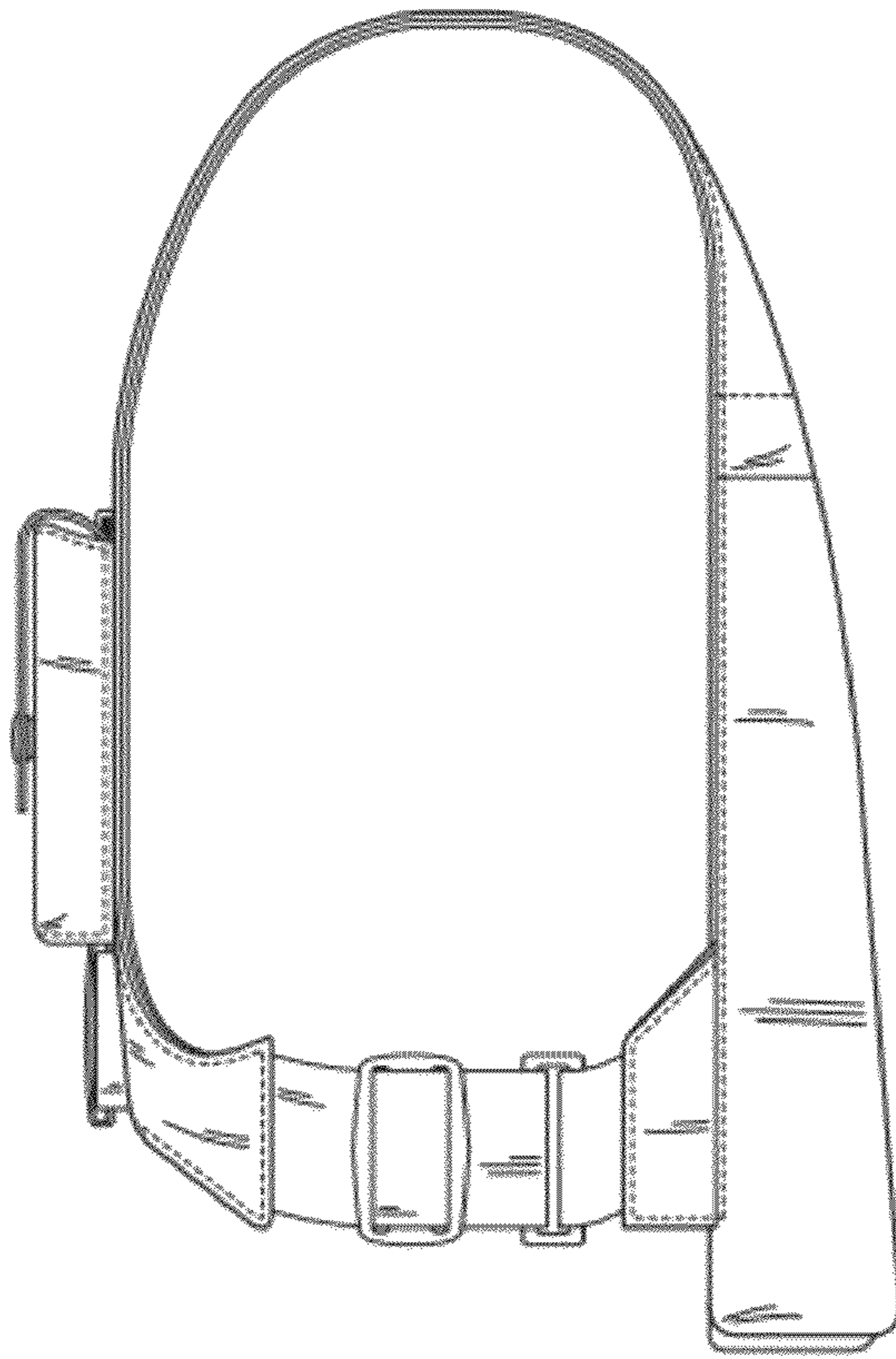


FIG. 4

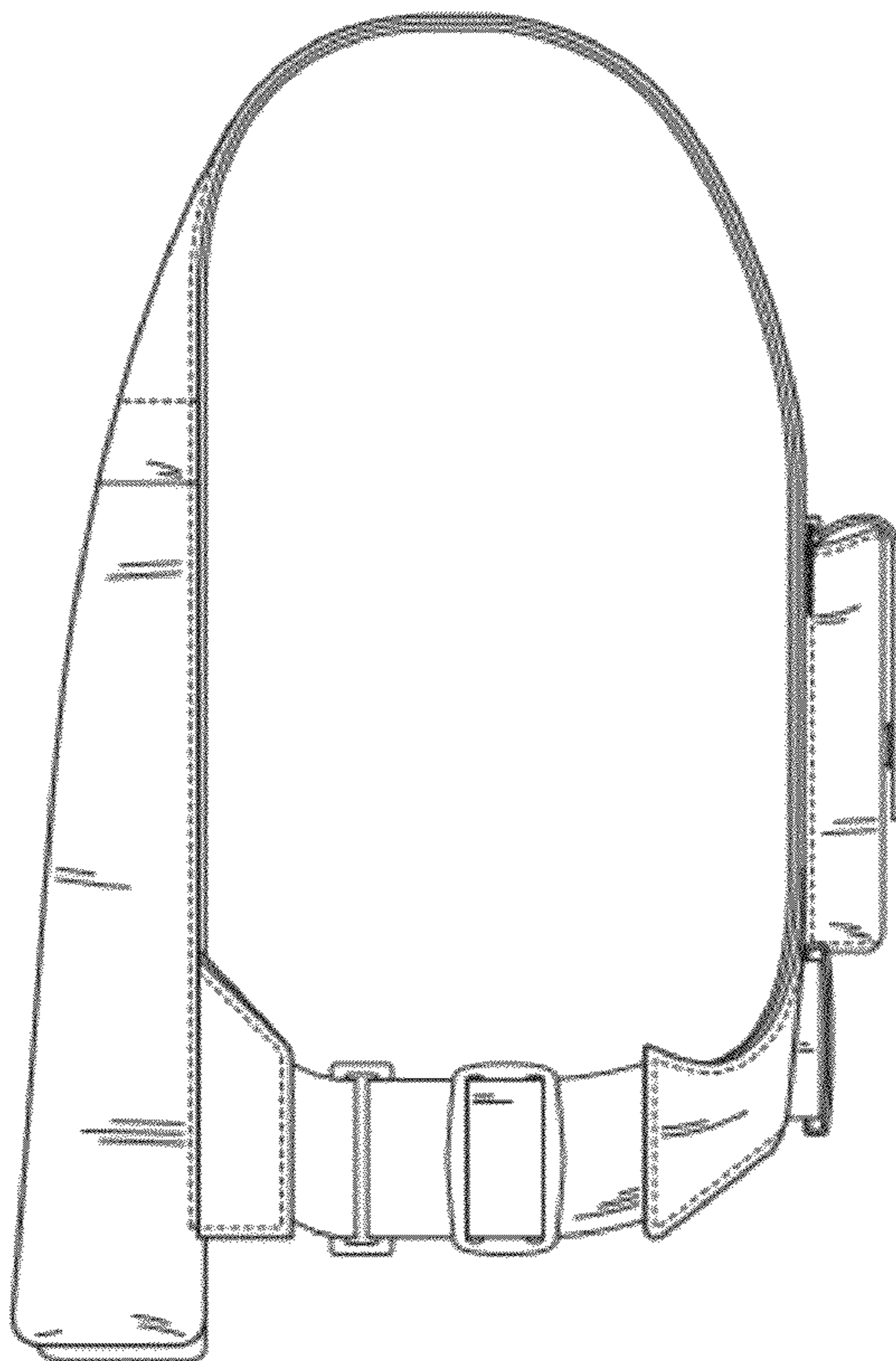


FIG. 5

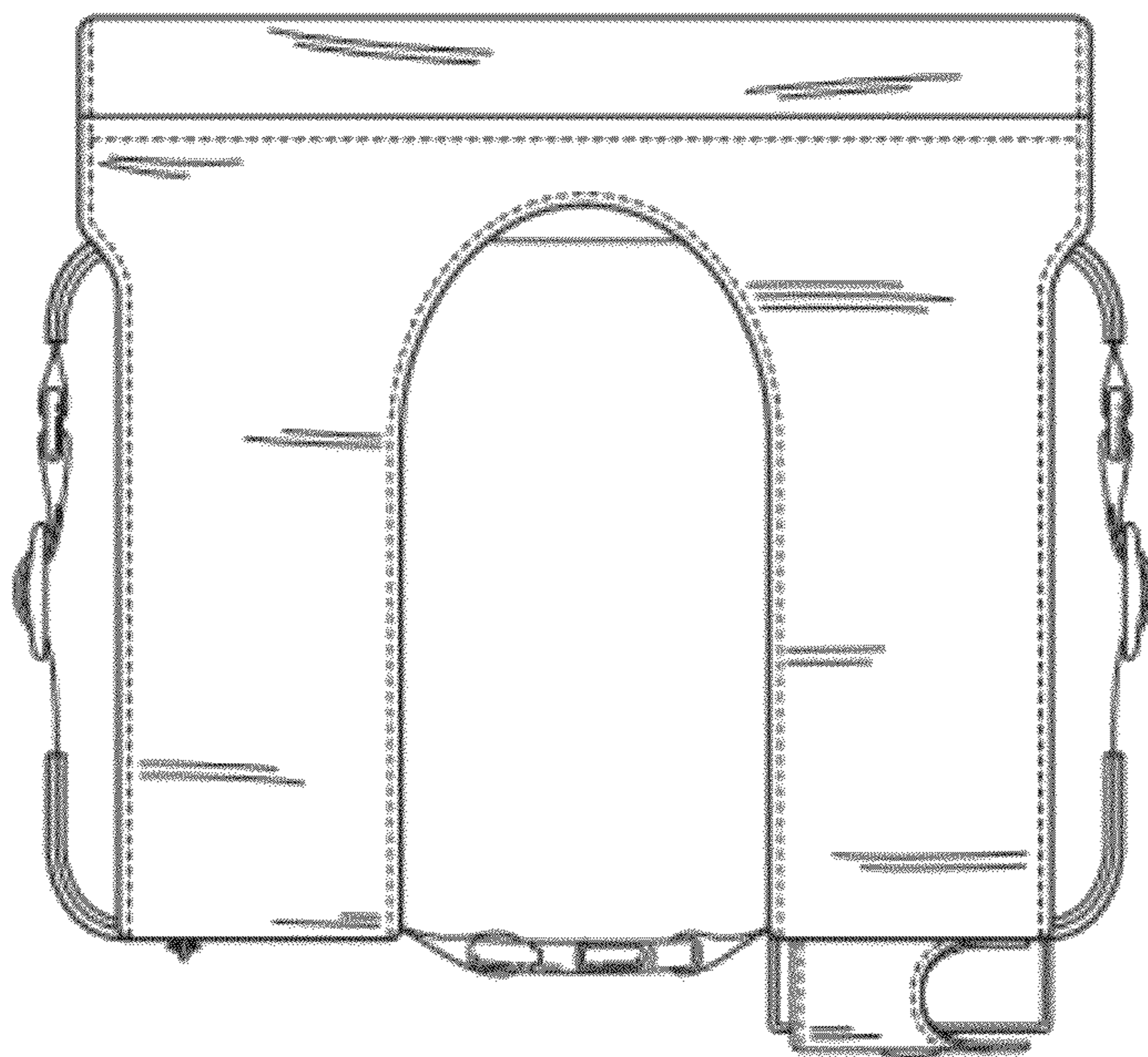


FIG. 6

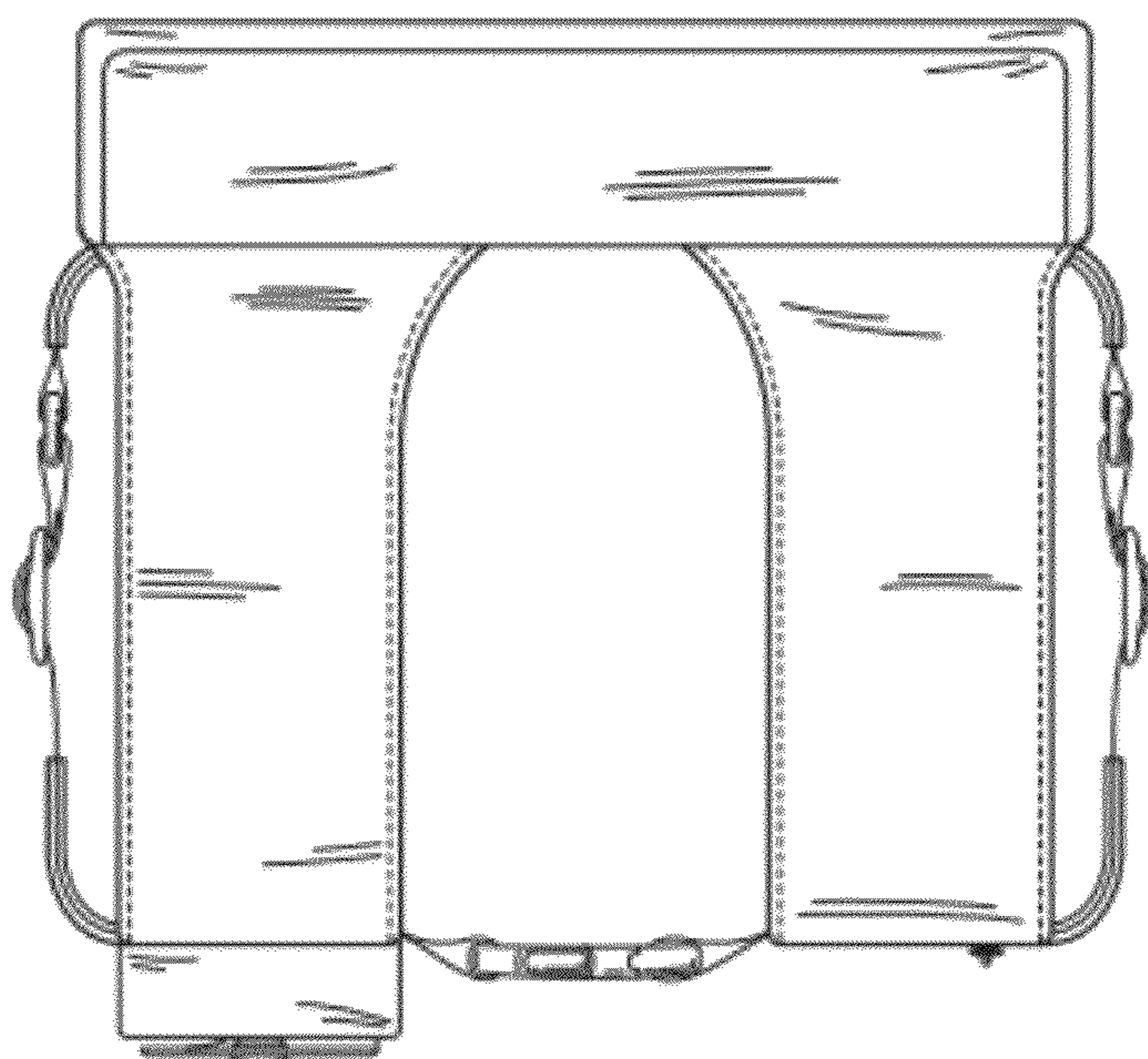


FIG. 7