



US00D672544S

(12) **United States Design Patent**
Müller et al.

(10) **Patent No.:** **US D672,544 S**

(45) **Date of Patent:** **** Dec. 18, 2012**

(54) **CLAMP FOR STICK**

(75) Inventors: **Rainer Müller**, München (DE); **Dirk Jürgens**, München (DE)

(73) Assignee: **Lekisport AG**, Baar (CH)

(**) Term: **14 Years**

(21) Appl. No.: **29/353,284**

(22) Filed: **Jan. 6, 2010**

(30) **Foreign Application Priority Data**

Jul. 6, 2009 (WO) DM/072 442

(51) **LOC (9) Cl.** **03-03**

(52) **U.S. Cl.** **D3/10; D3/16**

(58) **Field of Classification Search** D3/3-17;
D12/130, 133; 135/65-73, 76-85
See application file for complete search history.

(56) **References Cited**

U.S. PATENT DOCUMENTS

496,504 A * 5/1893 Peters 135/29
D188,534 S * 8/1960 Howard D8/307
D319,276 S * 8/1991 Keeler D21/735
D330,280 S * 10/1992 Glassman D3/7

D375,536 S * 11/1996 Kato D21/775
D450,440 S * 11/2001 Clarke et al. D3/6
D479,767 S * 9/2003 Mudd D3/7
D514,307 S * 2/2006 Gillebaard D3/14
D540,028 S * 4/2007 You D3/16

* cited by examiner

Primary Examiner — John Windmuller

(74) *Attorney, Agent, or Firm* — Sughrue Mion, PLLC

(57) **CLAIM**

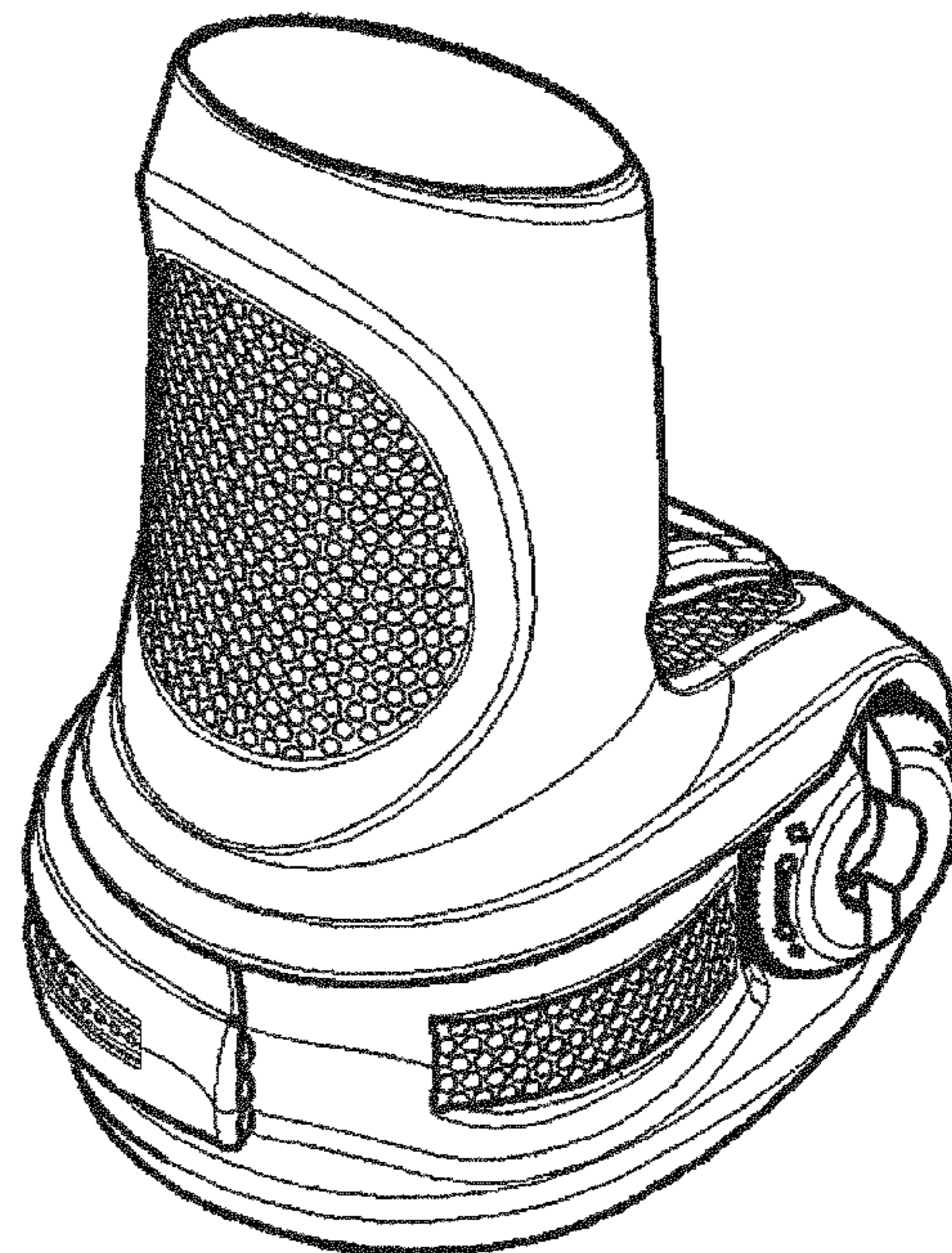
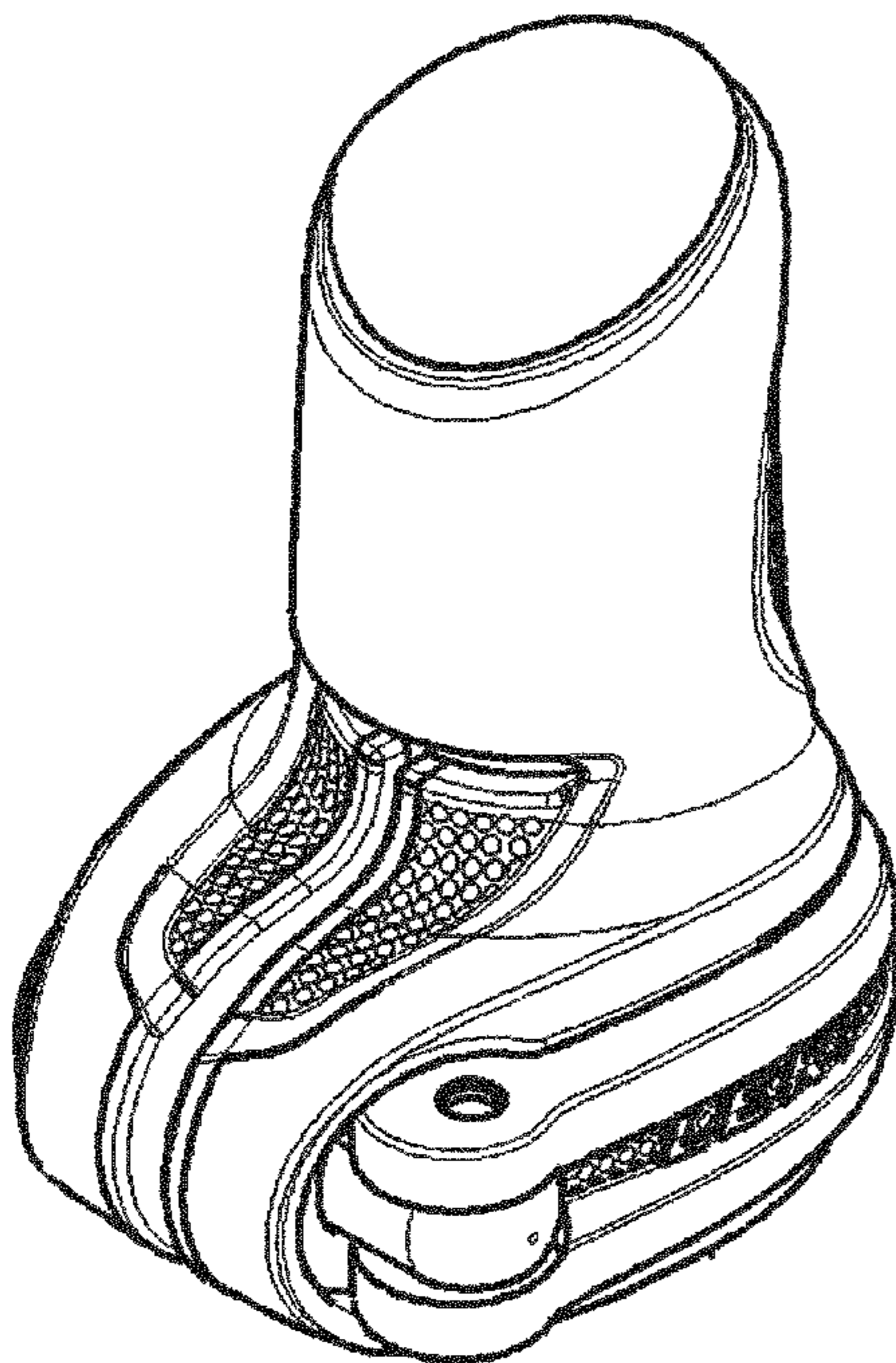
The ornamental design for a clamp for stick, as shown and described.

DESCRIPTION

FIG. 1 is front elevation view of a clamp for stick showing my new design;
FIG. 2 is right side elevation view thereof;
FIG. 3 is left side elevation view thereof;
FIG. 4 is rear elevation view thereof;
FIG. 5 is top plan view thereof;
FIG. 6 is bottom plan view thereof;
FIG. 7 is perspective view thereof; and,
FIG. 8 is perspective view.

The broken lines depict environmental subject matter only and form no part of the claimed design.

1 Claim, 4 Drawing Sheets



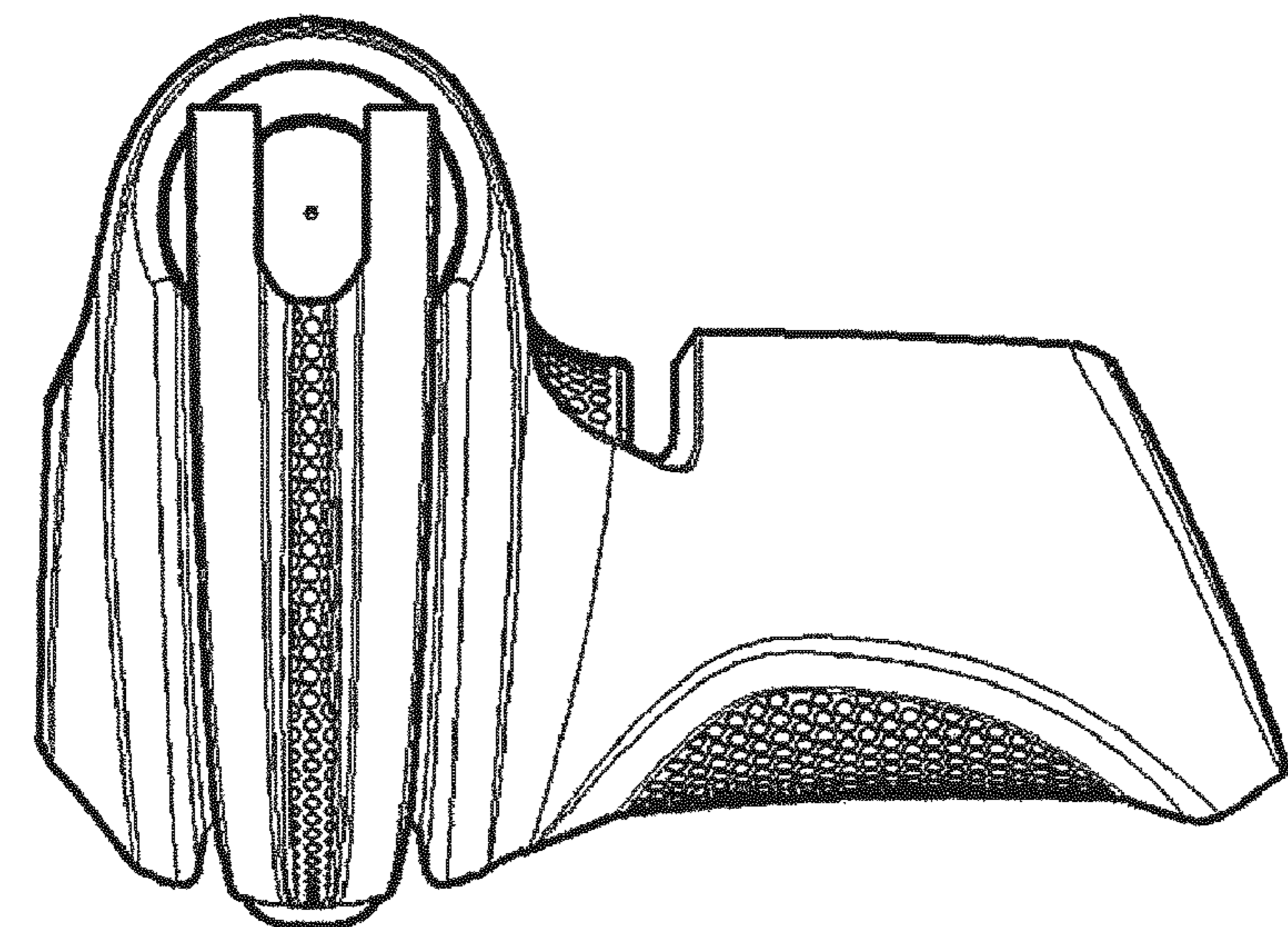


Fig. 1

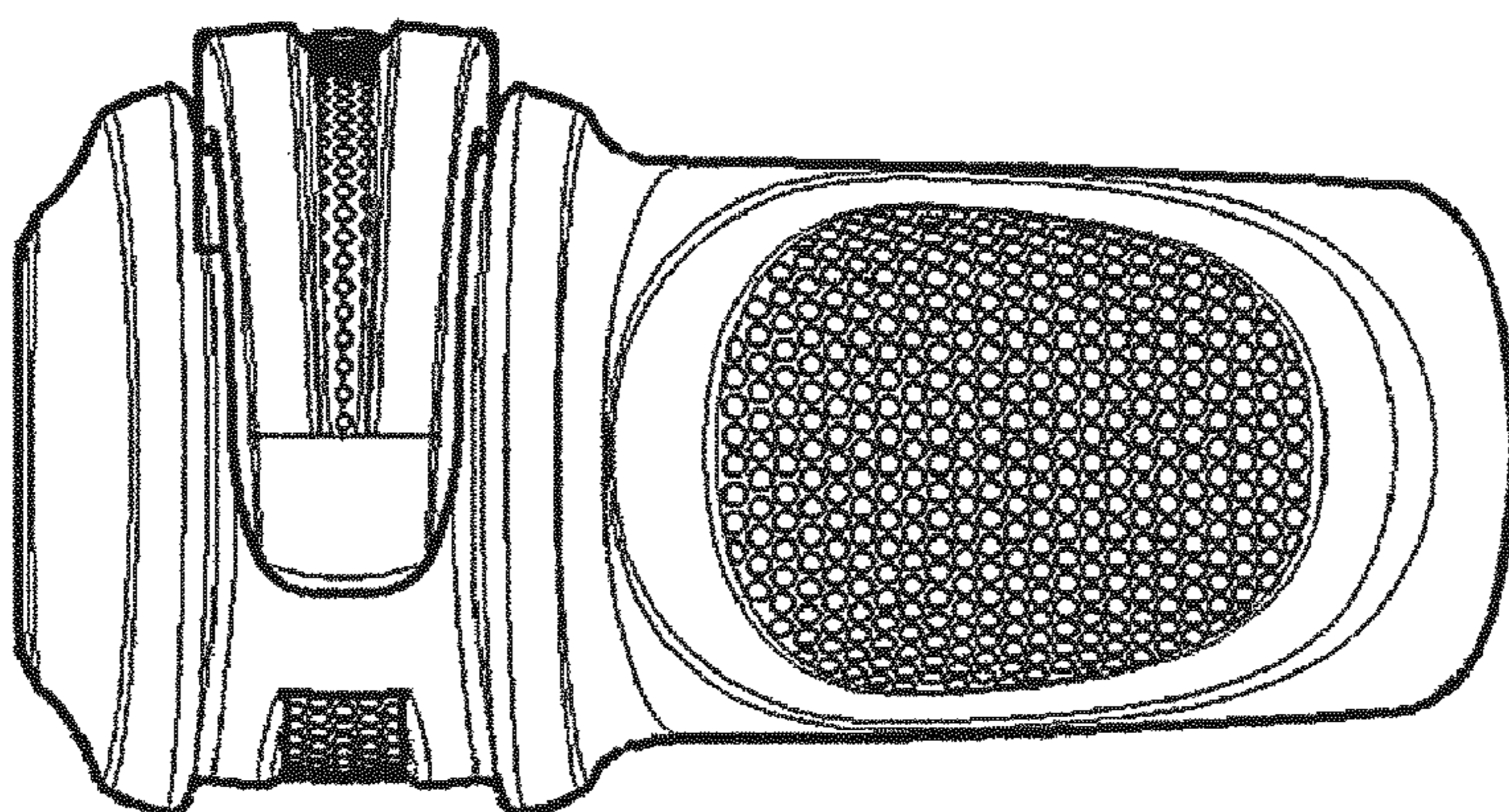


Fig. 2

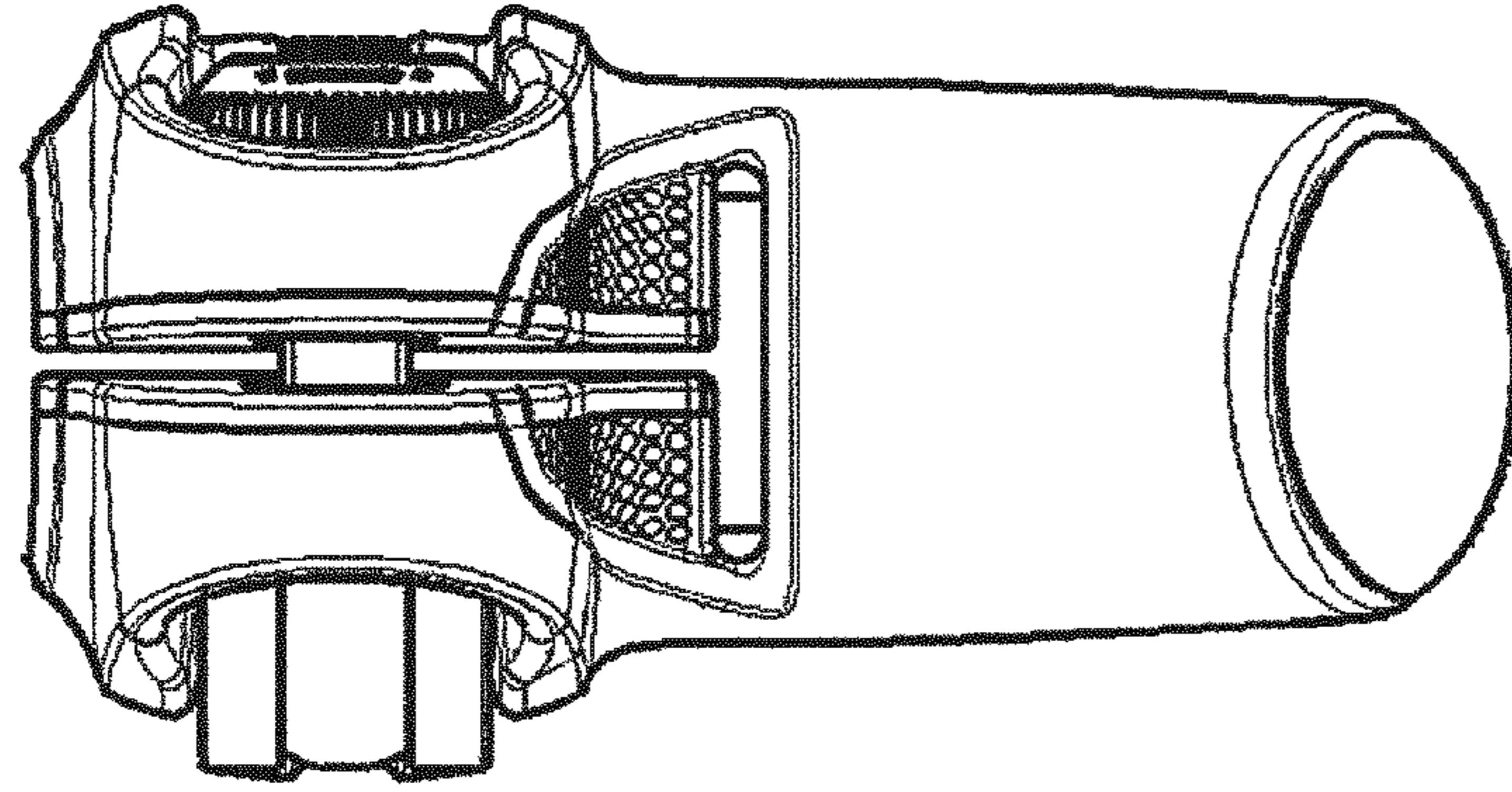


Fig. 4

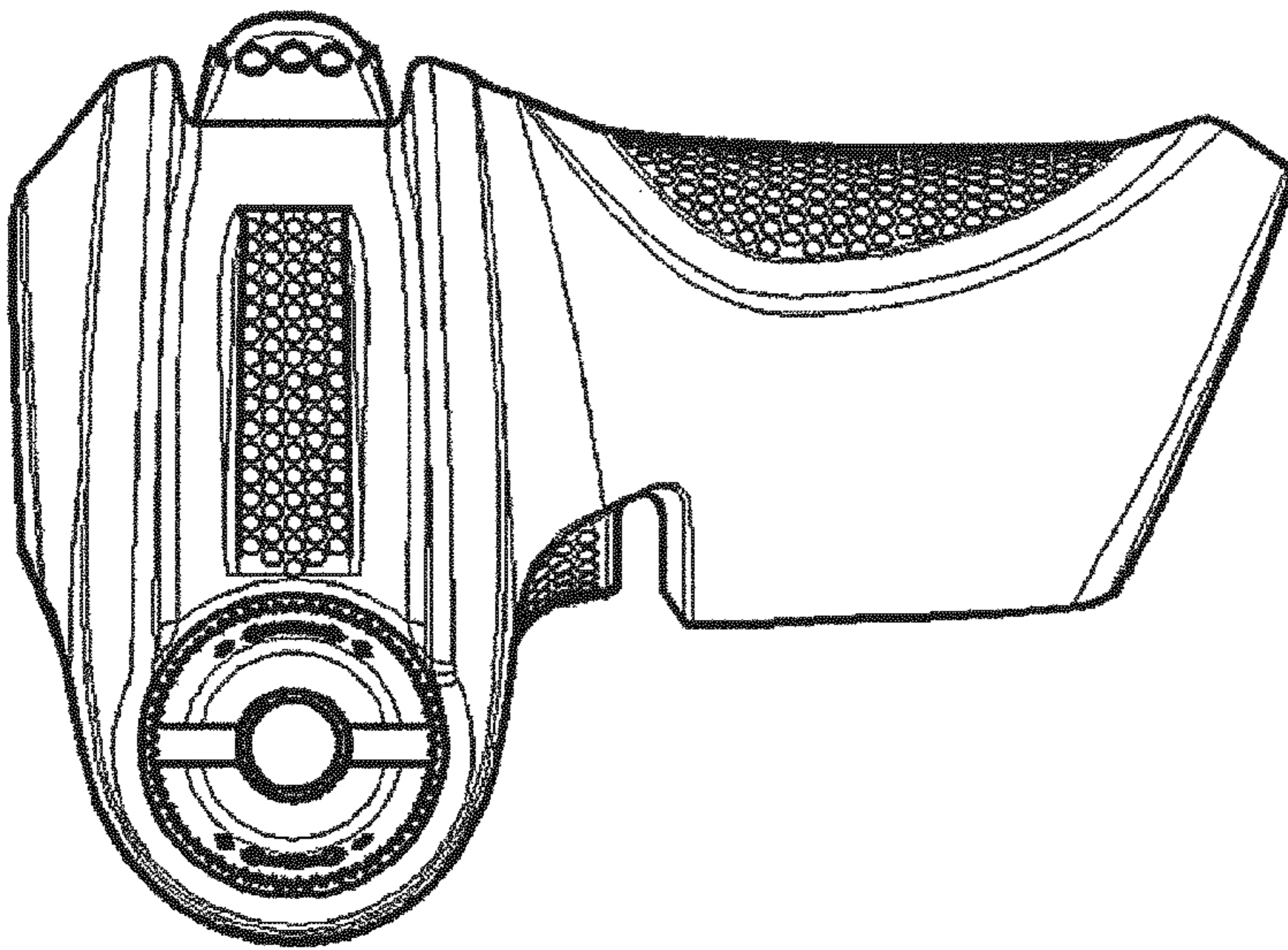


Fig. 3

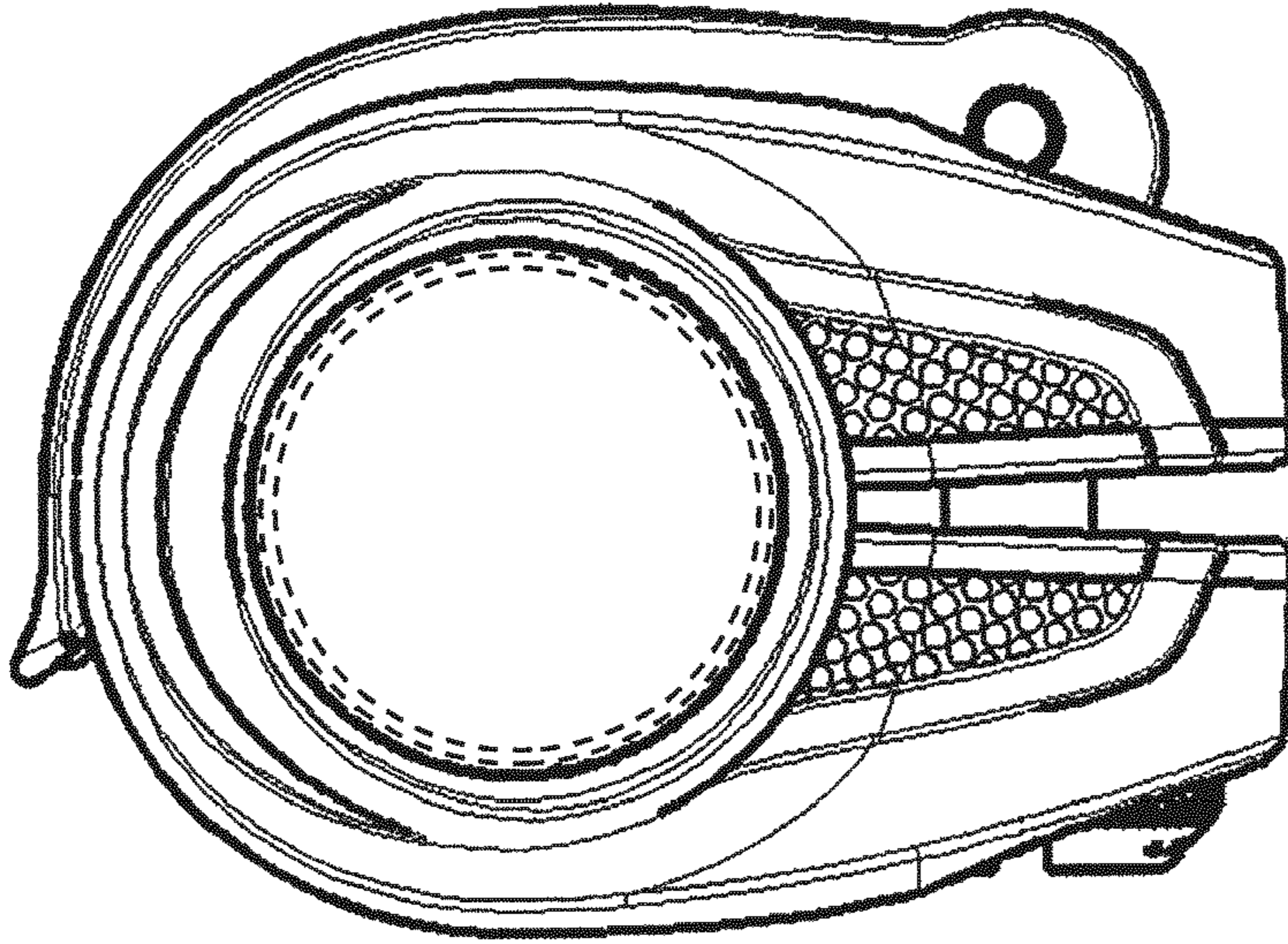


Fig. 6

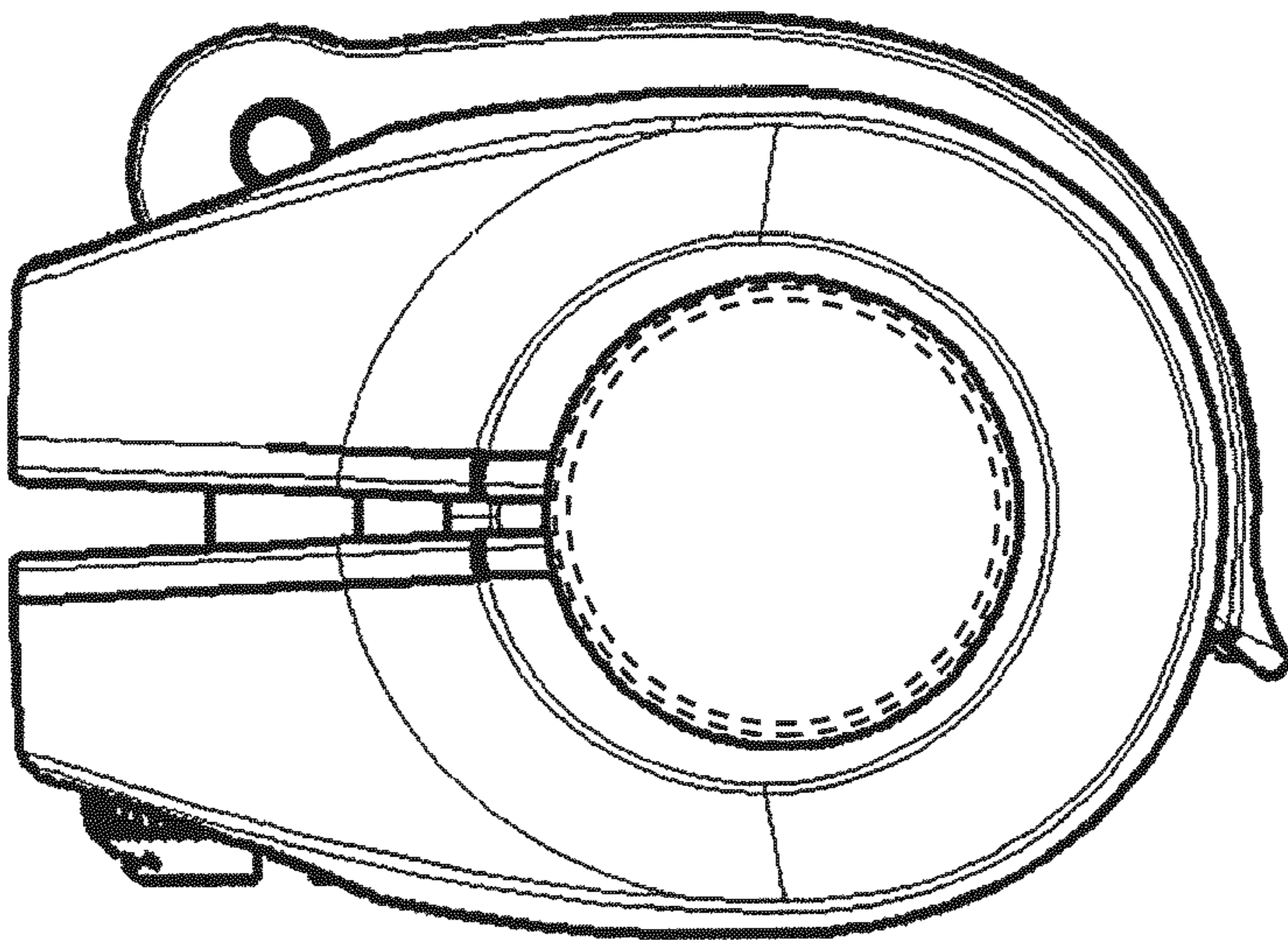


Fig. 5

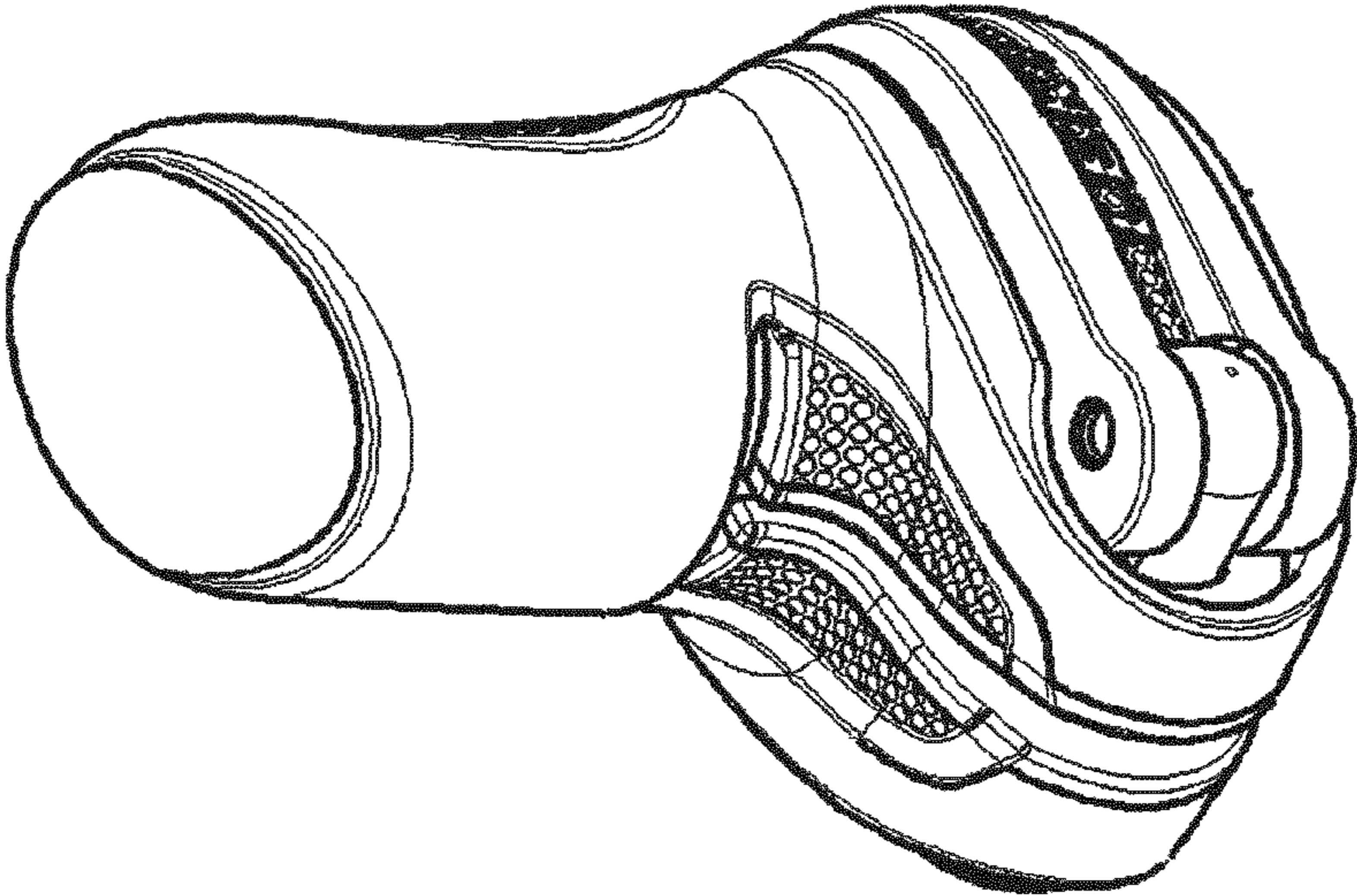


Fig. 7

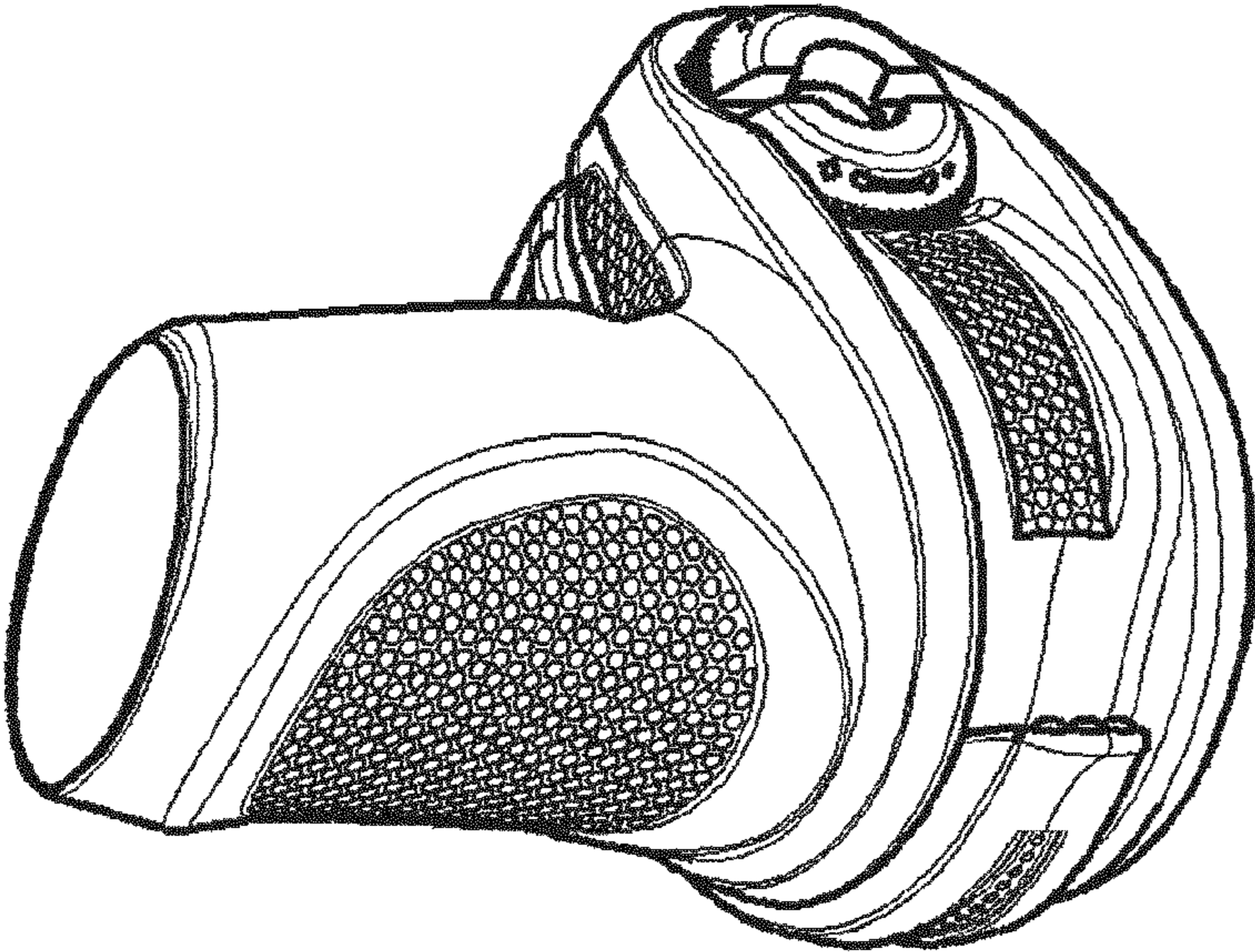


Fig. 8