



US00D672523S

(12) **United States Design Patent**
Taylor et al.

(10) **Patent No.:** **US D672,523 S**
(45) **Date of Patent:** **** Dec. 11, 2012**

(54) **SCISSOR LIFT PALLET LIFTER**
(75) Inventors: **Curtis Taylor**, Chagrin Falls, OH (US);
Aaron Misener, Chagrin Falls, OH (US)
(73) Assignee: **Lift2Sell, LLC**, Chagrin Falls, OH (US)
(**) Term: **14 Years**

5,708,992 A * 1/1998 Gobbers et al. 4/565.1
6,109,395 A * 8/2000 Storm 187/200
D452,056 S * 12/2001 Rosania D34/28
D472,690 S * 4/2003 Grover D34/28
7,188,843 B2 * 3/2007 Magness 280/30
D640,030 S * 6/2011 Fukuma et al. D34/28
D647,680 S * 10/2011 Fukuma et al. D34/28
8,052,120 B2 * 11/2011 Bacon 254/93 HP

* cited by examiner

(21) Appl. No.: **29/414,709**

Primary Examiner — Cynthia Ramirez

(22) Filed: **Mar. 2, 2012**

(74) *Attorney, Agent, or Firm* — Fay Sharpe LLP; Brian E. Turung

(51) **LOC (9) Cl.** **12-05**

(52) **U.S. Cl.** **D34/28**

(58) **Field of Classification Search** D34/31,
D34/28, 33; 254/88, 122, 124, 93 H, 93 R,
254/93 I, 93 VA

(57) **CLAIM**

The ornamental design for a scissor lift pallet lifter, as shown and described.

See application file for complete search history.

DESCRIPTION

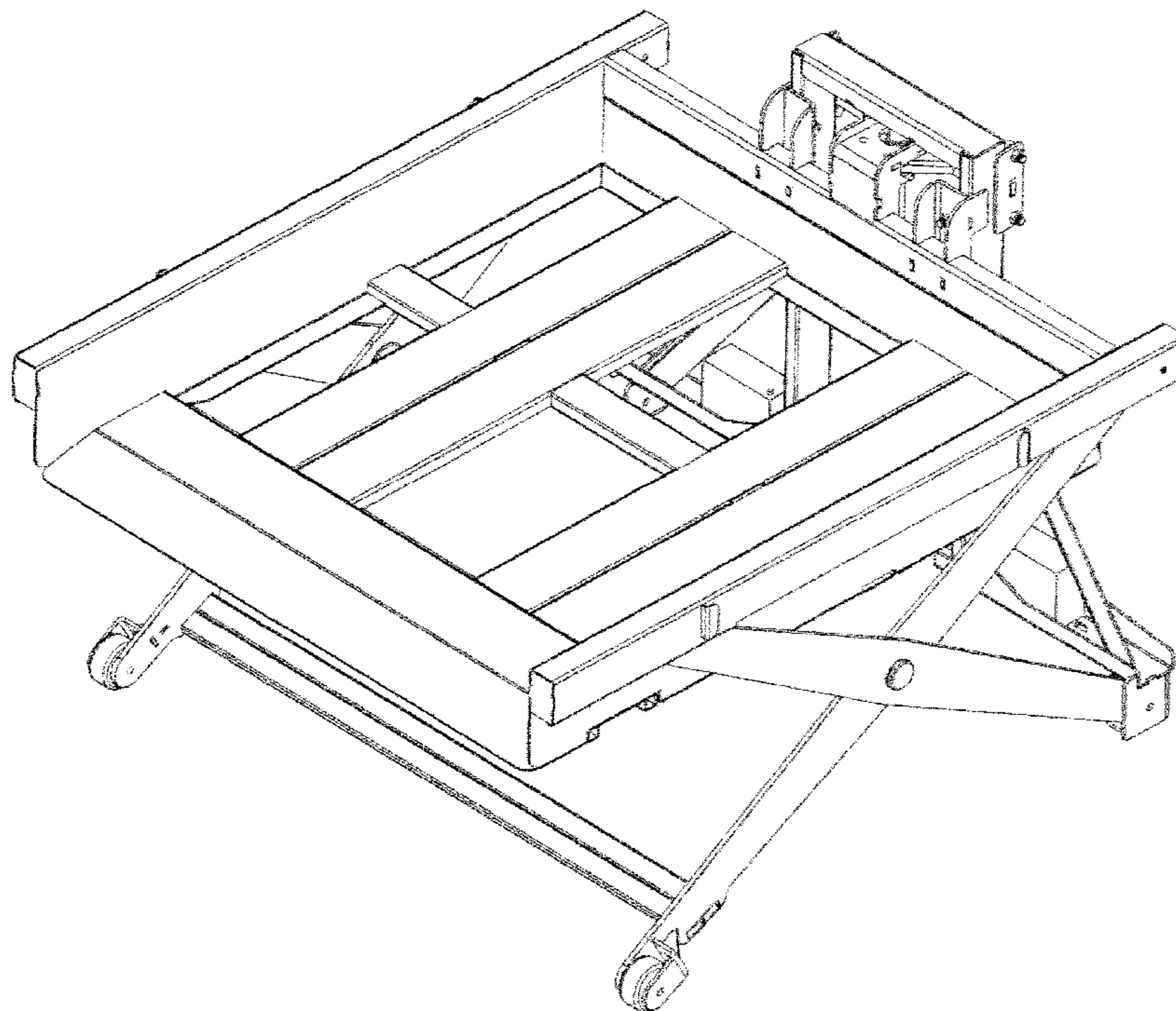
(56) **References Cited**

U.S. PATENT DOCUMENTS

3,220,585 A * 11/1965 McCartney et al. 414/659
3,237,921 A * 3/1966 Jay 254/122
3,259,369 A * 7/1966 Gridley 254/122
3,891,108 A * 6/1975 Traficant 254/45
3,993,207 A * 11/1976 Jones 414/495
4,180,252 A * 12/1979 Cushenbery 269/17
4,221,280 A * 9/1980 Richards 187/269
4,488,326 A * 12/1984 Cherry 14/72.5
D302,893 S * 8/1989 Wakefield D34/31
4,995,130 A * 2/1991 Hahn et al. 14/71.3
5,105,915 A * 4/1992 Gary 187/200
D346,680 S * 5/1994 Lee D34/31
5,460,460 A * 10/1995 Alexander 14/71.3
D375,602 S * 11/1996 Henthorn et al. D34/28

FIG. 1 is a front elevation view of a scissor lift pallet lifter in the raised position showing my new design;
FIG. 2 is a front end view of the scissor lift pallet lifter of FIG. 1 in the non-raised position;
FIG. 3 is a front end view of the scissor lift pallet lifter of FIG. 1 in the raised position;
FIG. 4 is a rear end view of the scissor lift pallet lifter of FIG. 1 in the non-raised position;
FIG. 5 is a rear end view of the scissor lift pallet lifter of FIG. 1 in the raised position;
FIG. 6 is a side view of the scissor lift pallet lifter of FIG. 1 in the non-raised position; and,
FIG. 7 is a side view of the scissor lift pallet lifter of FIG. 1 in the raised position.

1 Claim, 7 Drawing Sheets



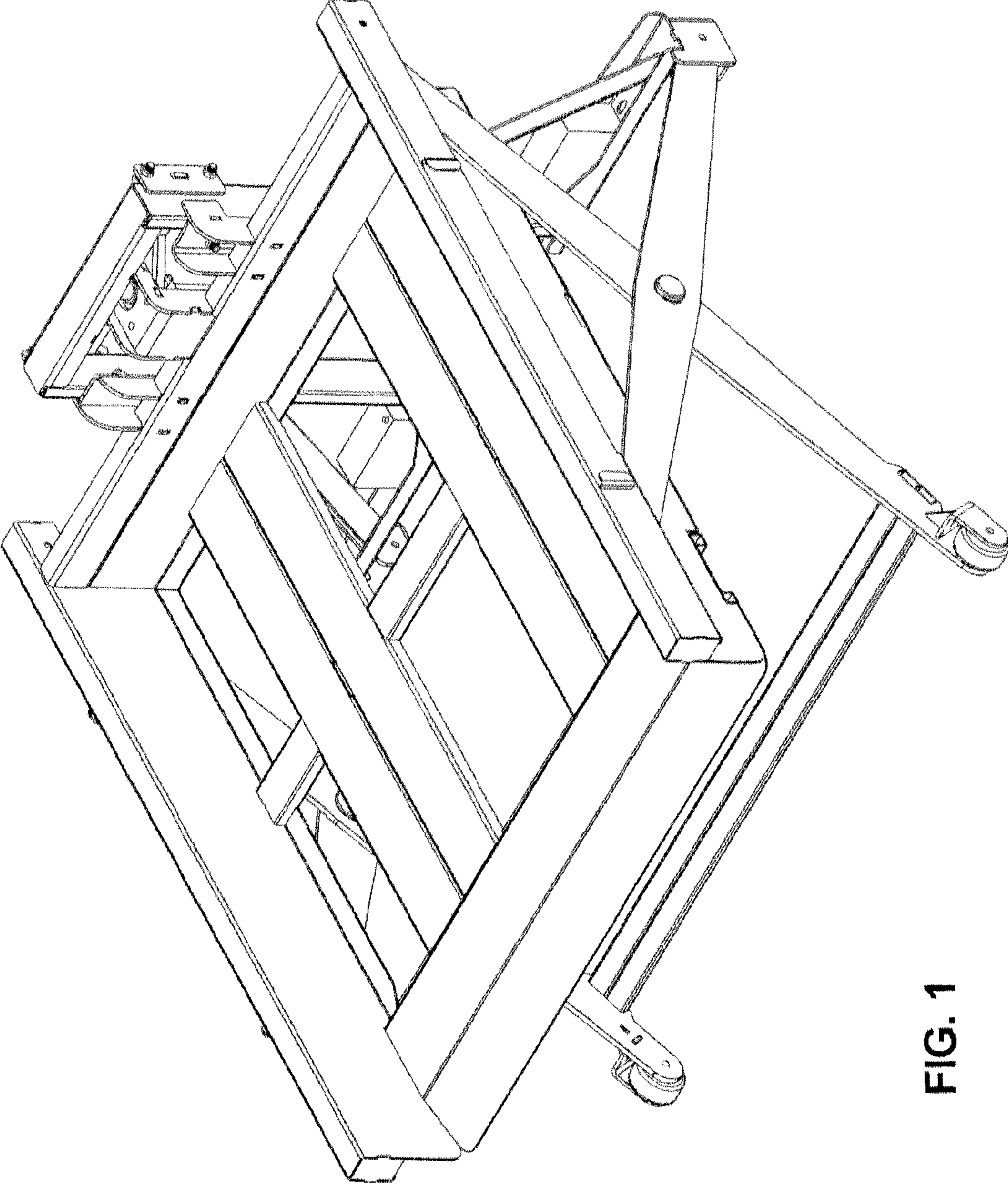


FIG. 1

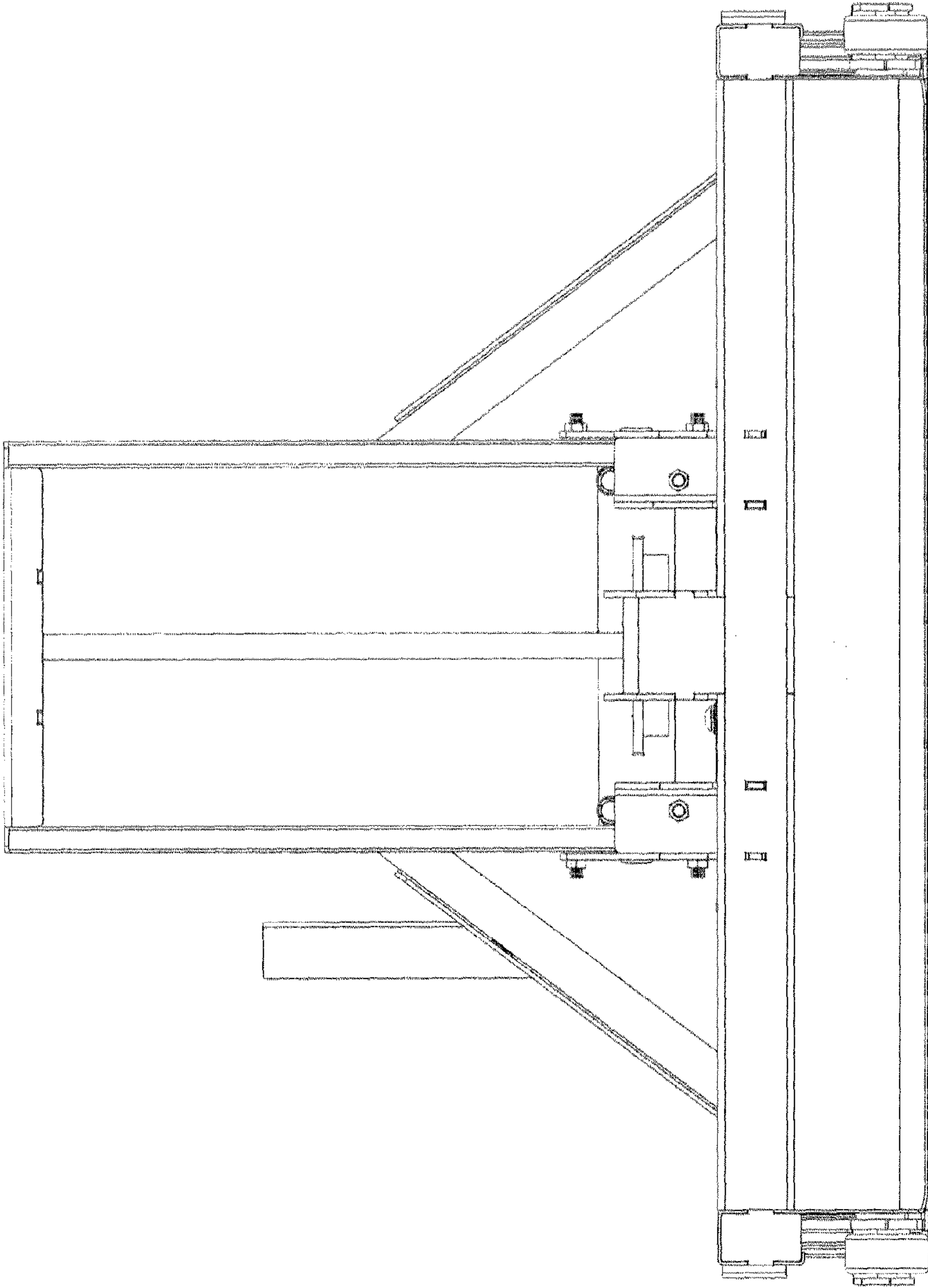


FIG. 2

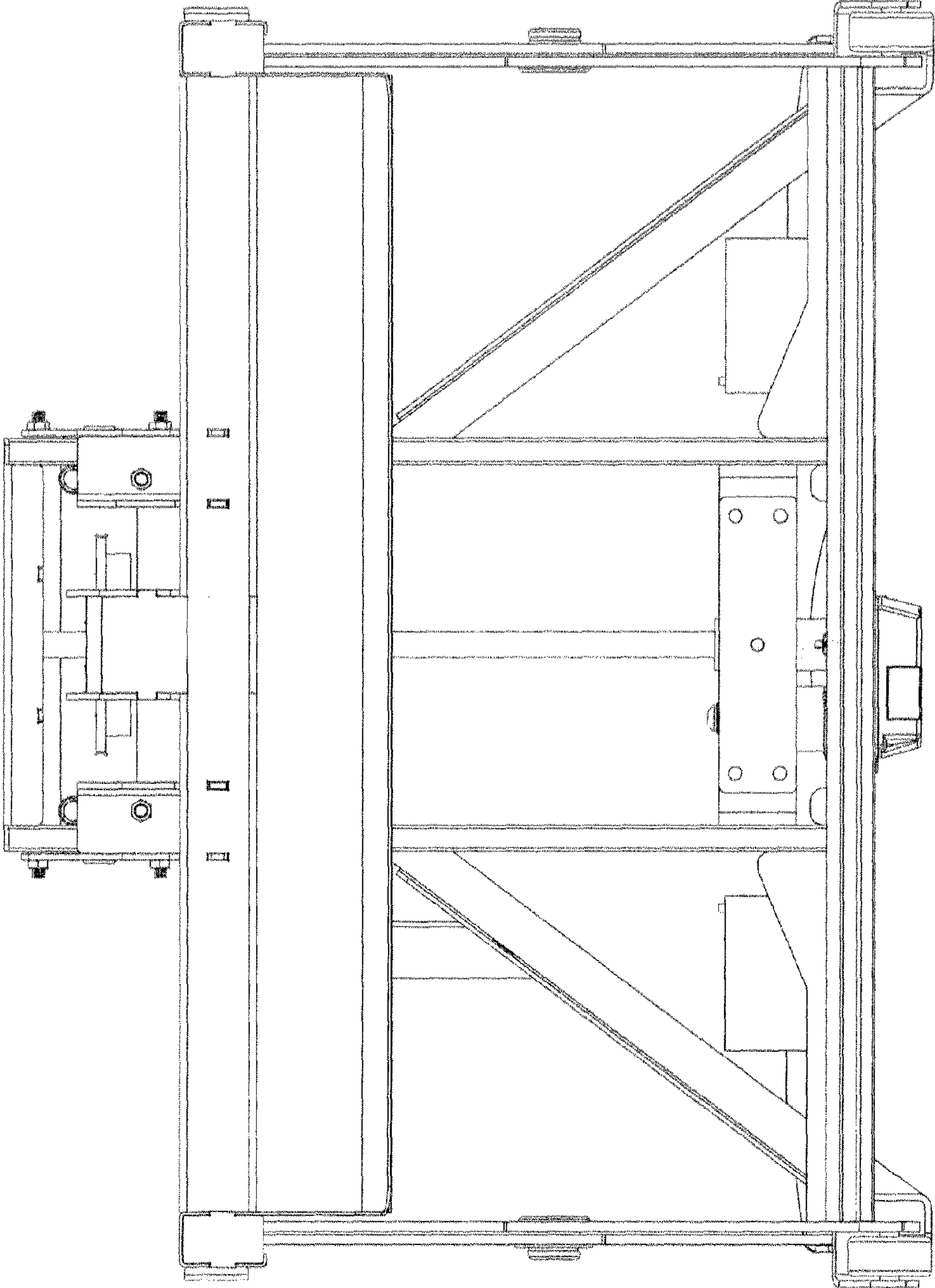


FIG. 3

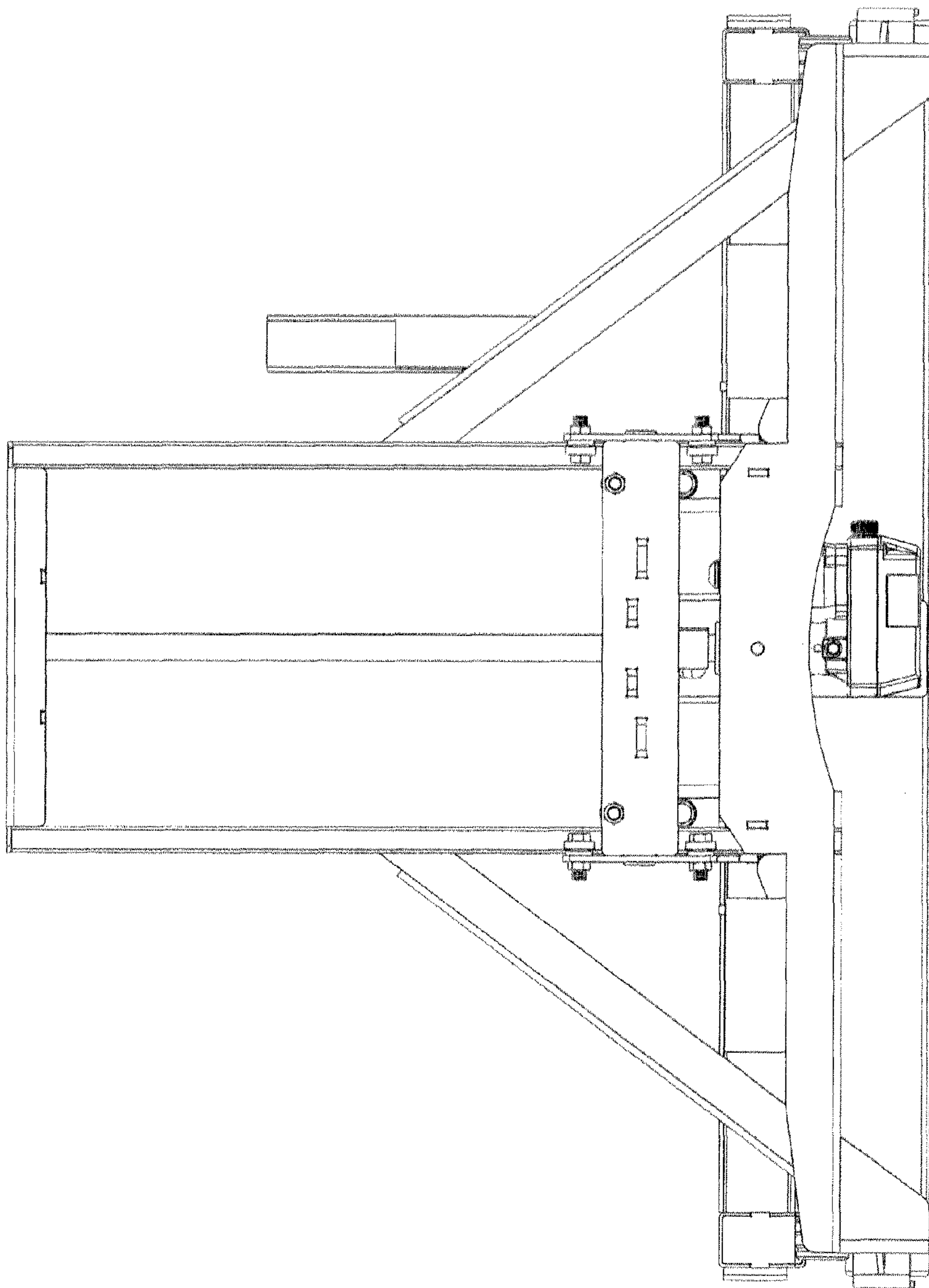


FIG. 4

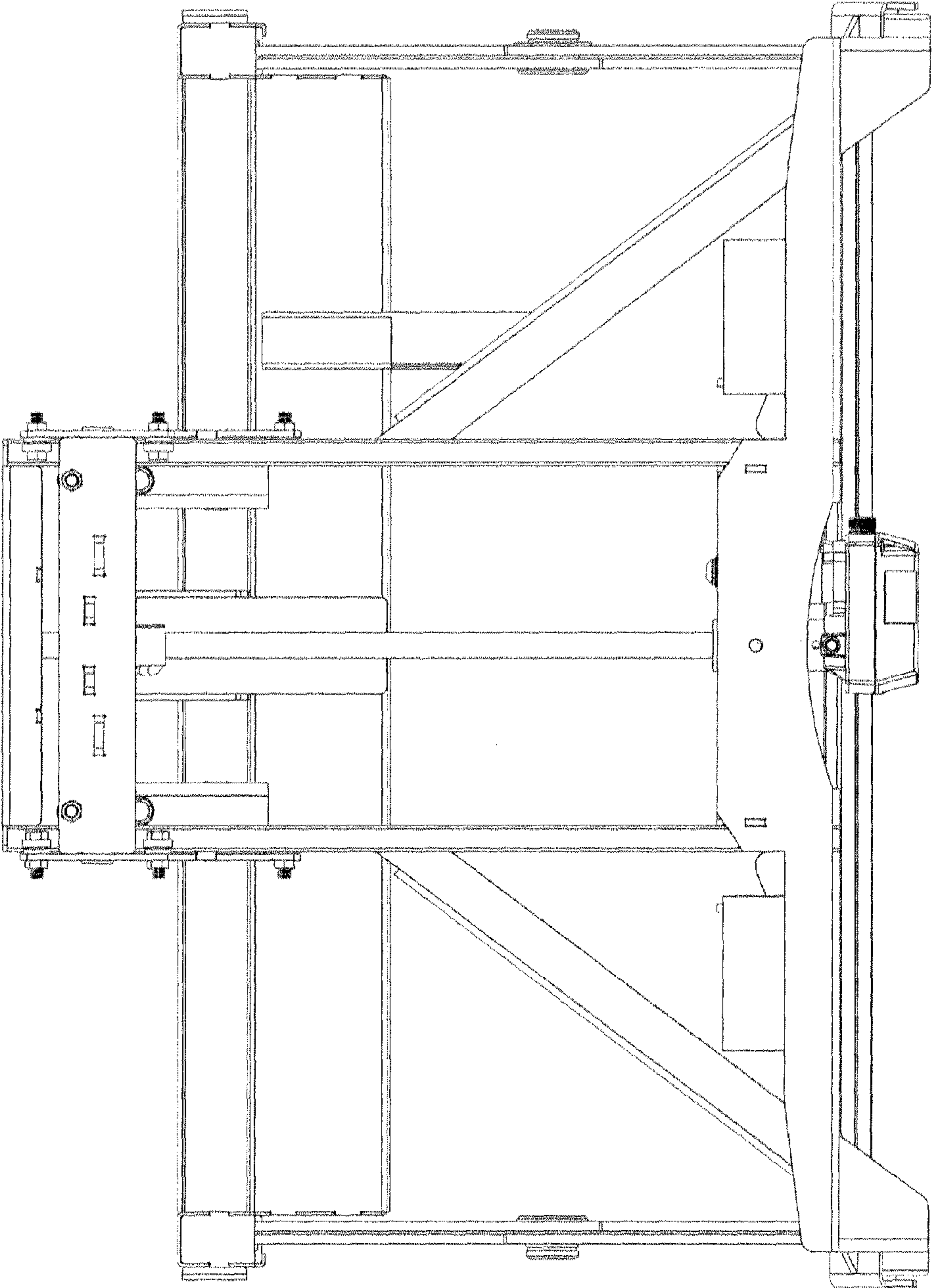


FIG. 5

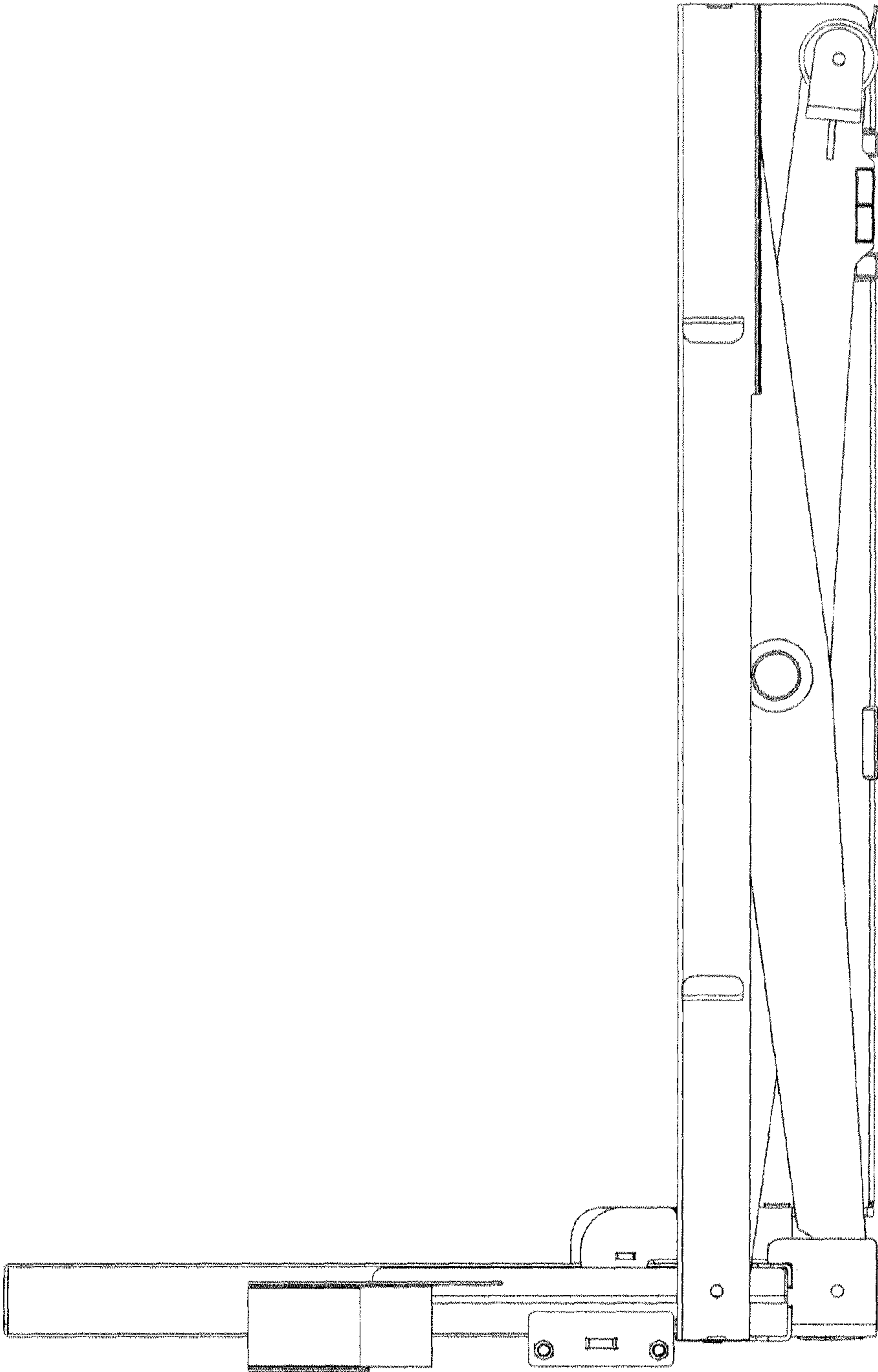


FIG. 6

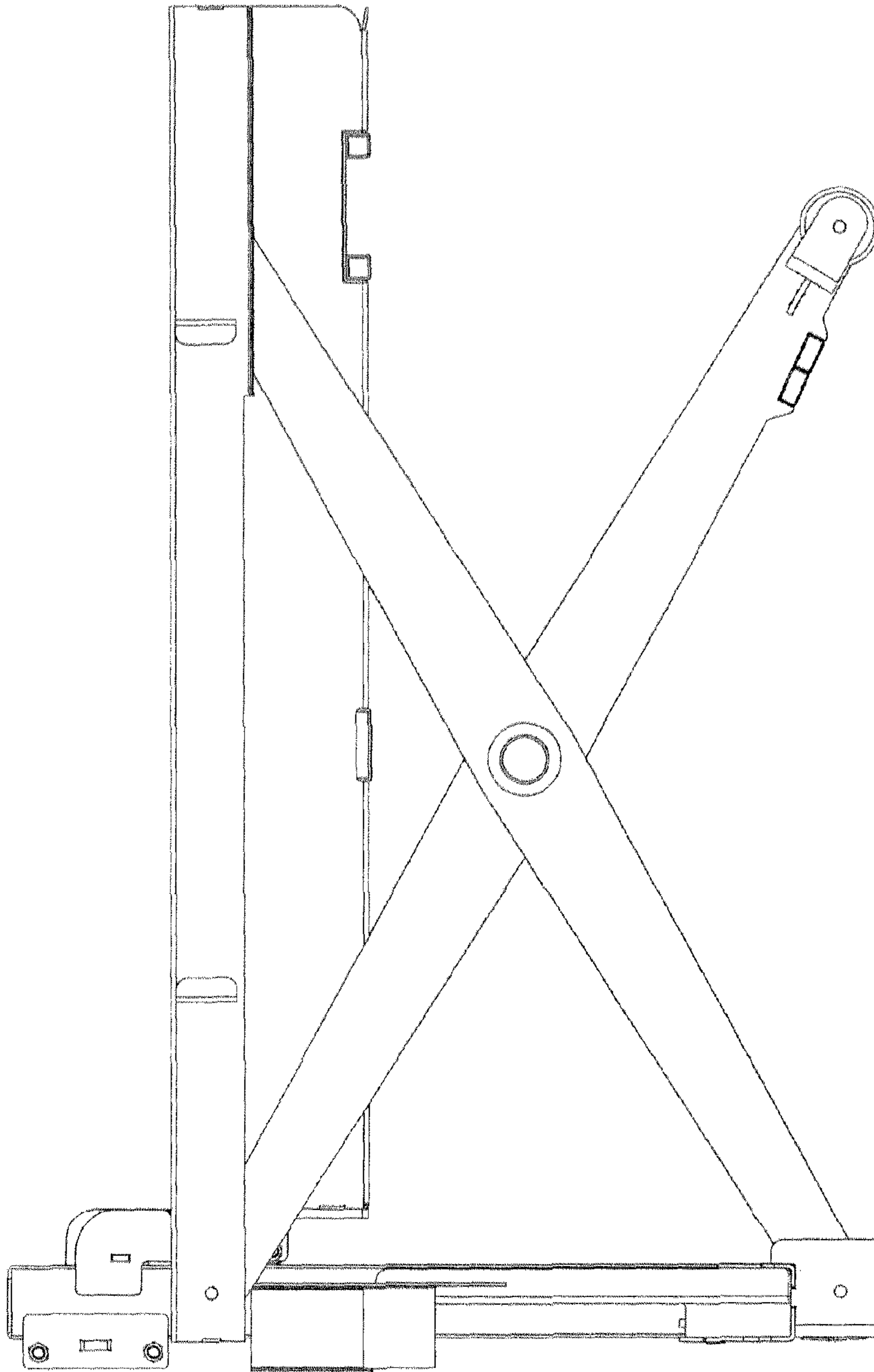


FIG. 7