



US00D672522S

(12) **United States Design Patent**  
**Taylor et al.**

(10) **Patent No.:** **US D672,522 S**

(45) **Date of Patent:** **\*\* Dec. 11, 2012**

(54) **SHOPPING CART SHELF**

(75) Inventors: **Curtis Taylor**, Chagrin Falls, OH (US);  
**Mat Hanson**, Cleveland, OH (US)

(73) Assignee: **Lift2Sell, LLC**, Chagrin Falls, OH (US)

(\*\*) Term: **14 Years**

(21) Appl. No.: **29/403,897**

(22) Filed: **Oct. 12, 2011**

(51) **LOC (9) Cl.** ..... **12-02**

(52) **U.S. Cl.** ..... **D34/27**

(58) **Field of Classification Search** ..... D34/27,

D34/12-26; 280/47.35, 33.992; D19/78;  
D12/133; D6/426, 479, 474, 566, 567

See application file for complete search history.

(56) **References Cited**

U.S. PATENT DOCUMENTS

D322,002	S	*	12/1991	Emery	.....	D6/566
D366,903	S	*	2/1996	Baggott	.....	D19/78
D451,054	S	*	11/2001	Thom et al.	.....	D3/307
6,443,481	B1	*	9/2002	Stravitz et al.	.....	280/651
D484,666	S	*	12/2003	Caya	.....	D34/27
D529,679	S	*	10/2006	Meyer et al.	.....	D34/27
D536,502	S	*	2/2007	Weigand et al.	.....	D34/27

D536,503	S	*	2/2007	Weigand et al.	.....	D34/27
D637,374	S	*	5/2011	Giannetti et al.	.....	D34/27
2006/0186621	A1	*	8/2006	Buckley	.....	280/33.992
2008/0217342	A1	*	9/2008	Cinque	.....	220/592.2

\* cited by examiner

*Primary Examiner* — Cynthia Ramirez

(74) *Attorney, Agent, or Firm* — Fay Sharpe LLP; Brian R. Turung

(57) **CLAIM**

The ornamental design for a shopping cart shelf, as shown and described.

**DESCRIPTION**

FIG. 1 is a front perspective view for a shopping cart shelf showing my new design;

FIG. 2 is a rear perspective view thereof;

FIG. 3 is a side view thereof, with the other side being a mirror image;

FIG. 4 is a top, rear perspective view thereof;

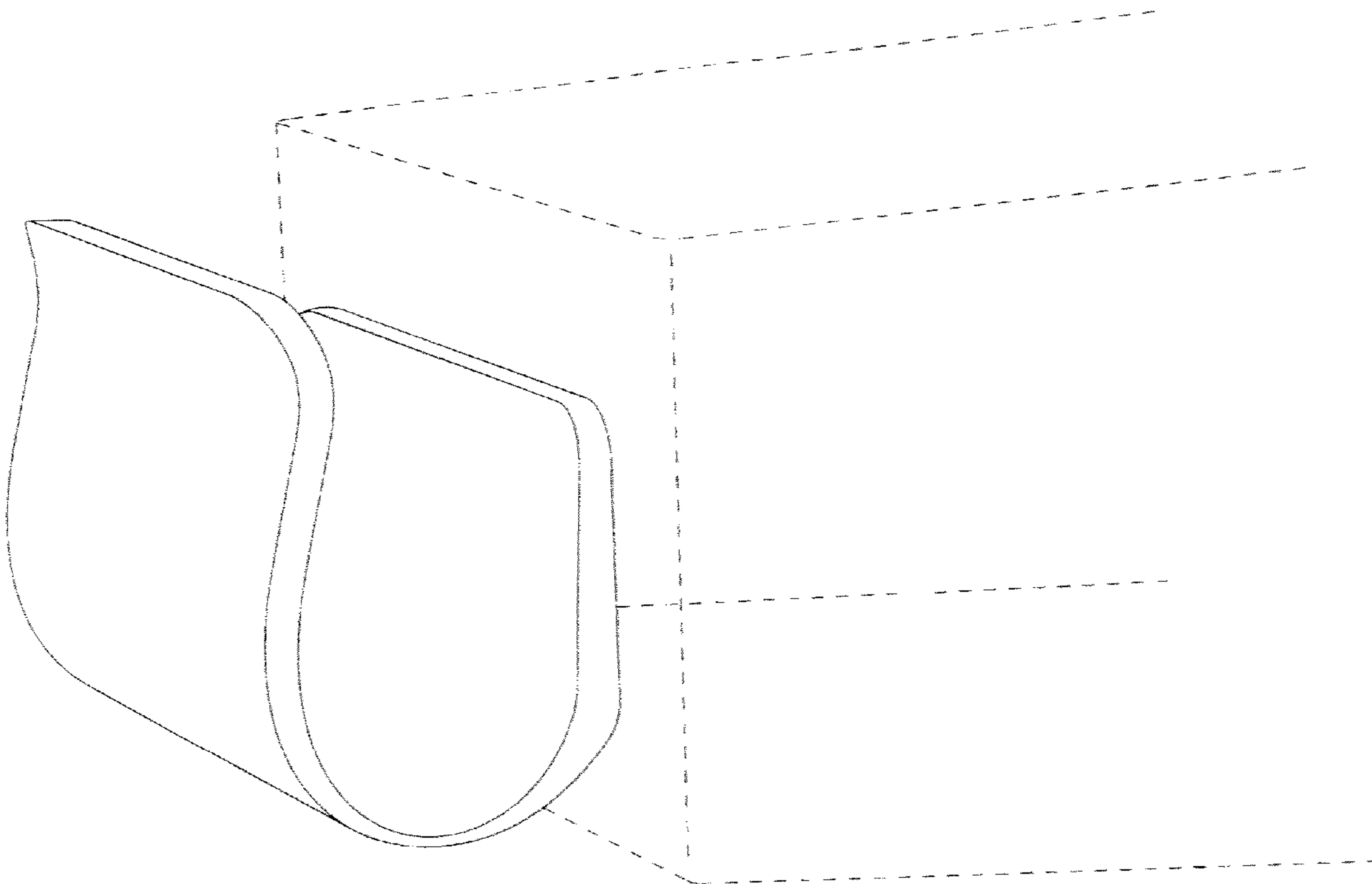
FIG. 5 is a top, side perspective view thereof;

FIG. 6 is a front view thereof; and,

FIG. 7 is a top plan view thereof.

In the drawings, the broken lines depict environmental subject matter only and form no part of the claimed design.

**1 Claim, 7 Drawing Sheets**



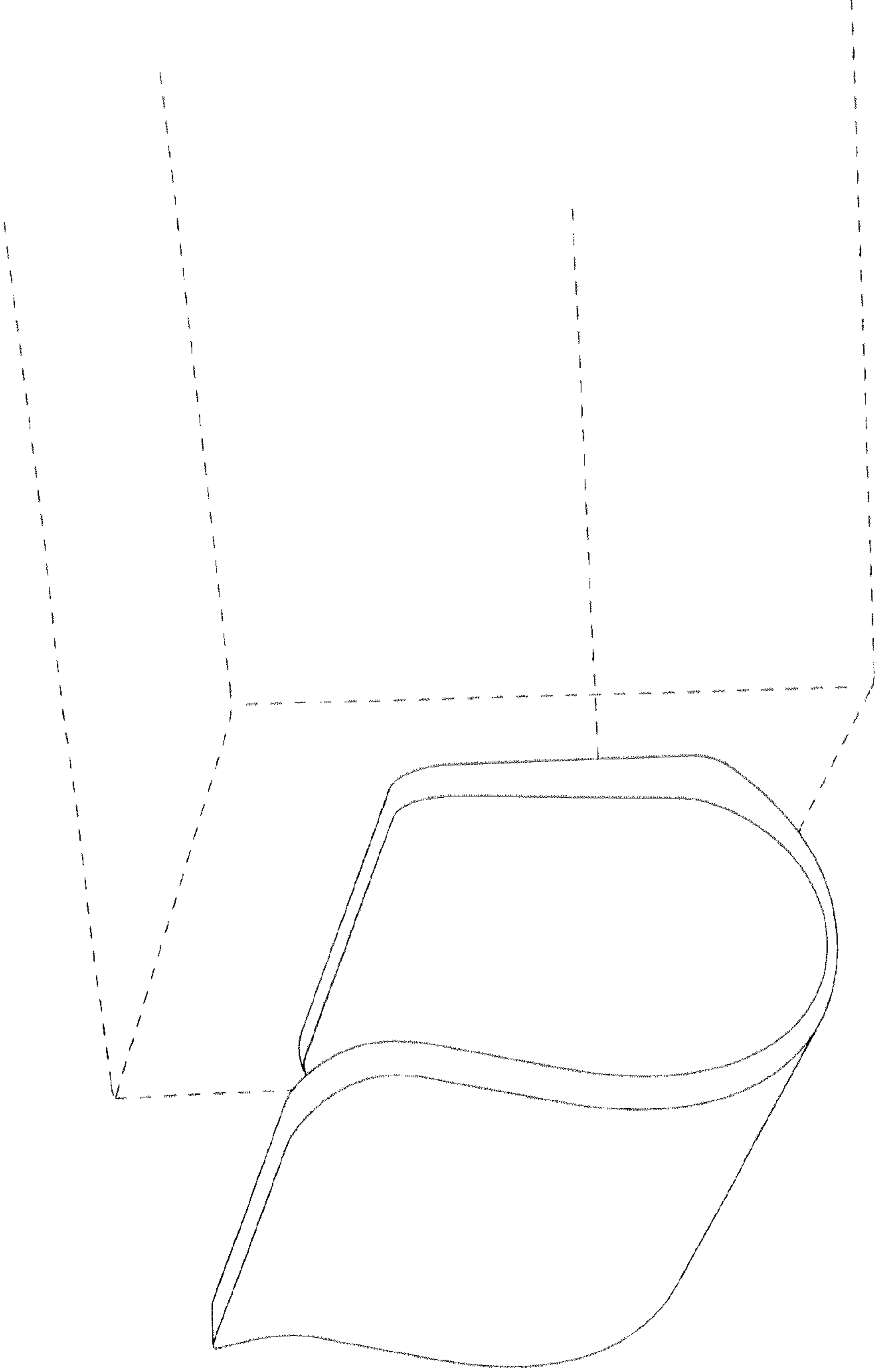


FIG. 1

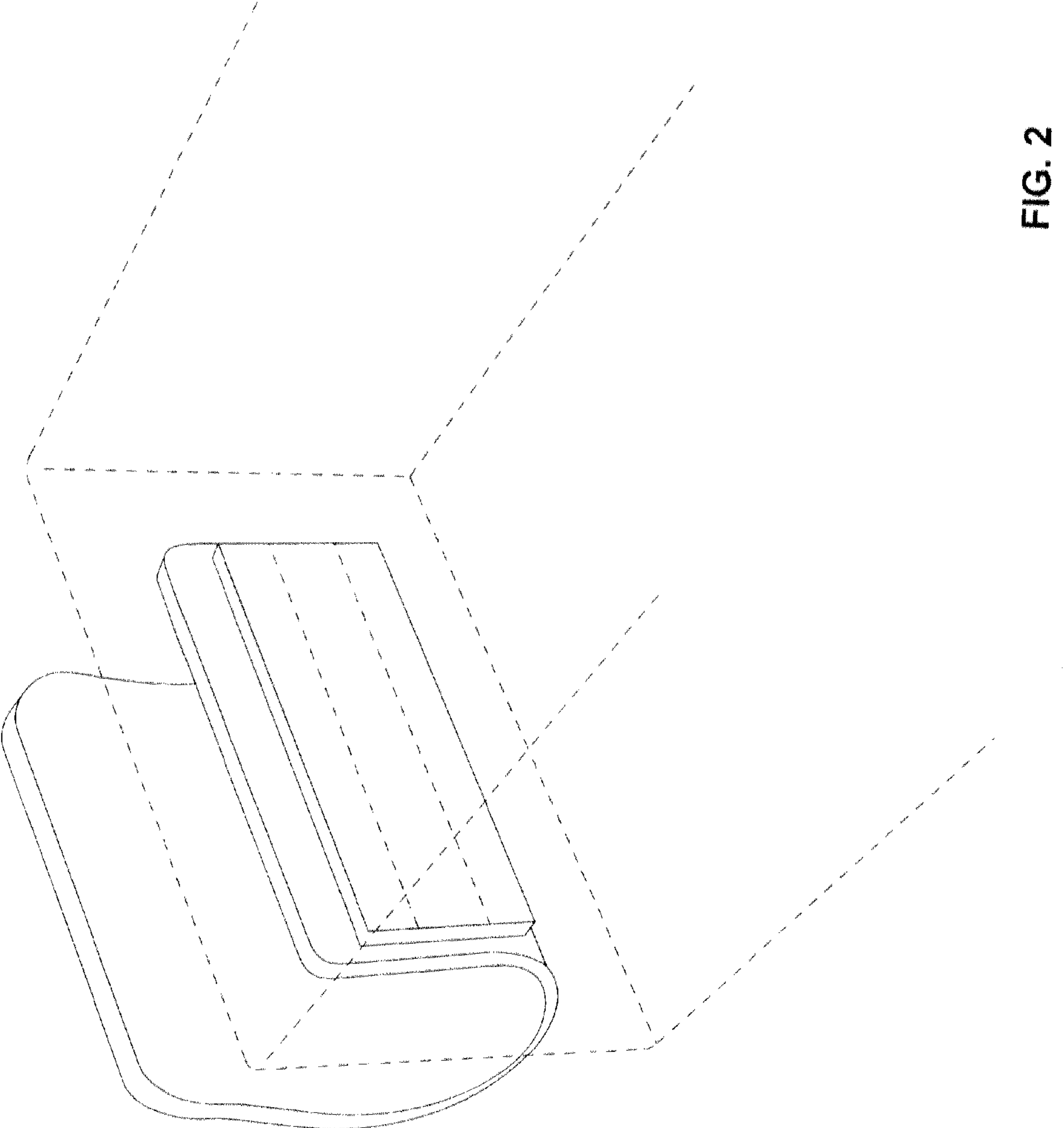


FIG. 2

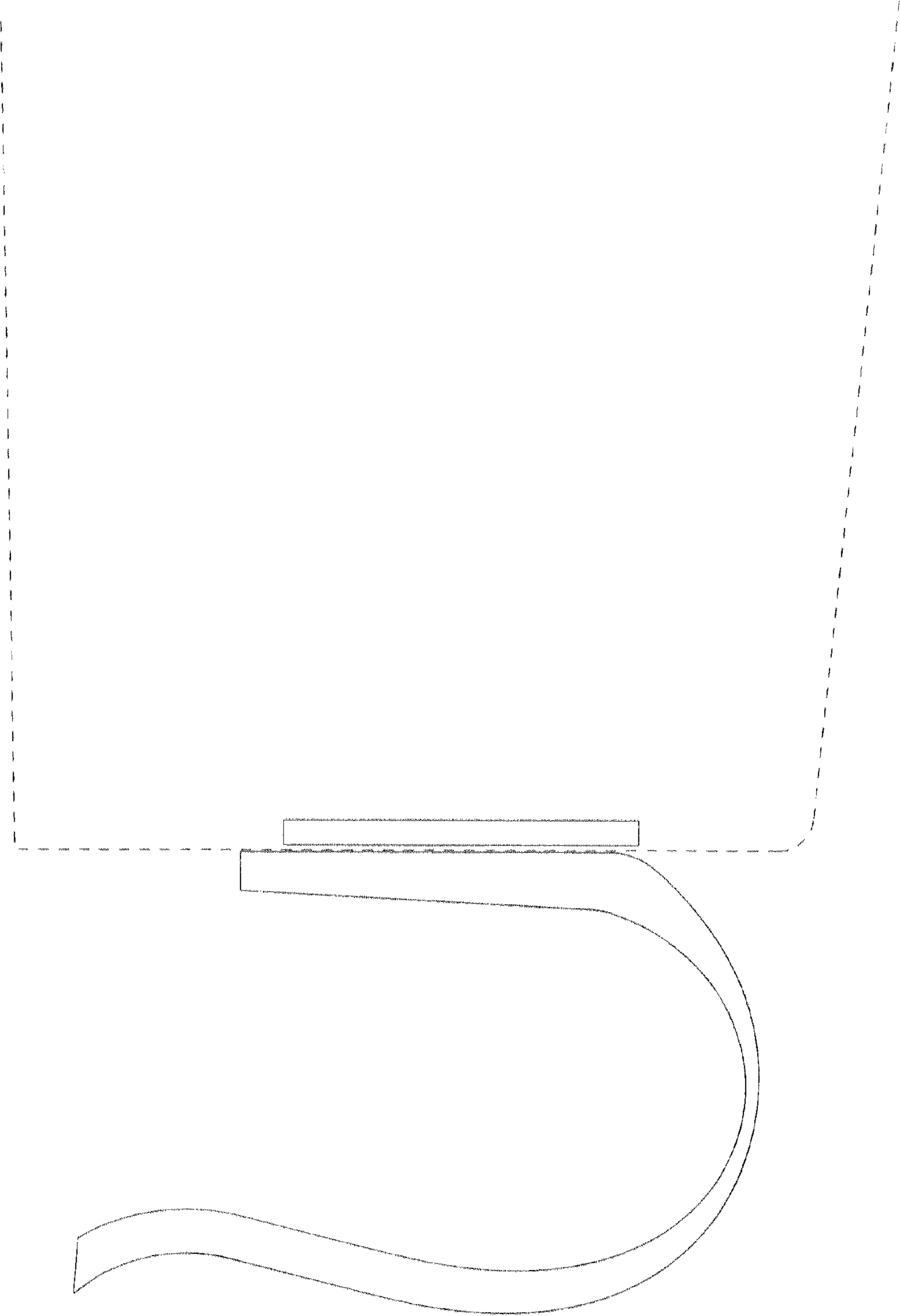


FIG. 3

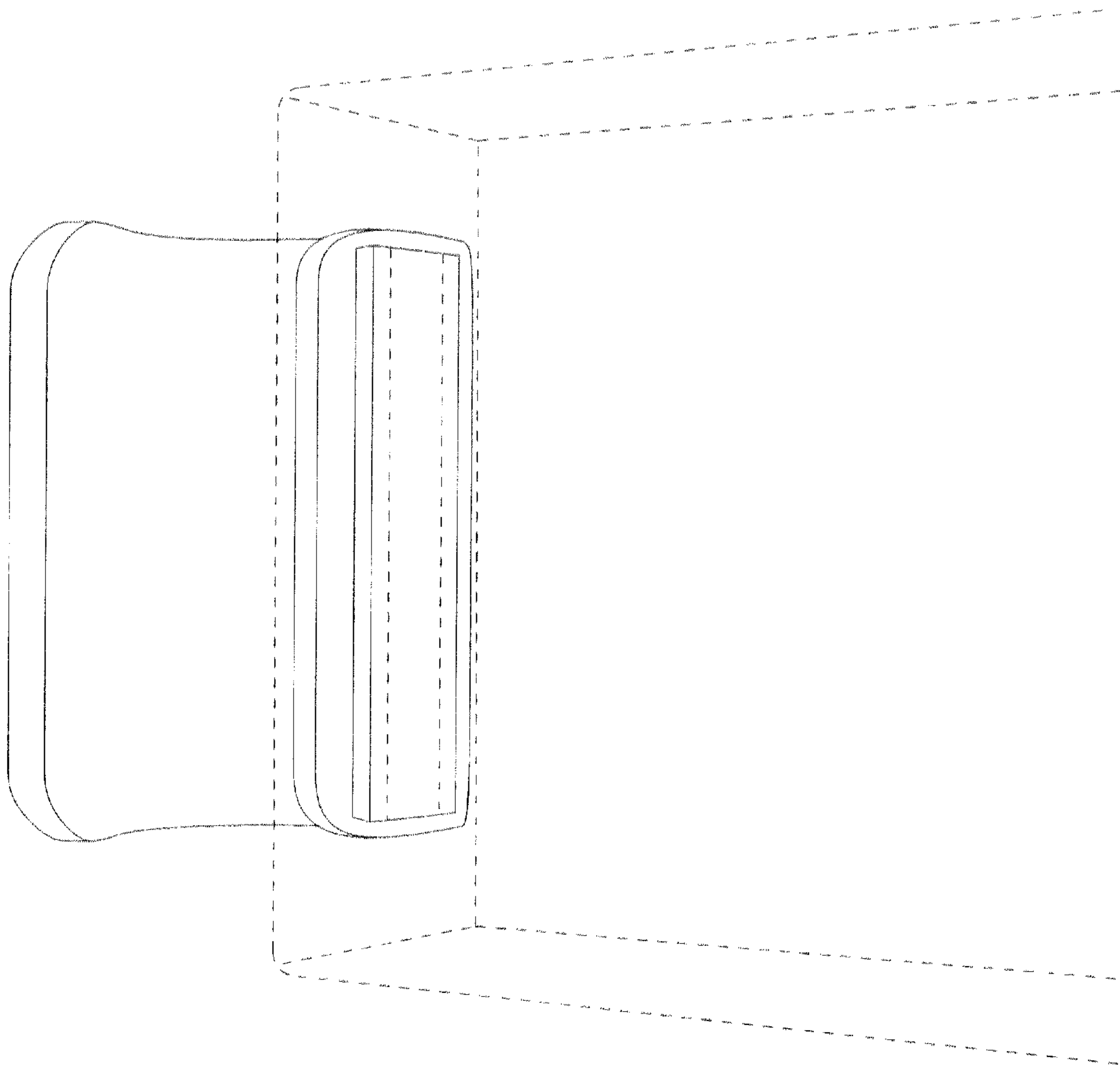


FIG. 4

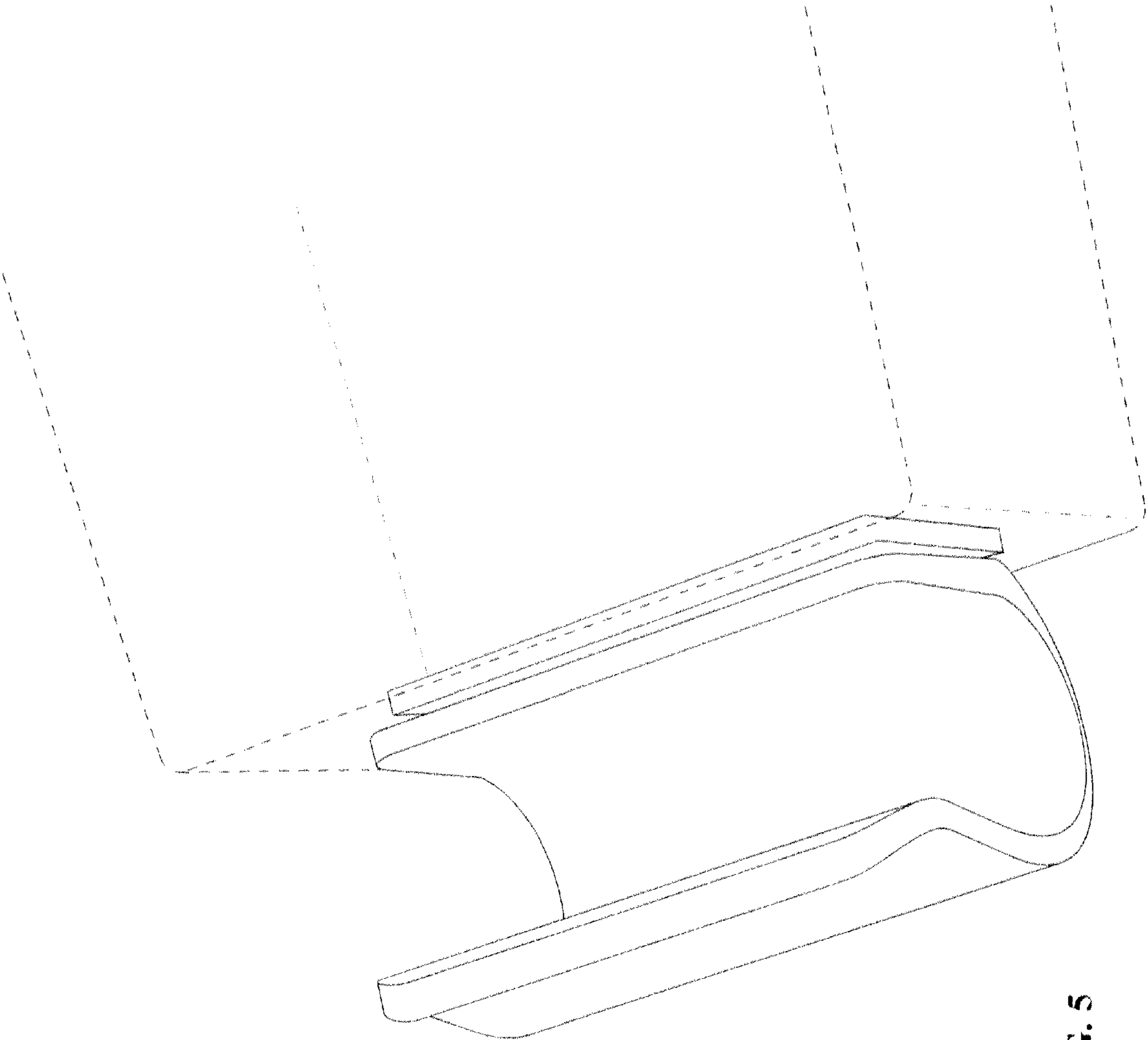


FIG. 5

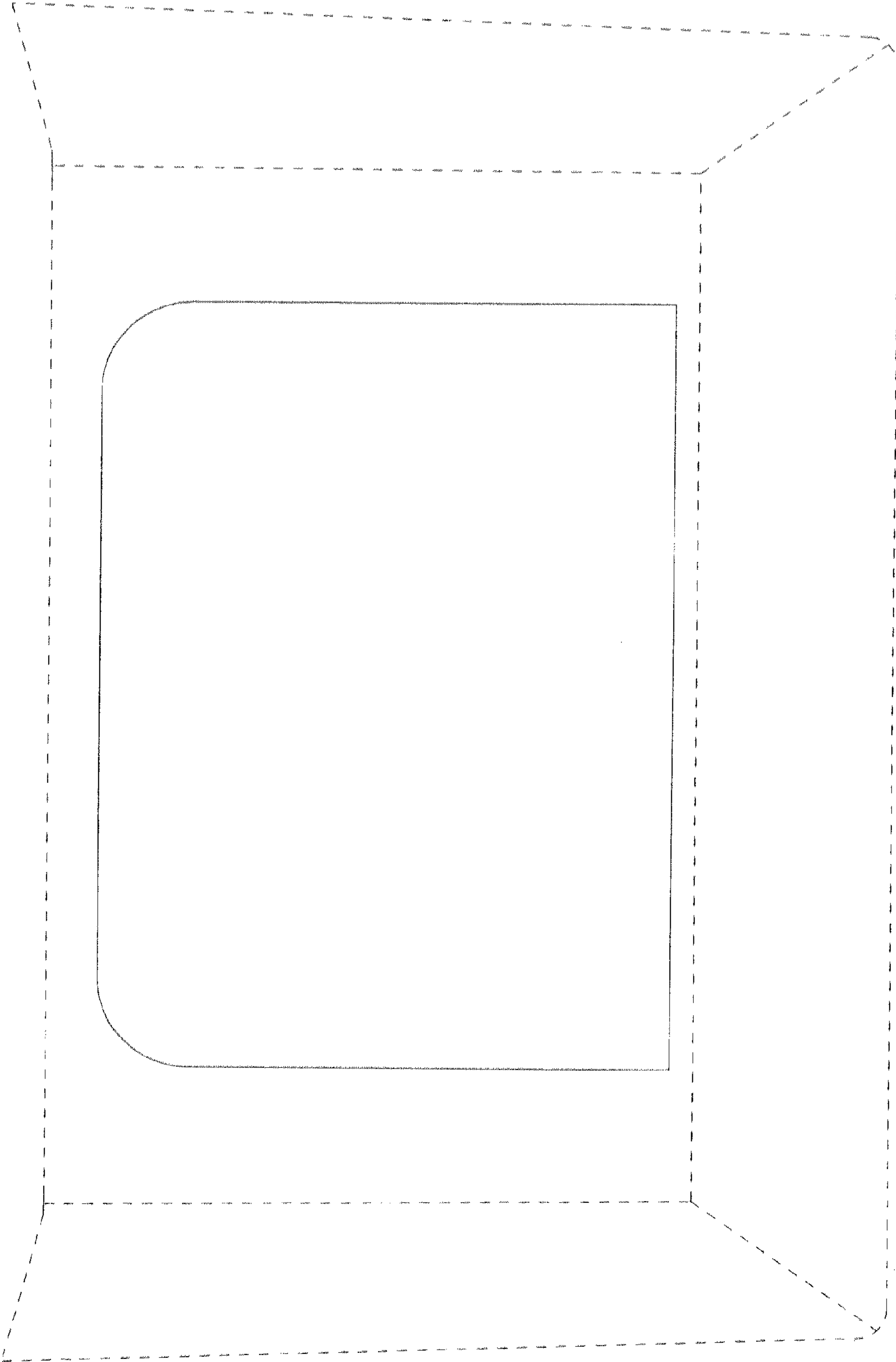


FIG. 6

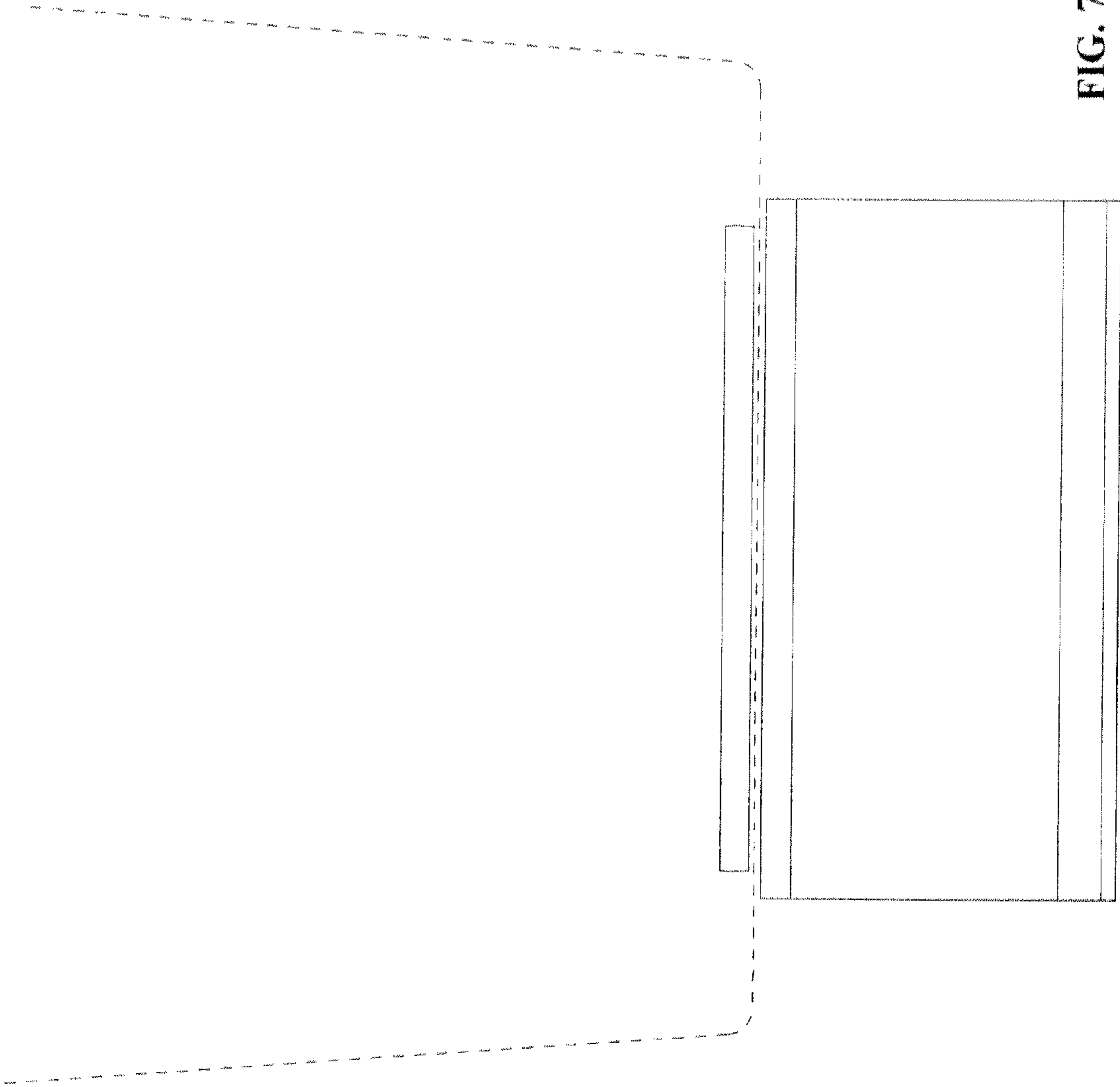


FIG. 7