



US00D672518S

(12) **United States Design Patent**
Facteau et al.

(10) **Patent No.:** **US D672,518 S**
(45) **Date of Patent:** **** Dec. 11, 2012**

- (54) **BORE SWABBING TOOL**
- (75) Inventors: **Robert J. Facteau**, Rensselaer, NY (US); **George E. Hathaway, IV**, Sprakers, NY (US)
- (73) Assignee: **The United States of America as Represented by the Secretary of the Army**, Washington, DC (US)
- (**) Term: **14 Years**
- (21) Appl. No.: **29/383,013**
- (22) Filed: **Jan. 11, 2011**
- (51) **LOC (9) Cl.** **08-99**
- (52) **U.S. Cl.** **D32/35**
- (58) **Field of Classification Search** D32/40-45, D32/50-52; 15/118, 244.1, 244.2, 244.3, 15/244.4, 116.1, 116.2, 119.1, 119.2, 104.9, 15/228, 229.2, 229.4; 401/135-140; 166/297; D15/21
See application file for complete search history.

7,284,936	B1 *	10/2007	Rinner	408/240
7,856,907	B2 *	12/2010	Johnson et al.	81/53.12
2003/0057662	A1 *	3/2003	Miya et al.	279/46.2
2004/0025641	A1 *	2/2004	Sugano	81/53.11
2004/0031604	A1 *	2/2004	Huggins et al.	166/98
2005/0128737	A1 *	6/2005	Pare'	362/157
2005/0241711	A1 *	11/2005	Sayers et al.	138/89
2009/0218092	A1 *	9/2009	Booth	166/174
2012/0132438	A1 *	5/2012	Telfer	166/373

* cited by examiner

Primary Examiner — John Windmuller
(74) *Attorney, Agent, or Firm* — Michael C. Sachs

(57) **CLAIM**
The ornamental design for a bore swabbing tool, as shown and described herein.

DESCRIPTION

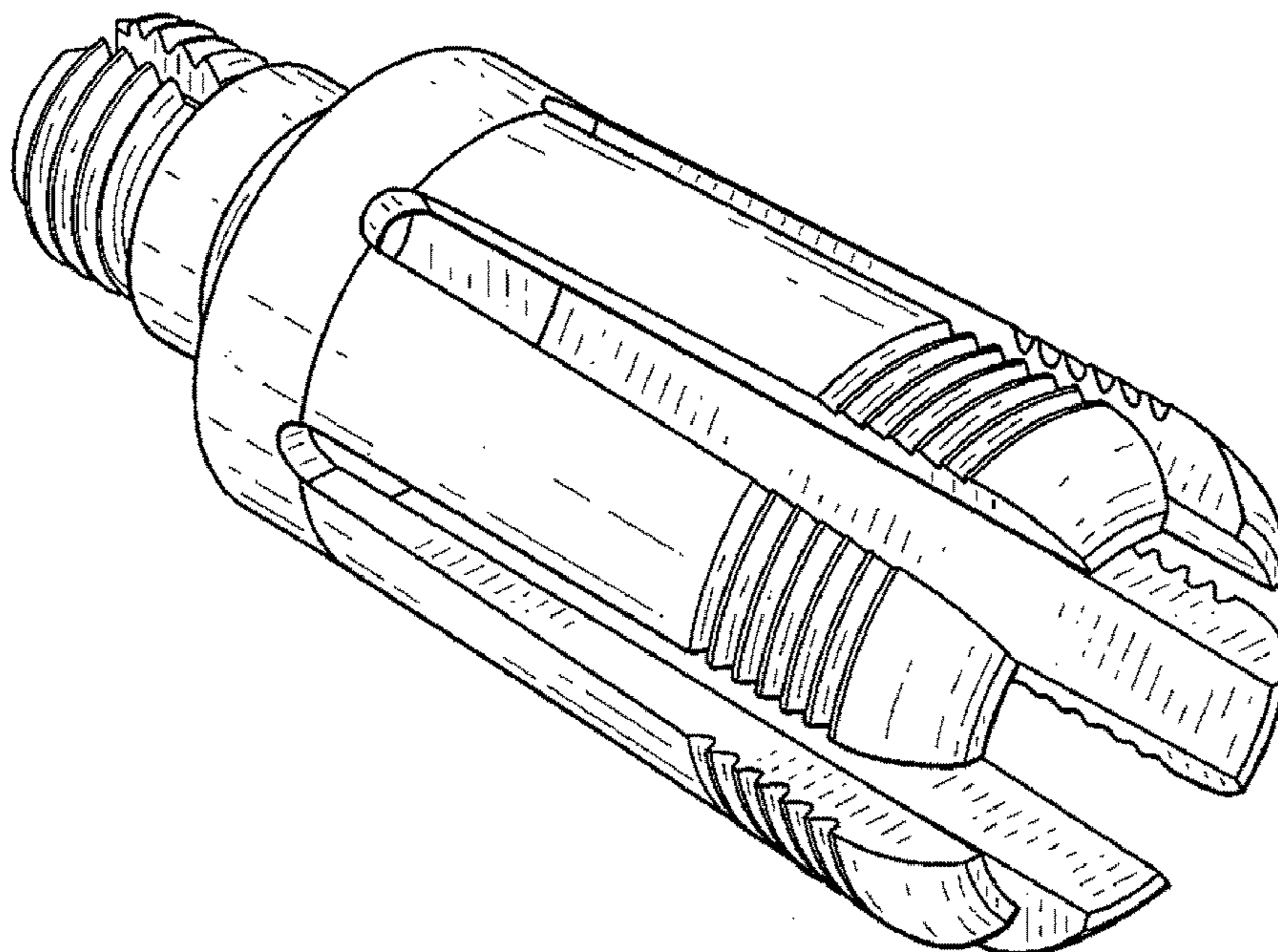
The invention described and claimed herein may be manufactured, used, and licensed by or for the U.S. Government for U.S. Government purposes.
FIG. 1 is a rearward looking perspective view of a bore swabbing tool of our new design;
FIG. 2 is a forward looking perspective view thereof;
FIG. 3 is a side view thereof; wherein, the view 180 degrees opposed thereto is a mirror image thereof, except that there is no elongated break in the rear threaded section;
FIG. 4 is a front elevation view thereof; and,
FIG. 5 is a rear elevation view thereof.

1 Claim, 2 Drawing Sheets

(56) **References Cited**

U.S. PATENT DOCUMENTS

4,617,735	A *	10/1986	Silverstein	30/151
D315,290	S *	3/1991	Ikuta	D8/385
5,572,913	A *	11/1996	Nasiell	81/177.6
5,809,850	A *	9/1998	Tickner	81/53.11
6,739,220	B1 *	5/2004	Johnson et al.	81/53.12
7,143,668	B2 *	12/2006	Johnson et al.	81/53.1



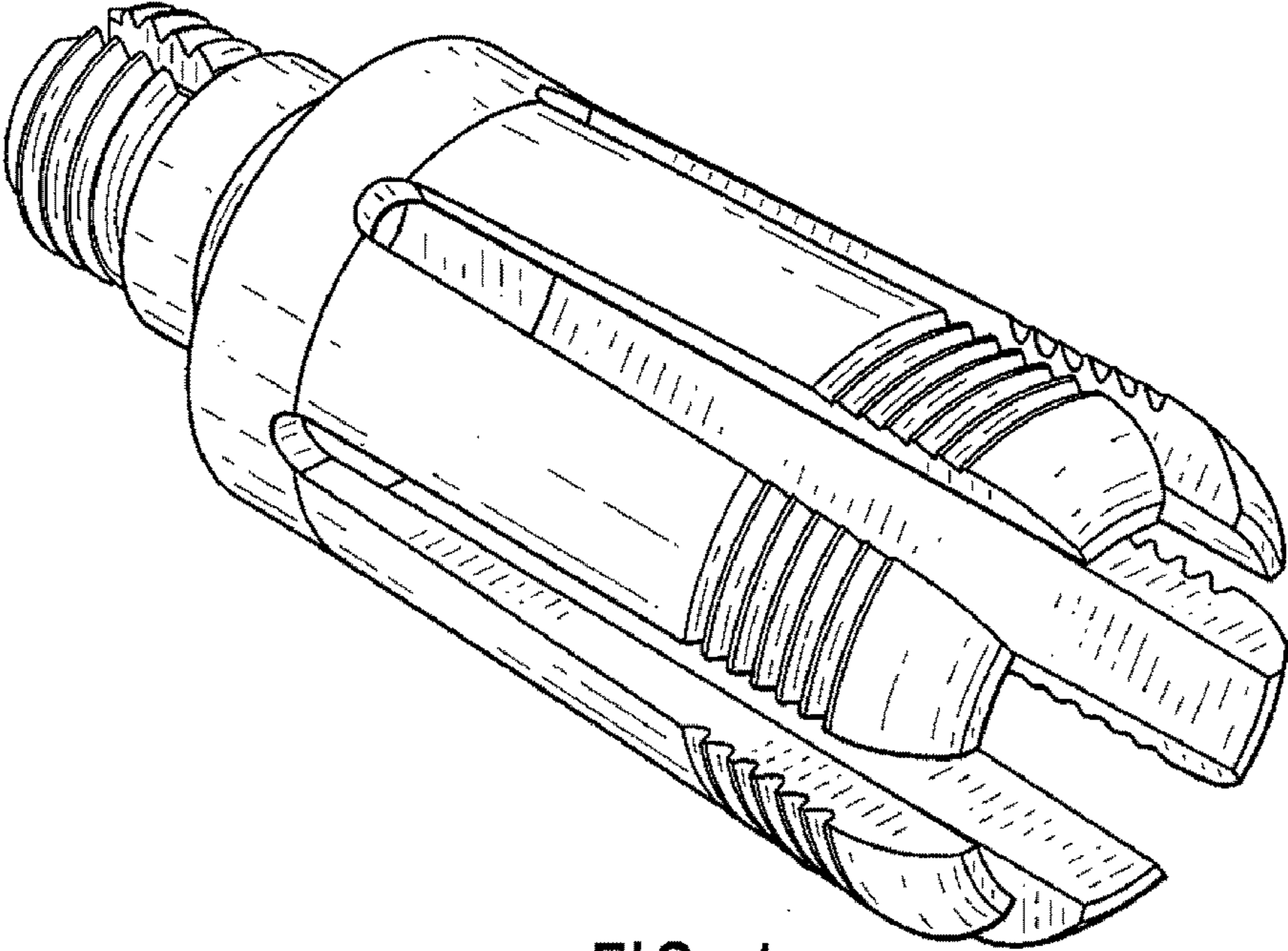


FIG. 1

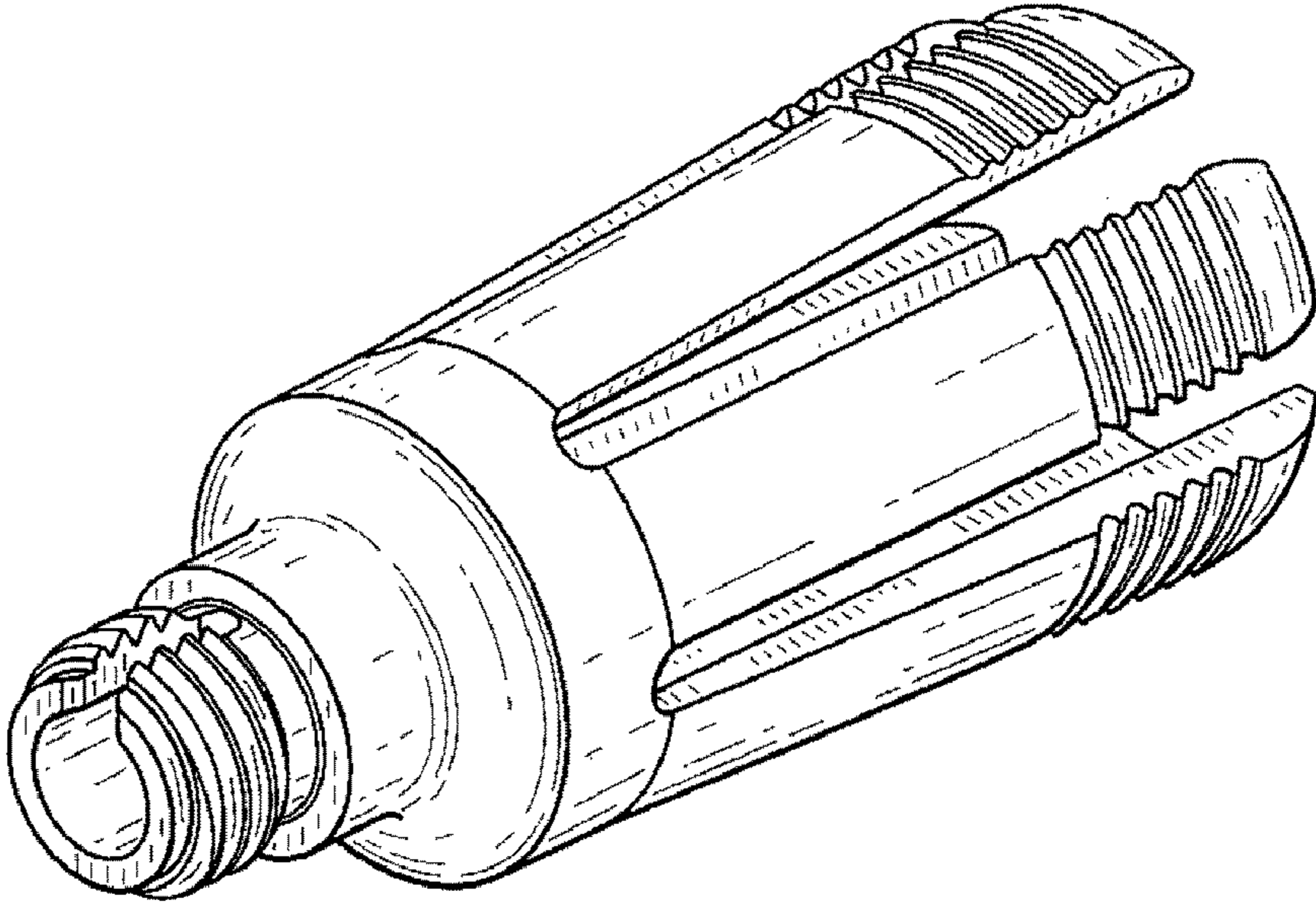


FIG. 2

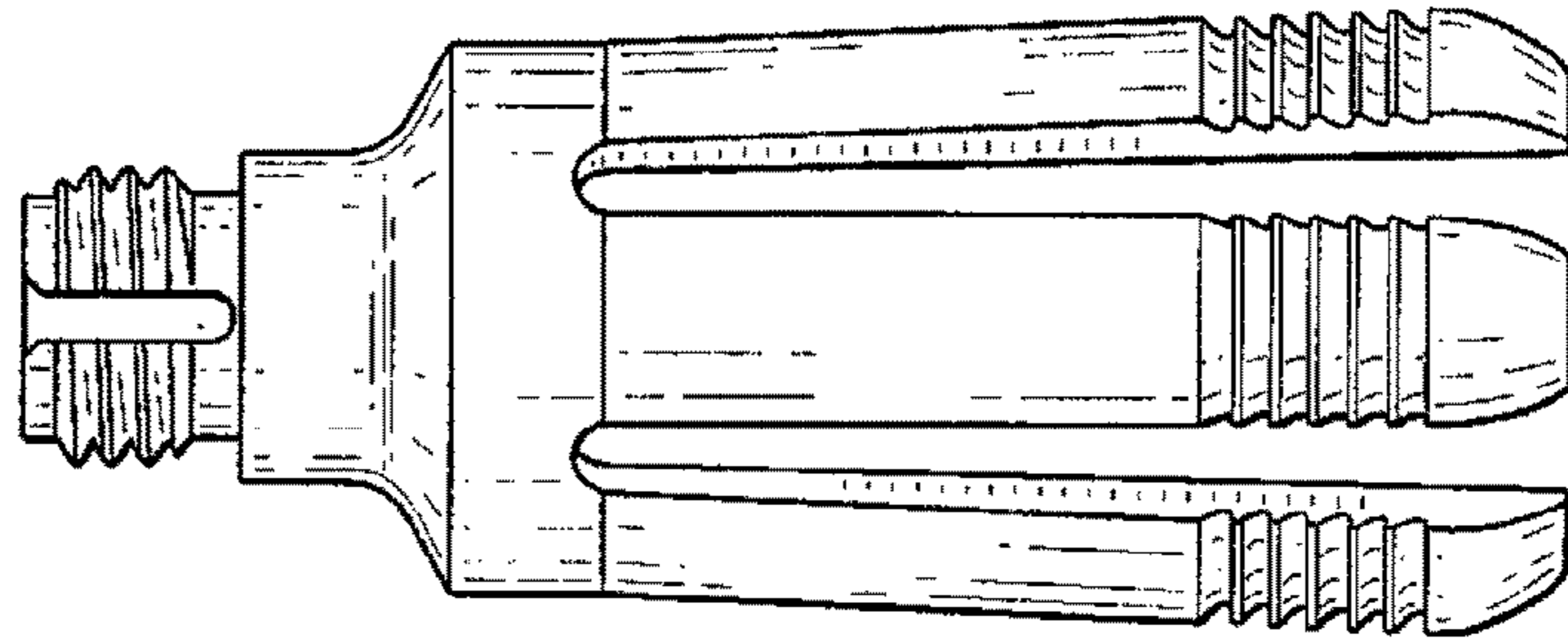


FIG. 3

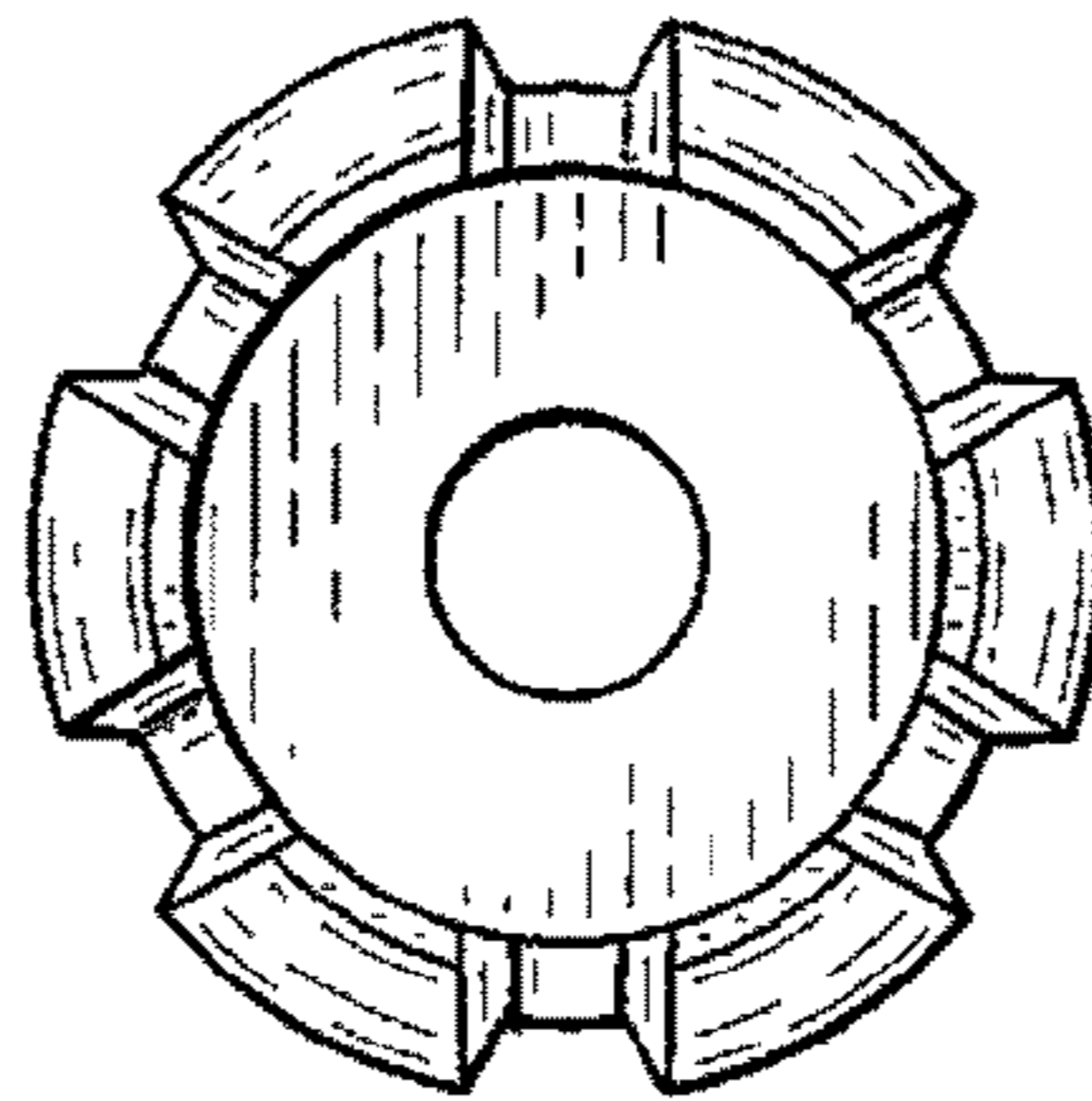


FIG. 4

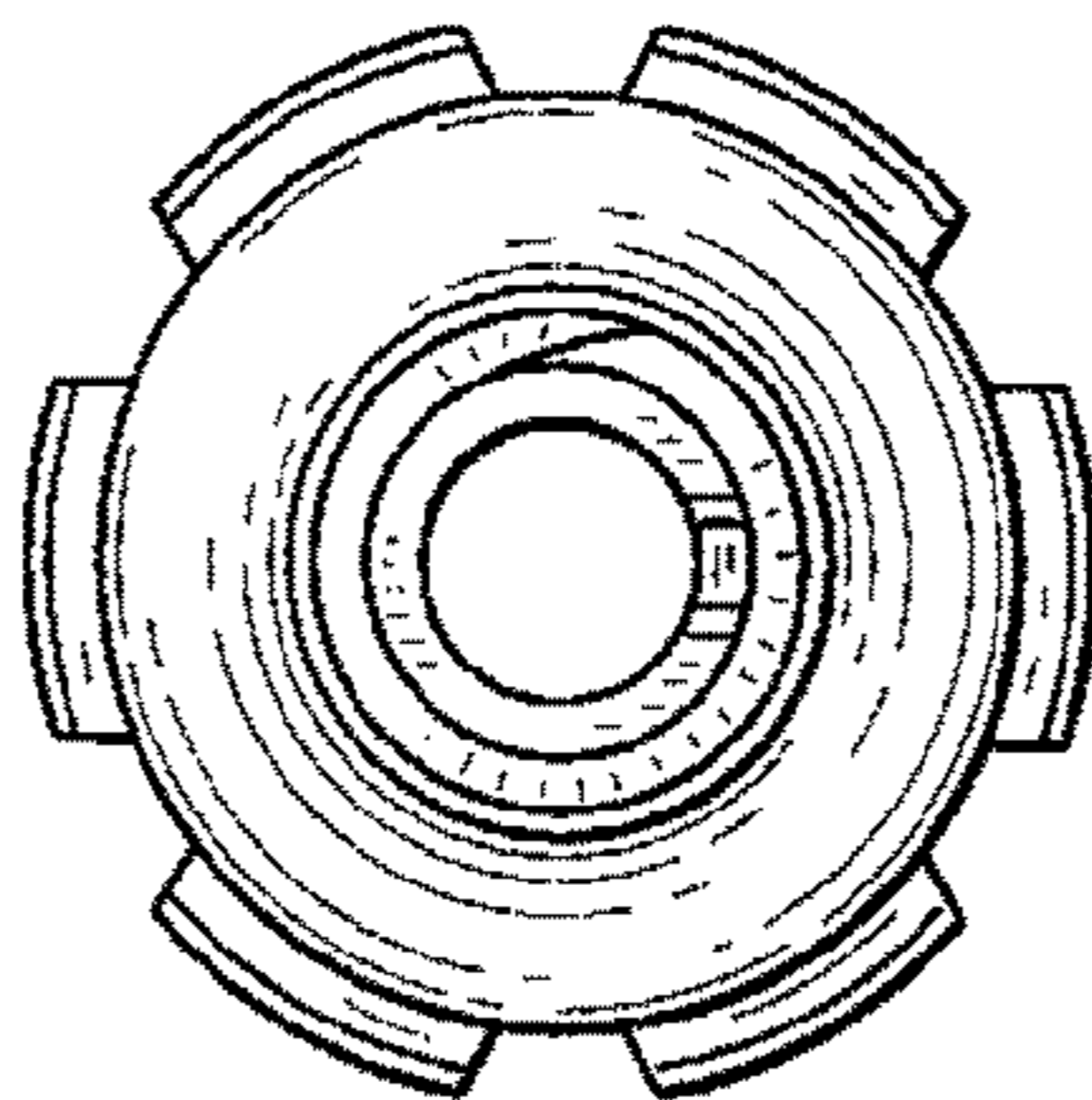


FIG. 5