



US00D672514S

(12) **United States Design Patent**  
**Dyer et al.**

(10) **Patent No.:** **US D672,514 S**  
(45) **Date of Patent:** **\*\* Dec. 11, 2012**

(54) **KITTY KNOCKER**

(76) Inventors: **Miraculous Dyer**, Washington, DC  
(US); **Shirley A. Dyer**, Washington, DC  
(US)

(\*\*) **Term:** **14 Years**

(21) **Appl. No.:** **29/404,530**

(22) **Filed:** **Oct. 21, 2011**

(51) **LOC (9) Cl.** ..... **30-99**

(52) **U.S. Cl.** ..... **D30/160**

(58) **Field of Classification Search** ..... D30/119,  
D30/160; D21/408, 440, 465-466; 119/702,  
119/706-711, 758, 769

See application file for complete search history.

(56) **References Cited**

**U.S. PATENT DOCUMENTS**

729,473	A *	5/1903	Wilson	473/576
2,194,736	A *	3/1940	De Bruler	119/709
D159,744	S *	8/1950	Low	D30/160
3,085,551	A *	4/1963	Helmer	119/706
3,140,871	A *	7/1964	Liquori	482/81
4,121,829	A *	10/1978	Petrusek	473/576
4,127,268	A *	11/1978	Lindgren	473/576
4,400,696	A	8/1983	Klingensmith	
4,551,713	A	11/1985	Aossey	
D281,889	S *	12/1985	Bate et al.	D21/672
4,867,451	A *	9/1989	Mitchell	473/576
D309,484	S *	7/1990	Arad et al.	D21/672
5,038,703	A *	8/1991	Frush	116/170
5,216,978	A *	6/1993	Lovell	119/708
D356,354	S *	3/1995	Killion	D30/160
5,829,391	A *	11/1998	Krietzman et al.	119/708
5,952,926	A	9/1999	Syverson	

5,961,406	A *	10/1999	Hass	119/707
5,988,114	A *	11/1999	Krietzman et al.	119/706
D478,136	S *	8/2003	Chang	D21/466
6,776,679	B1 *	8/2004	Menow	446/236
7,057,515	B2	6/2006	Smith et al.	
7,195,534	B1 *	3/2007	Millman	446/26
7,833,115	B2 *	11/2010	Abel et al.	473/508
D644,797	S *	9/2011	Haaf	D30/160
8,065,977	B1 *	11/2011	Wilks	119/706
8,092,408	B2 *	1/2012	Sloan	601/134
D656,281	S *	3/2012	Morton	D30/160
2004/0011299	A1 *	1/2004	Lamson-Scribner	119/708

**OTHER PUBLICATIONS**

[http://www.baxterboo.com/brands.cfm/poochiebells?gclid=CM7.\\*](http://www.baxterboo.com/brands.cfm/poochiebells?gclid=CM7.*)

\* cited by examiner

*Primary Examiner* — Cathy A MacCormac

(57) **CLAIM**

The ornamental design for a kitty knocker, as shown and described.

**DESCRIPTION**

FIG. 1 is a front elevation view of a kitty knocker showing our new design, rear elevation view being a mirror image;  
FIG. 2 is a right side elevation view, the opposite side being a mirror image thereof;  
FIG. 3 is a top elevation plan view thereof;  
FIG. 4 is a bottom plan view thereof;  
FIG. 5 is an isometric view thereof; and,  
FIG. 6 is an enlarged isometric view thereof.  
The broken lines in the drawings depict environmental subject matter only and form no part of the claimed design.

**1 Claim, 5 Drawing Sheets**

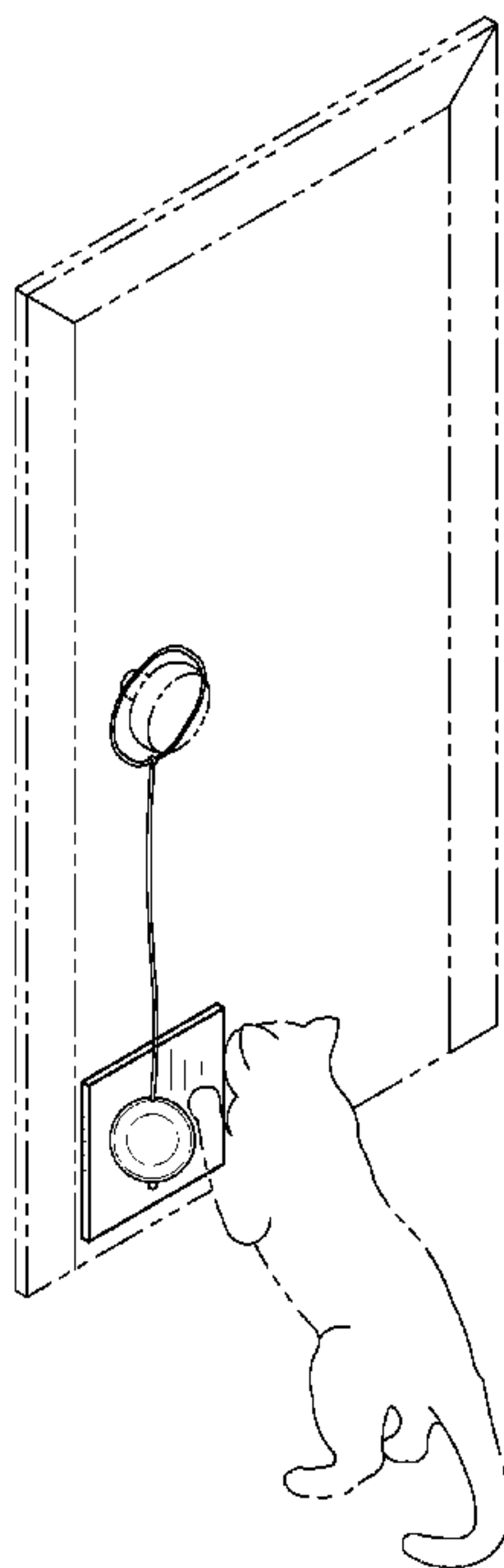


FIG. 1

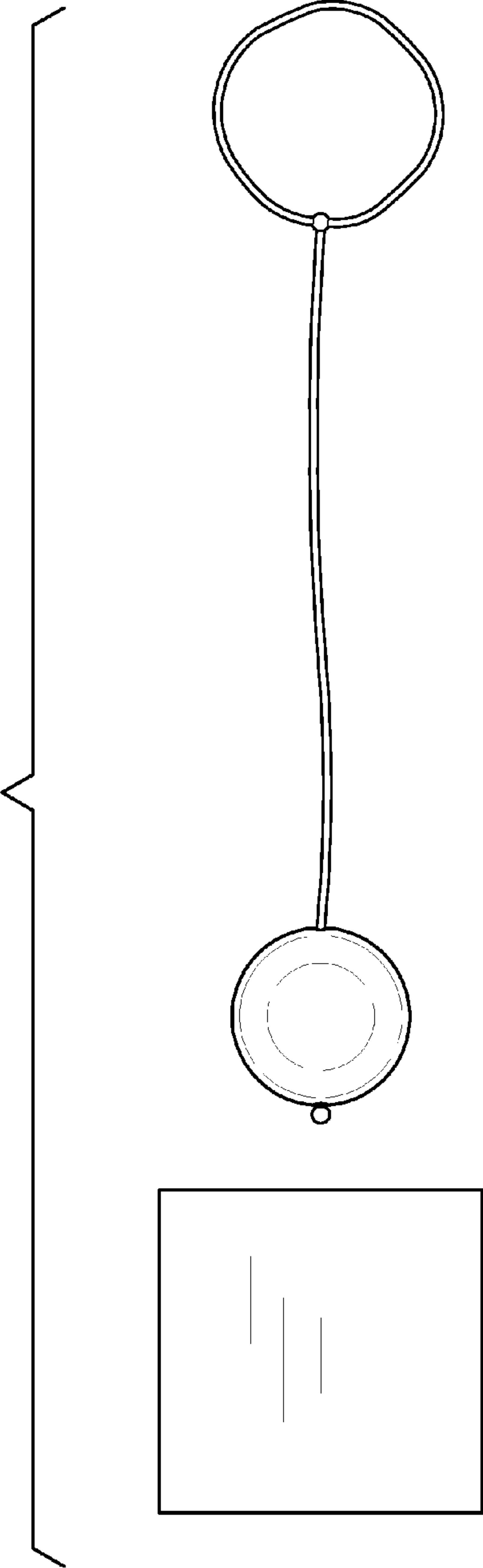


FIG. 2

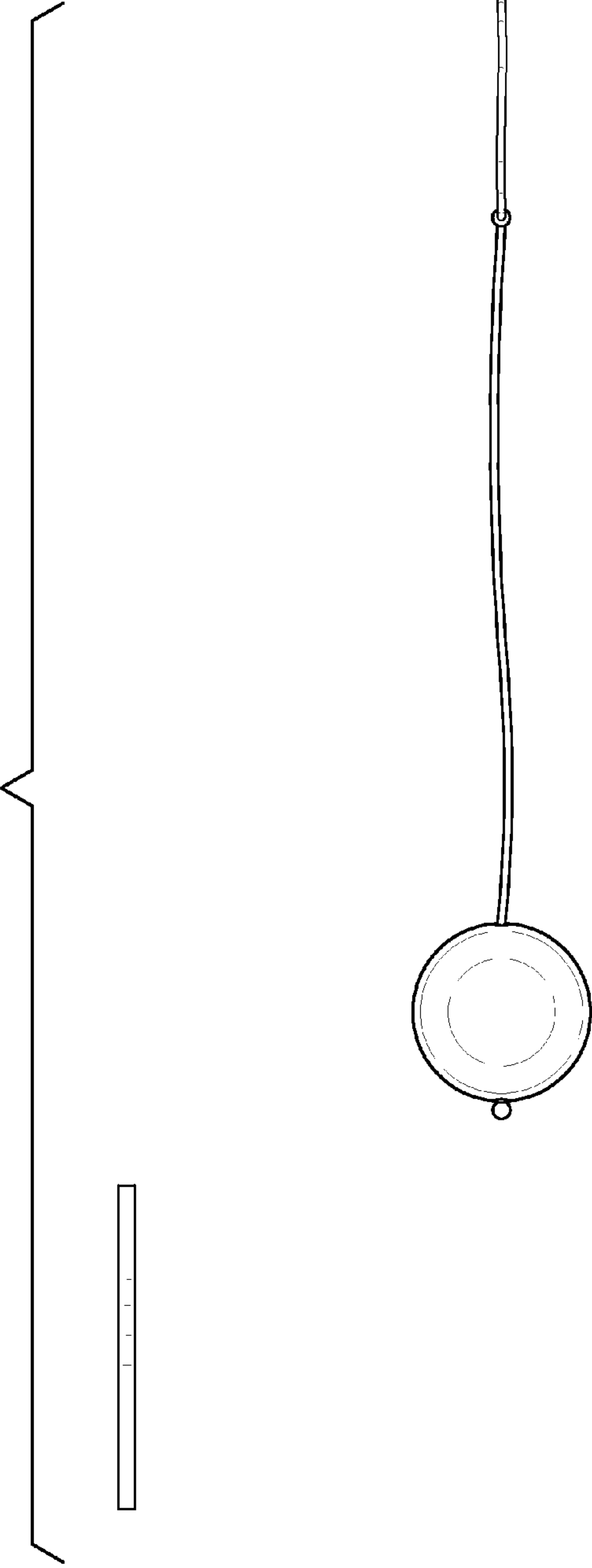


FIG. 3

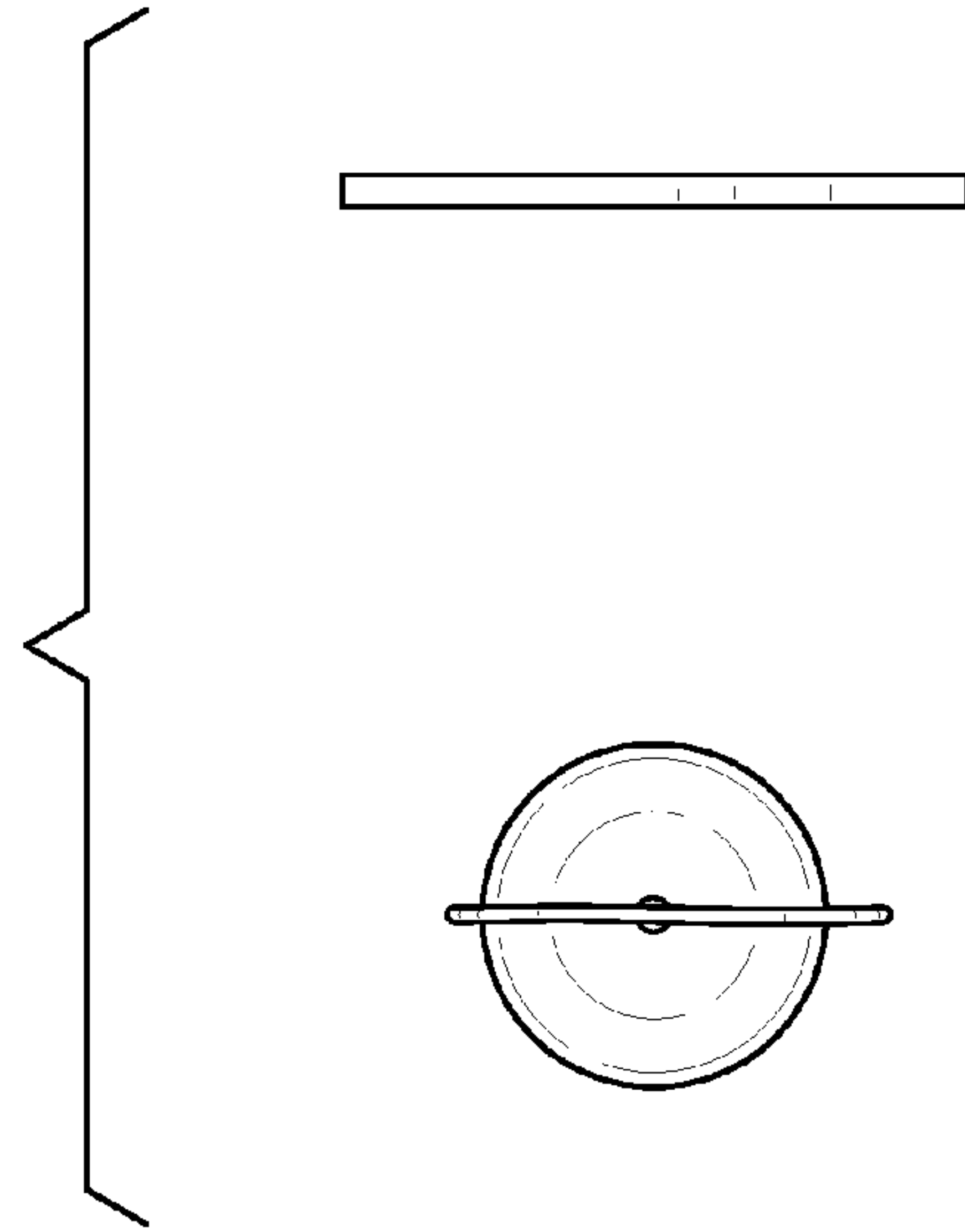
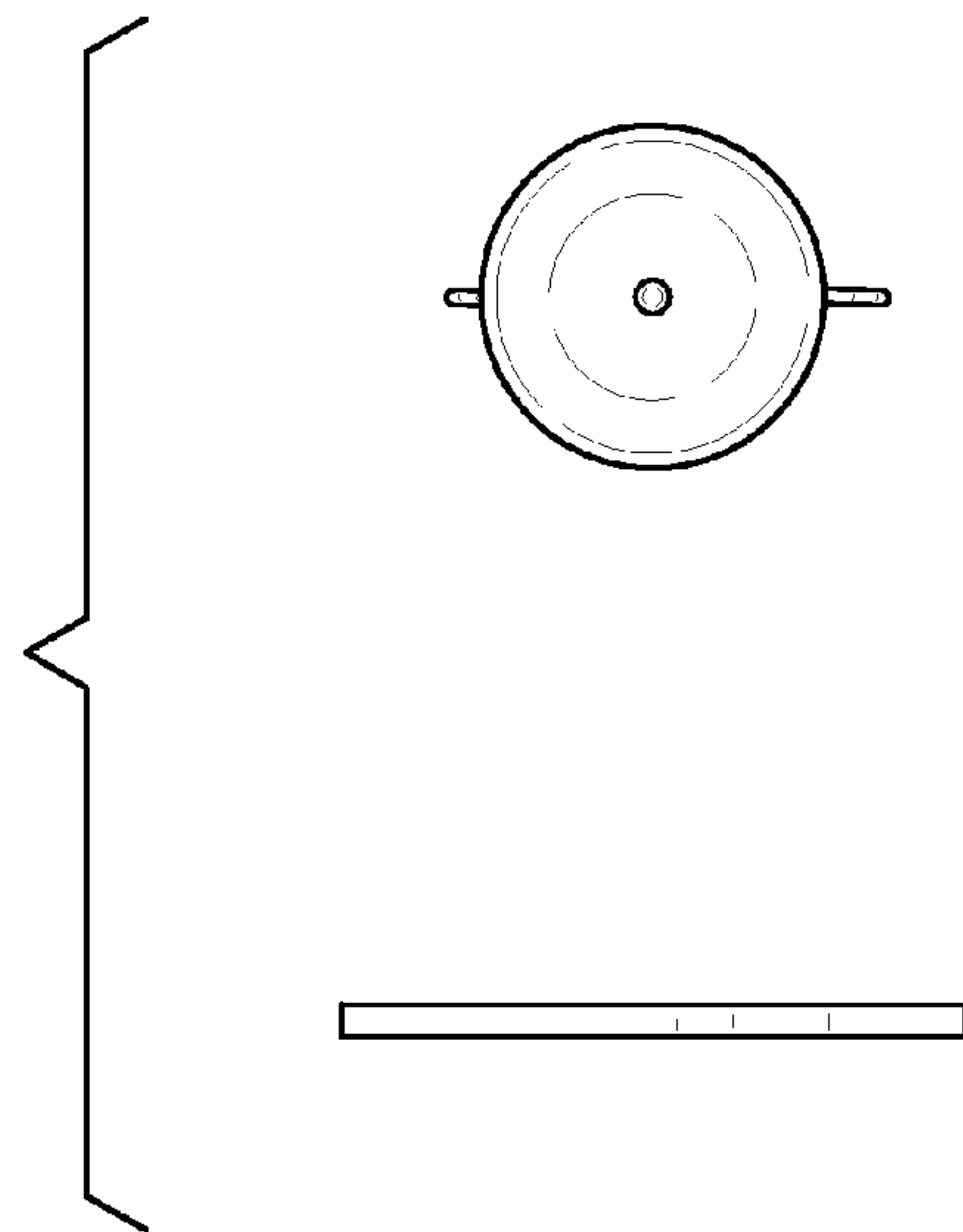


FIG. 4



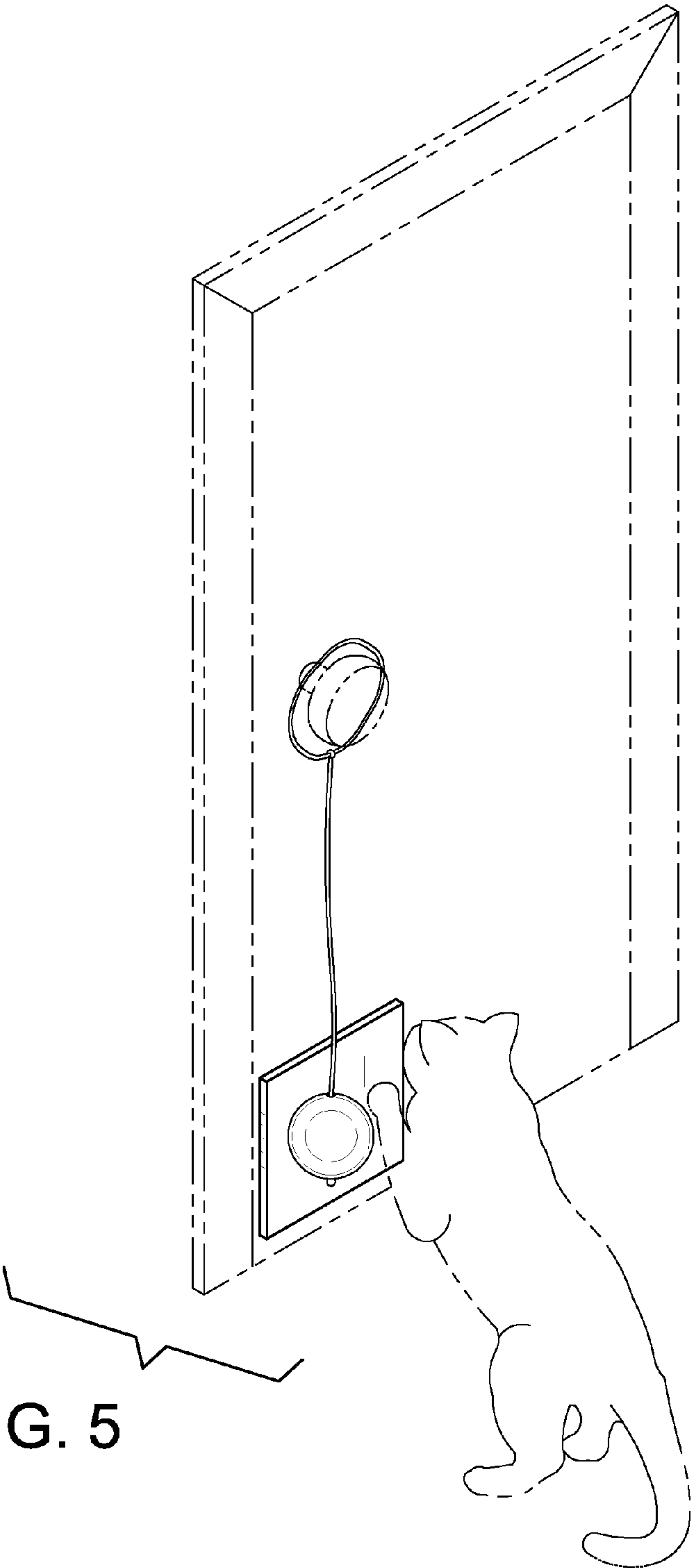


FIG. 5

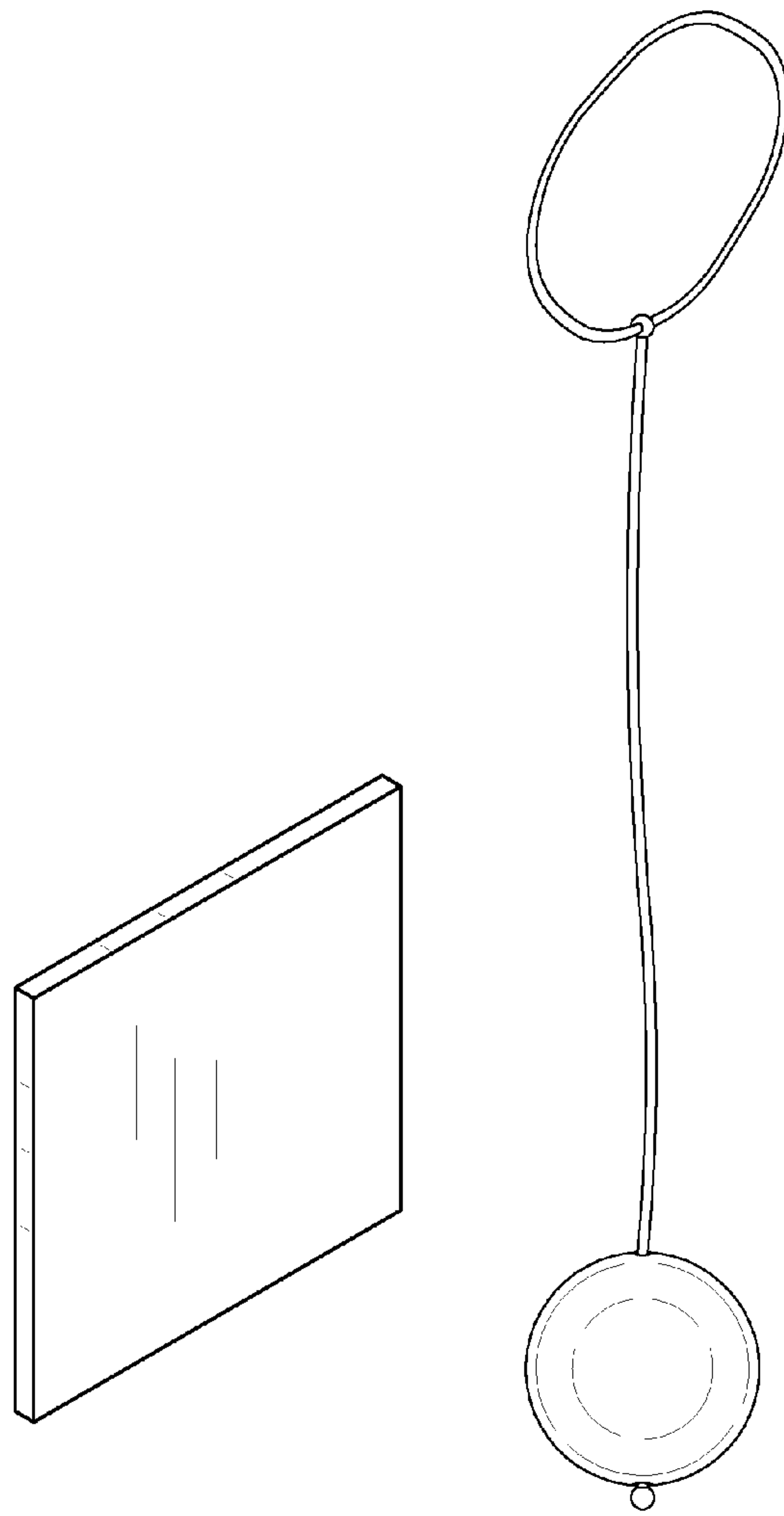


FIG. 6