



US00D672496S

(12) **United States Design Patent**
Julémont

(10) **Patent No.:** **US D672,496 S**

(45) **Date of Patent:** **** Dec. 11, 2012**

(54) **HAIR DRYER**

(75) Inventor: **Pierre Julémont**, Soumagne (BE)

(73) Assignee: **Babyliss Faco SA**, Wandre (BE)

(**) Term: **14 Years**

(21) Appl. No.: **29/396,570**

(22) Filed: **Jul. 1, 2011**

(30) **Foreign Application Priority Data**

Jan. 5, 2011 (EM) 001801549-0012

(51) **LOC (9) Cl.** **28-03**

(52) **U.S. Cl.** **D28/13**

(58) **Field of Classification Search** D28/12-19;
34/96-101; 392/380-385; 219/222
See application file for complete search history.

(56) **References Cited**

U.S. PATENT DOCUMENTS

D422,114 S *	3/2000	Gudefin	D28/13
D428,528 S *	7/2000	Deguines	D28/13
D536,482 S *	2/2007	Koenemann	D28/13
D544,998 S *	6/2007	Petrucelli	D28/13
D579,151 S *	10/2008	Leung	D28/13

D600,405 S *	9/2009	Soresina et al.	D28/13
D603,094 S *	10/2009	Piard	D28/13
D604,900 S *	11/2009	Yang	D28/13

* cited by examiner

Primary Examiner — Zenia Bennett

(74) *Attorney, Agent, or Firm* — Ladas & Parry LLP

(57) **CLAIM**

The ornamental design for a hair dryer, as shown and described.

DESCRIPTION

FIG. 1 is a perspective view from the top, and left side of the hair dryer embodying my new design:

FIG. 2 is a perspective view from below and right side thereof;

FIG. 3 is a front elevational view thereof;

FIG. 4 is a rear elevational view thereof;

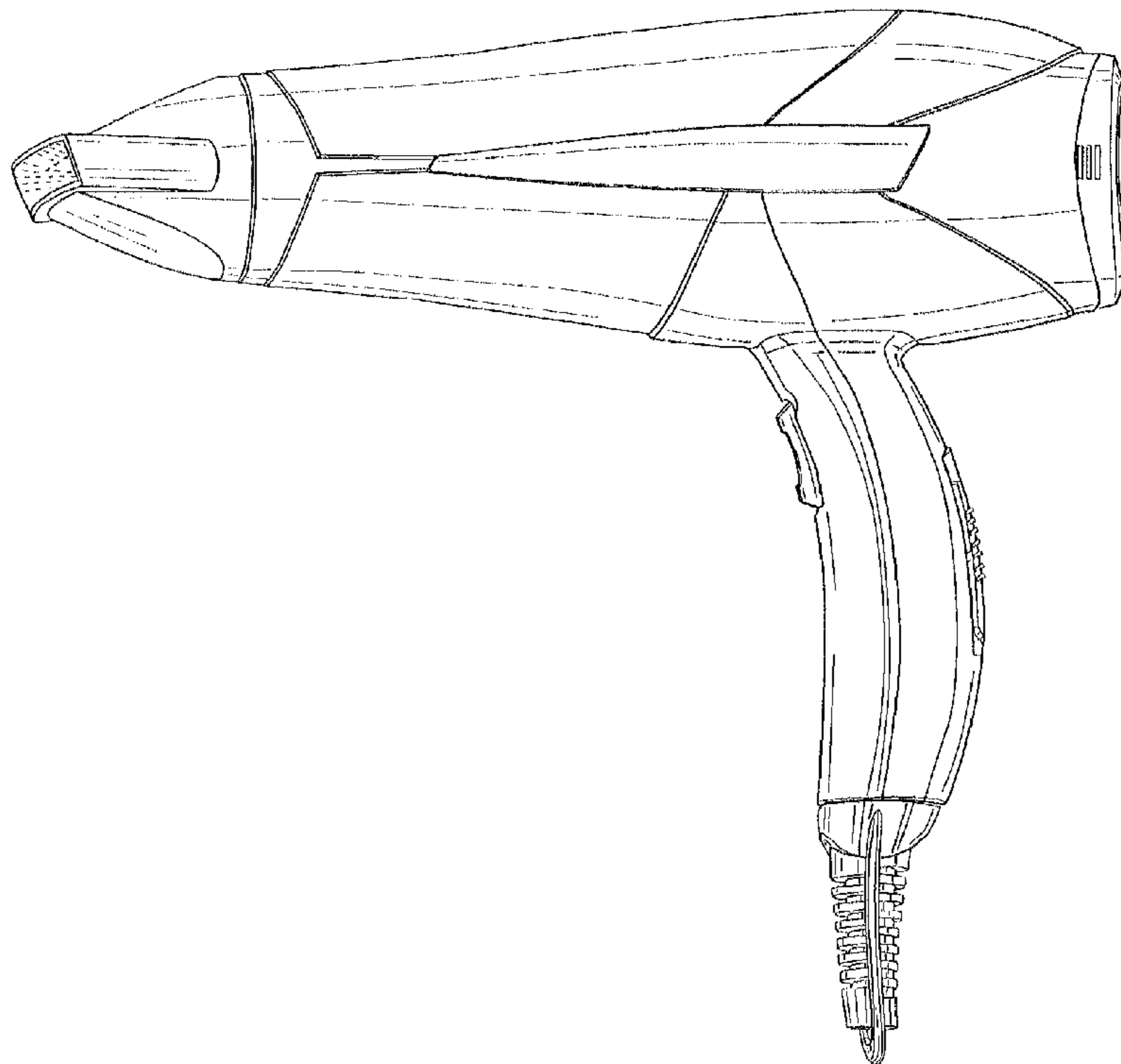
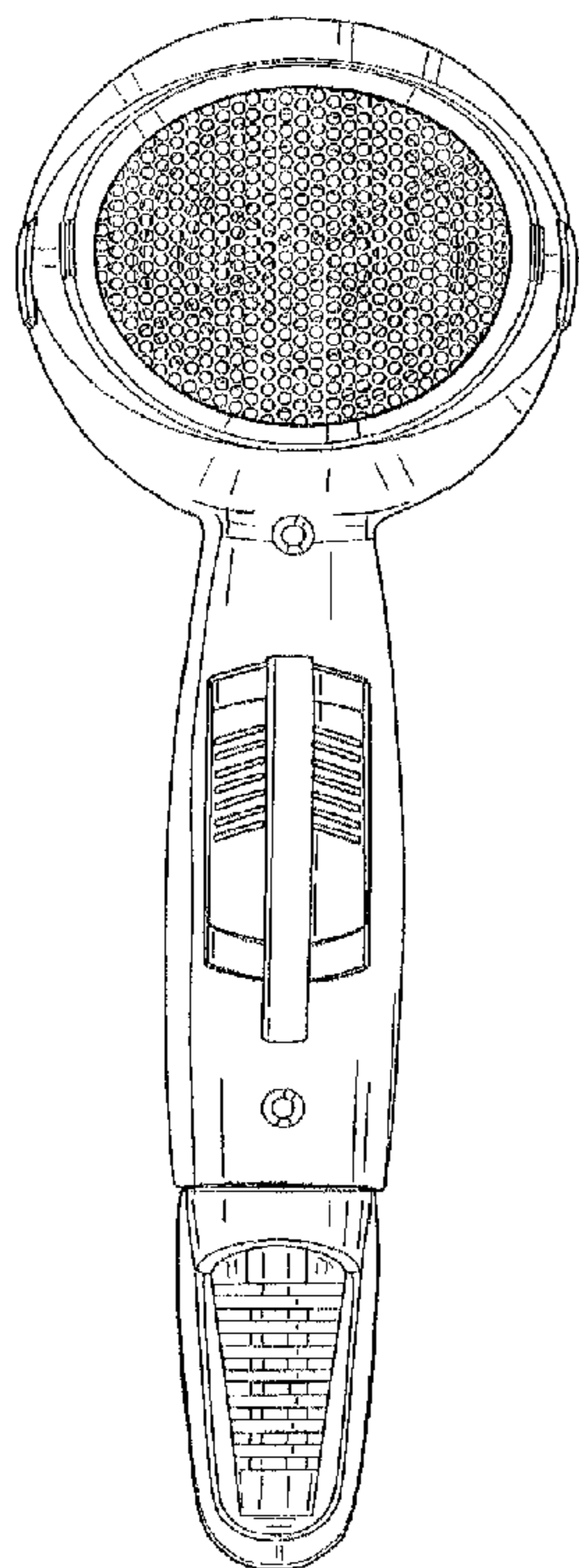
FIG. 5 is a left side elevational view thereof, the right side elevational view being a mirror image thereof;

FIG. 6 is a top plan view thereof; and,

FIG. 7 is a bottom plan view thereof.

The portions in the drawings shown in dotted lines are for environmental purposes only and form no part of the claimed design.

1 Claim, 7 Drawing Sheets



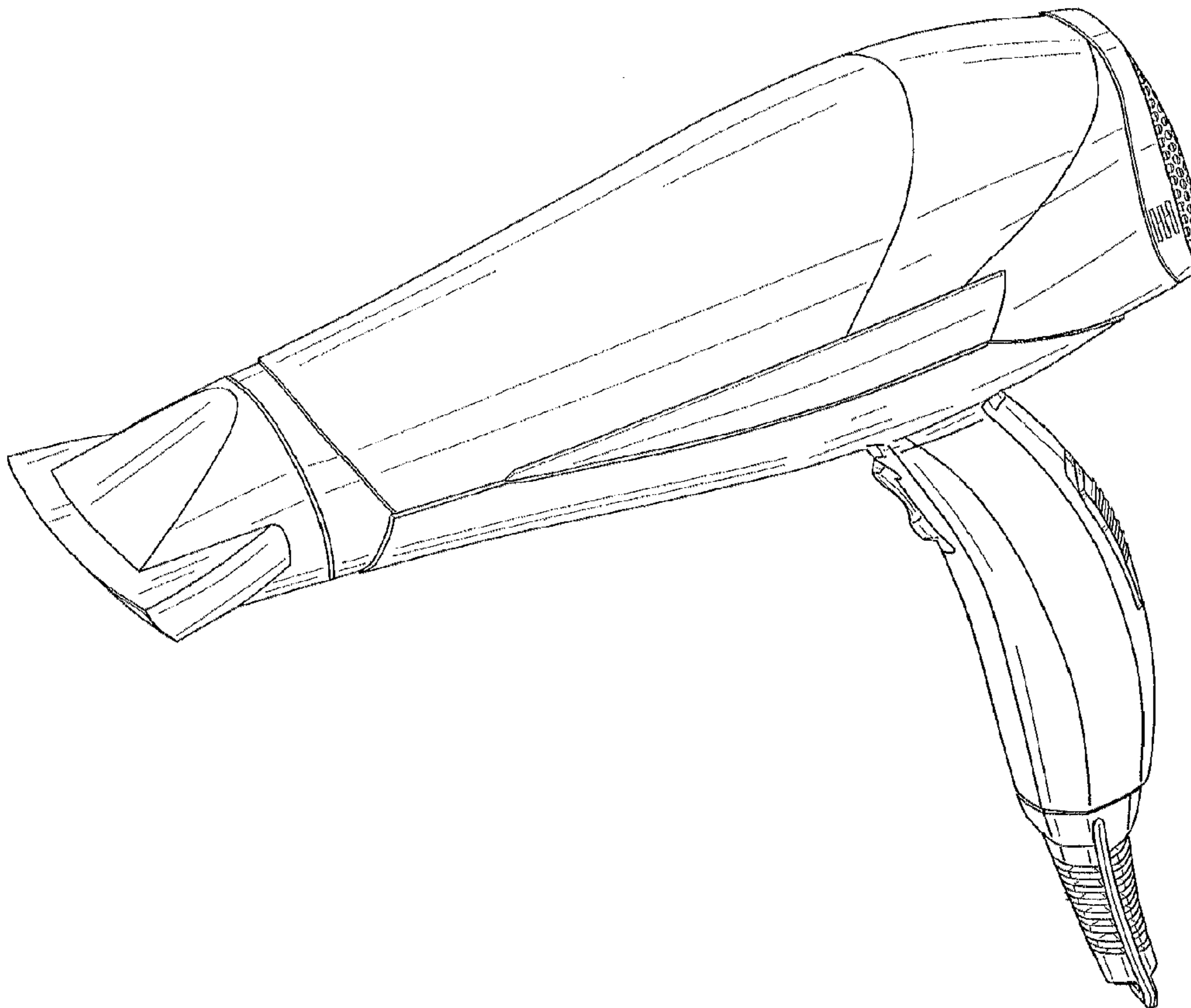


FIG. 1

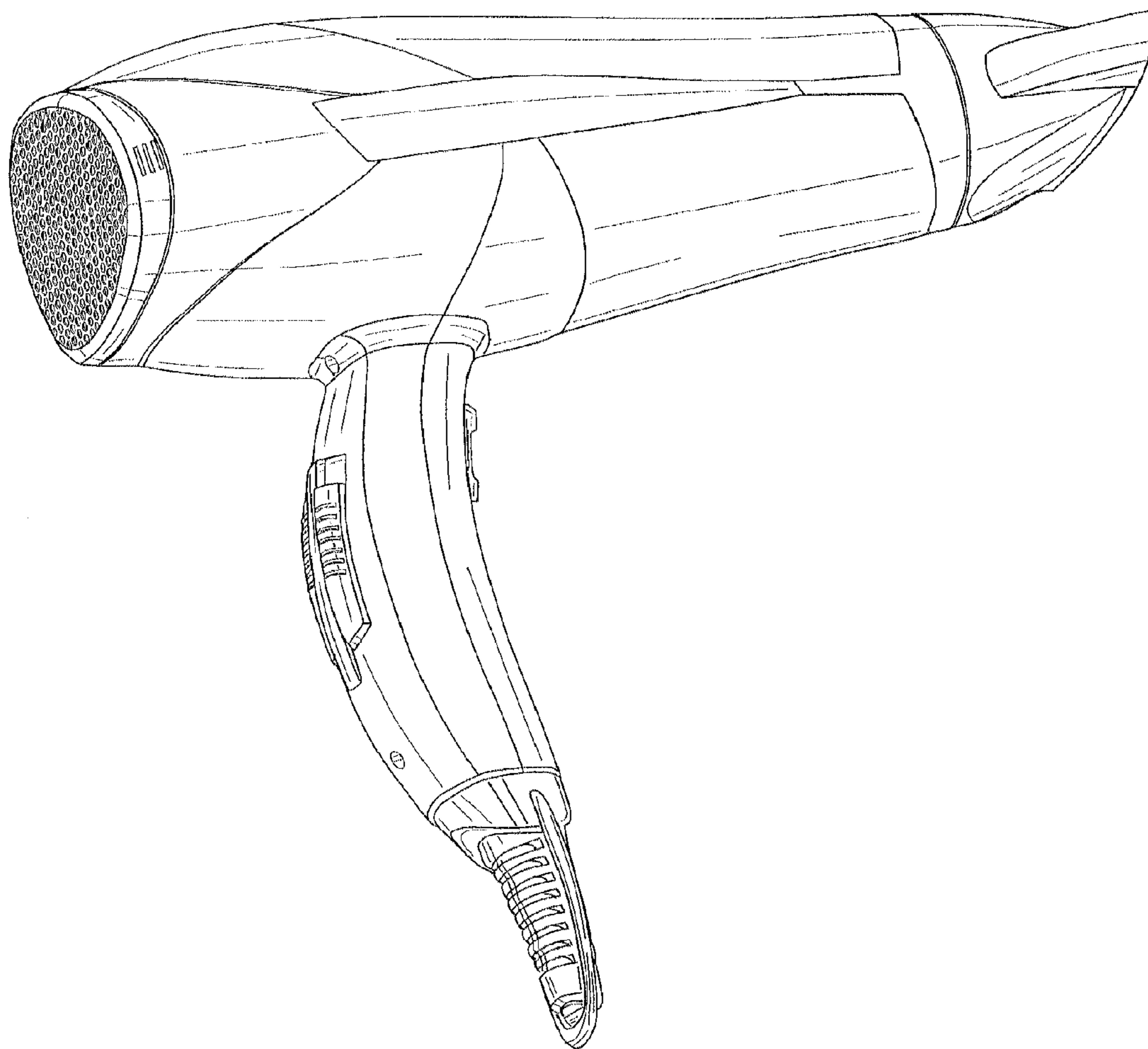


FIG. 2

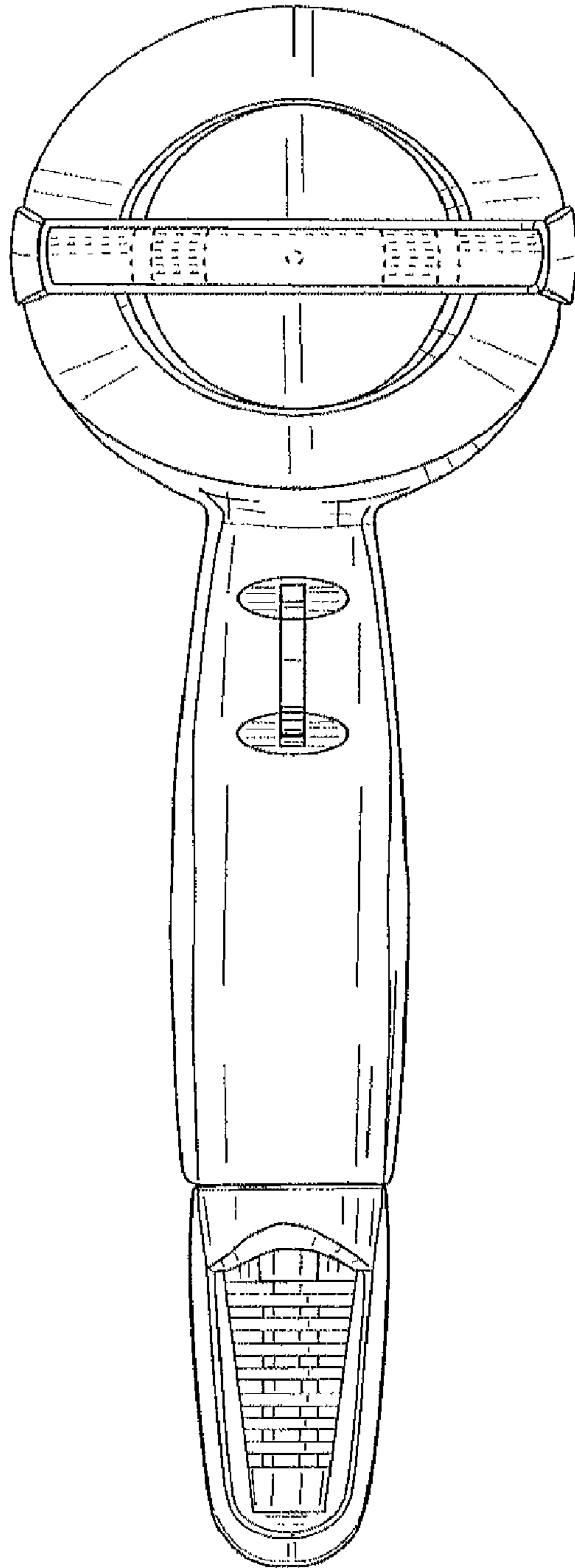


FIG. 3

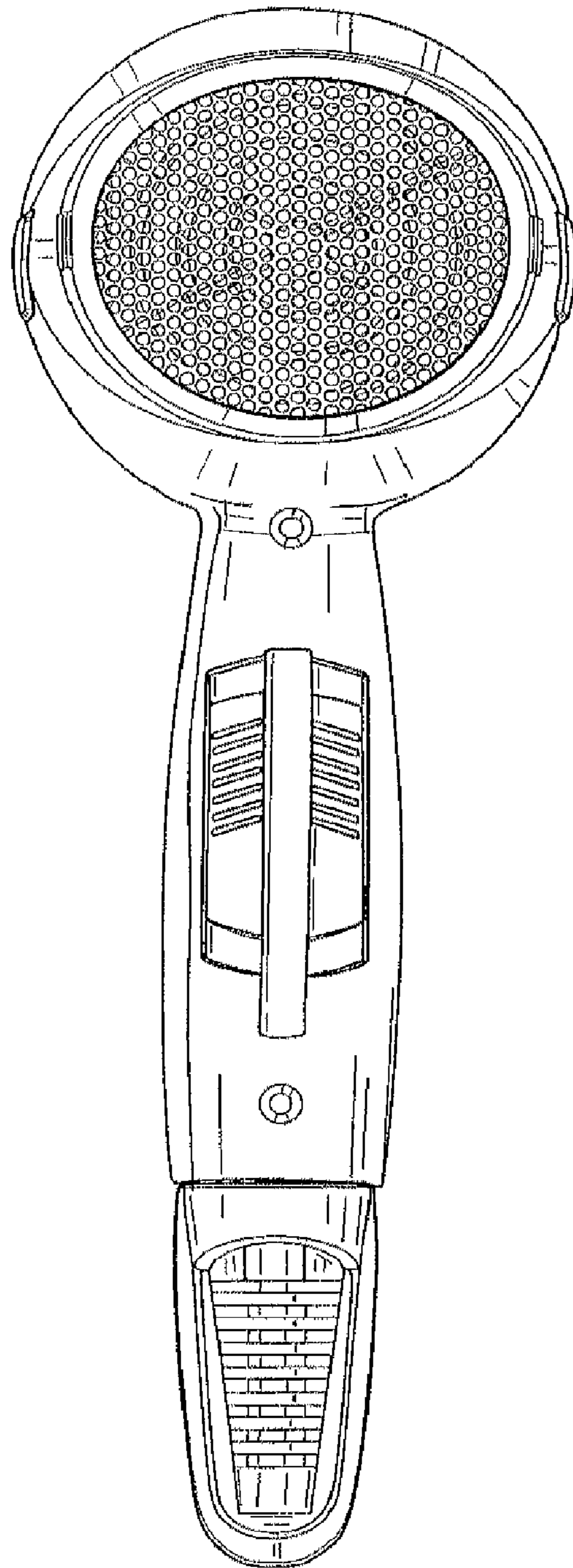


FIG. 4

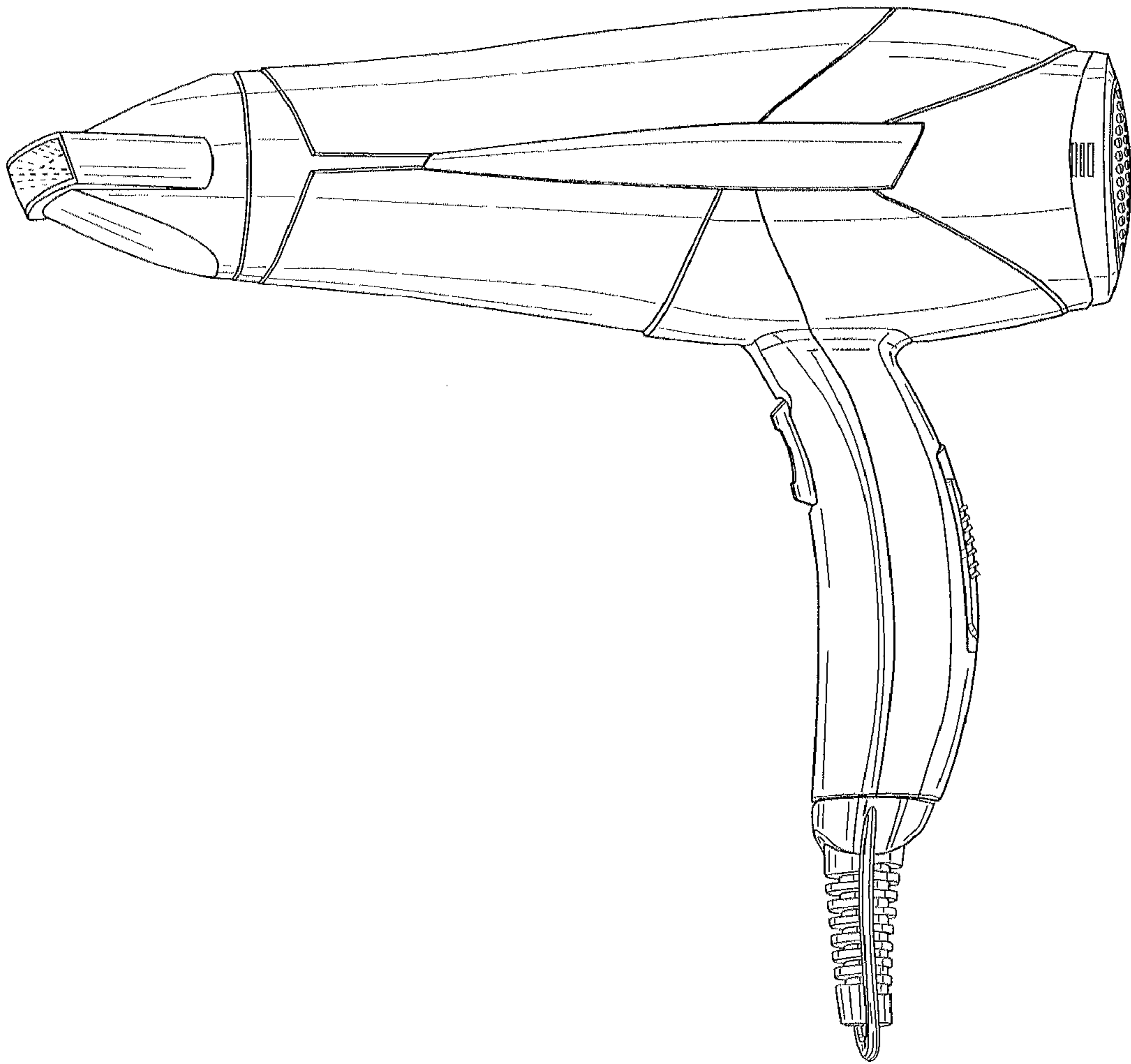


FIG. 5

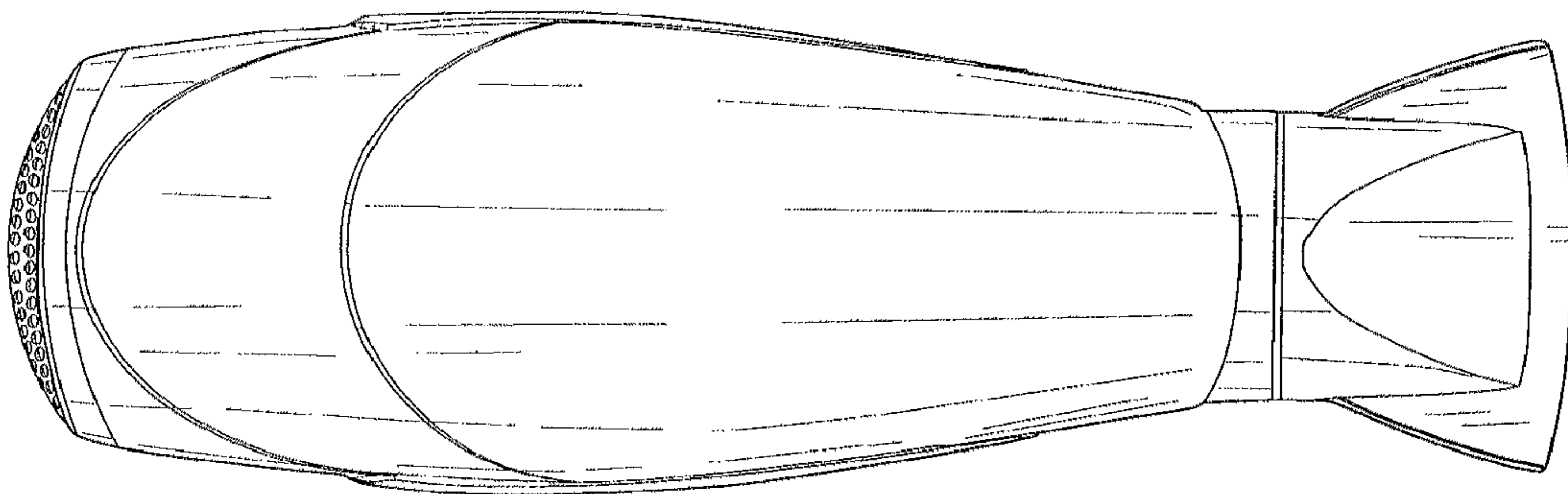


FIG. 6

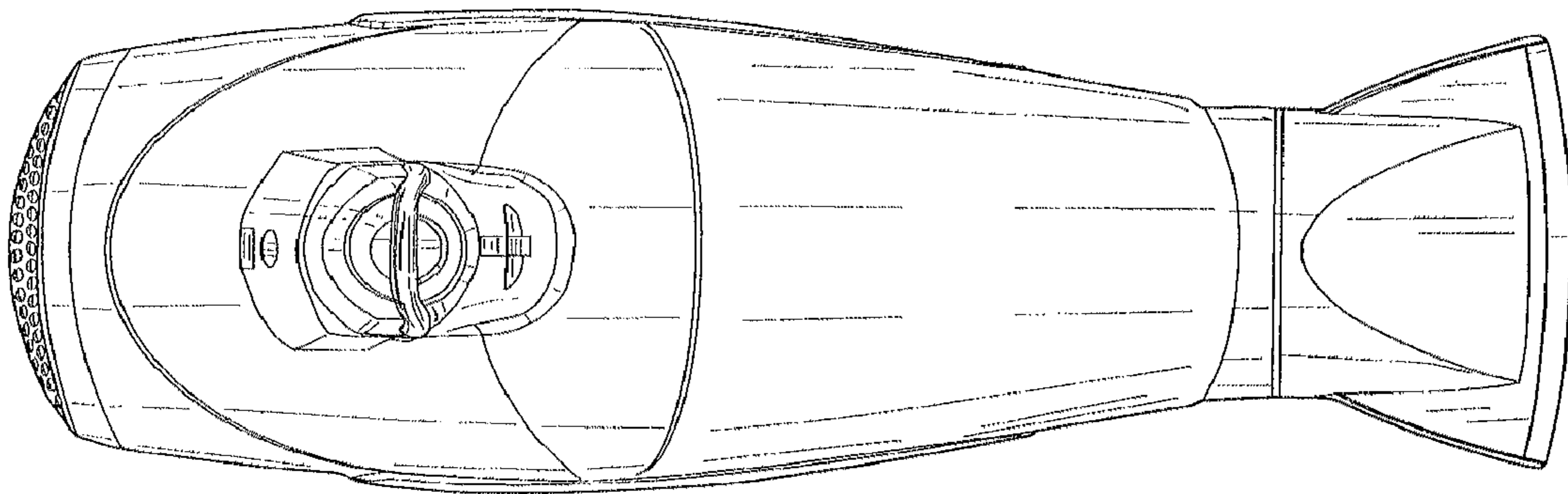


FIG. 7