



US00D672495S

(12) **United States Design Patent**
Roxbury

(10) **Patent No.:** **US D672,495 S**

(45) **Date of Patent:** **** Dec. 11, 2012**

(54) **NIGHT LIGHT COVER**

(76) Inventor: **Edward Roxbury**, Chesterfield, MI
(US)

(**) Term: **14 Years**

(21) Appl. No.: **29/424,738**

(22) Filed: **Jun. 14, 2012**

(51) **LOC (9) Cl.** **26-99**

(52) **U.S. Cl.** **D26/118**

(58) **Field of Classification Search** D26/88,
D26/91, 85, 86, 72, 74, 76, 118, 90, 134,
D26/73, 75, 119, 120, 121, 122, 113, 71,
D26/84, 128, 129, 2, 125, 78, 77, 138, 26,
D26/89, 124, 130, 9, 10, 11, 24, 25, 63, 64,
D26/65, 69, 127; 362/311.13, 249.01–249.12,
362/373, 362, 326, 247, 342, 220, 147, 148,
362/282, 339, 620, 223, 376, 219; D23/412,
D23/385, 388; 349/64, 62, 63, 65; D16/101;
D13/179, 180

See application file for complete search history.

(56) **References Cited**

U.S. PATENT DOCUMENTS

D37,512 S	8/1905	Heisey	
1,728,547 A *	9/1929	Herweg	362/566
D80,418 S *	1/1930	Hoch	D26/91
D80,934 S	4/1930	Bachman	
D91,342 S *	1/1934	Yohe	D26/24
2,183,326 A *	12/1939	Thaeler	428/11
D125,317 S *	2/1941	Sabatini	D26/88
D128,364 S *	7/1941	Cruze	D26/108
2,359,559 A	10/1944	Horky	
2,650,874 A *	9/1953	Woolven	428/8
3,048,694 A *	8/1962	Faulk	362/605
D210,553 S *	3/1968	Wilkerson	D26/94
D228,569 S	10/1973	Hermanson	

D238,295 S	12/1975	Tongson	
D240,852 S *	8/1976	Jacobsen	D26/86
D242,379 S	11/1976	Leung	
D257,568 S	11/1980	Ream	
D260,938 S *	9/1981	Zurcher	D26/91
D268,134 S *	3/1983	Zurcher	D26/91
D268,209 S	3/1983	Reistetter	
D293,723 S *	1/1988	Buttner	D26/129
D317,510 S *	6/1991	Castiglioni	D26/88
5,430,626 A *	7/1995	Leffel	362/121
D403,463 S	12/1998	Wallace	
D431,671 S	10/2000	Hsiao	
6,394,620 B1 *	5/2002	Wang	362/121
D480,171 S *	9/2003	Alduby	D26/118
D498,017 S *	11/2004	Elliott	D26/88
D510,294 S *	10/2005	Andersson	D11/125
7,540,622 B1 *	6/2009	Bechtol	362/35
D663,489 S *	7/2012	Van Dyk	D30/127

* cited by examiner

Primary Examiner — Kevin Rudzinski

(74) *Attorney, Agent, or Firm* — QuickPatents, Inc.; Kevin Prince

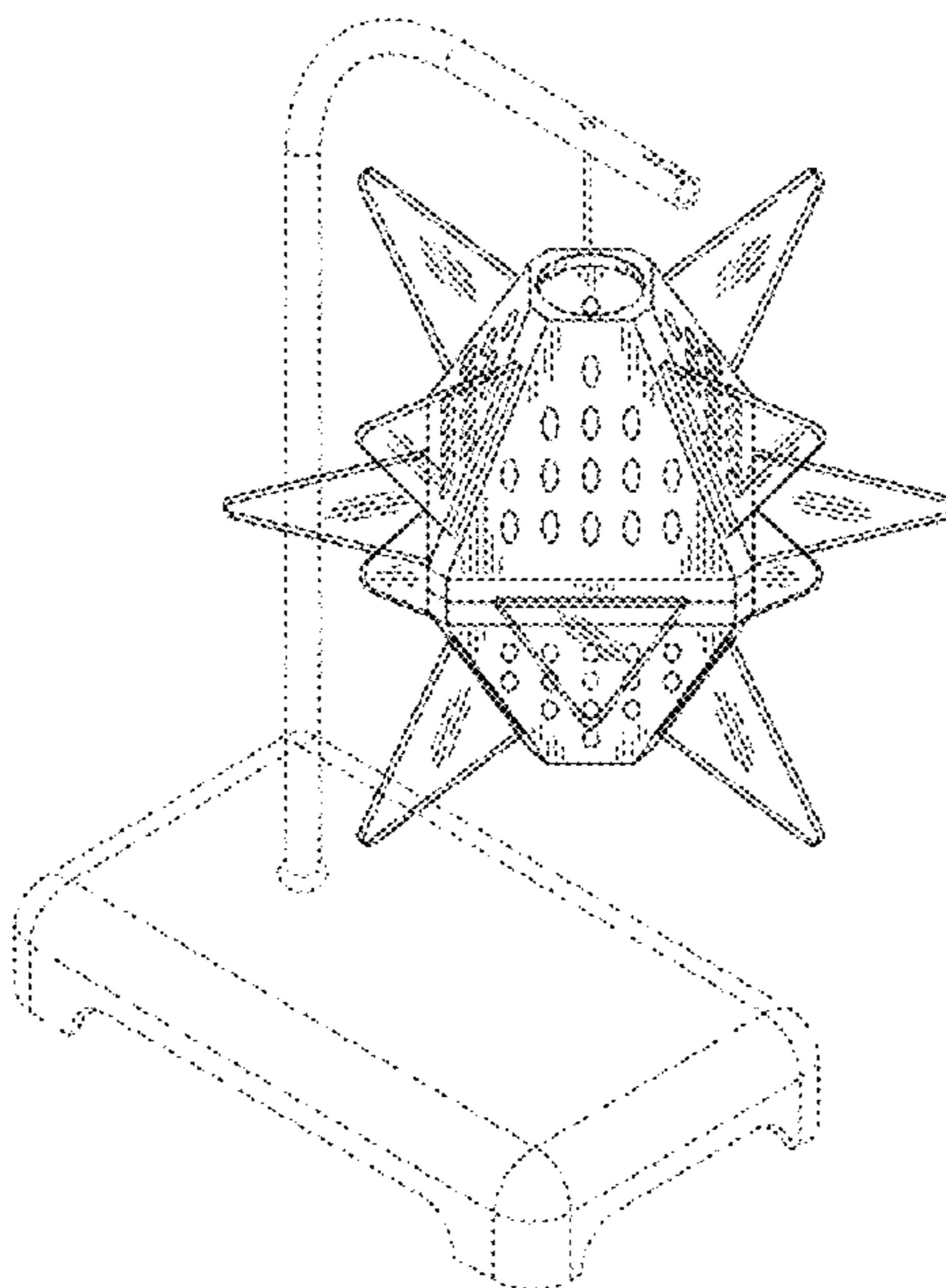
(57) **CLAIM**

I claim the ornamental design for a night light cover, as shown and described.

DESCRIPTION

FIG. 1 is a perspective view of a night light cover, showing my new design;
FIG. 2 is a front elevational view thereof, the rear elevational view, left-side elevational view, and right-side elevational view all being identical thereto; and,
FIG. 3 is a top plan view thereof, the bottom plan view being a mirror image thereof.
The broken lines showing a support in FIG. 1 depict environmental matter and form no part of the claimed design.

1 Claim, 3 Drawing Sheets



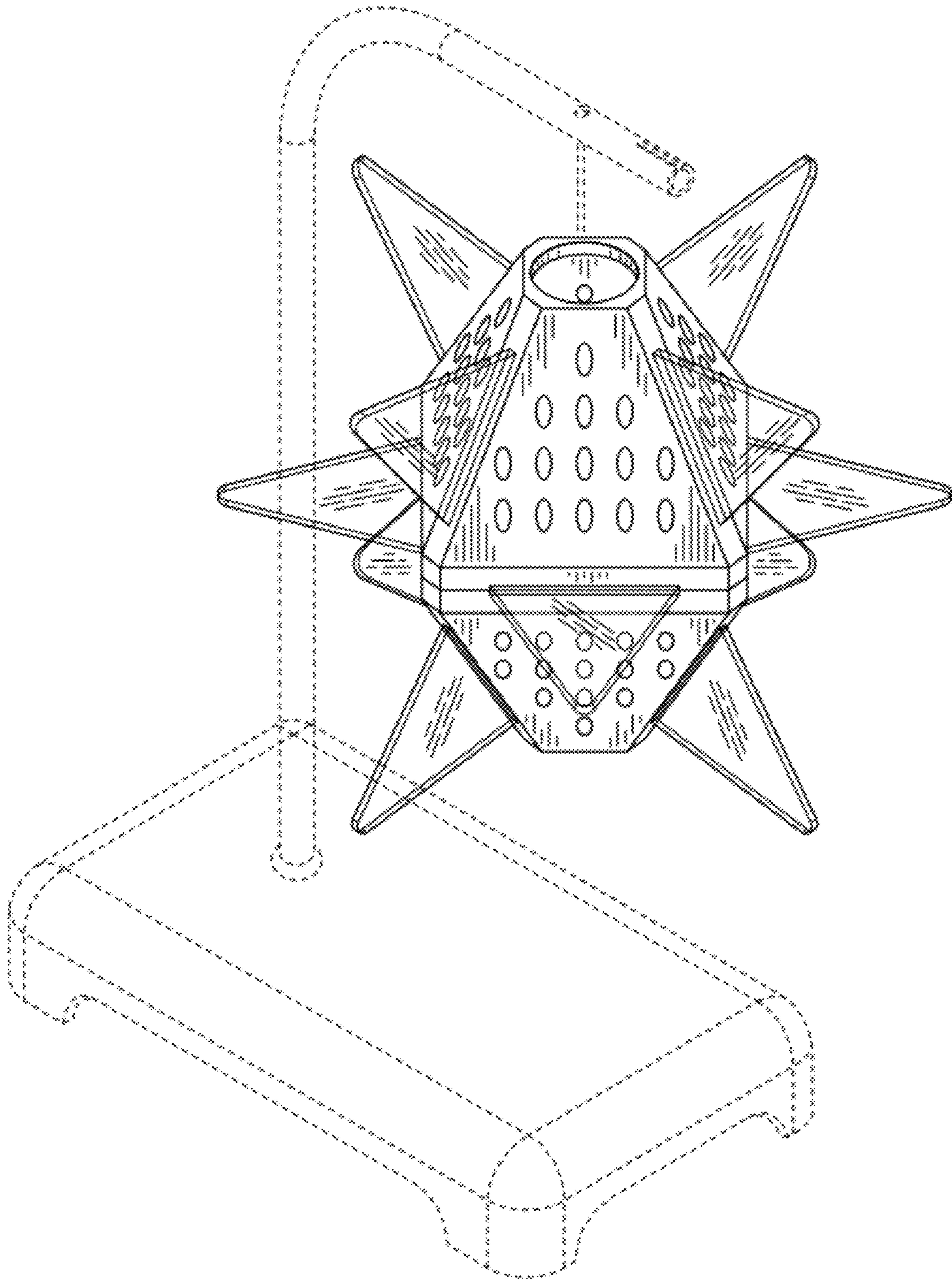


FIG. 1

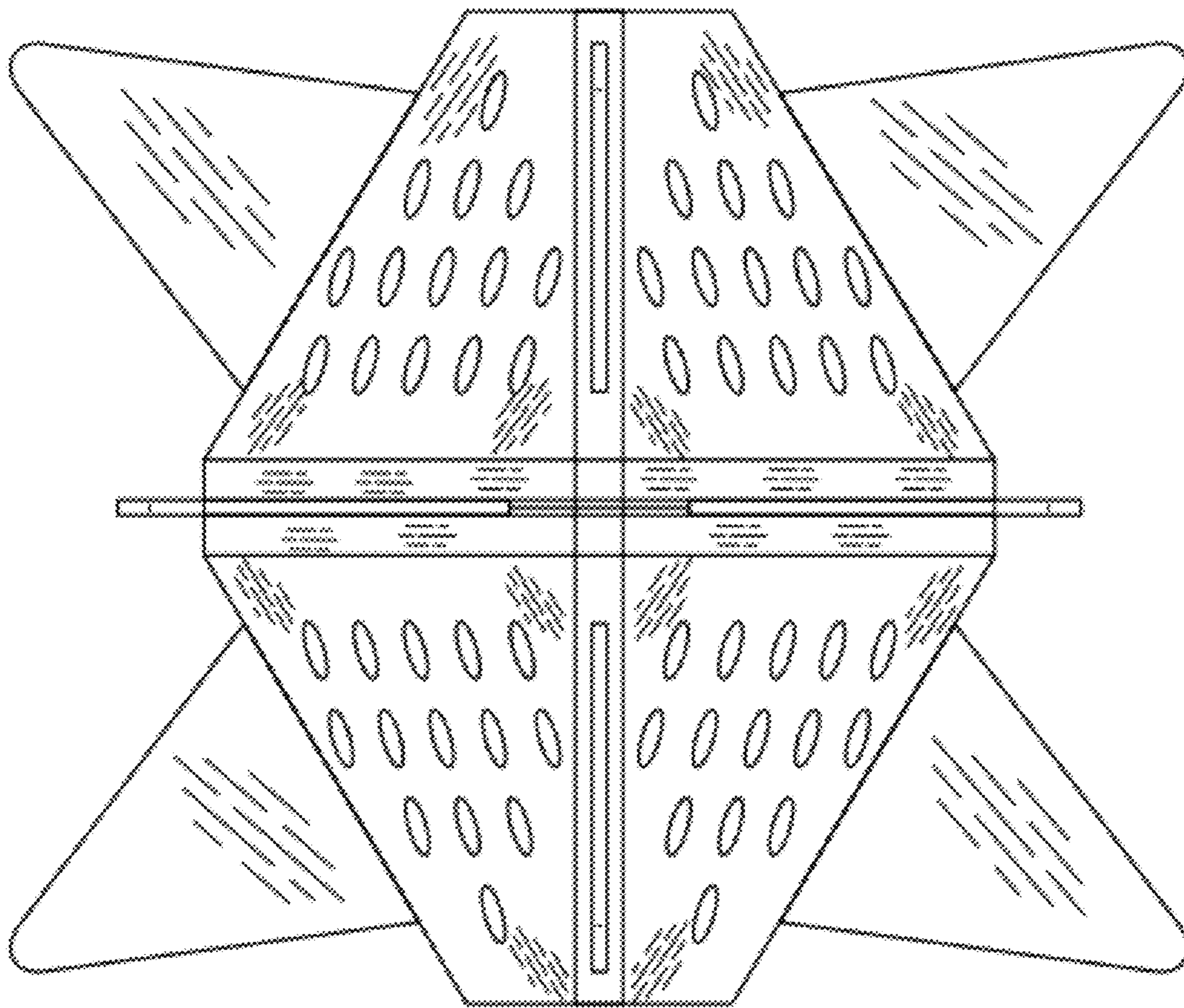


FIG. 2

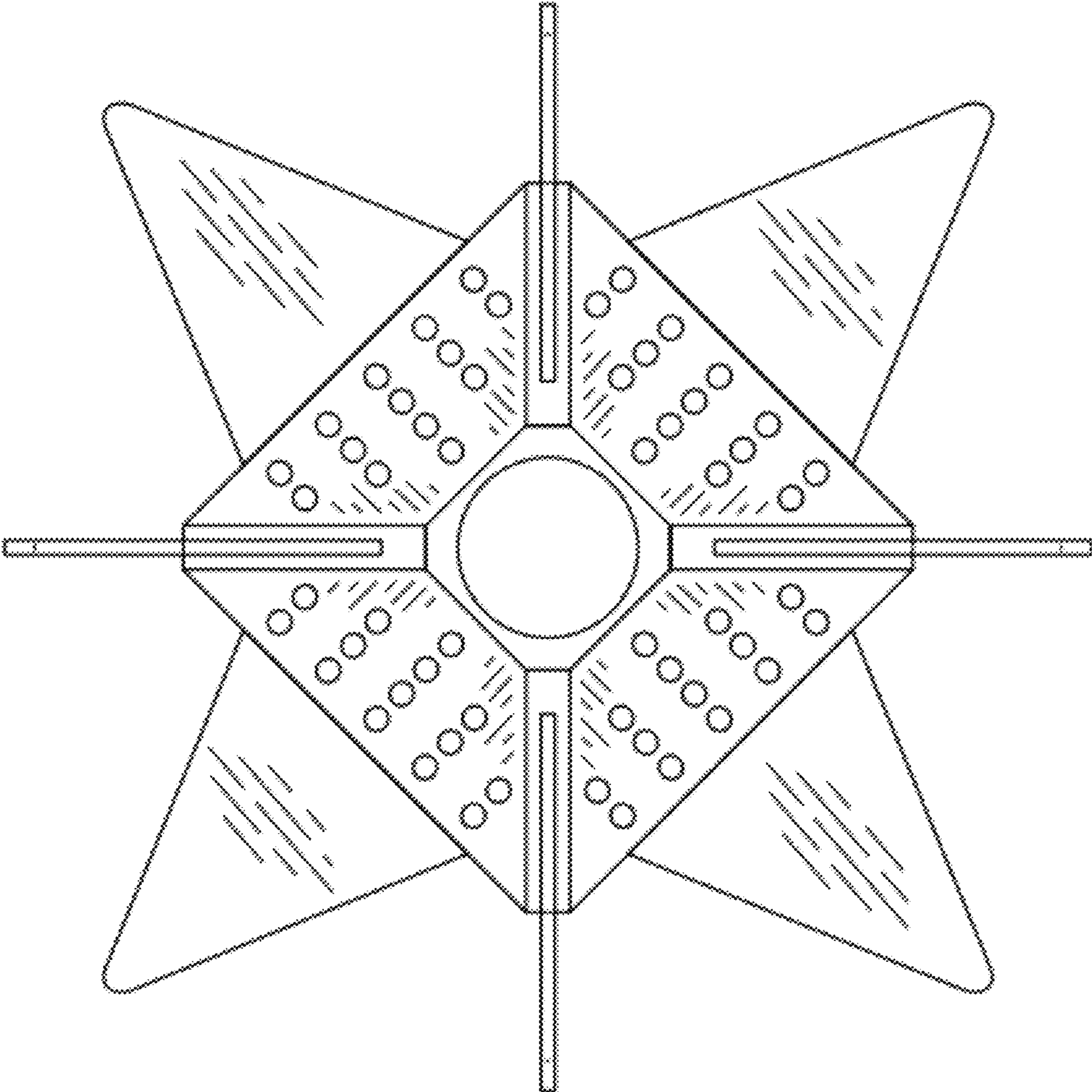


FIG. 3