



US00D672493S

(12) **United States Design Patent**  
**Lee**

(10) **Patent No.:** **US D672,493 S**

(45) **Date of Patent:** **\*\* Dec. 11, 2012**

(54) **LAMP**

(75) Inventor: **Wei-Long Lee**, Taipei (TW)

(73) Assignee: **Taiwan Oasis Technology Co., Ltd.**,  
Taipei (TW)

(\*\*) Term: **14 Years**

(21) Appl. No.: **29/400,302**

(22) Filed: **Aug. 25, 2011**

(51) **LOC (9) Cl.** ..... **26-03**

(52) **U.S. Cl.** ..... **D26/88**

(58) **Field of Classification Search** ..... D26/24,  
D26/72, 85, 88-92; 362/147, 488, 489, 490,  
362/491, 492, 493

See application file for complete search history.

(56) **References Cited**

**U.S. PATENT DOCUMENTS**

D459,525 S *	6/2002	Barry	.....	D26/88
D477,104 S *	7/2003	Wang	.....	D26/72
D484,270 S *	12/2003	Yiu	.....	D26/89
D489,466 S *	5/2004	Dohogne et al.	.....	D26/28
D492,047 S *	6/2004	Dohogne et al.	.....	D26/28
D496,487 S *	9/2004	Rhee	.....	D26/89
D547,484 S *	7/2007	Guercio	.....	D26/89
D596,784 S *	7/2009	Silver	.....	D26/91
D603,081 S *	10/2009	Boyer et al.	.....	D26/88

D632,004 S *	2/2011	Waldmann	.....	D26/88
D641,098 S *	7/2011	Wildner	.....	D26/89
D656,654 S *	3/2012	Wauters	.....	D26/89

\* cited by examiner

*Primary Examiner* — Clare E Heflin

(74) *Attorney, Agent, or Firm* — Jackson IPG PLLC

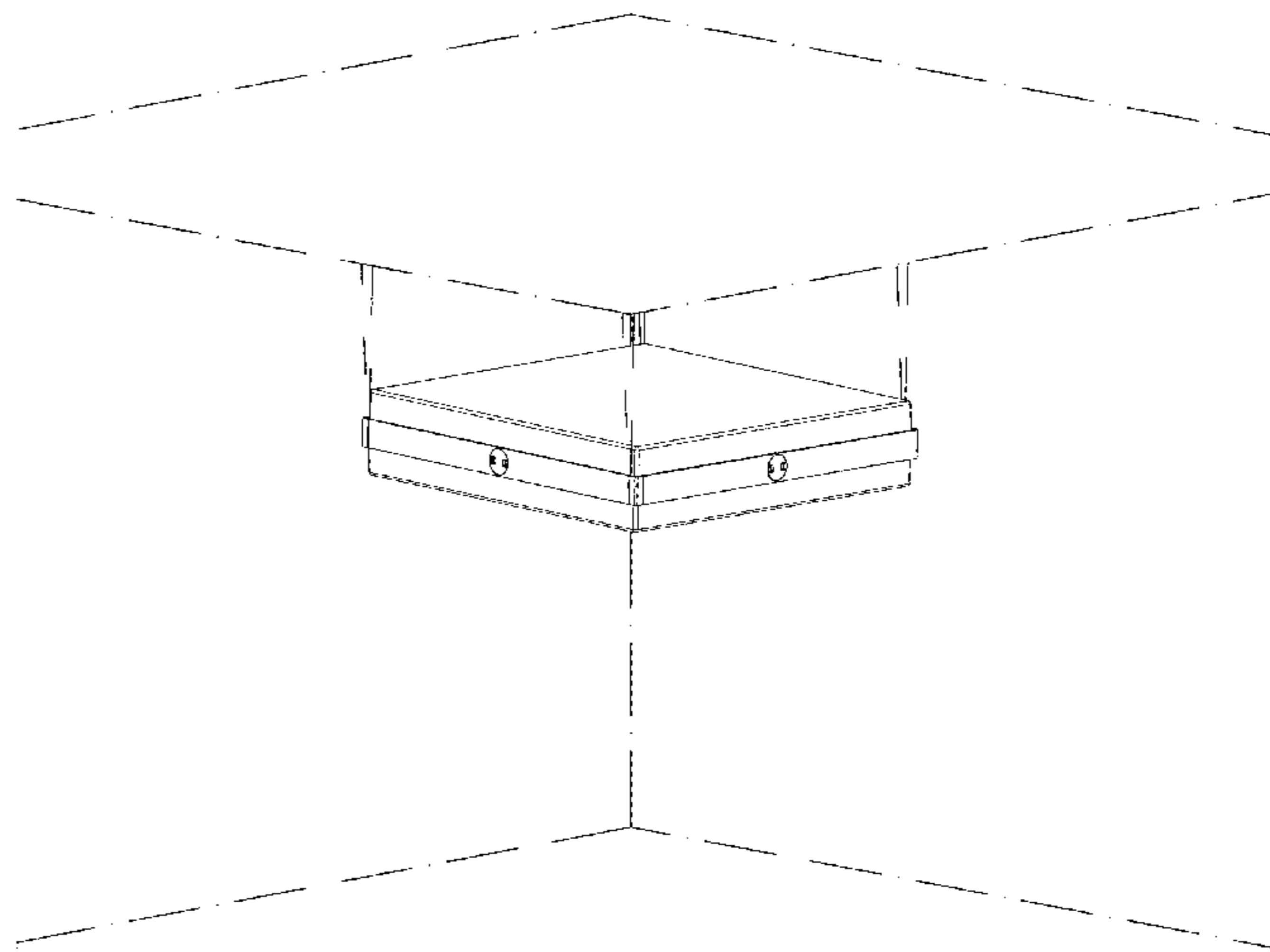
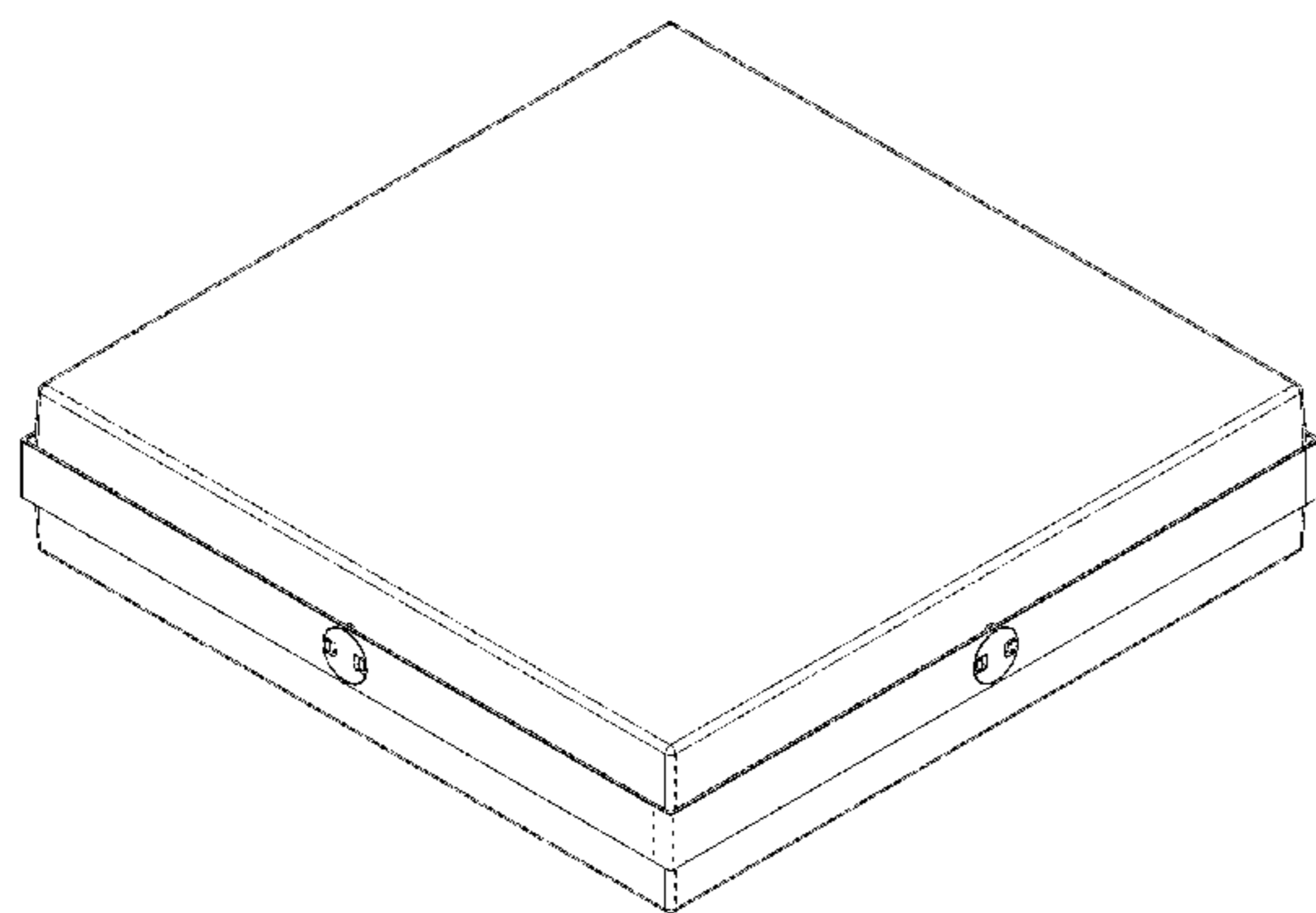
(57) **CLAIM**

The ornamental design for a lamp, as shown and described.

**DESCRIPTION**

FIG. 1 is a front view of a lamp showing the new design;  
 FIG. 2 is a rear view thereof;  
 FIG. 3 is a left side view thereof;  
 FIG. 4 is a right side view thereof;  
 FIG. 5 is a top view thereof;  
 FIG. 6 is a bottom view thereof;  
 FIG. 7 is a perspective view thereof;  
 FIG. 8 is a perspective view thereof showing the lamp recess mounted;  
 FIG. 9 is a perspective view thereof showing the lamp flush mounted; and,  
 FIG. 10 is a perspective view thereof showing the lamp suspension mounted.  
 The broken lines shown on the drawings depict environment only and form no part of the claimed design.

**1 Claim, 10 Drawing Sheets**



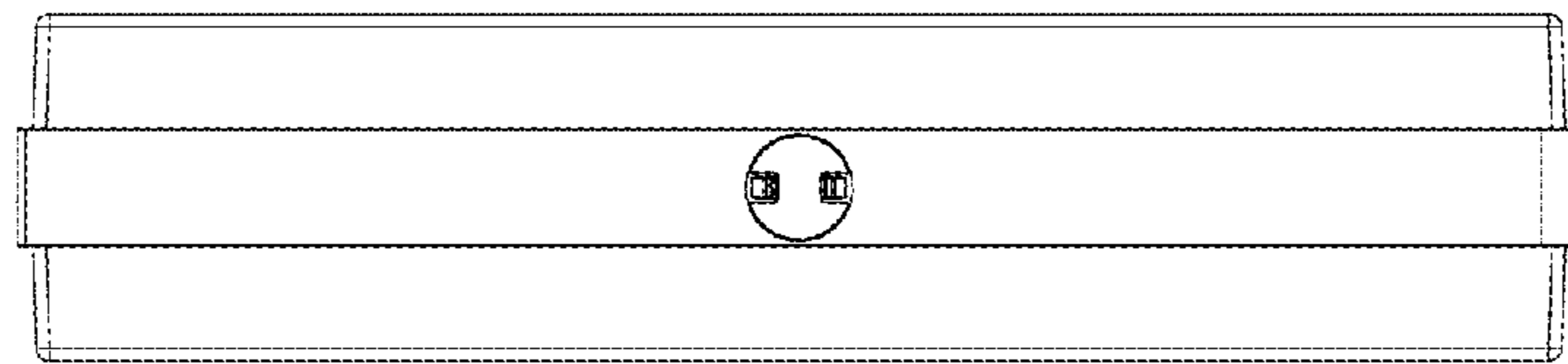


Fig. 1

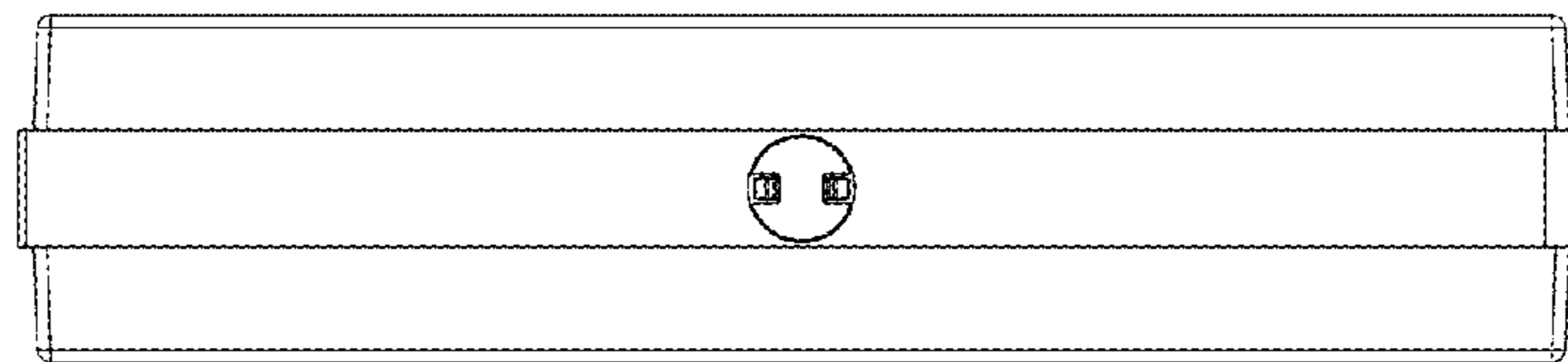


Fig. 2

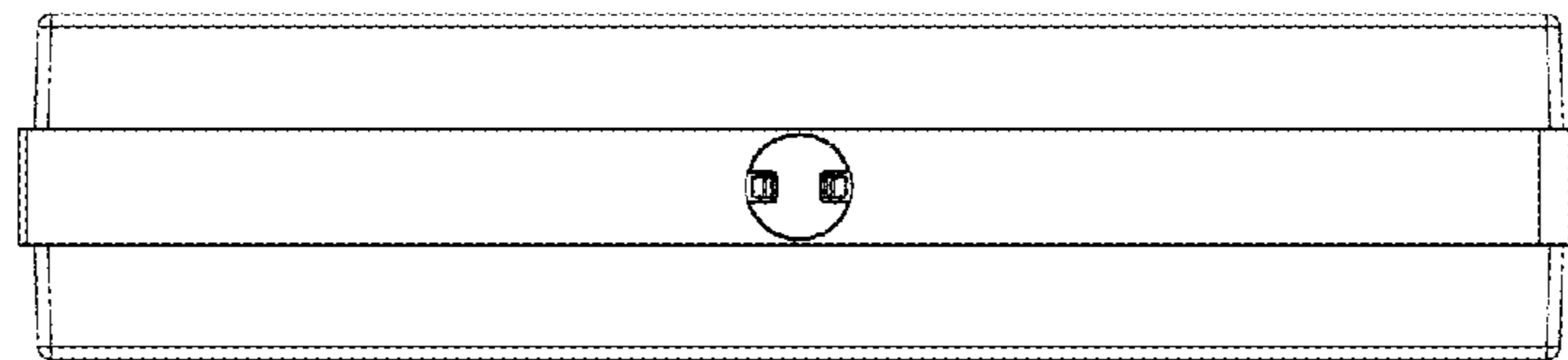


Fig. 3

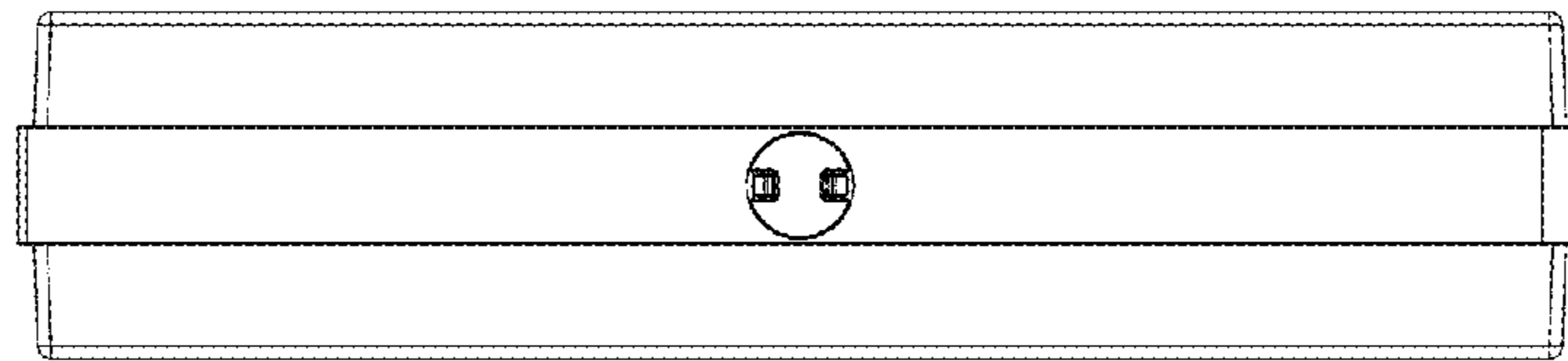


Fig. 4

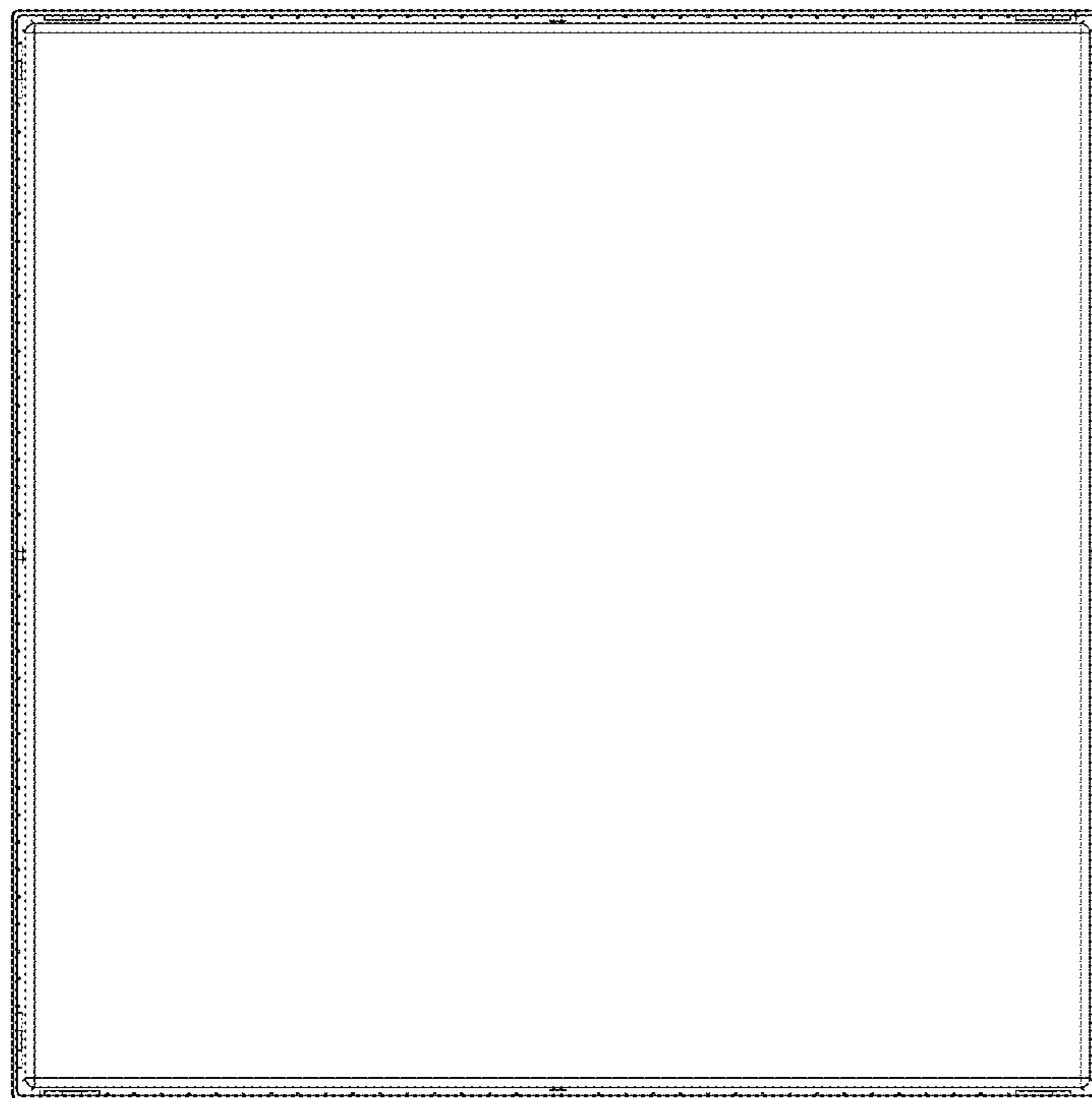


Fig. 5

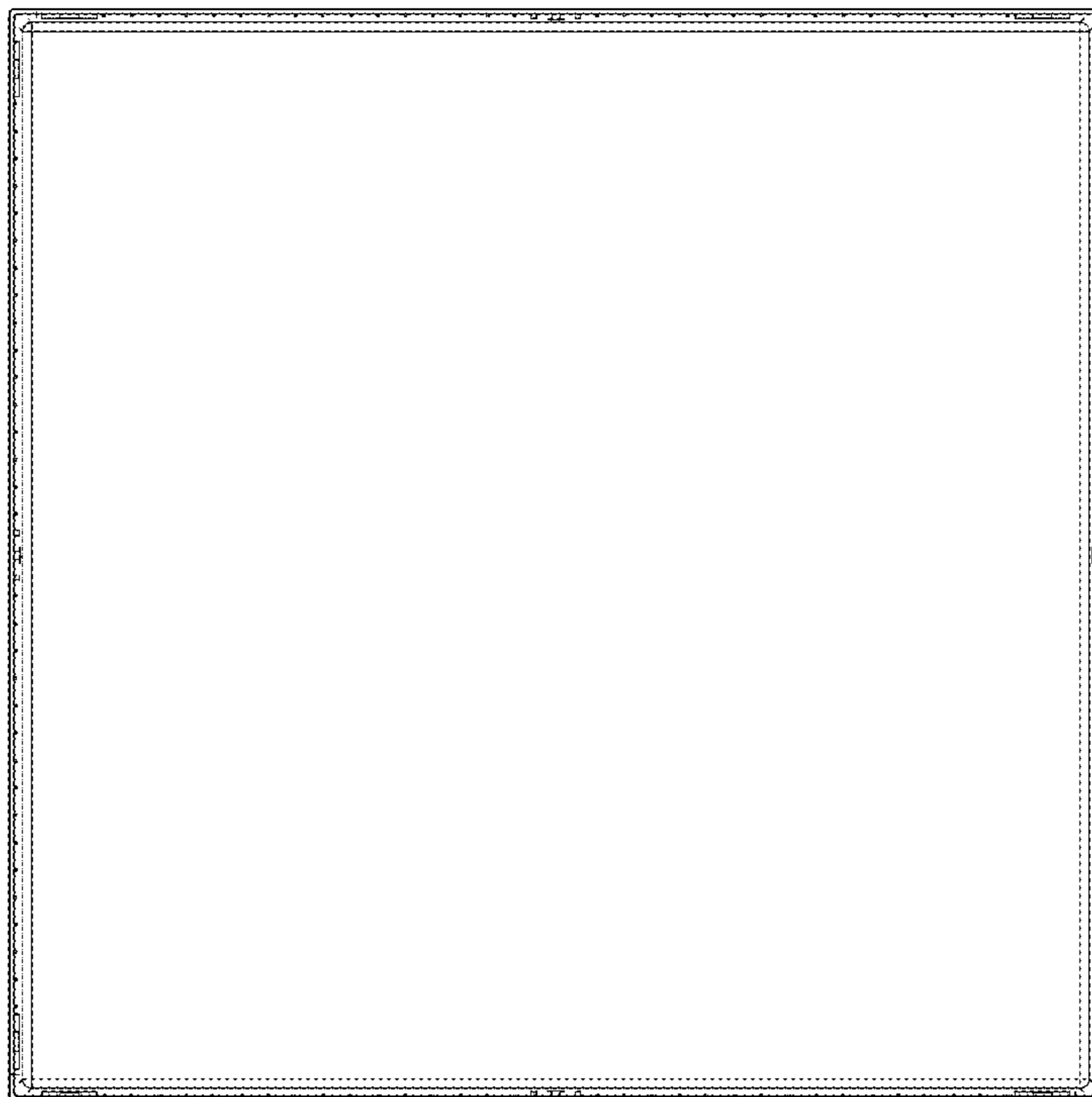


Fig. 6

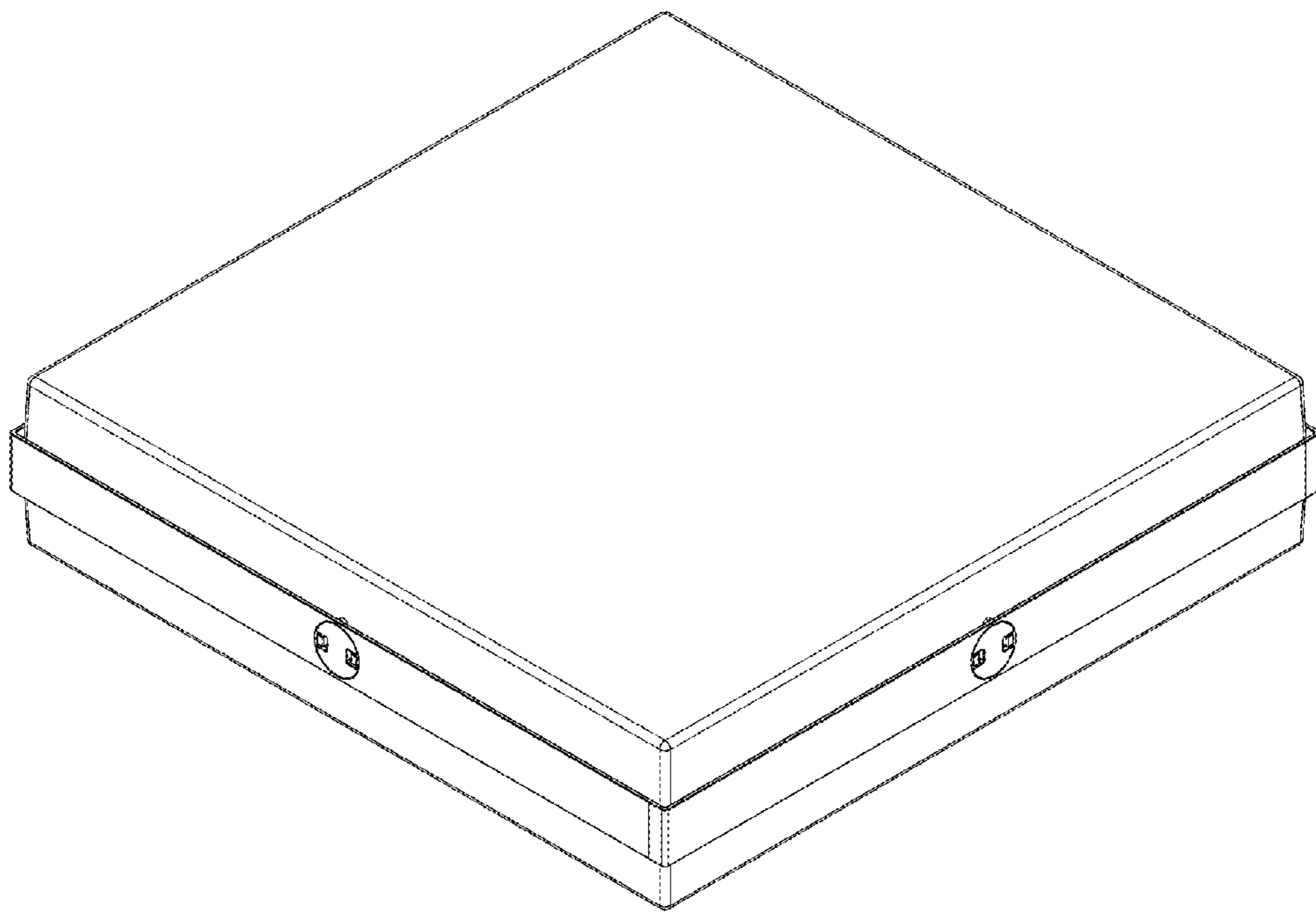


Fig. 7



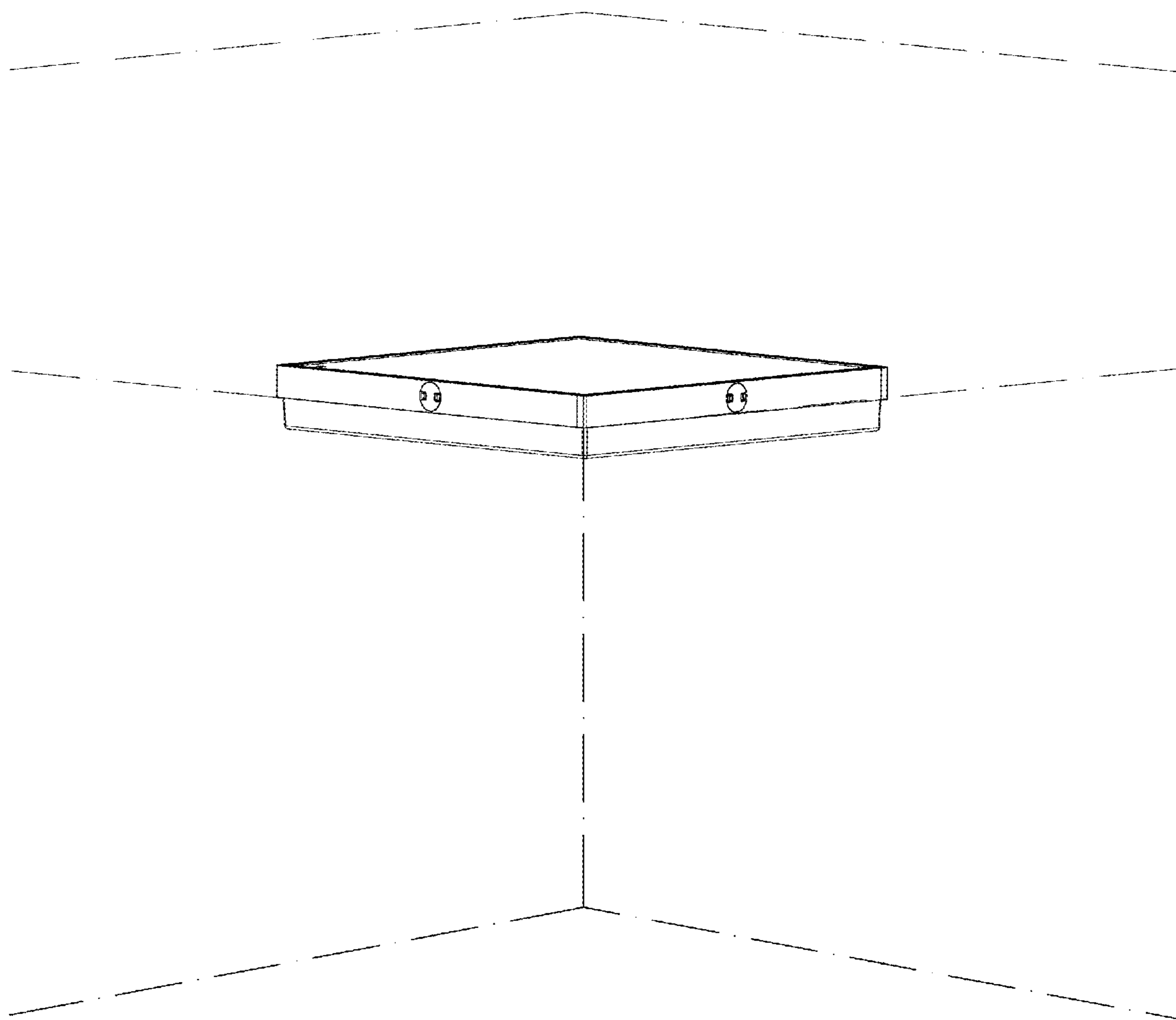


Fig. 8

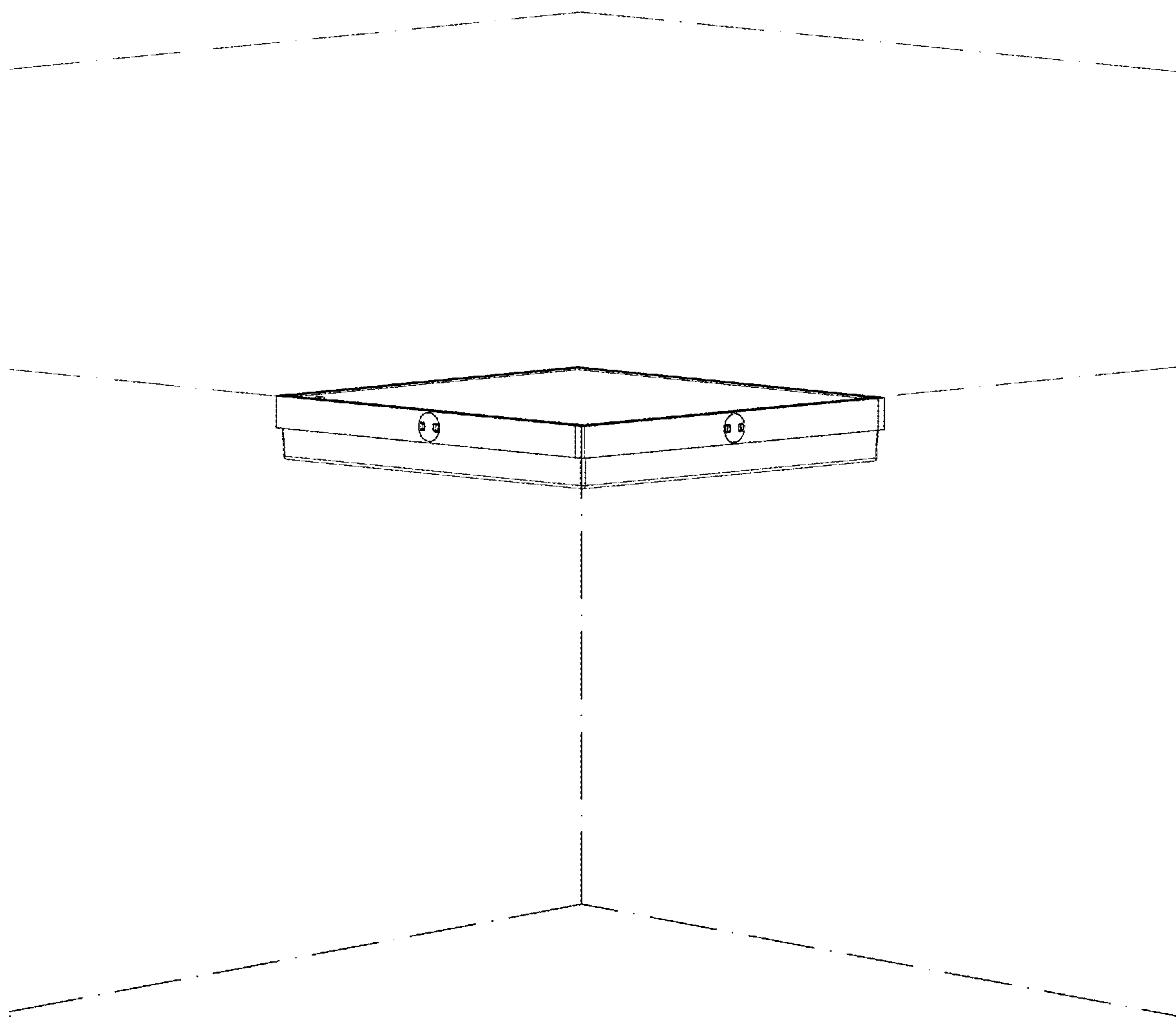


Fig. 9

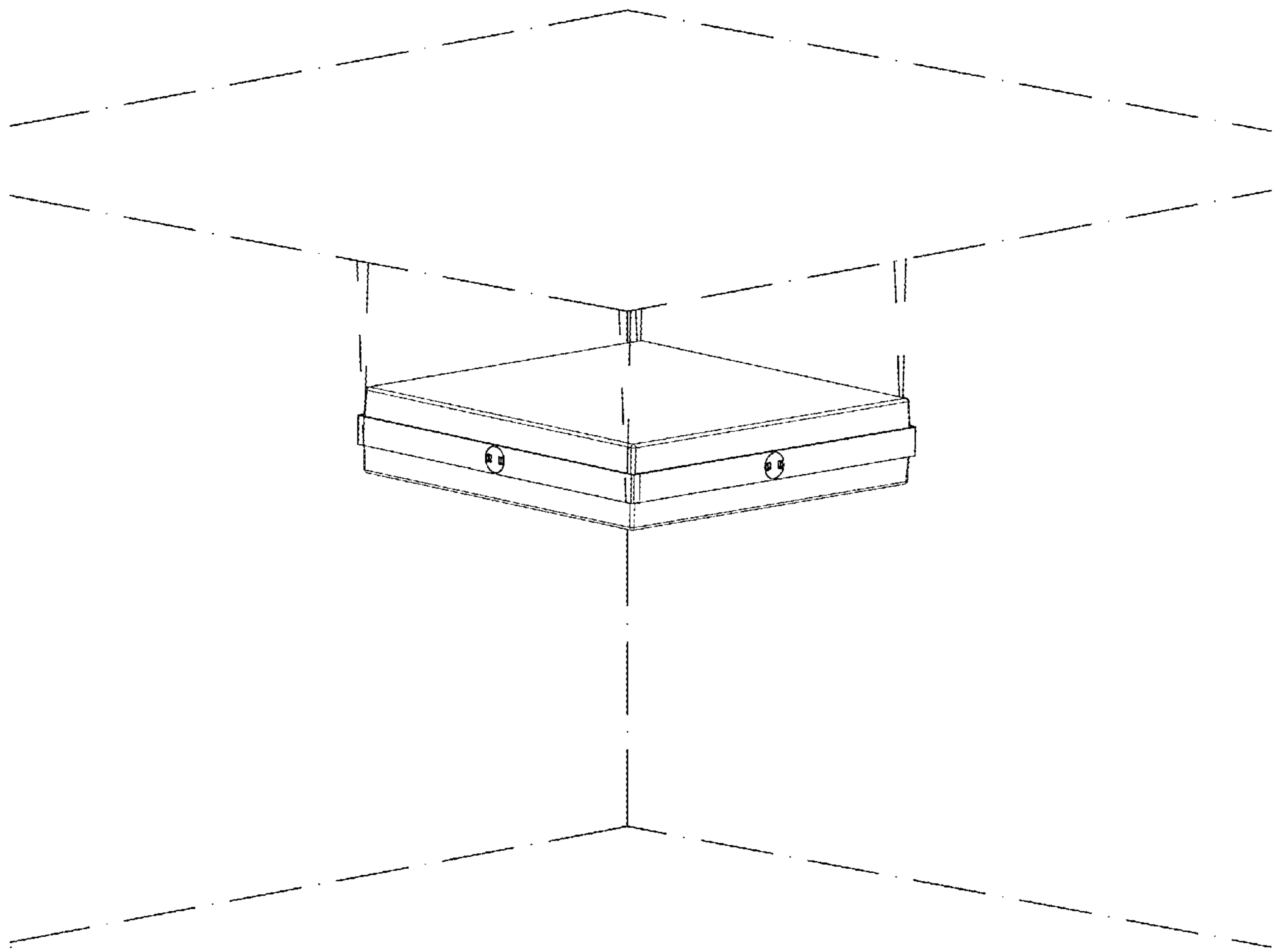


Fig. 10