



US00D672492S

(12) **United States Design Patent**  
**Butler et al.**

(10) **Patent No.:** **US D672,492 S**

(45) **Date of Patent:** **\*\* Dec. 11, 2012**

(54) **LIGHT FIXTURE**

(75) Inventors: **Doyle Scott Butler**, Dunwoody, GA (US); **Daniel Vincent Sekowski**, Loganville, GA (US)

(73) Assignee: **ABL IP Holding LLC**, Conyers, GA (US)

(\*\*) Term: **14 Years**

(21) Appl. No.: **29/421,140**

(22) Filed: **May 30, 2012**

D603,077 S	10/2009	Kinnune et al.
7,637,630 B2	12/2009	Wilcox et al.
7,641,363 B1	1/2010	Chang et al.
D610,733 S	2/2010	Chang
7,677,768 B2	3/2010	Huang et al.
7,682,055 B2	3/2010	Shuai et al.
D614,791 S	4/2010	Nibaldi
7,695,161 B2	4/2010	Zhang et al.
7,695,163 B2	4/2010	Yamada et al.
7,699,498 B2	4/2010	Zheng
D615,233 S	5/2010	Josefowicz et al.
D615,234 S	5/2010	Oblak
D615,235 S	5/2010	Zheng
D615,690 S	5/2010	Zheng et al.
D616,592 S	5/2010	Chen

(Continued)

**Related U.S. Application Data**

(62) Division of application No. 29/373,707, filed on May 13, 2011, now Pat. No. Des. 663,462.

(51) **LOC (9) Cl.** ..... **26-05**

(52) **U.S. Cl.** ..... **D26/71; D26/92**

(58) **Field of Classification Search** ..... D26/67-71, D26/92; 362/102, 120, 183, 249.02, 431  
See application file for complete search history.

*Primary Examiner* — Clare E Heflin

(74) *Attorney, Agent, or Firm* — Kilpatrick Townsend & Stockton LLP

(57) **CLAIM**

The ornamental design for a light fixture, as shown and described.

**DESCRIPTION**

FIG. 1 is a top perspective view of a light fixture, showing our new design.

FIG. 2 is a right side view of the light fixture of FIG. 1, the left side view being a mirror image of the right side view.

FIG. 3 is a front view of the light fixture of FIG. 1.

FIG. 4 is a rear view of the light fixture of FIG. 1.

FIG. 5 is a top plan view of the light fixture of FIG. 1.

FIG. 6 is a bottom plan view of the light fixture of FIG. 1; and,

FIG. 7 is a bottom perspective view of the light fixture of FIG. 1.

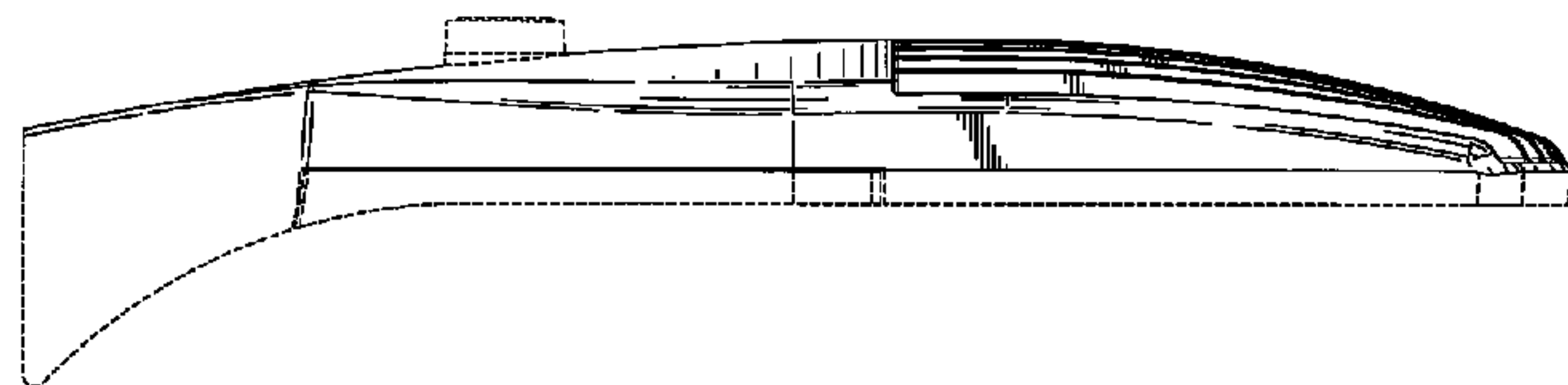
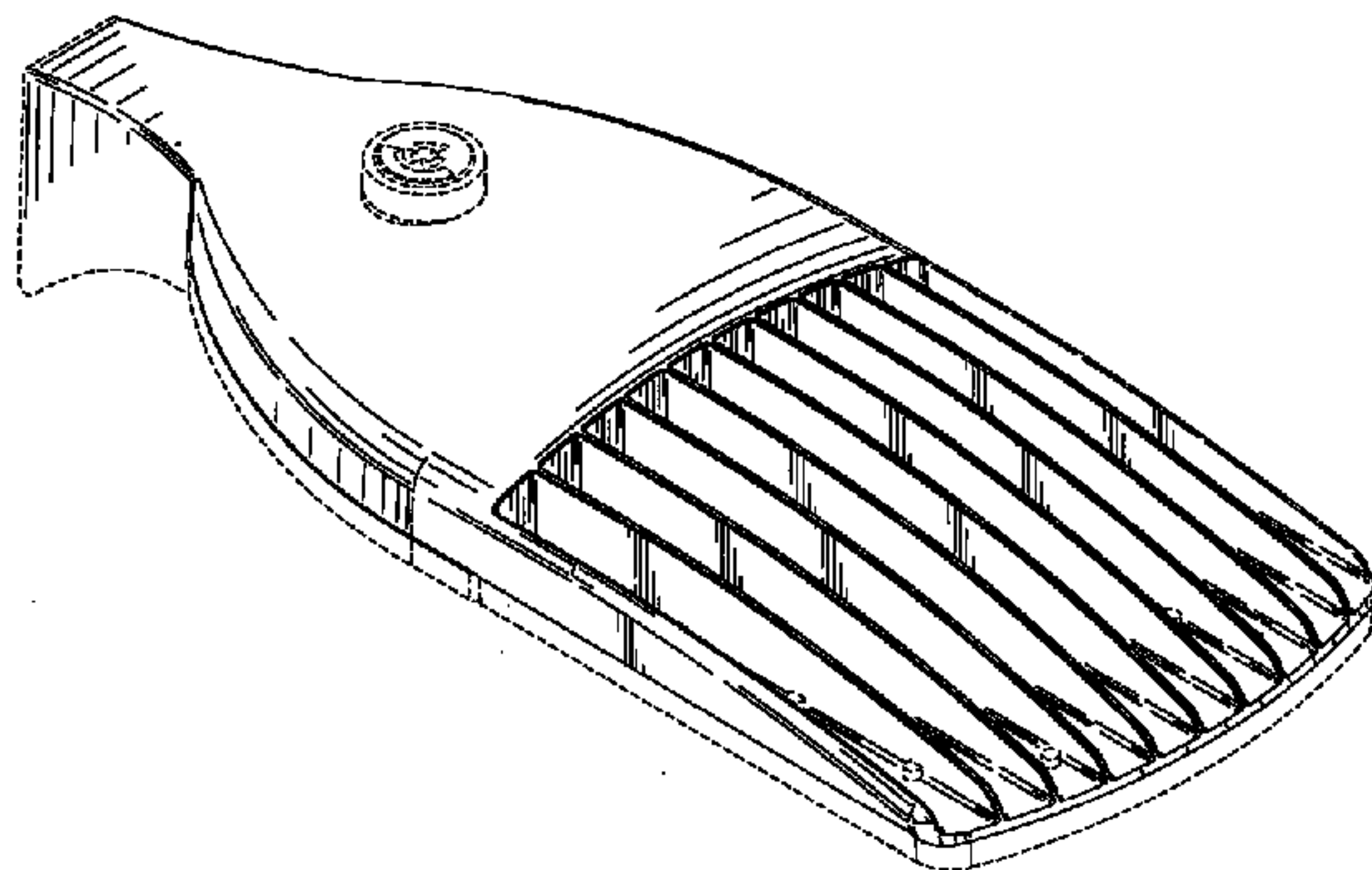
In the drawings, the broken lines form no part of the claimed design.

**1 Claim, 5 Drawing Sheets**

(56) **References Cited**

**U.S. PATENT DOCUMENTS**

D195,310 S	5/1963	Zagel
D195,583 S	7/1963	Phillips
D220,778 S	5/1971	Jablonski
D391,659 S	3/1998	Gaskins et al.
7,329,030 B1	2/2008	Wang
D573,741 S	7/2008	Lou
7,420,811 B2	9/2008	Chan
D580,582 S	11/2008	Fan
D598,156 S	8/2009	Xiao et al.
D598,160 S	8/2009	Boyer et al.
D599,939 S	9/2009	Zheng et al.
D599,942 S	9/2009	Zheng
D601,292 S	9/2009	Yan et al.



# US D672,492 S

Page 2

## U.S. PATENT DOCUMENTS

D619,748 S	7/2010	Jong	D652,557 S	1/2012	Boissevain et al.
7,758,211 B2	7/2010	Zheng et al.	D652,978 S *	1/2012	Boissevain et al. .... D26/71
D622,433 S	8/2010	Waters	8,113,687 B2	2/2012	Villard et al.
D622,888 S	8/2010	Chakravarty et al.	D663,462 S *	7/2012	Butler et al. .... D26/71
7,771,088 B2	8/2010	Chen	2009/0046460 A1	2/2009	Li
7,775,692 B2	8/2010	Li	2009/0213588 A1	8/2009	Manes
7,794,116 B2	9/2010	Shuai et al.	2009/0237930 A1	9/2009	Li
7,832,898 B2	11/2010	Li	2009/0244895 A1	10/2009	Chen
D632,416 S	2/2011	Wright et al.	2009/0251898 A1	10/2009	Kinnune et al.
D634,875 S	3/2011	Jiang et al.	2009/0310356 A1	12/2009	Laporte
D636,920 S	4/2011	Boissevain	2009/0310363 A1	12/2009	Liu et al.
D636,929 S	4/2011	Kong et al.	2009/0323343 A1	12/2009	Wang
7,922,372 B2	4/2011	Li	2010/0027269 A1	2/2010	Lo et al.
D642,724 S	8/2011	Galipeau et al.	2010/0039827 A1	2/2010	Li
D644,370 S	8/2011	Lickiss	2010/0079991 A1	4/2010	Zhang
8,007,142 B2	8/2011	Ku et al.	2010/0085751 A1	4/2010	Shaner
8,021,026 B2	9/2011	Liu et al.	2010/0195333 A1	8/2010	Schaefer et al.
D648,473 S	11/2011	Lin et al.	2010/0246179 A1	9/2010	Long et al.
D648,885 S	11/2011	Toratani	2010/0271822 A1	10/2010	Luo et al.

\* cited by examiner

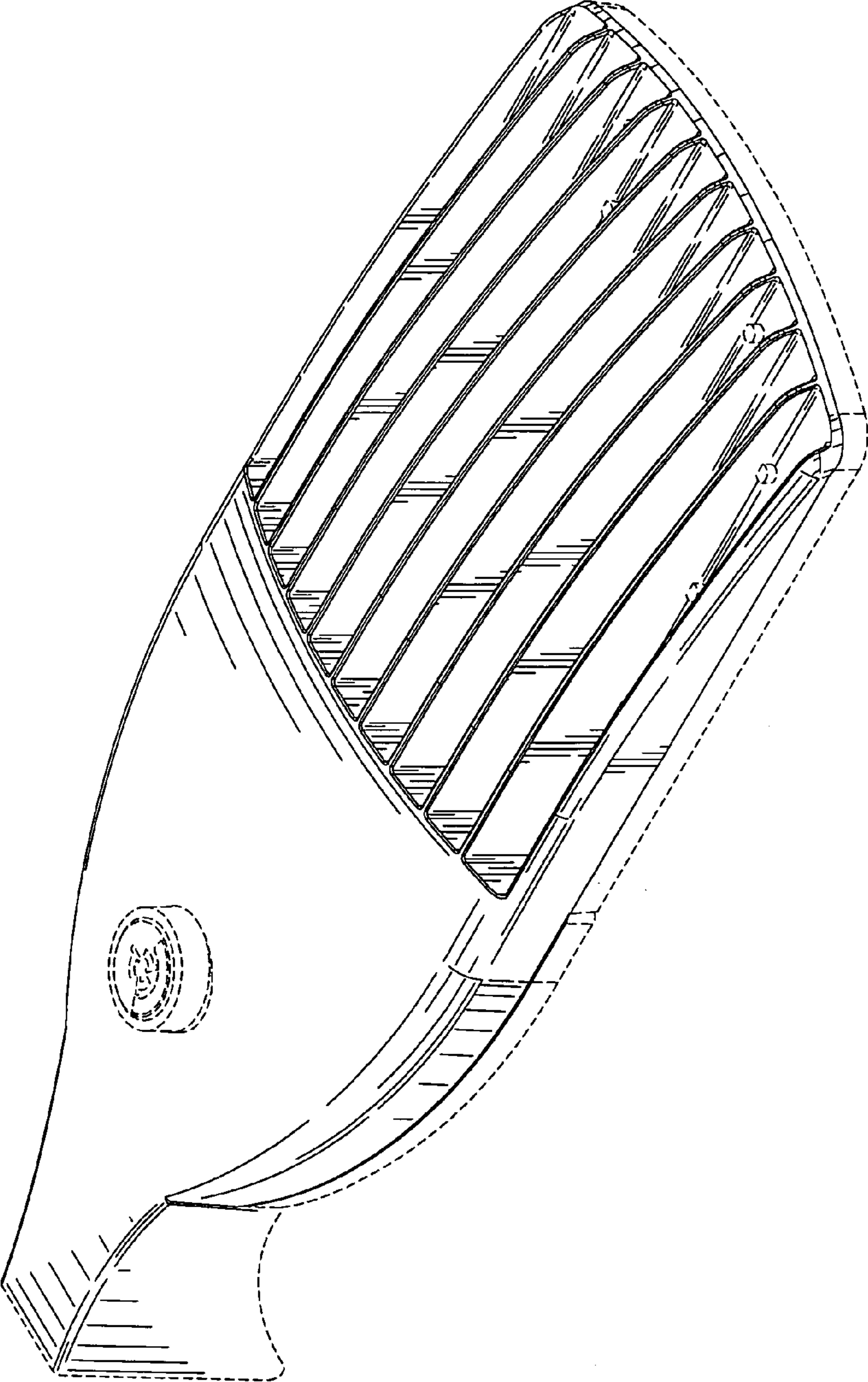


FIG. 1

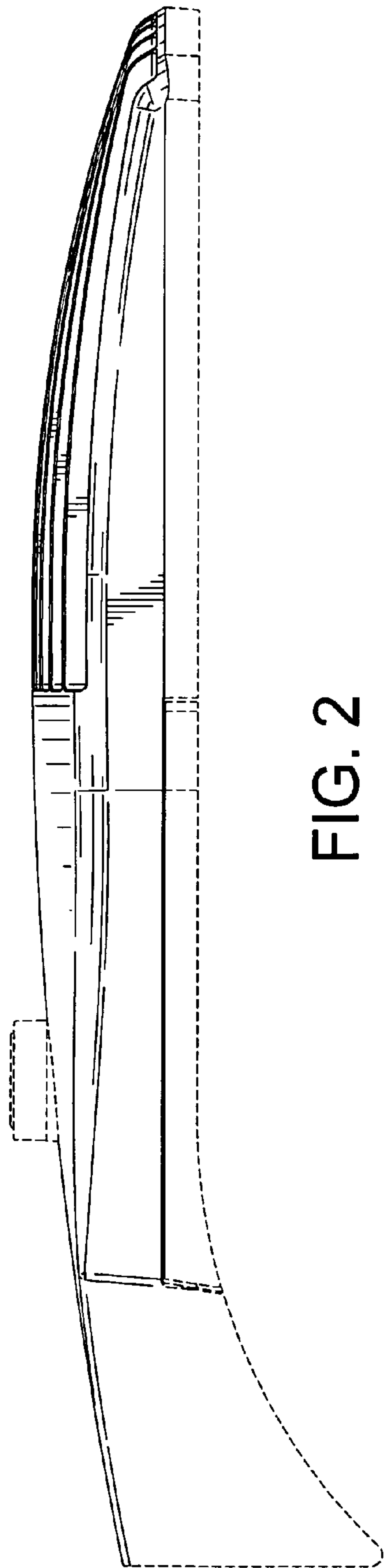


FIG. 2

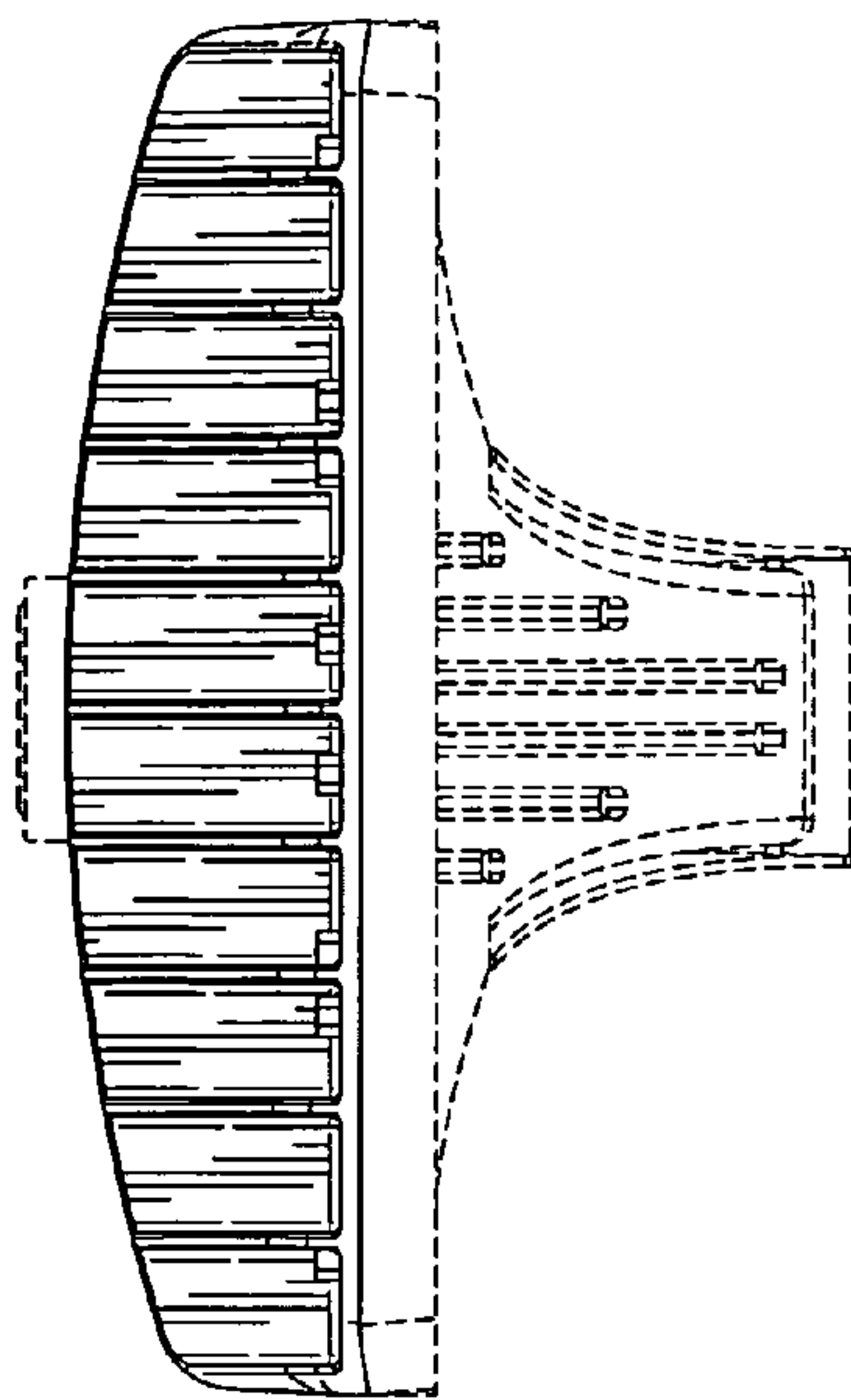


FIG. 3

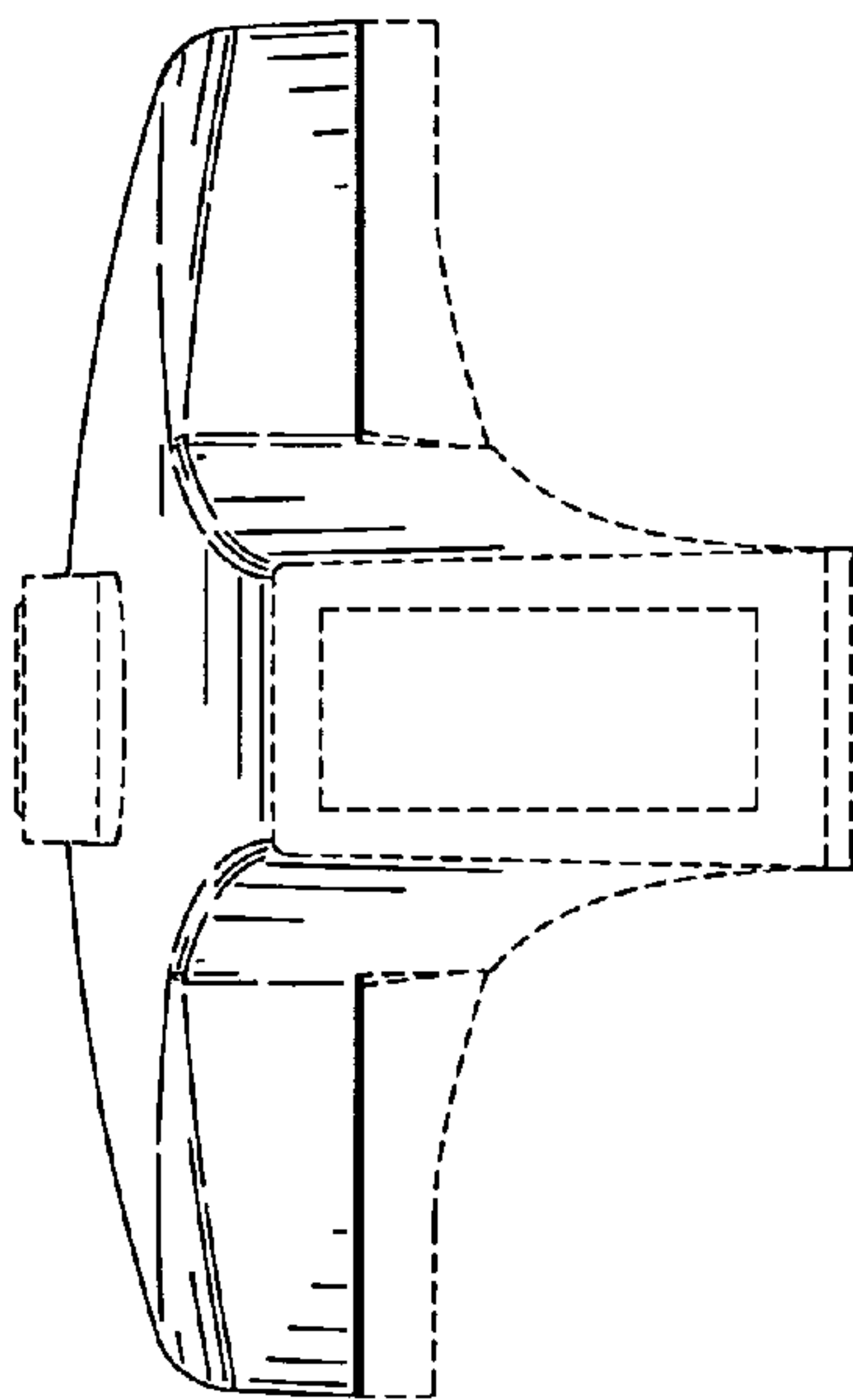


FIG. 4



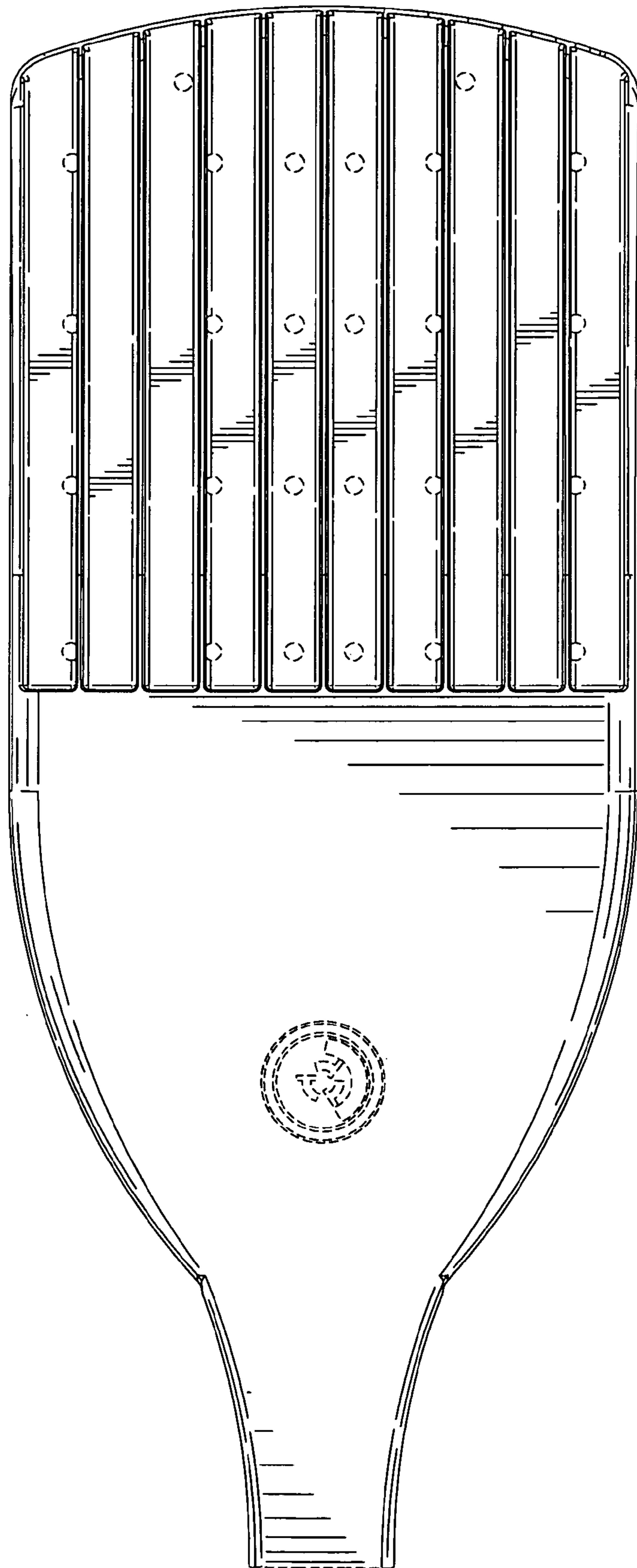


FIG. 5

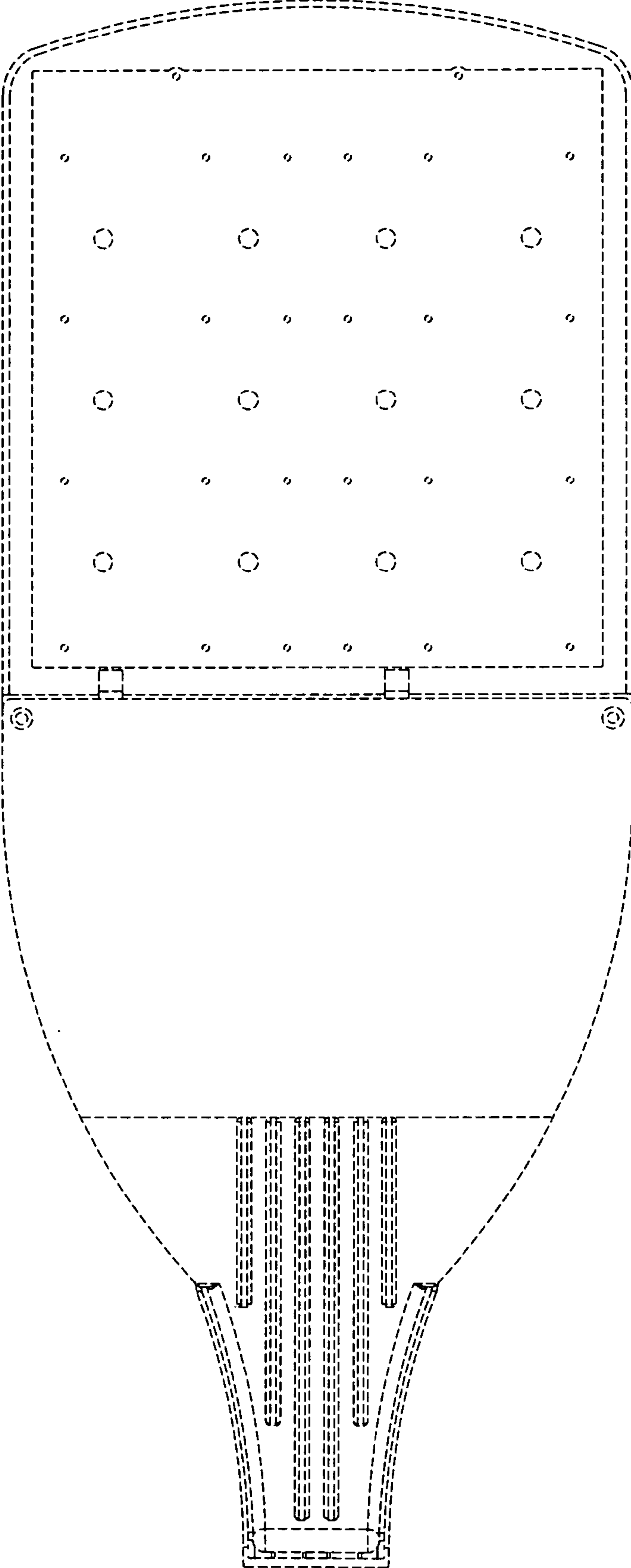


FIG. 6

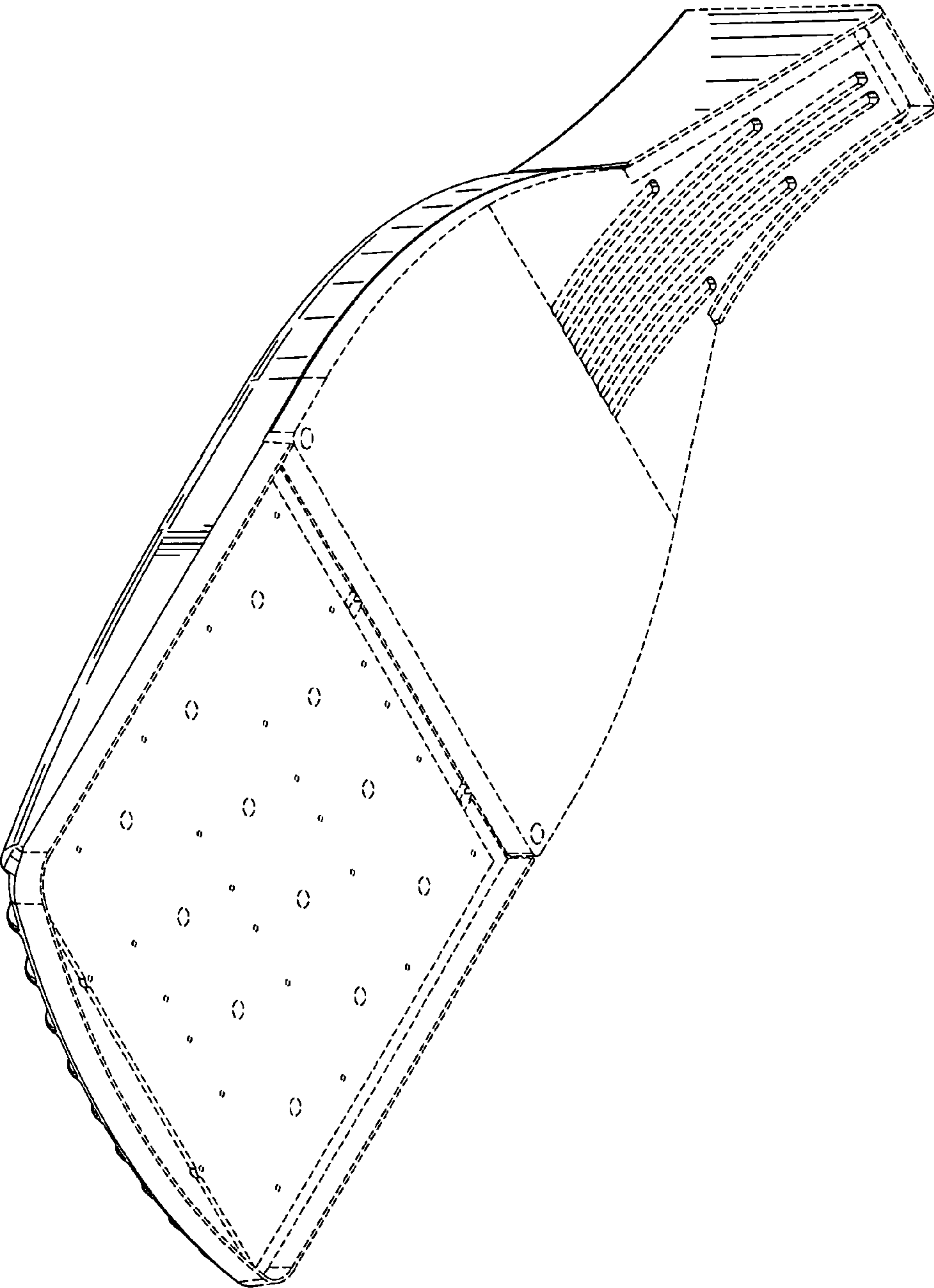


FIG. 7