



US00D672490S

(12) **United States Design Patent**
Connolly et al.

(10) **Patent No.:** **US D672,490 S**

(45) **Date of Patent:** **** Dec. 11, 2012**

(54) **LIGHT FIXTURE**

(75) Inventors: **Karl L. Connolly**, Brigham City, UT (US); **Landon T. Gwilliam**, Salt Lake City, UT (US)

(73) Assignee: **Orbit Irrigation Products, Inc.**, North Salt Lake, UT (US)

(**) Term: **14 Years**

(21) Appl. No.: **29/412,149**

(22) Filed: **Jan. 31, 2012**

(51) **LOC (9) Cl.** **26-05**

(52) **U.S. Cl.** **D26/68**

(58) **Field of Classification Search** D26/67-71,
D26/85, 125, 128, 135; 347/147, 183, 431,
347/432, 373, 294, 249.02

See application file for complete search history.

(56) **References Cited**

U.S. PATENT DOCUMENTS

3,833,804	A *	9/1974	Vesely	362/291
D328,502	S *	8/1992	Hartman	D26/68
D406,374	S *	3/1999	Porter	D26/68
D408,573	S *	4/1999	Kay	D26/68
D411,895	S *	7/1999	Houston	D26/68
6,357,892	B1 *	3/2002	Beadle	362/267
D551,791	S *	9/2007	Sanoner	D26/68
D557,849	S *	12/2007	Chen	D26/67
D561,371	S *	2/2008	Milicia	D26/68
D615,683	S *	5/2010	Chen	D26/68

D640,406	S *	6/2011	Harshaw	D26/67
D652,975	S *	1/2012	Harshaw	D26/67
D659,273	S *	5/2012	Biancuzzo et al.	D26/67

OTHER PUBLICATIONS

China Hat copper landscape path light model#EUM1114 from Euro Style Lighting. Found at website: eurostylelighting.com visited Jul. 11, 2012.*

Hinkley Olde Bronze low voltage path light model #EU53839 found at eurostylelighting.com visited Jul. 11, 2012.*

Excerpts of Kichler Lighting Catalog (Attachment A hereto) published at least by Summer of 2009.

* cited by examiner

Primary Examiner — Clare E Heflin

(74) *Attorney, Agent, or Firm* — Austin Rapp & Hardman

(57) **CLAIM**

The ornamental design for a light fixture, as shown and described.

DESCRIPTION

FIG. 1 is an elevated perspective view of a light fixture, according to our new design;

FIG. 2 is a lower perspective view of the light fixture;

FIG. 3 is a first side view of the light fixture;

FIG. 4 is a second side view of the light fixture;

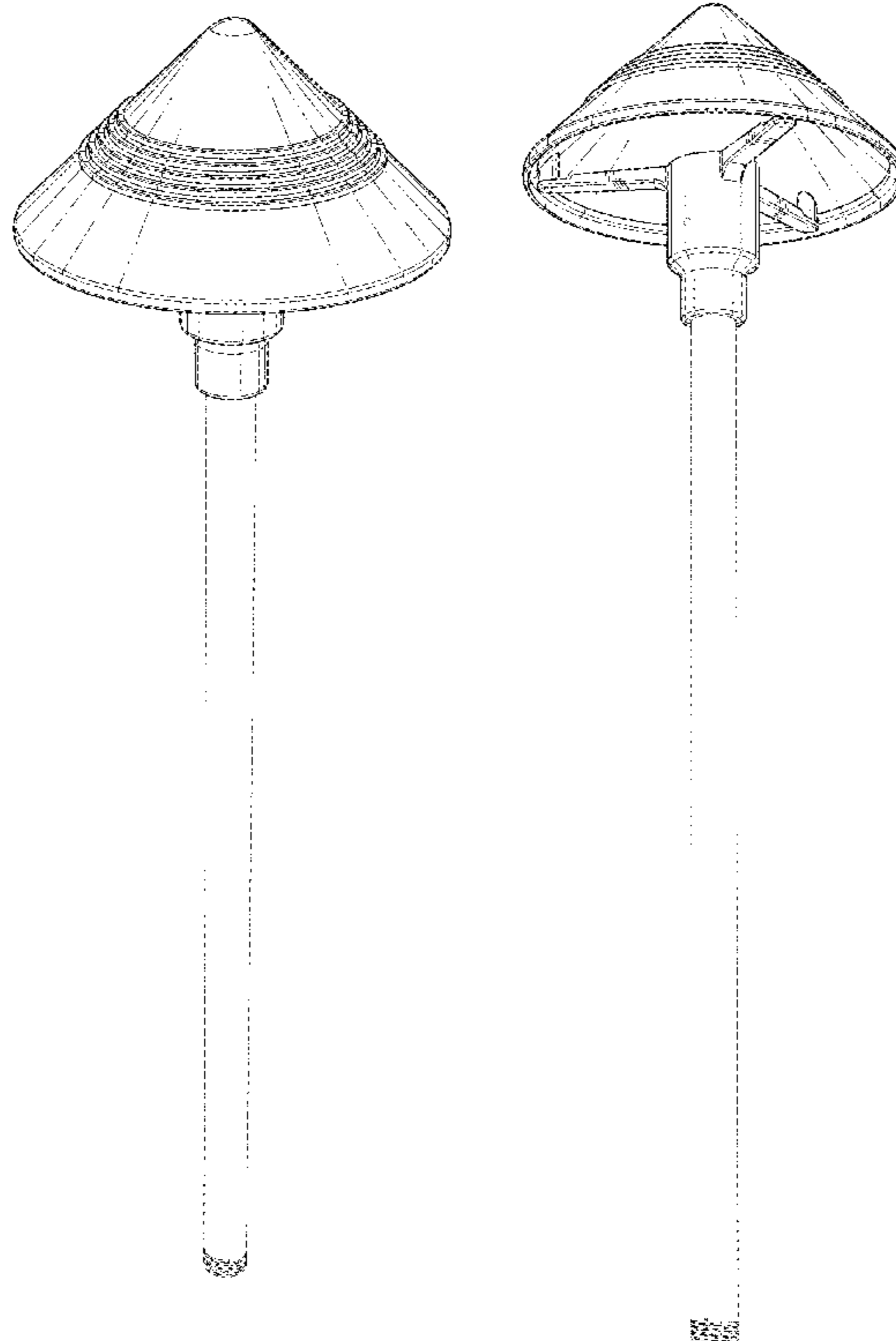
FIG. 5 is a third side view of the light fixture;

FIG. 6 is a top view of the light fixture; and,

FIG. 7 is a bottom view of the light fixture.

The portions shown in broken lines comprise environmental structure only and form no part of the claimed design.

1 Claim, 3 Drawing Sheets



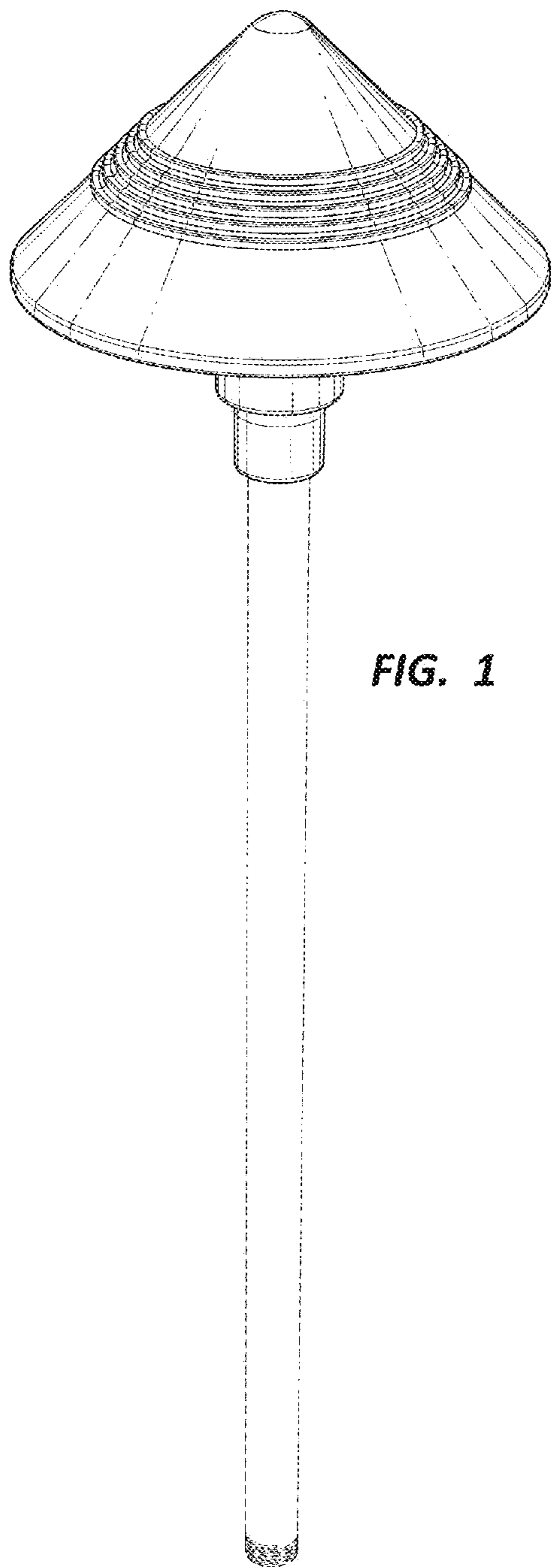


FIG. 1

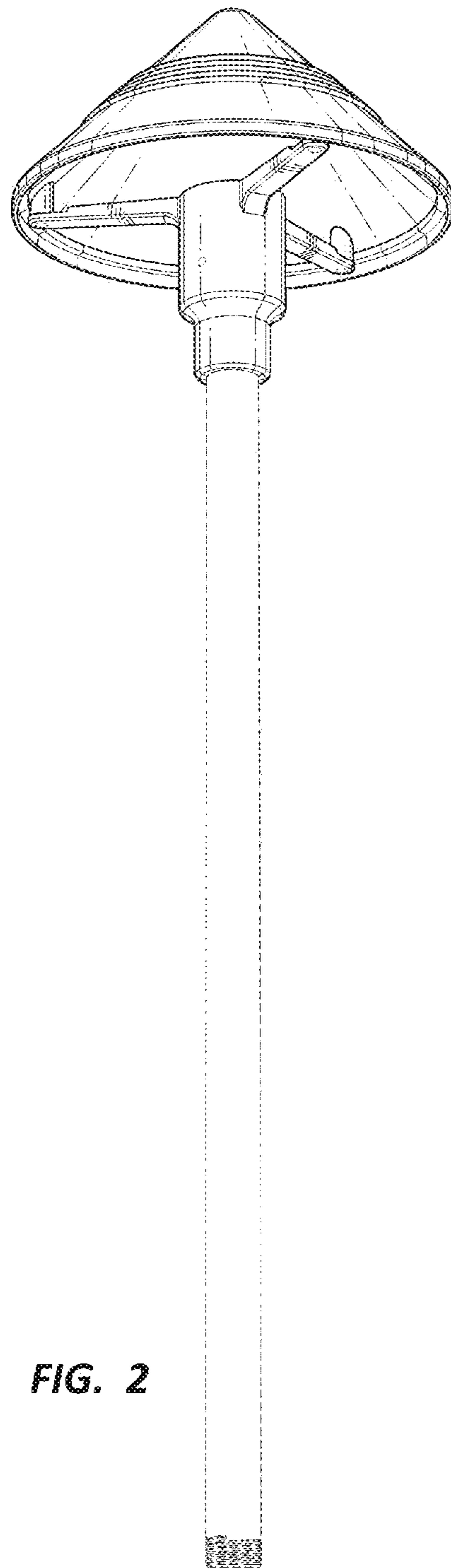


FIG. 2

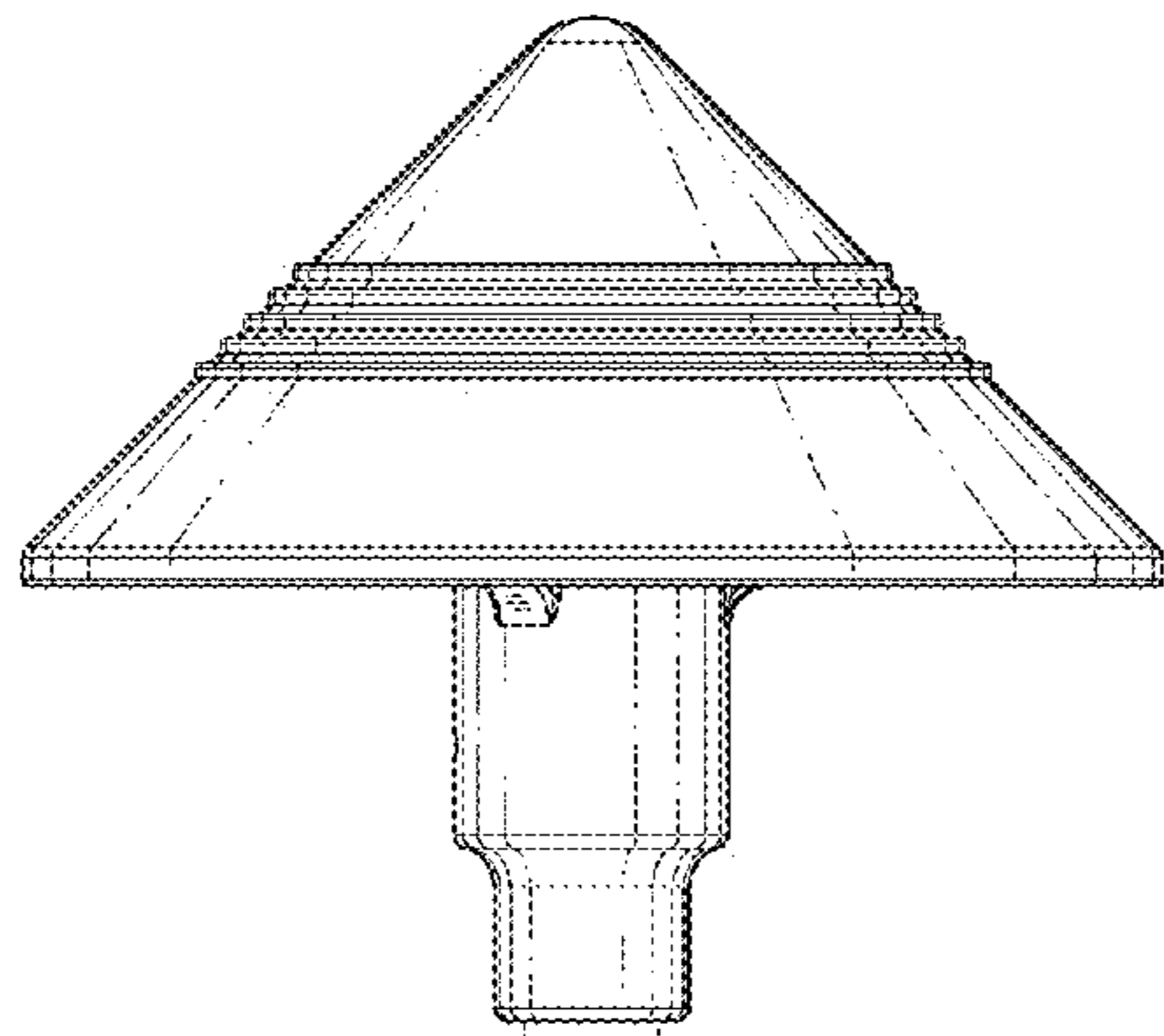


FIG. 3

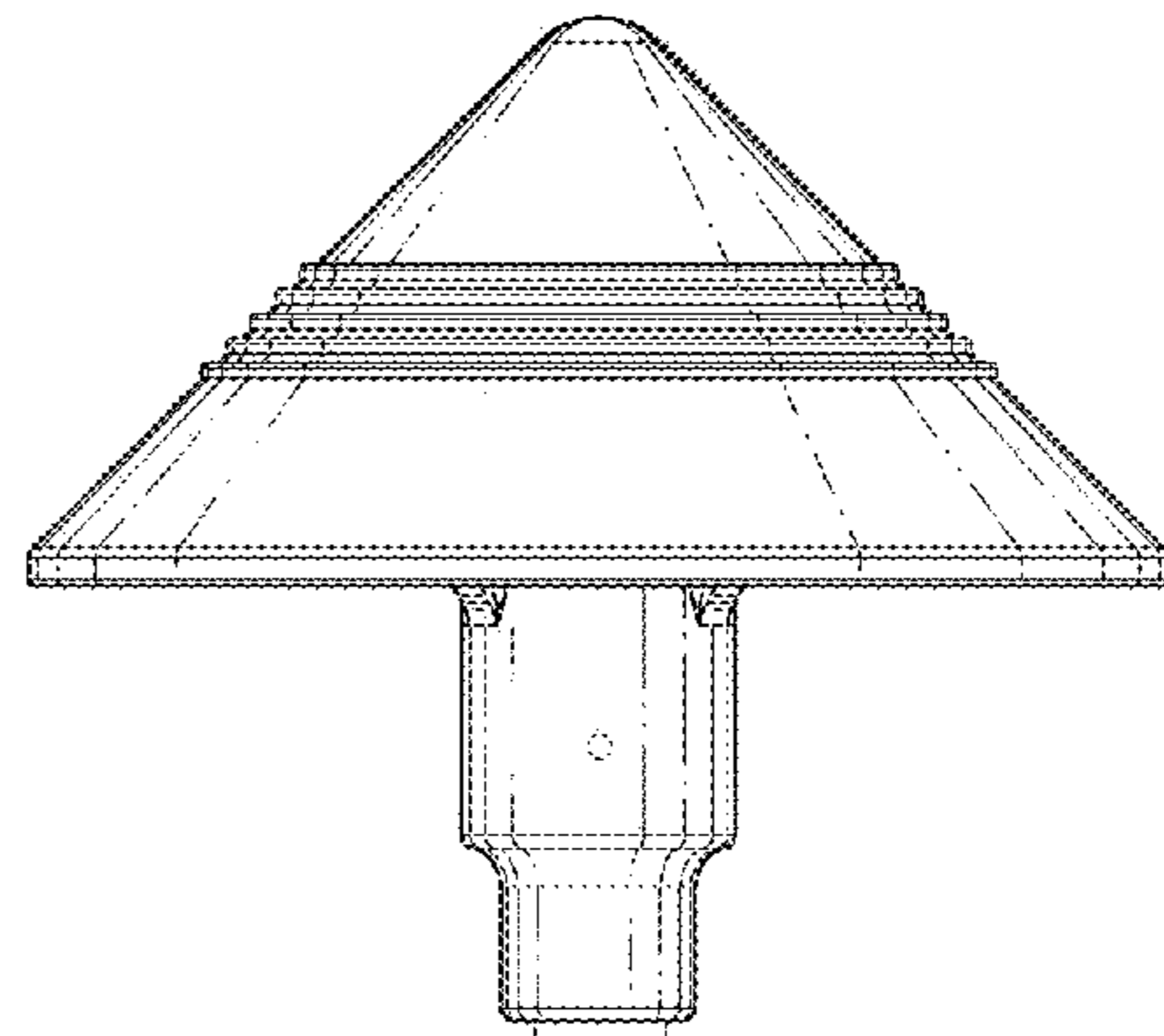


FIG. 4

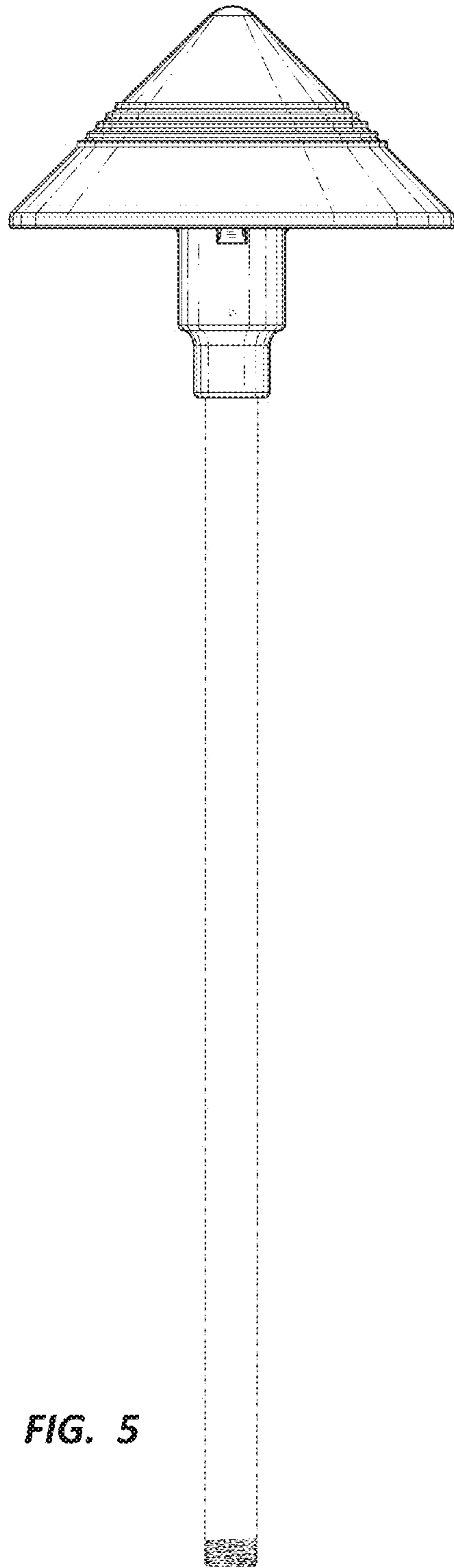


FIG. 5

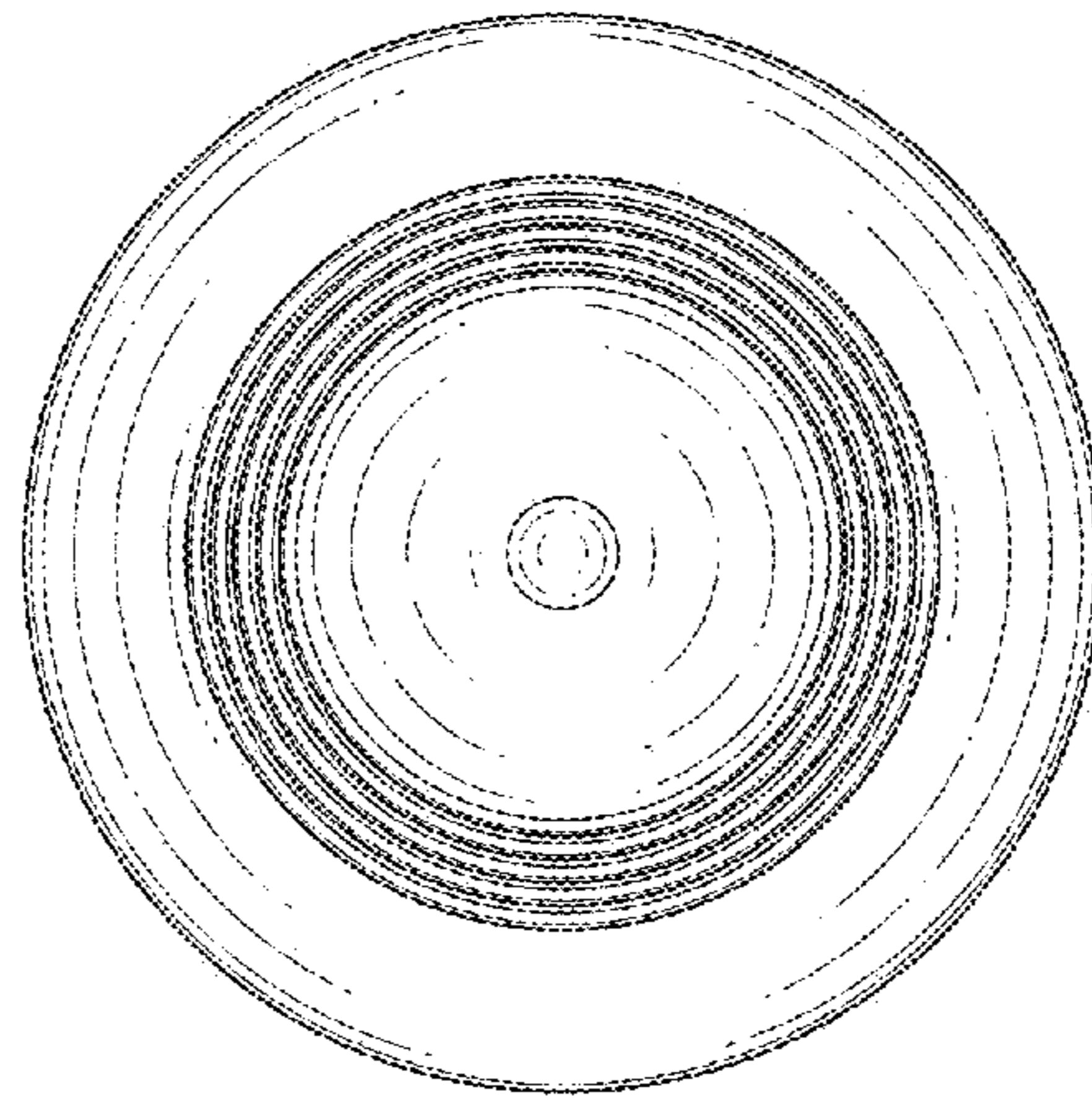


FIG. 6

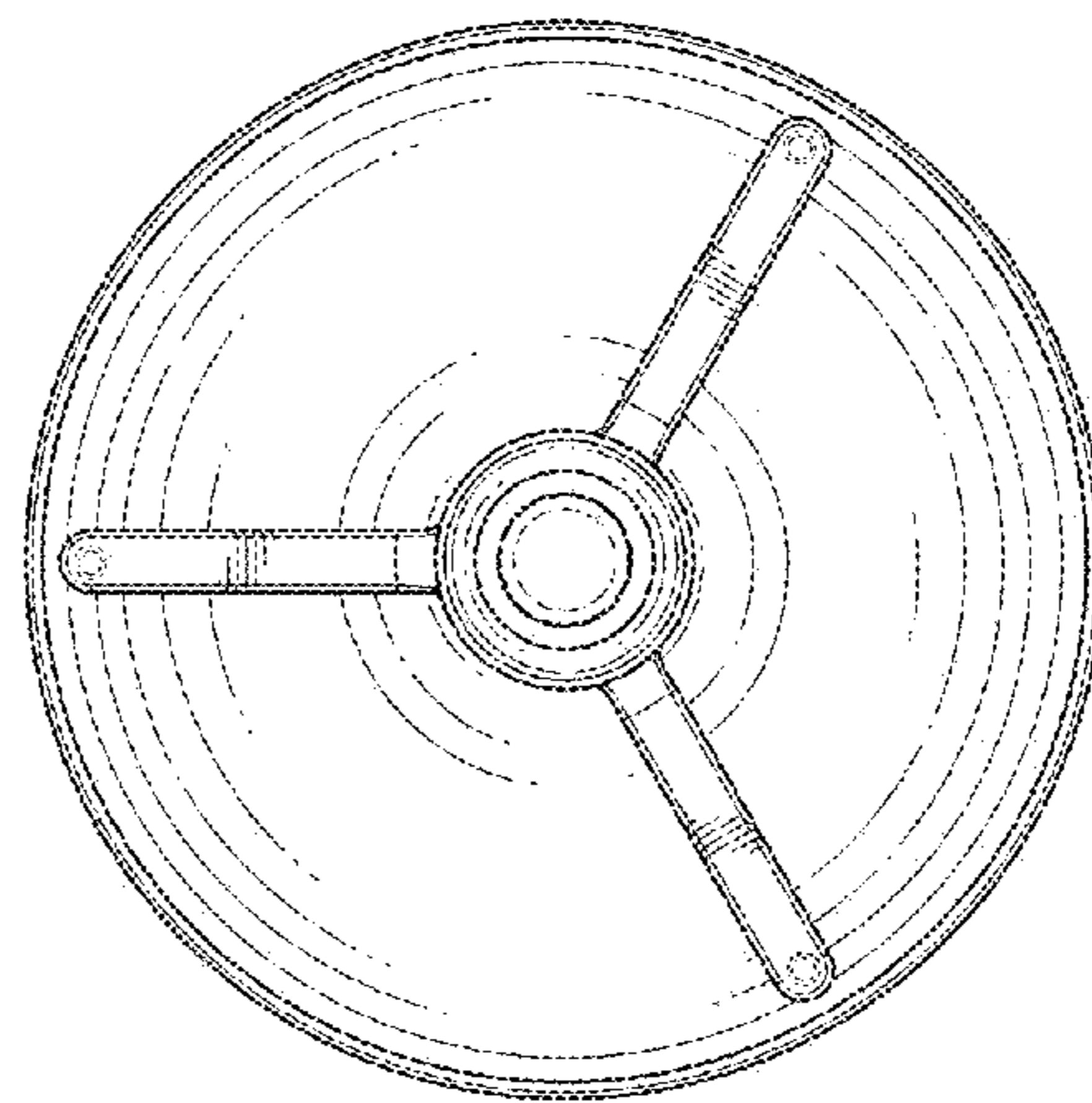


FIG. 7