



US00D672489S

(12) **United States Design Patent**
Chen

(10) **Patent No.:** **US D672,489 S**

(45) **Date of Patent:** **** Dec. 11, 2012**

(54) **LIGHT FIXTURE**

(75) Inventor: **Chi Gon Chen**, Guang Zhou (CN)

(73) Assignee: **International Development LLC**,
Roanoke, TX (US)

(**) Term: **14 Years**

(21) Appl. No.: **29/410,381**

(22) Filed: **Jan. 6, 2012**

(51) **LOC (9) Cl.** **26-05**

(52) **U.S. Cl.** **D26/67; D26/68**

(58) **Field of Classification Search** D26/67-71,
D26/85, 125, 128, 135; 347/147, 183, 431,
347/432

See application file for complete search history.

(56) **References Cited**

U.S. PATENT DOCUMENTS

D51,045 S * 7/1917 Mohrmann D26/67
D64,474 S * 4/1924 Roscoe D26/69
D64,695 S * 5/1924 Underwood D26/132

D68,616 S * 11/1925 Dill D26/68
D73,442 S * 9/1927 Rastetter D26/69
D75,395 S * 5/1928 Waggoner D26/70
D77,410 S * 1/1929 Harris D26/129
D300,670 S * 4/1989 Ewing et al. D26/67
D512,176 S * 11/2005 Flores D26/128

* cited by examiner

Primary Examiner — Clare E Heflin

(74) *Attorney, Agent, or Firm* — Brian Harris

(57) **CLAIM**

The ornamental design for a light fixture, as shown and described.

DESCRIPTION

FIG. 1 is a perspective view of a light fixture showing my new design;

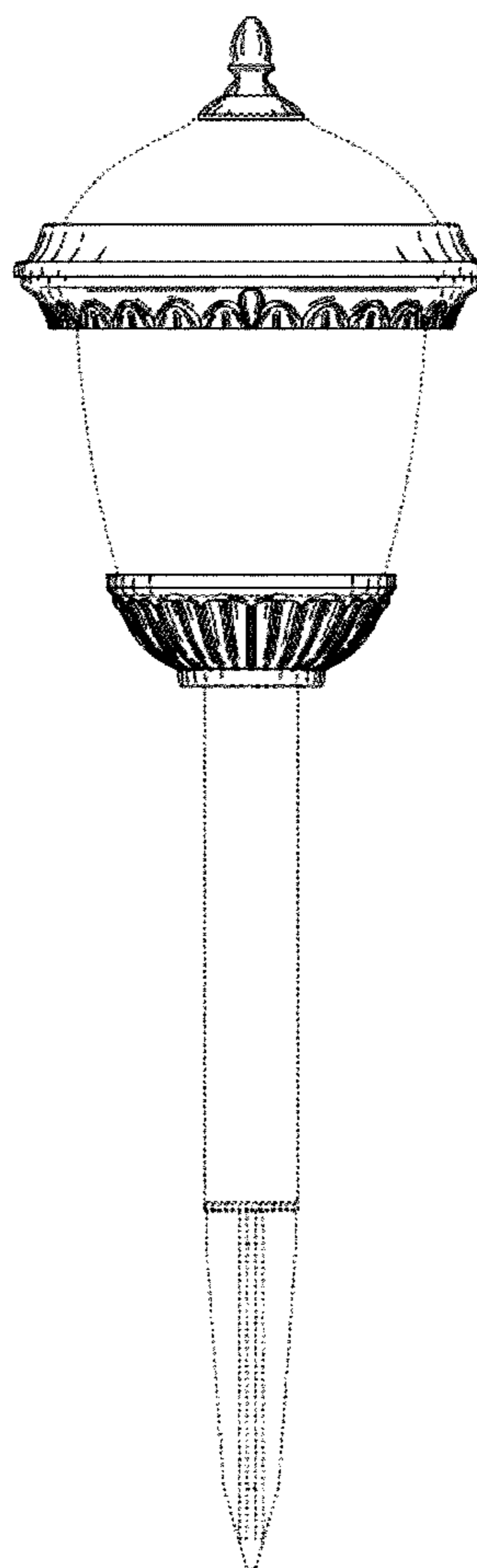
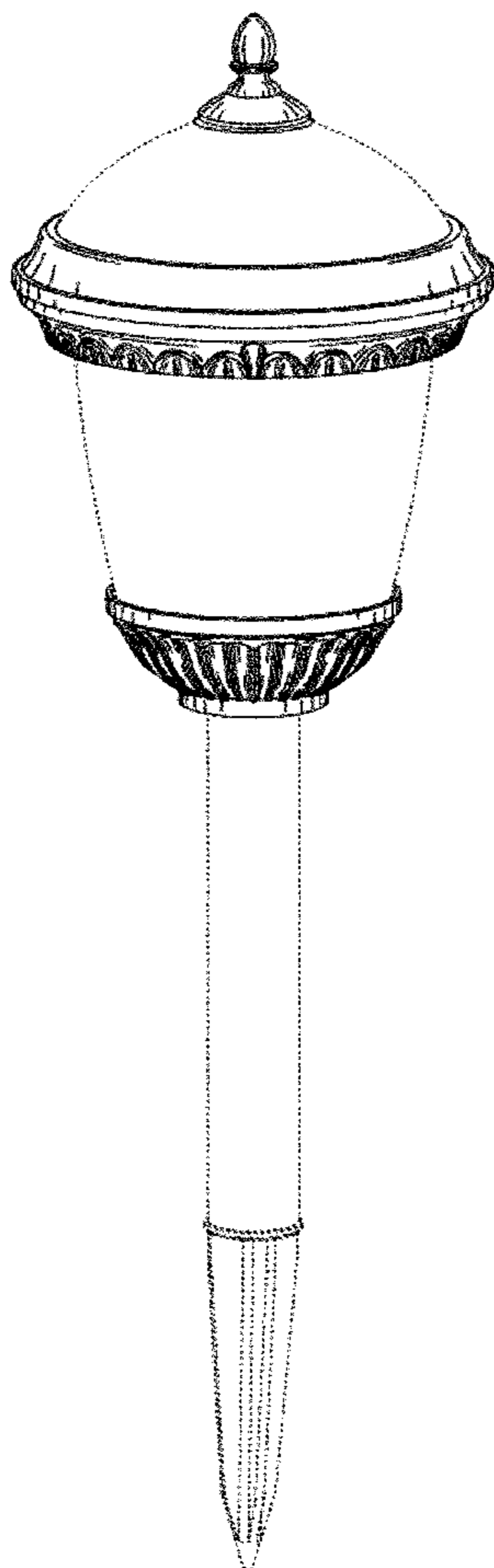
FIG. 2 is a front view thereof, the right side, left side, and back views being identical thereto;

FIG. 3 is a top view thereof; and,

FIG. 4 is a bottom view thereof.

The broken lines form no part of the claimed design.

1 Claim, 2 Drawing Sheets



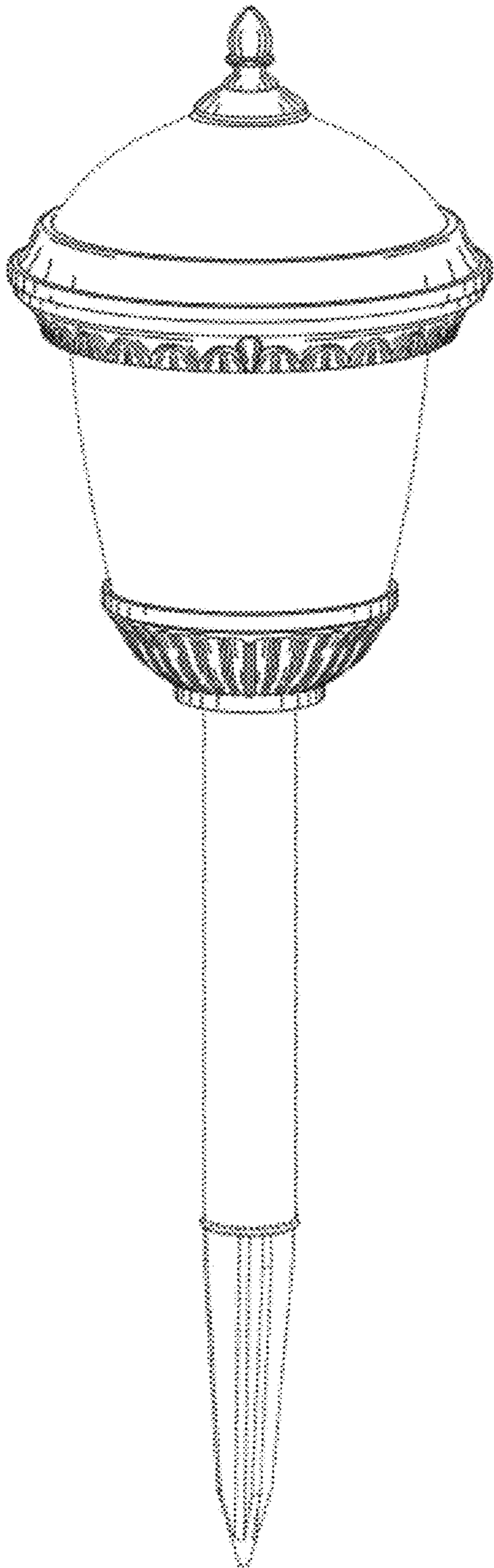


FIG. 1

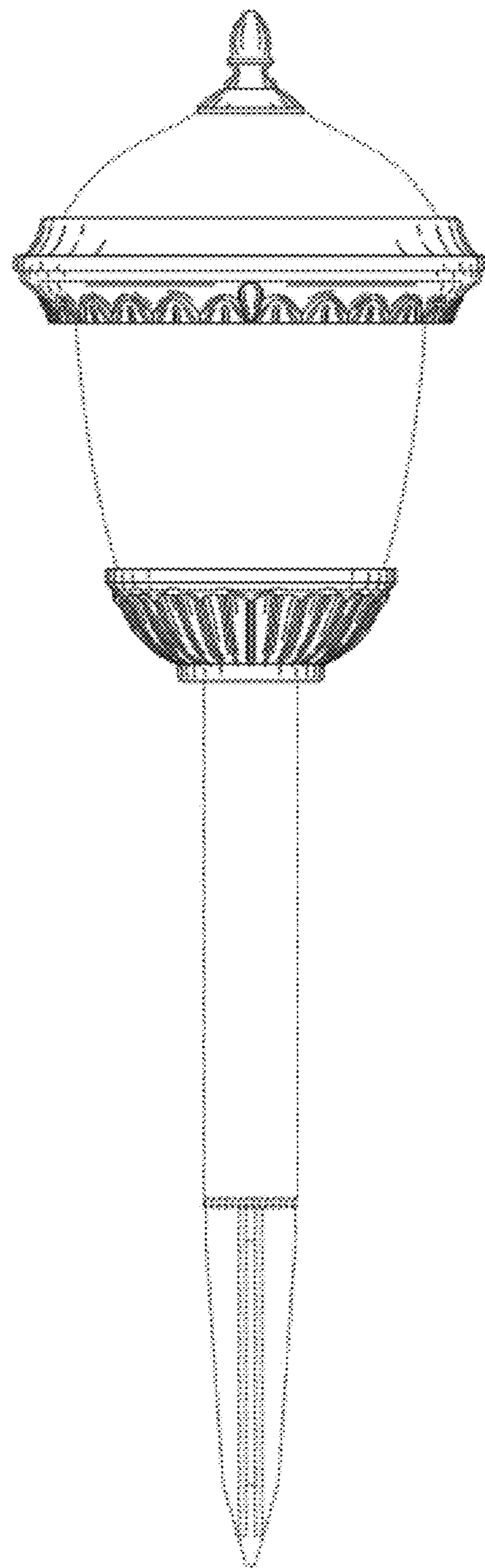


FIG. 2

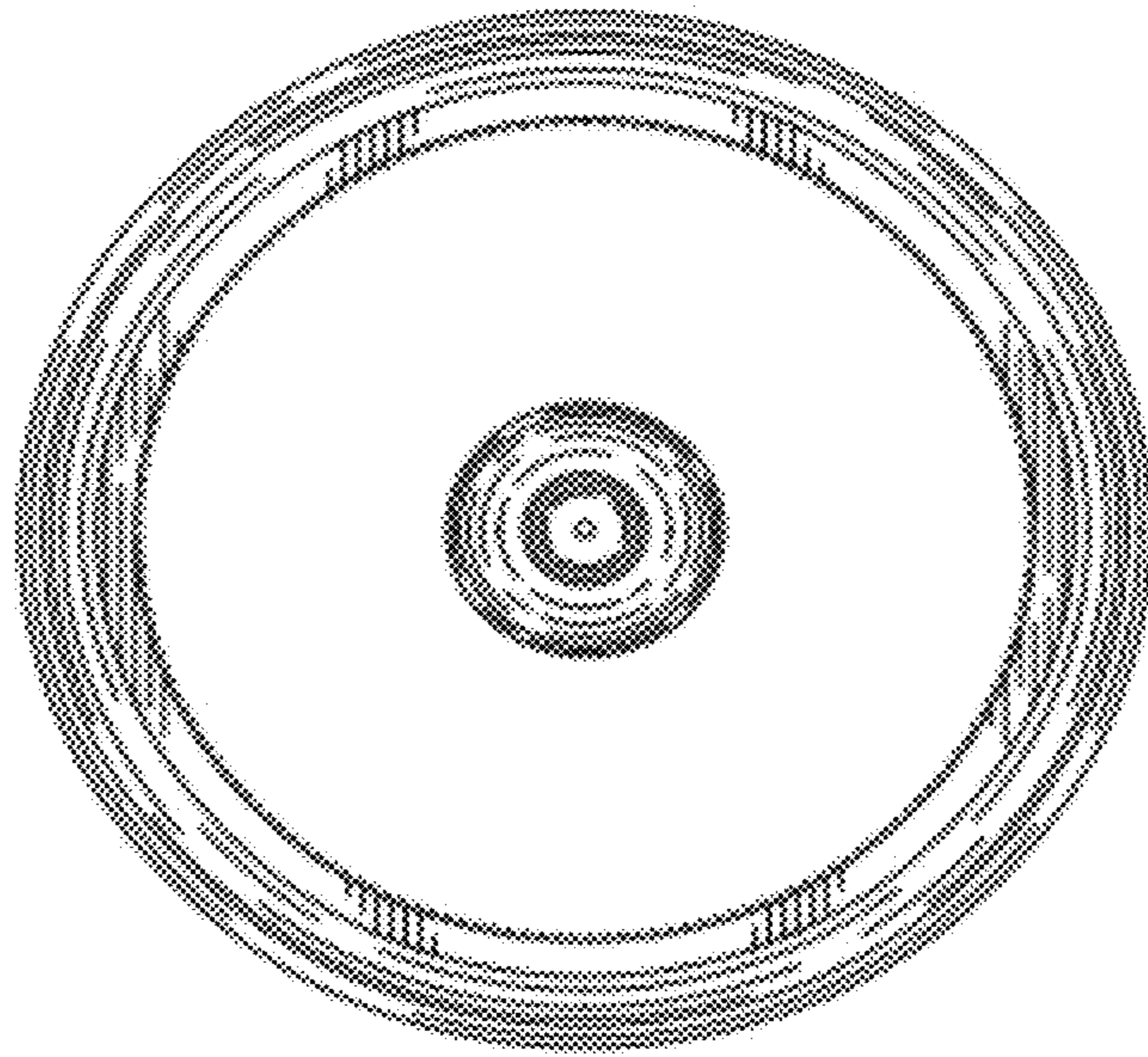


FIG. 3

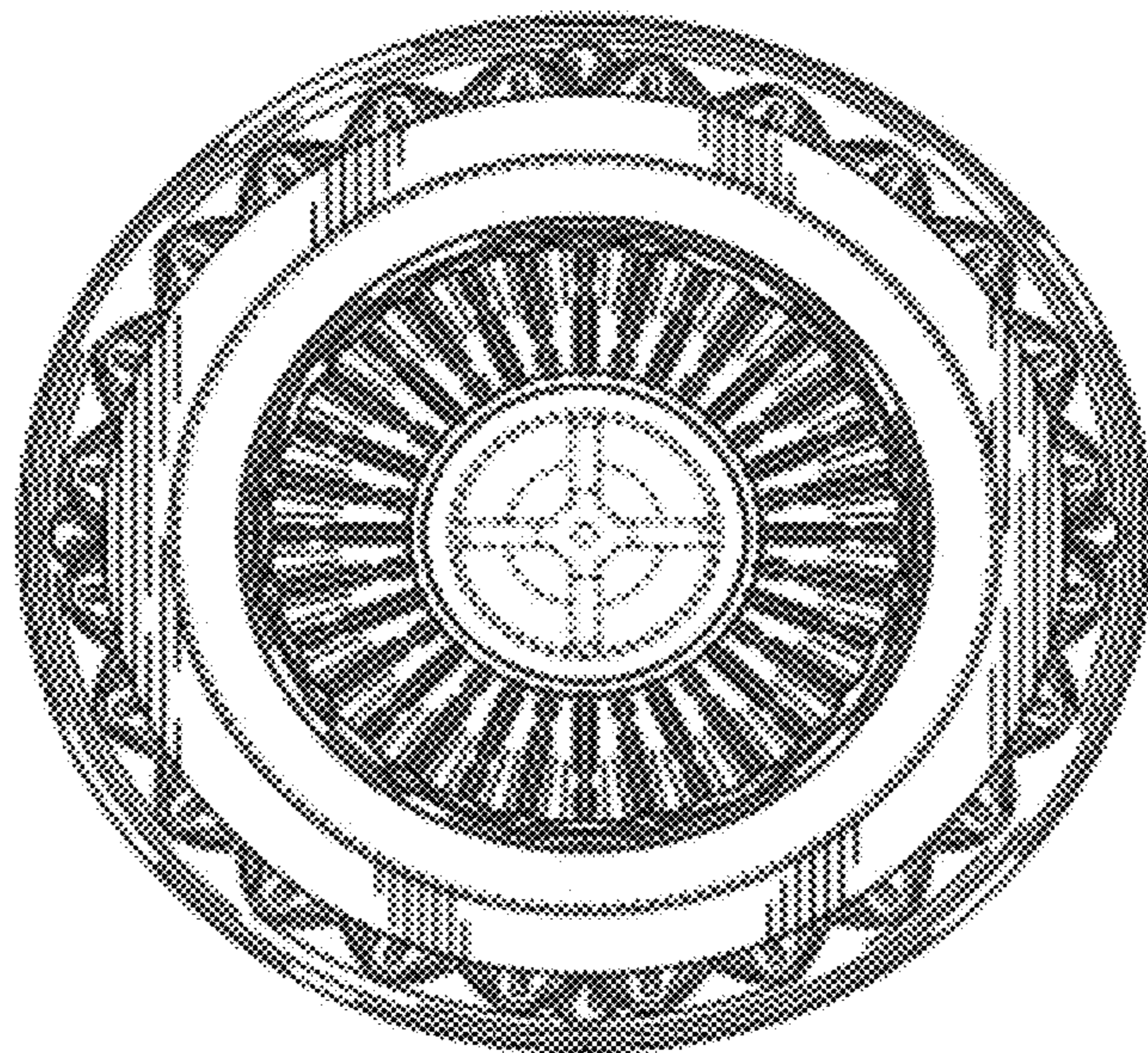


FIG. 4