



US00D672485S

(12) **United States Design Patent**
Chen

(10) **Patent No.:** **US D672,485 S**

(45) **Date of Patent:** **** Dec. 11, 2012**

(54) **LIGHT FIXTURE**

(75) Inventor: **Chi Gon Chen**, Guang Zhou (CN)

(73) Assignee: **International Development LLC**,
Roanoke, TX (US)

(**) Term: **14 Years**

(21) Appl. No.: **29/407,454**

(22) Filed: **Nov. 29, 2011**

(51) **LOC (9) Cl.** **26-05**

(52) **U.S. Cl.** **D26/67; D26/68**

(58) **Field of Classification Search** D26/67-71,
D26/85, 125, 128, 135; 347/147, 183, 431,
347/432

See application file for complete search history.

(56) **References Cited**

U.S. PATENT DOCUMENTS

D8,297 S *	4/1875	Tweeddale	D26/68
D31,745 S *	10/1899	Shaw et al.	D26/67
D63,164 S *	10/1923	Ohm	D26/67
D63,560 S *	12/1923	Kinney	D26/68
D64,474 S *	4/1924	Roscoe	D26/69
D64,695 S *	5/1924	Underwood	D26/132
1,505,559 A *	8/1924	Grant	362/355

D72,587 S *	5/1927	Barkschat	D26/70
D77,410 S *	1/1929	Harris	D26/129
D100,102 S *	6/1936	Halvorson	D26/85
D476,768 S *	7/2003	Sooferian	D26/67
D512,176 S *	11/2005	Flores	D26/128
D557,851 S *	12/2007	Chen	D26/67

* cited by examiner

Primary Examiner — Clare E Heflin

(74) *Attorney, Agent, or Firm* — Brian Harris

(57) **CLAIM**

The ornamental design for a light fixture, as shown and described.

DESCRIPTION

FIG. 1 is a perspective view of a light fixture showing my new design;

FIG. 2 is a front view thereof, the right side, left side, and back views being identical thereto;

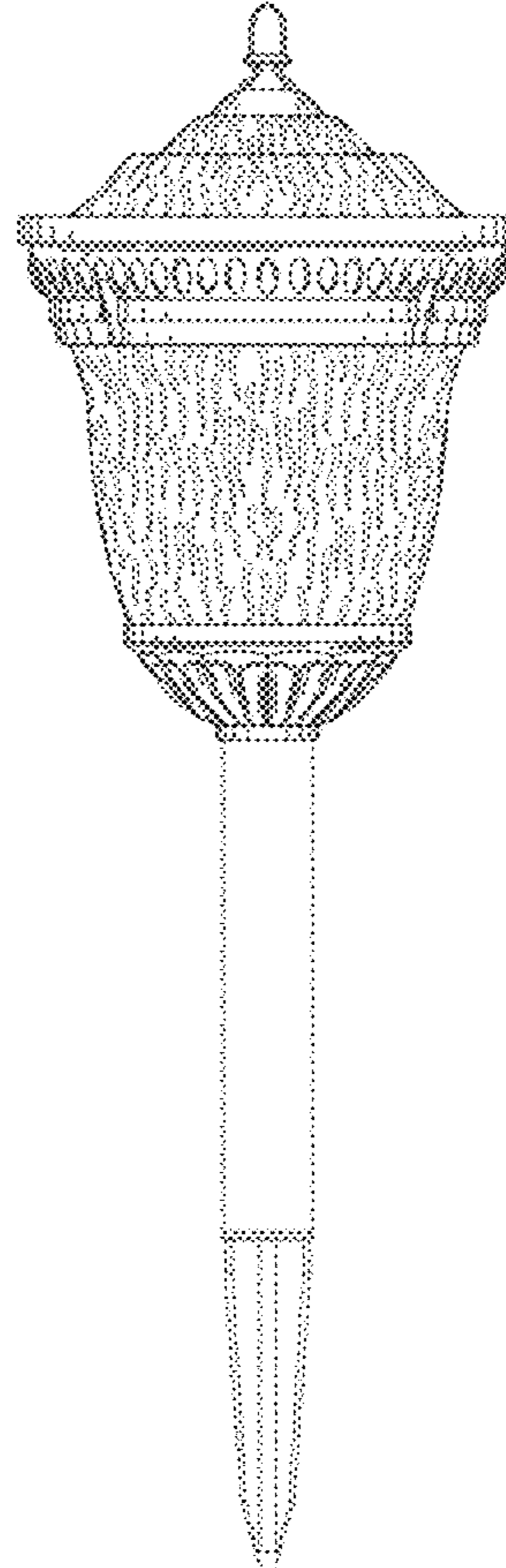
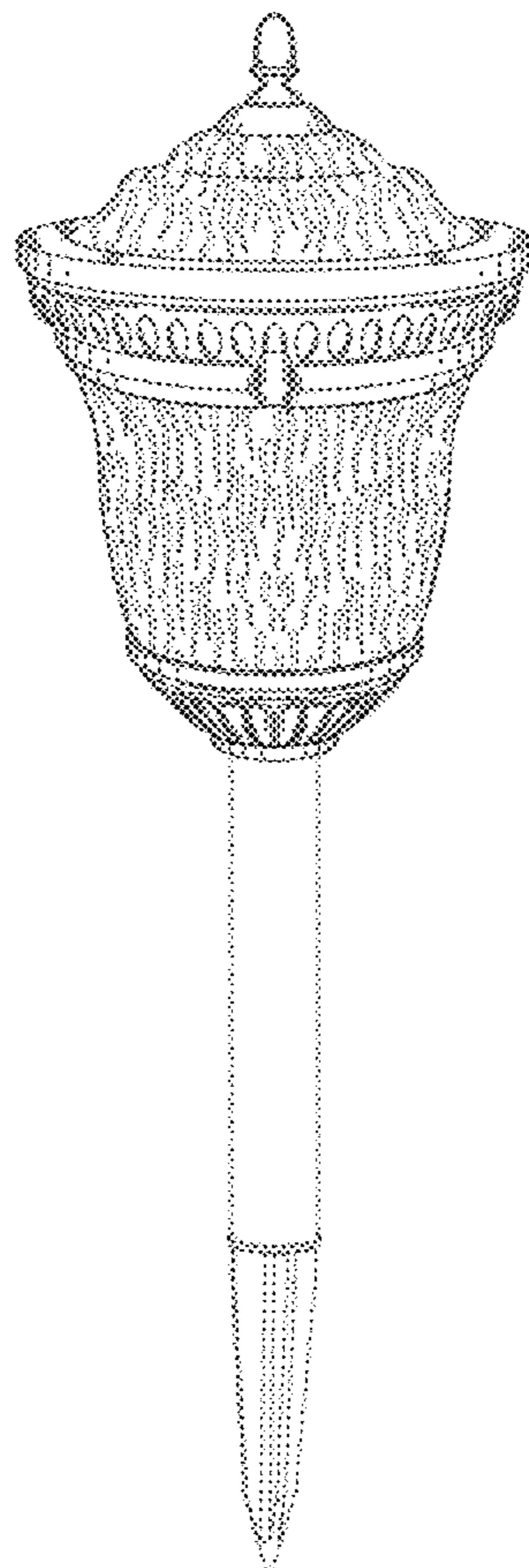
FIG. 3 is a side view thereof rotated about its central vertical axis approximately 45 degrees from the position shown in FIG. 2;

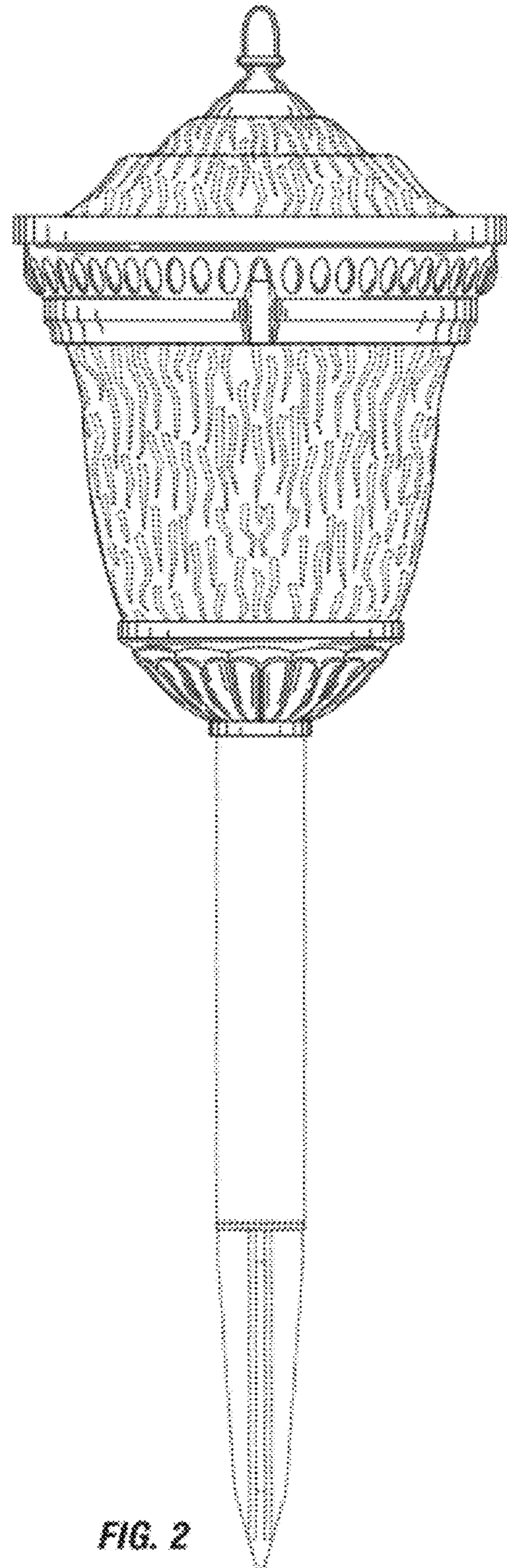
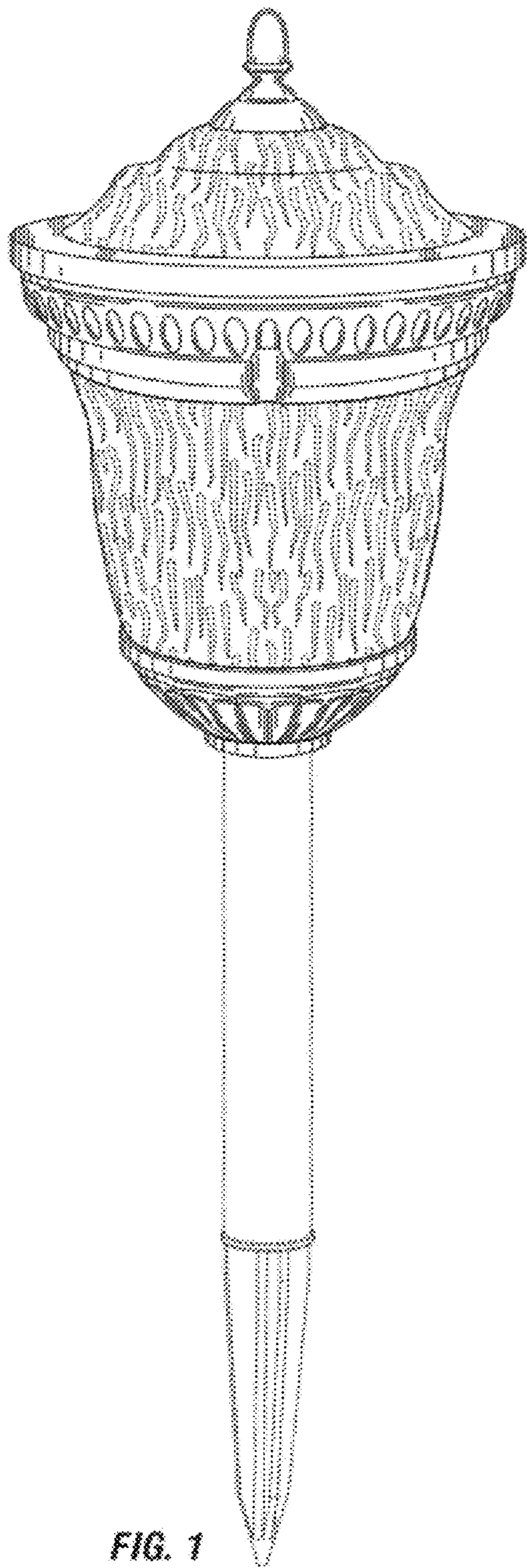
FIG. 4 is a top view thereof; and,

FIG. 5 is a bottom view thereof.

The broken lines form no part of the claimed design.

1 Claim, 2 Drawing Sheets





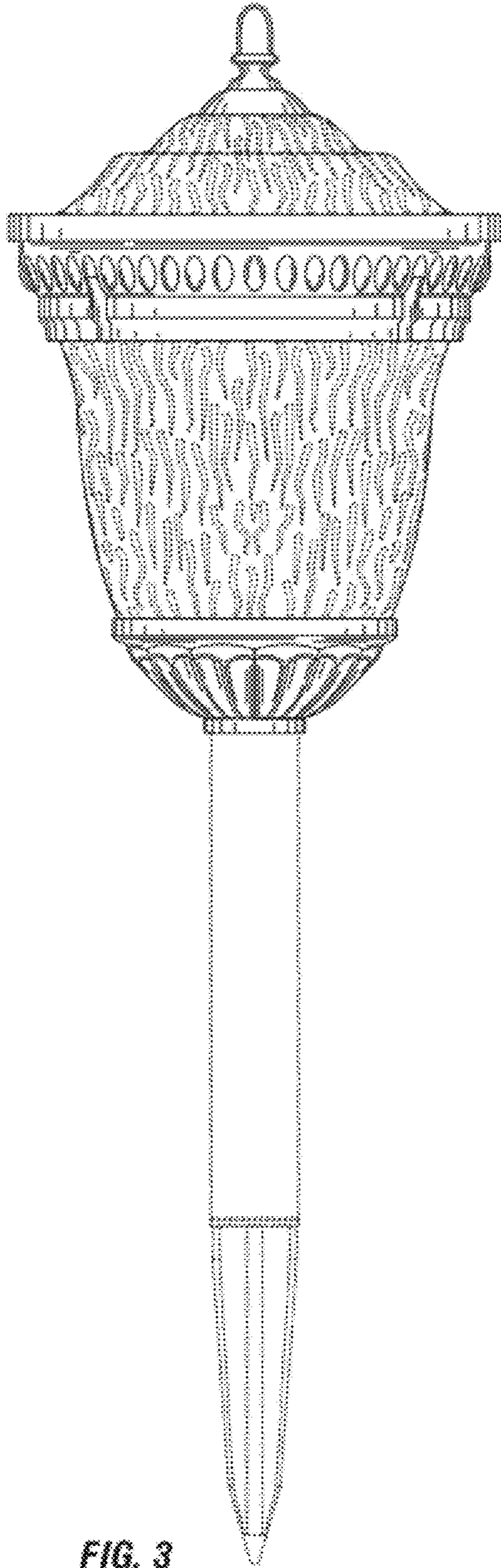


FIG. 3

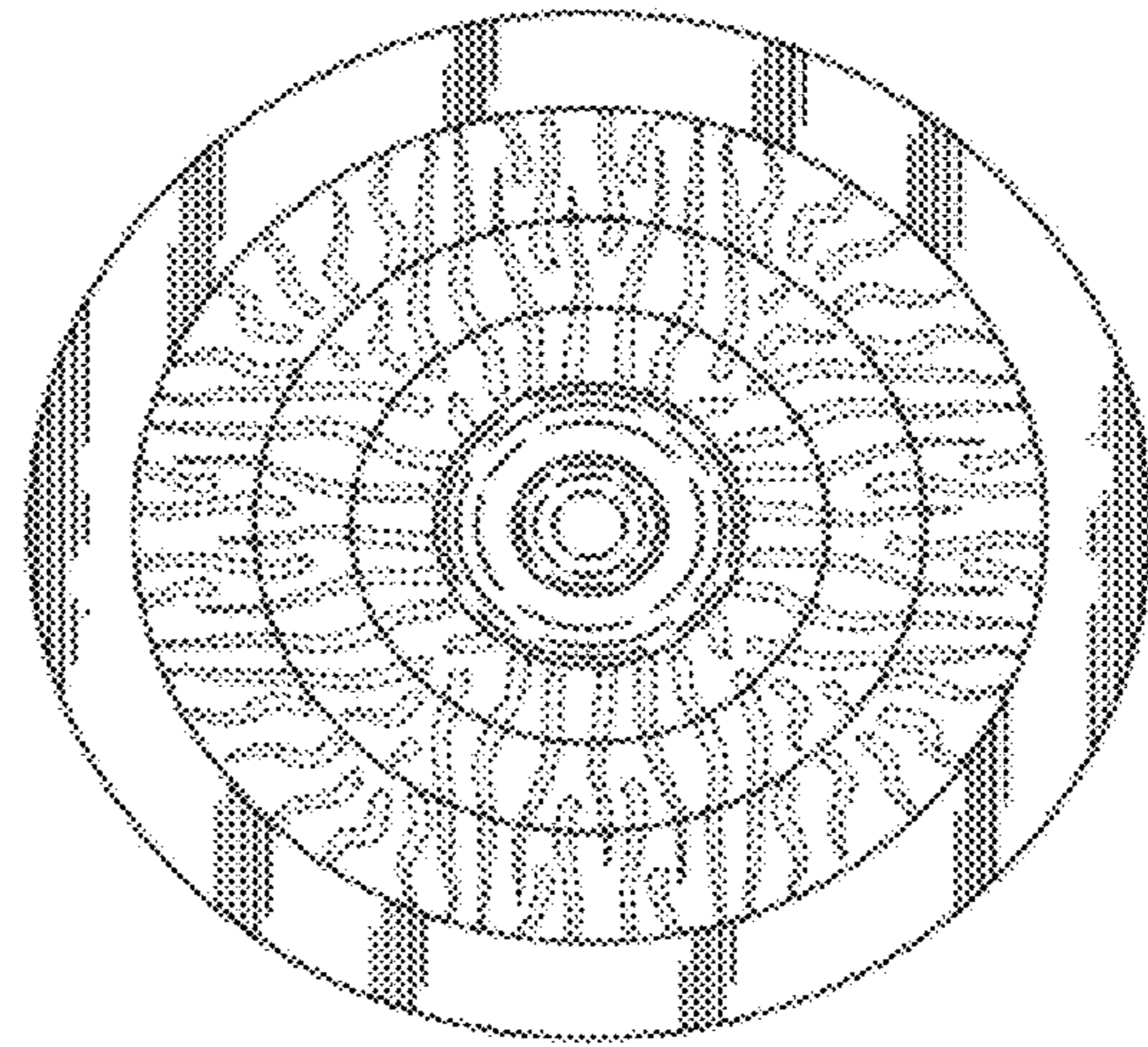


FIG. 4

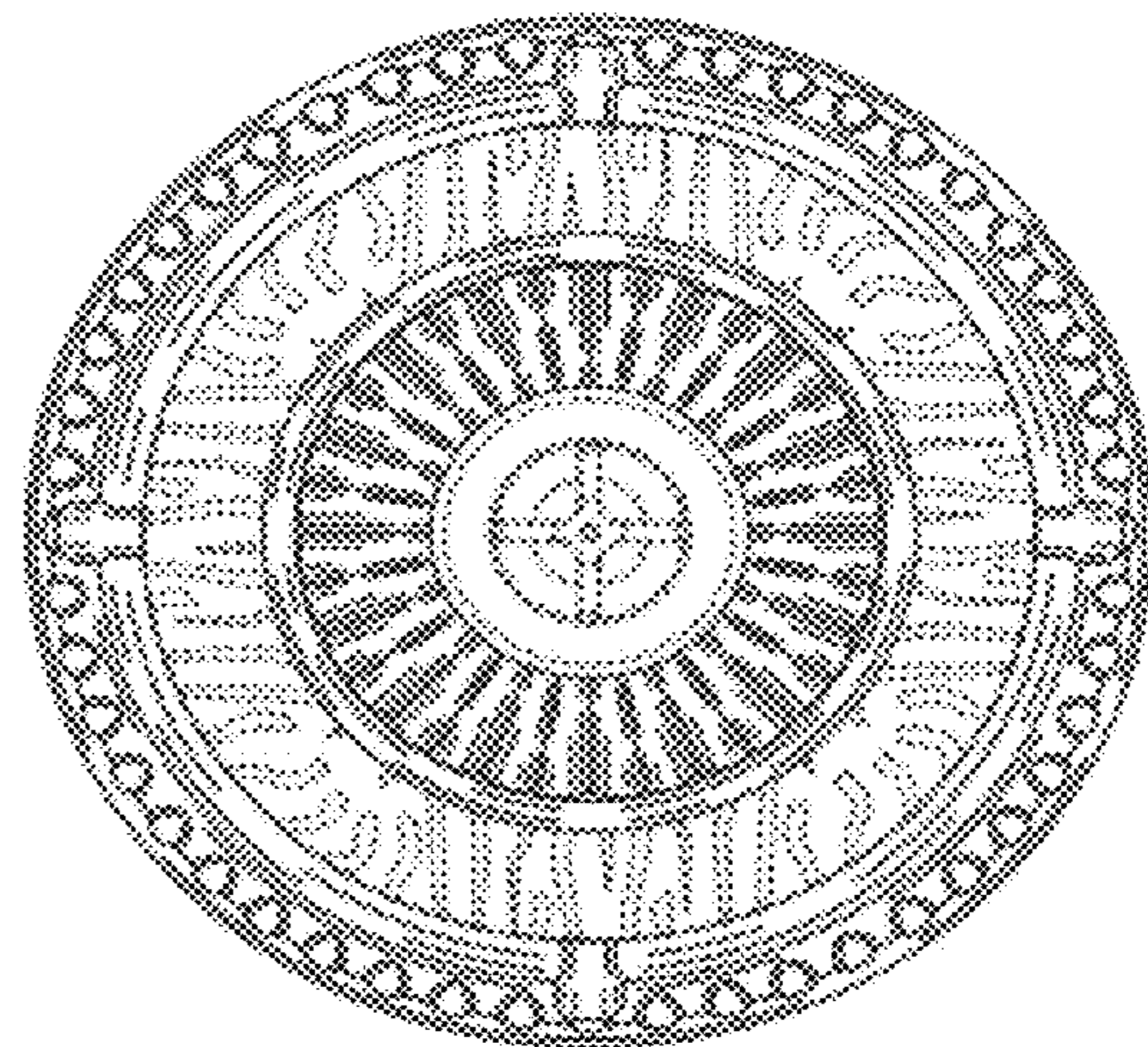


FIG. 5